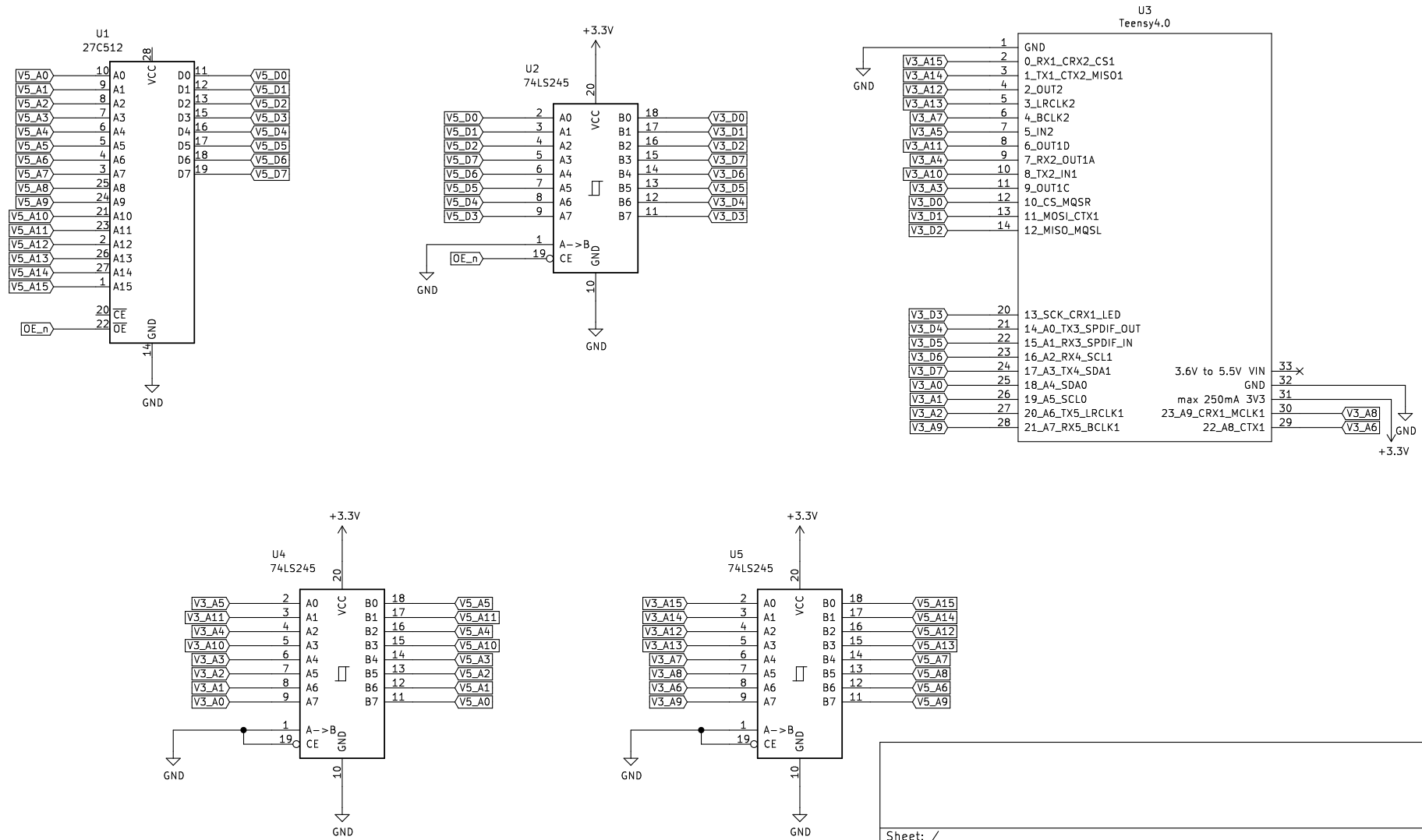


MicroCore Labs – ROM Emulator



Sheet: /	
File: ROM_Emulator.sch	
Title:	
Size: A4	Date:
KiCad E.D.A. kicad (5.1.8)-1	Rev: id: 1/1