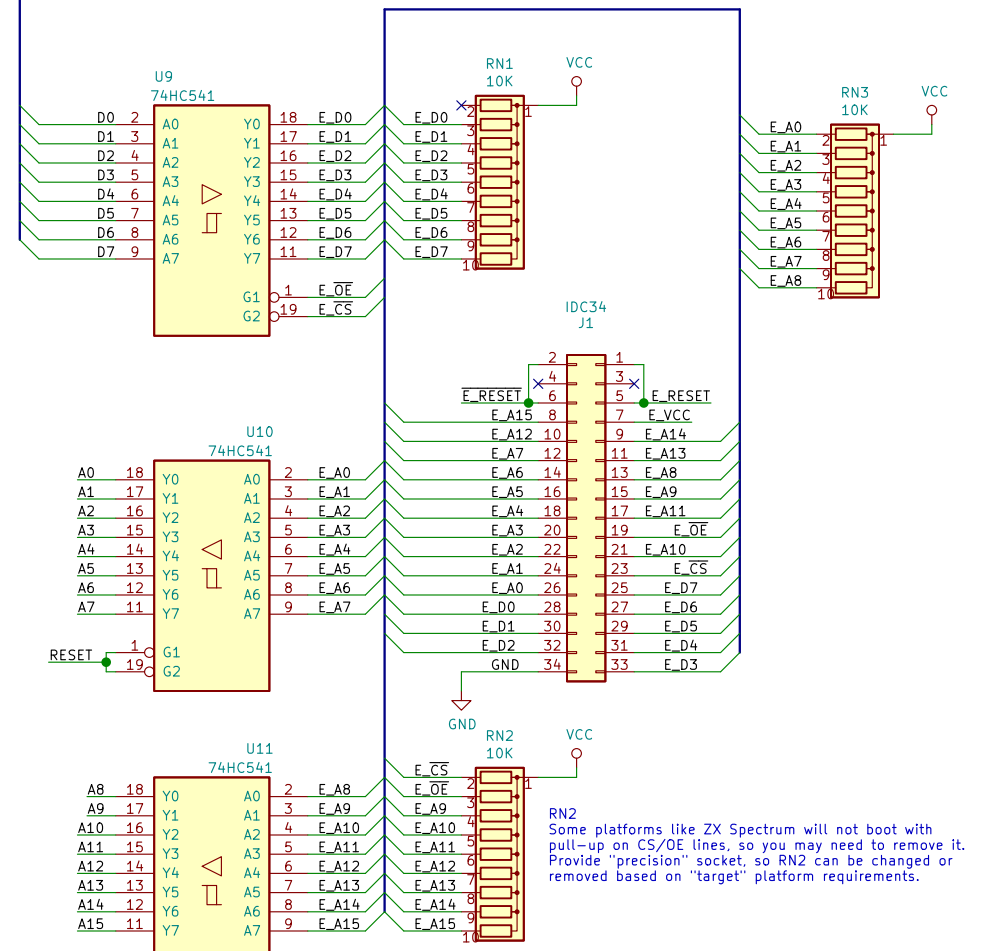
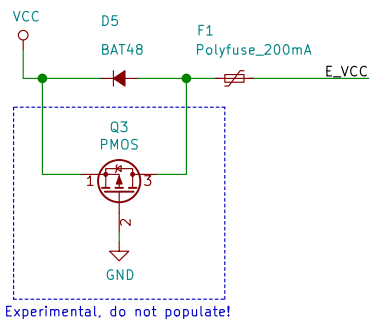
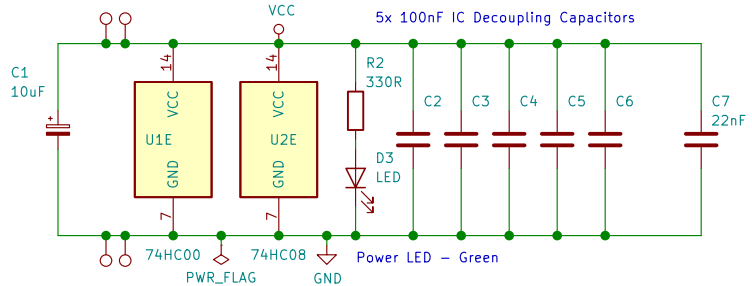
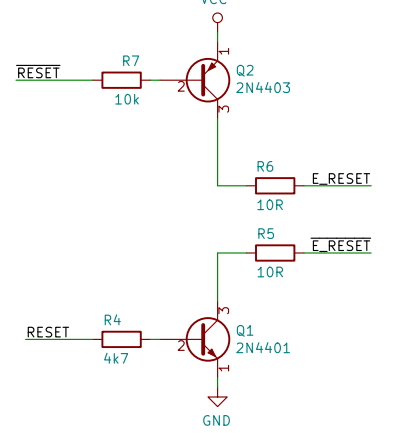


RN1, RN3 – optional. If populated, use "precision" sockets so RN1-3 can be changed based on "target" platform requirements.



RN2 Some platforms like ZX Spectrum will not boot with pull-up on CS/OE lines, so you may need to remove it. Provide "precision" socket, so RN2 can be changed or removed based on "target" platform requirements.



Experimental, do not populate!

