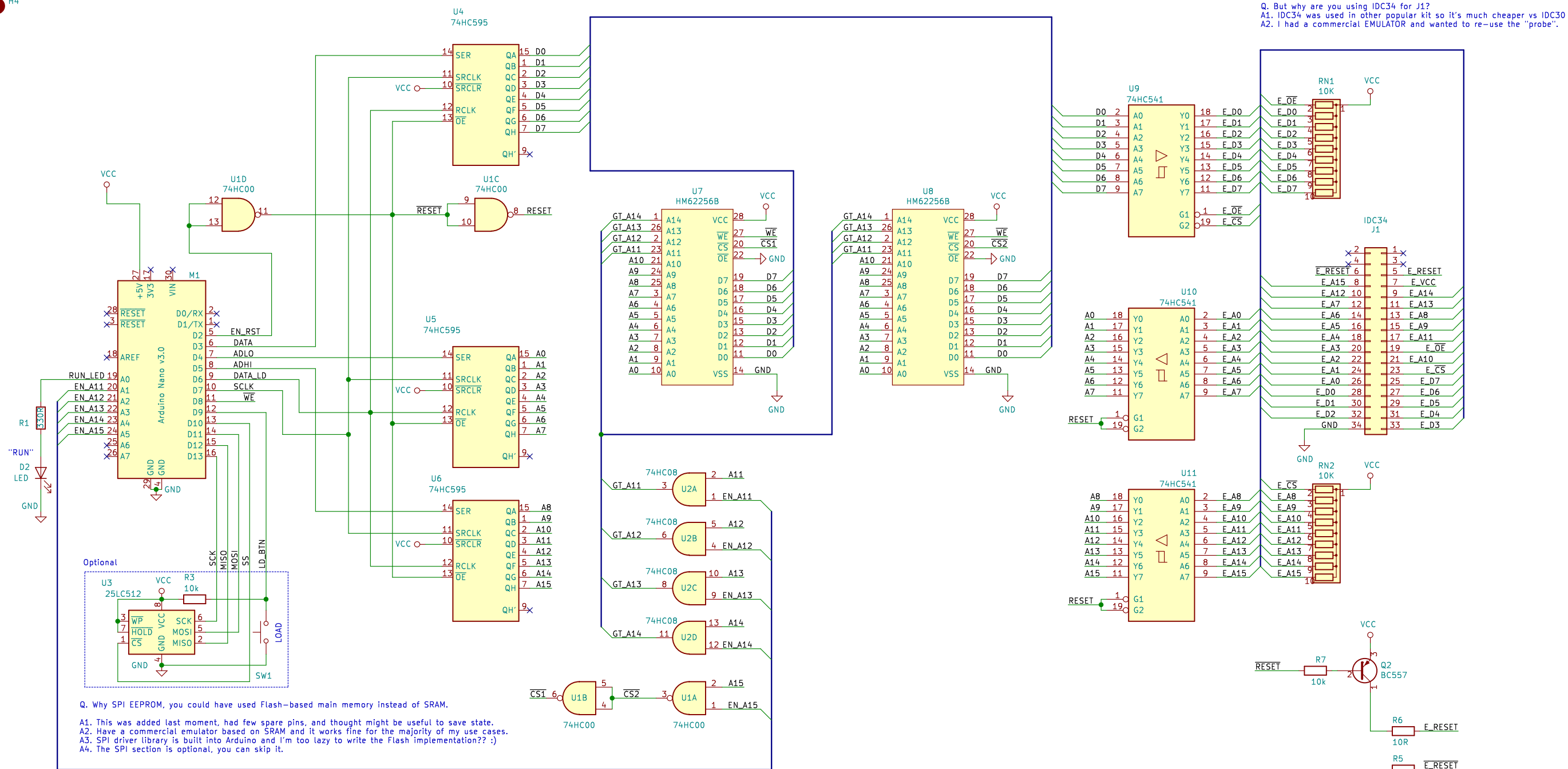
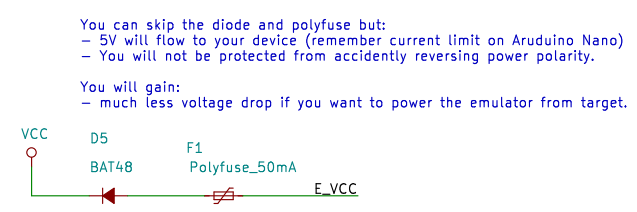
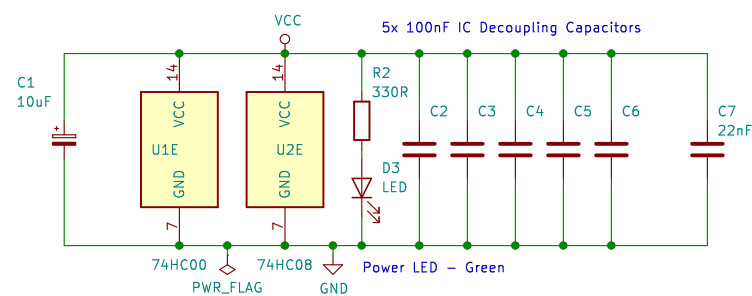


H1 H2 H3 H4
Mounting Holes



Q. But why are you using IDC34 for J1?
 A1. IDC34 was used in other popular kit so it's much cheaper vs IDC30
 A2. I had a commercial EMULATOR and wanted to re-use the "probe".



Some RESET circuits are tricky to trigger with just a transistor, in that case, use a small relay and drive it with this transistor (don't forget about extra protection diode if it's not built into the relay already).

