

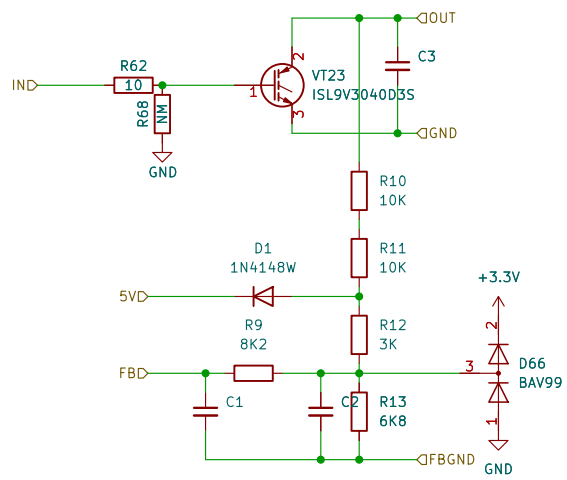
rusEF1

Sheet: /OD 2A30/
File: OD_2A.kicad_sch

Title: s105

Size: A3 Date:
KiCad E.D.A. kicad (6.0.8)

Rev: 0.1
Id: 2/35



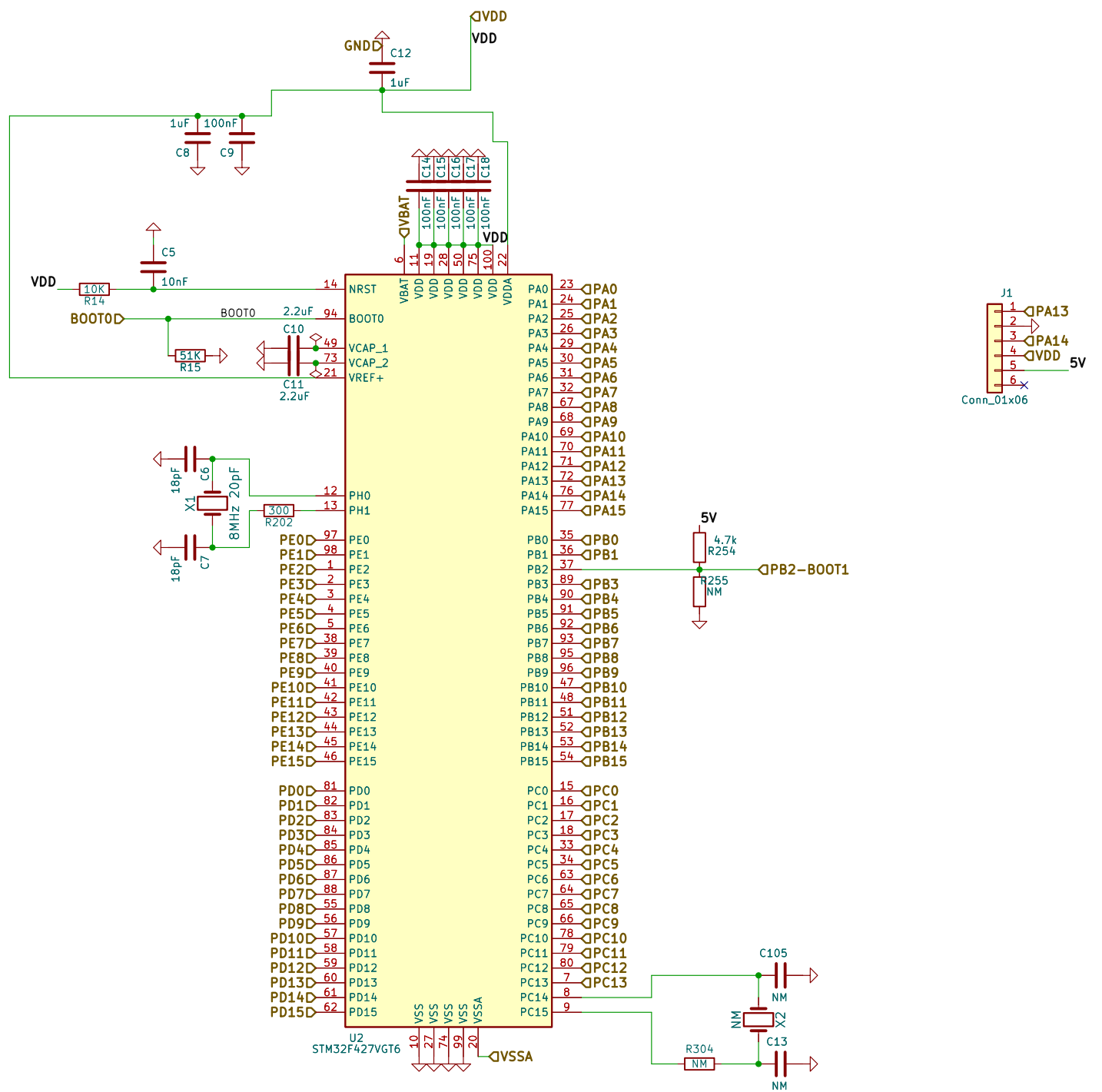
rusEFI

Sheet: /IGN driver/
File: ign_out.kicad_sch

Title: s105

Size: A3 Date:
KiCad E.D.A. kicad (6.0.8)

Rev: 0.1
Id: 3/35



<http://www.crystek.com/documents/appnotes/Pierce-GateIntroduction.pdf>
 PCB per predictions with SaturnPCB has less than 3.5pF traces.
 STM32 pins assumed 5pF
 ESR = 80ohms max???
 Rf = 2meg could be between 1meg and 10meg.
 Cload should be 8pF per XTAL datasheet
 $Cload = \frac{((Cin+C1)(C2+Cout))}{(Cin+C1+C2_Cout)+PCBstray}$
 $Cload = \frac{((5+4.7)(4.7+5))}{(5+4.7+4.7+5)+3.5} = 8.35pF$
 $C1=C2=C166=C167 = 4.7pF$
 $Rs = 1/(2\pi f C2) = 1/(2\pi * 8MHz * 4.7pF) = 4.2ohms.$

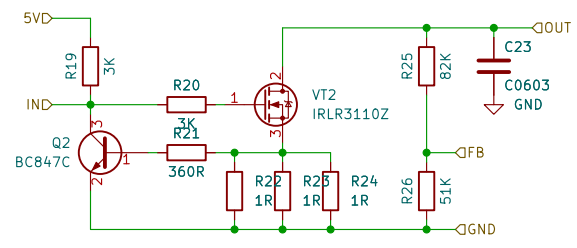
AI60D
 Donald Becker
rusEFI

Sheet: /MCU/
 File: stm32.kicad_sch

Title: s105

Size: A3 Date: 2022-04-10
 KiCad E.D.A. kicad (6.0.8)

Rev: 0.1
 Id: 4/35



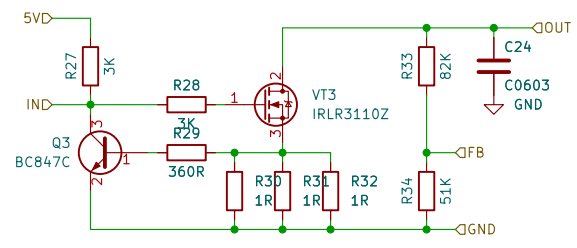
rusEF1

Sheet: /OD 2A1/
File: OD_2A.kicad_sch

Title: s105

Size: A3 Date:
KiCad E.D.A. kicad (6.0.8)

Rev: 0.1
Id: 5/35



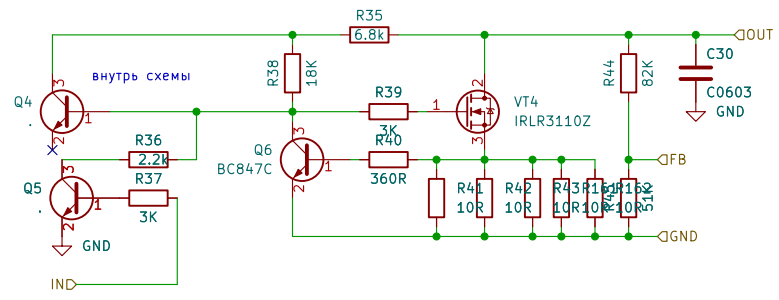
rusEFl

Sheet: /OD_2A2/
File: OD_2A.kicad_sch

Title: s105

Size: A3 Date:
KiCad E.D.A. kicad (6.0.8)

Rev: 0.1
Id: 6/35



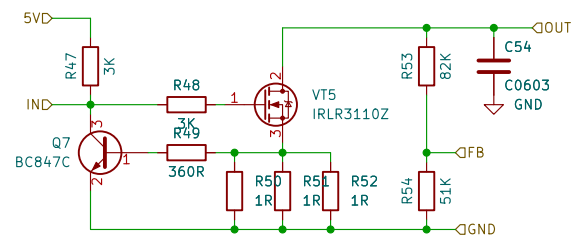
rusEFI

Sheet: /OD 2A3/
File: OD_2A_4.kicad_sch

Title: s105

Size: A3 Date:
KiCad E.D.A. kicad (6.0.8)

Rev: 0.1
Id: 7/35



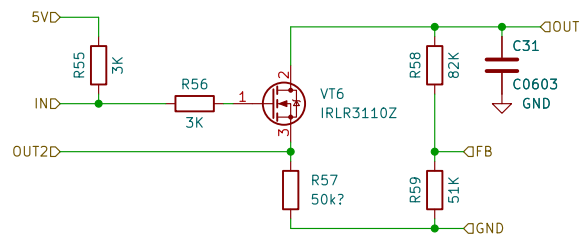
rusEF1

Sheet: /OD_2A4/
File: OD_2A.kicad_sch

Title: s105

Size: A3 Date:
KiCad E.D.A. kicad (6.0.8)

Rev: 0.1
Id: 8/35



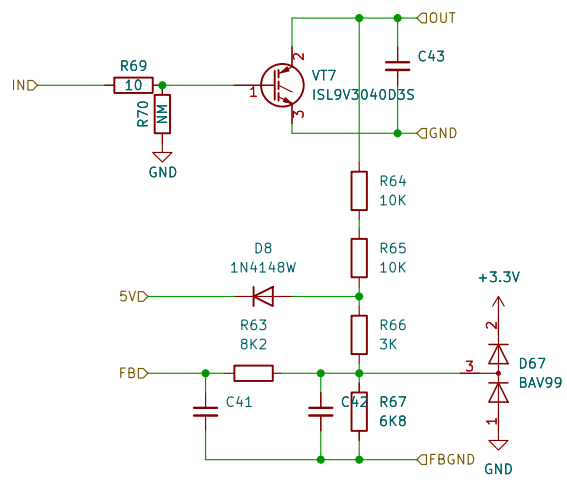
rusEFI

Sheet: /OD 2A5/
File: OD_2A_3.kicad_sch

Title: s105

Size: A3 Date:
KiCad E.D.A. kicad (6.0.8)

Rev: 0.1
Id: 9/35



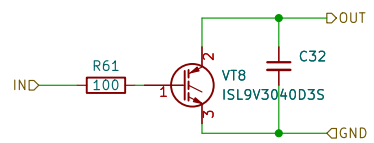
rusEFI

Sheet: /IGN driver1/
File: ign_out.kicad_sch

Title: s105

Size: A3 Date:
KiCad E.D.A. kicad (6.0.8)

Rev: 0.1
Id: 10/35



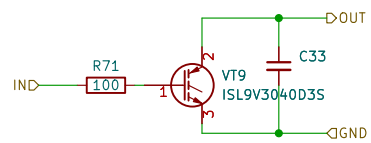
rusEFI

Sheet: /IGN driver2/
File: ign_out_NM.kicad_sch

Title: s105

Size: A3 Date:
KiCad E.D.A. kicad (6.0.8)

Rev: 0.1
Id: 11/35



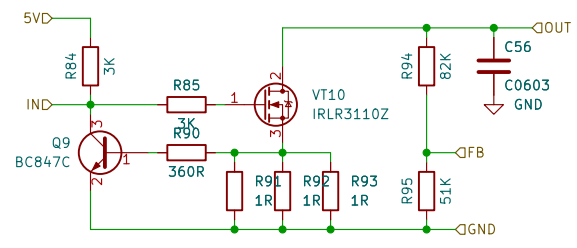
rusEFI

Sheet: /IGN driver3/
File: ign_out_NM.kicad_sch

Title: s105

Size: A3 Date:
KiCad E.D.A. kicad (6.0.8)

Rev: 0.1
Id: 12/35



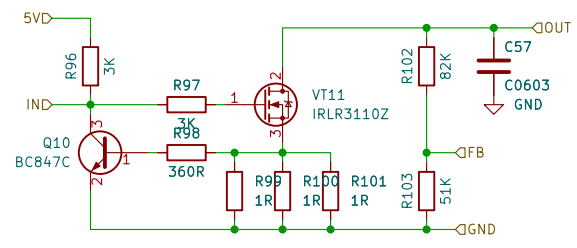
rusEF1

Sheet: /OD 2A7/
File: OD_2A.kicad_sch

Title: s105

Size: A3 Date:
KiCad E.D.A. kicad (6.0.8)

Rev: 0.1
Id: 13/35



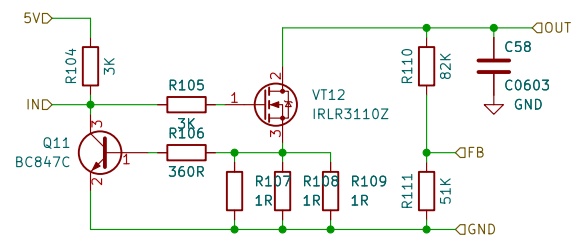
rusEFl

Sheet: /OD 2A8/
File: OD_2A.kicad_sch

Title: s105

Size: A3 Date:
KiCad E.D.A. kicad (6.0.8)

Rev: 0.1
Id: 14/35



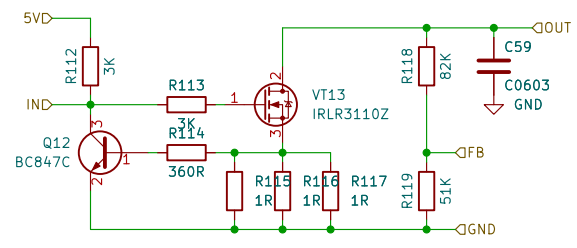
rusEFI

Sheet: /OD 2A9/
File: OD_2A.kicad_sch

Title: s105

Size: A3 Date:
KiCad E.D.A. kicad (6.0.8)

Rev: 0.1
Id: 15/35



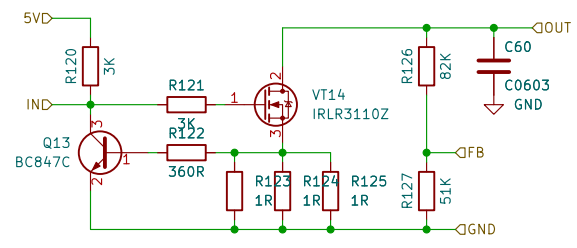
rusEFI

Sheet: /OD 2A10/
File: OD_2A.kicad_sch

Title: s105

Size: A3 Date:
KiCad E.D.A. kicad (6.0.8)

Rev: 0.1
Id: 16/35



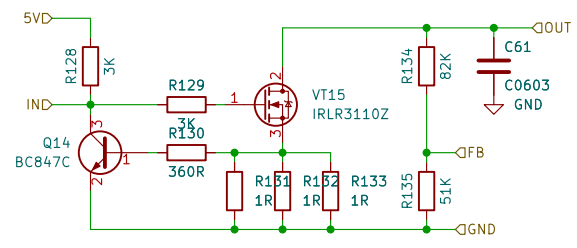
rusEFI

Sheet: /OD 2A11/
File: OD_2A.kicad_sch

Title: s105

Size: A3 Date:
KiCad E.D.A. kicad (6.0.8)

Rev: 0.1
Id: 17/35



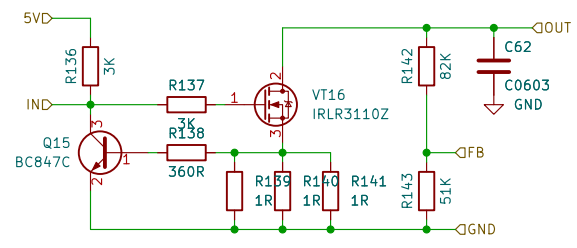
rusEFl

Sheet: /OD 2A12/
File: OD_2A.kicad_sch

Title: s105

Size: A3 Date:
KiCad E.D.A. kicad (6.0.8)

Rev: 0.1
Id: 18/35



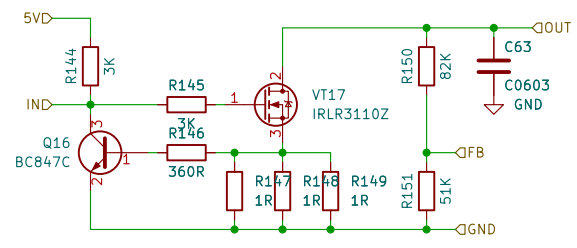
rusEFl

Sheet: /OD 2A13/
File: OD_2A.kicad_sch

Title: s105

Size: A3 Date:
KiCad E.D.A. kicad (6.0.8)

Rev: 0.1
Id: 19/35



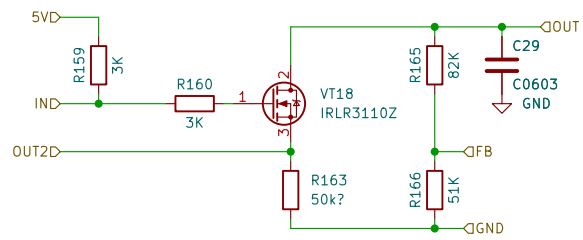
rusEFl

Sheet: /OD_2A20/
File: OD_2A.kicad_sch

Title: s105

Size: A3 Date:
KiCad E.D.A. kicad (6.0.8)

Rev: 0.1
Id: 20/35



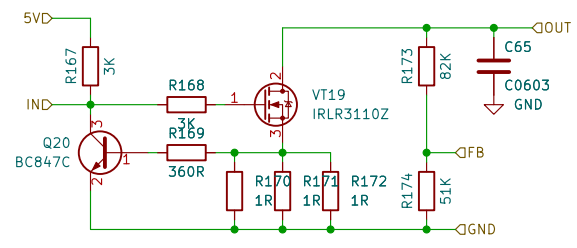
rusEFI

Sheet: /OD 2A15/
File: OD_2A_3.kicad_sch

Title: s105

Size: A3 Date:
KiCad E.D.A. kicad (6.0.8)

Rev: 0.1
Id: 21/35



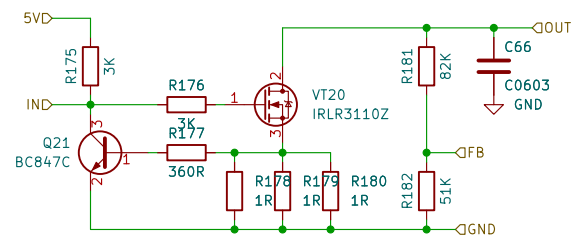
rusEFI

Sheet: /OD 2A16/
File: OD_2A.kicad_sch

Title: s105

Size: A3 Date:
KiCad E.D.A. kicad (6.0.8)

Rev: 0.1
Id: 22/35



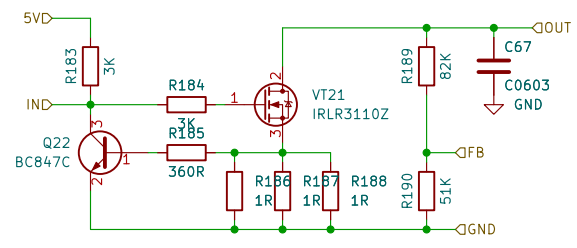
rusEFI

Sheet: /OD 2A17/
File: OD_2A.kicad_sch

Title: s105

Size: A3 Date:
KiCad E.D.A. kicad (6.0.8)

Rev: 0.1
Id: 23/35



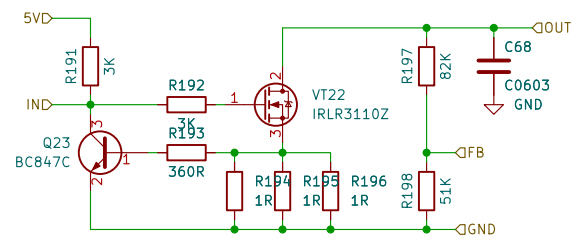
rusEFI

Sheet: /OD 2A18/
File: OD_2A.kicad_sch

Title: s105

Size: A3 Date:
KiCad E.D.A. kicad (6.0.8)

Rev: 0.1
Id: 24/35



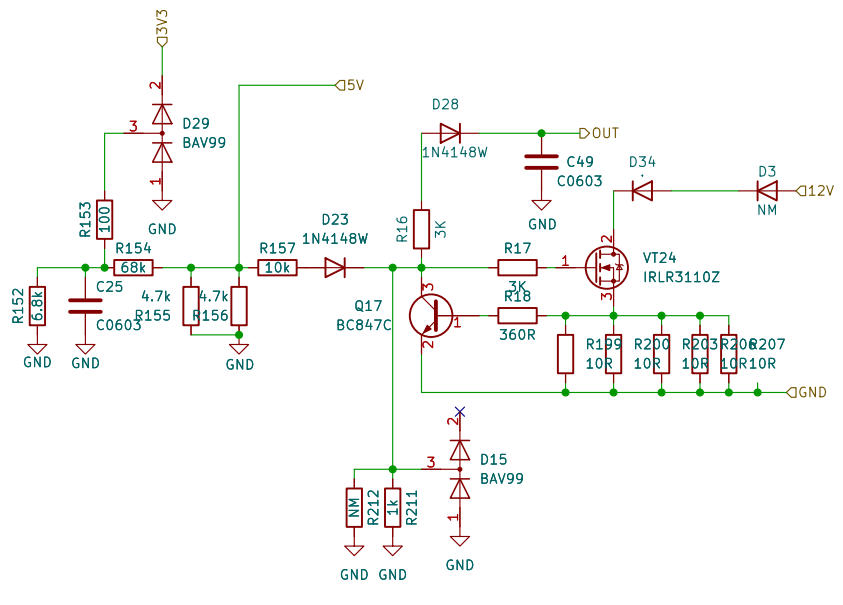
rusEFI

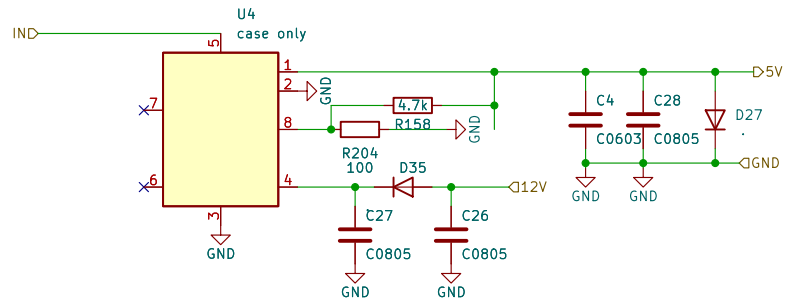
Sheet: /OD 2A19/
File: OD_2A.kicad_sch

Title: s105

Size: A3 Date:
KiCad E.D.A. kicad (6.0.8)

Rev: 0.1
Id: 25/35





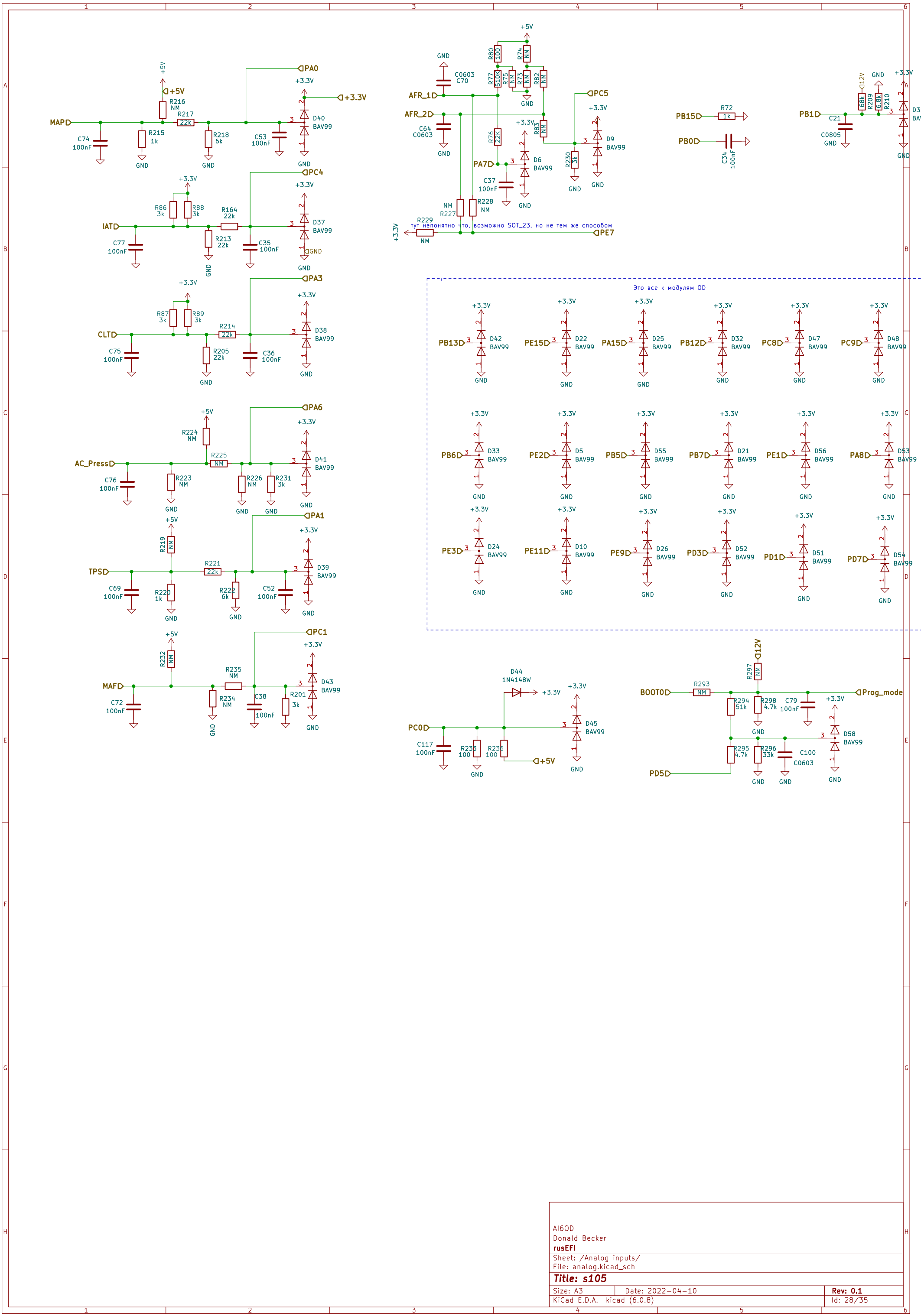
rusEFI

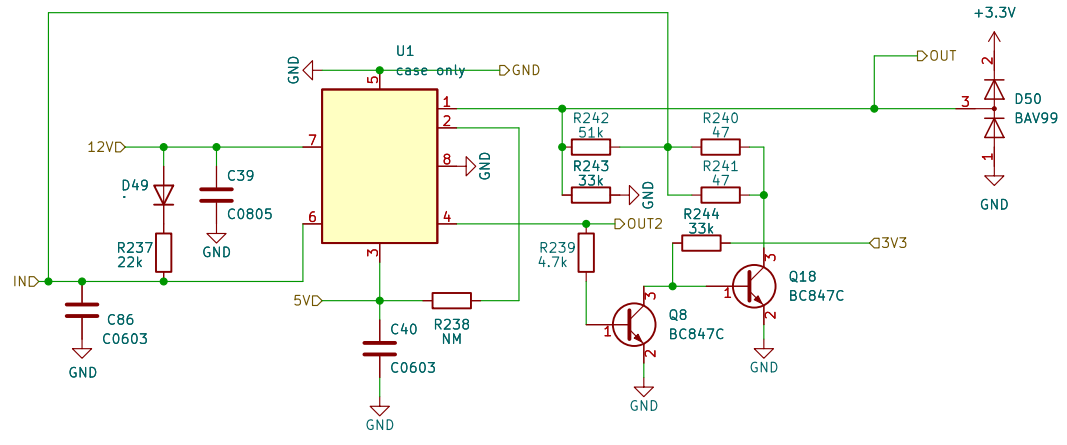
Sheet: /OD 2A21/
File: MPSNG5.kicad_sch

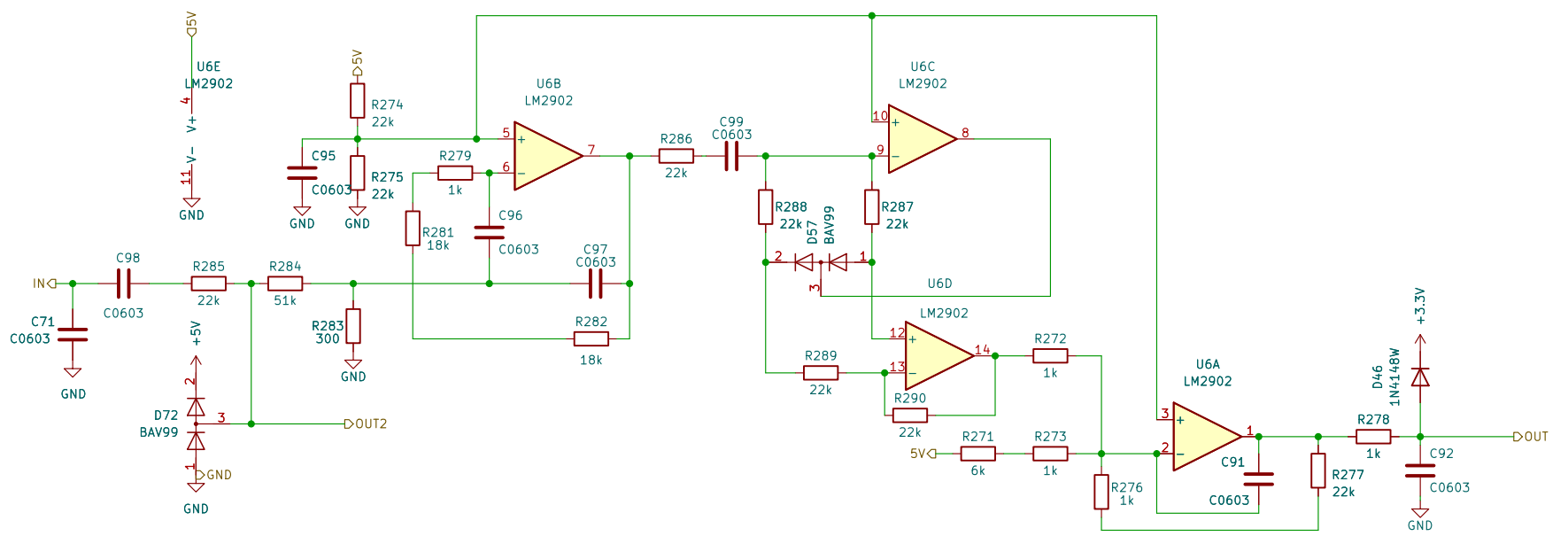
Title: s105

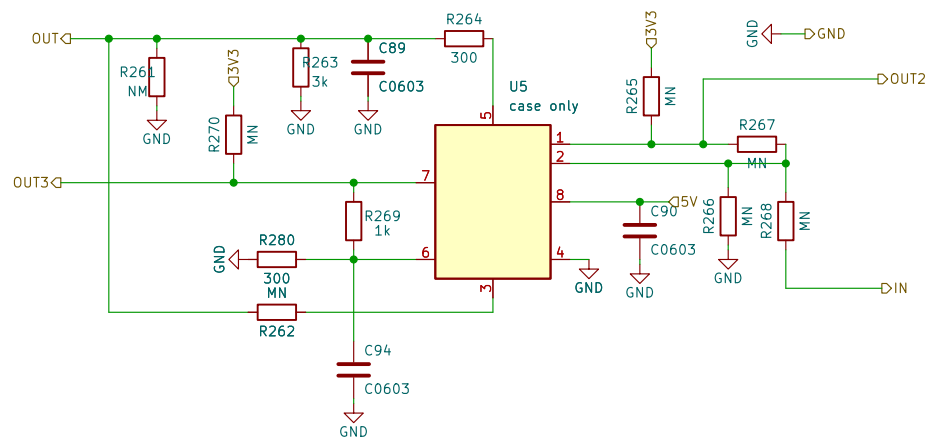
Size: A3 Date:
KiCad E.D.A. kicad (6.0.8)

Rev: 0.1
Id: 27/35









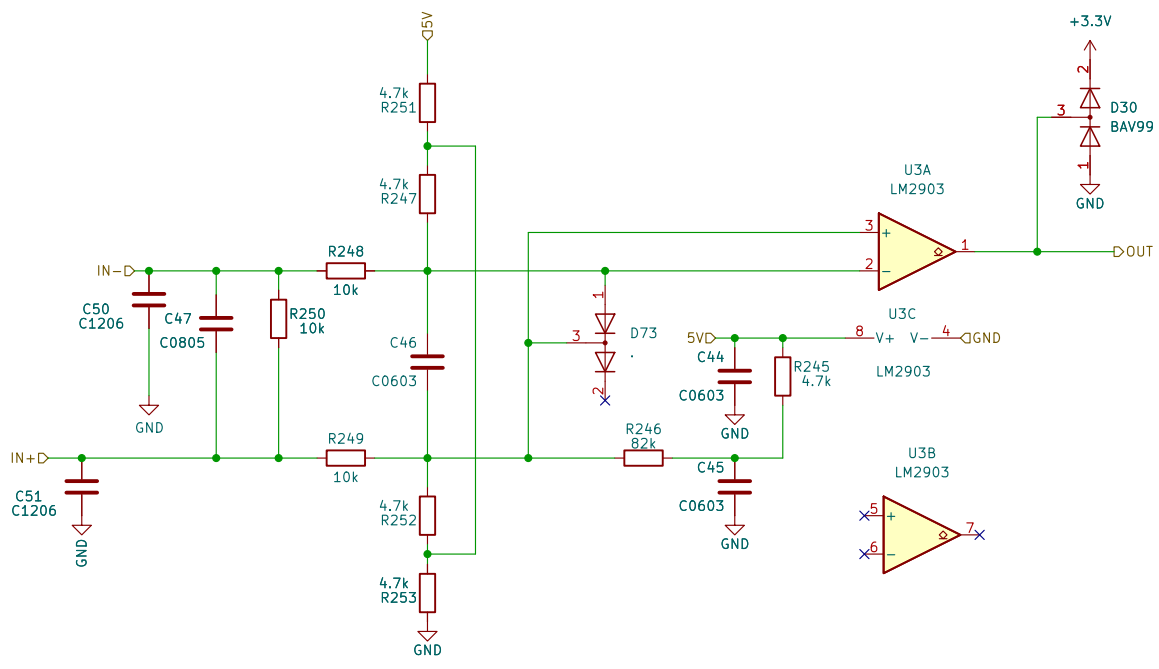
rusEFI

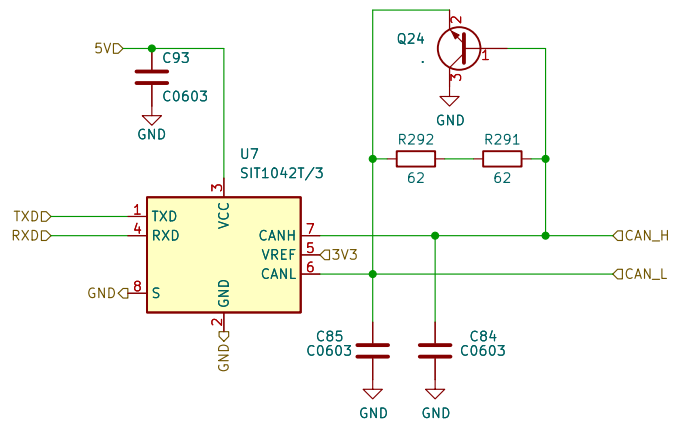
Sheet: /OD 2A24/
File: ak1st2.kicad_sch

Title: s105

Size: A3 Date:
KiCad E.D.A. kicad (6.0.8)

Rev: 0.1
Id: 31/35





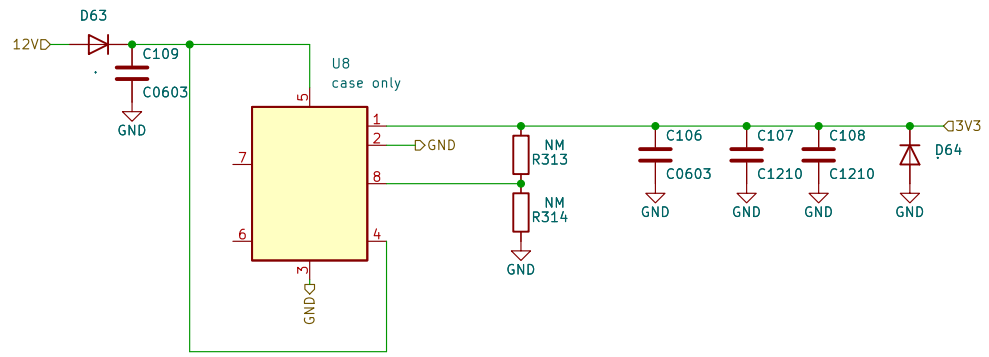
rusEFI

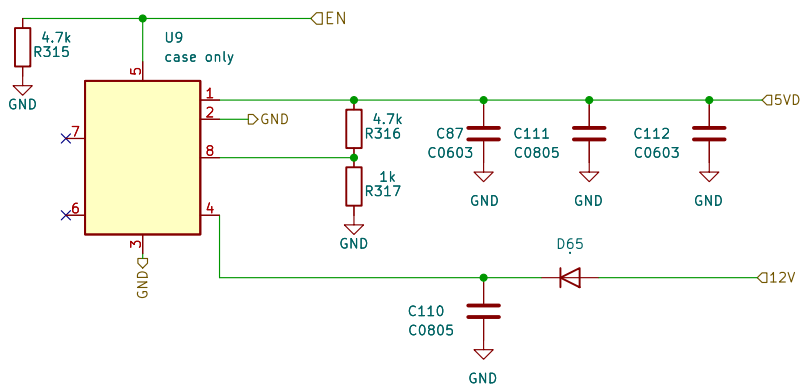
Sheet: /CAN/
File: CAN.kicad_sch

Title: s105

Size: A3 Date:
KiCad E.D.A. kicad (6.0.8)

Rev: 0.1
Id: 33/35





rusEFI

Sheet: /Power 5V/
File: MAB4795A2.kicad_sch

Title: s105

Size: A3	Date:	Rev: 0.1
KiCad E.D.A. kicad (6.0.8)		Id: 35/35