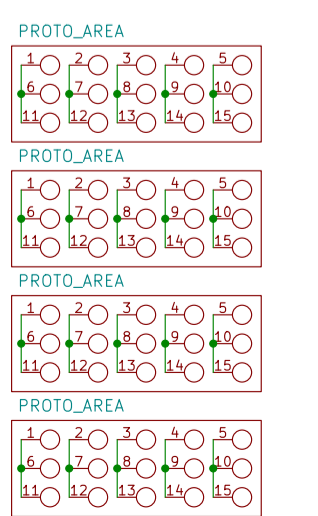
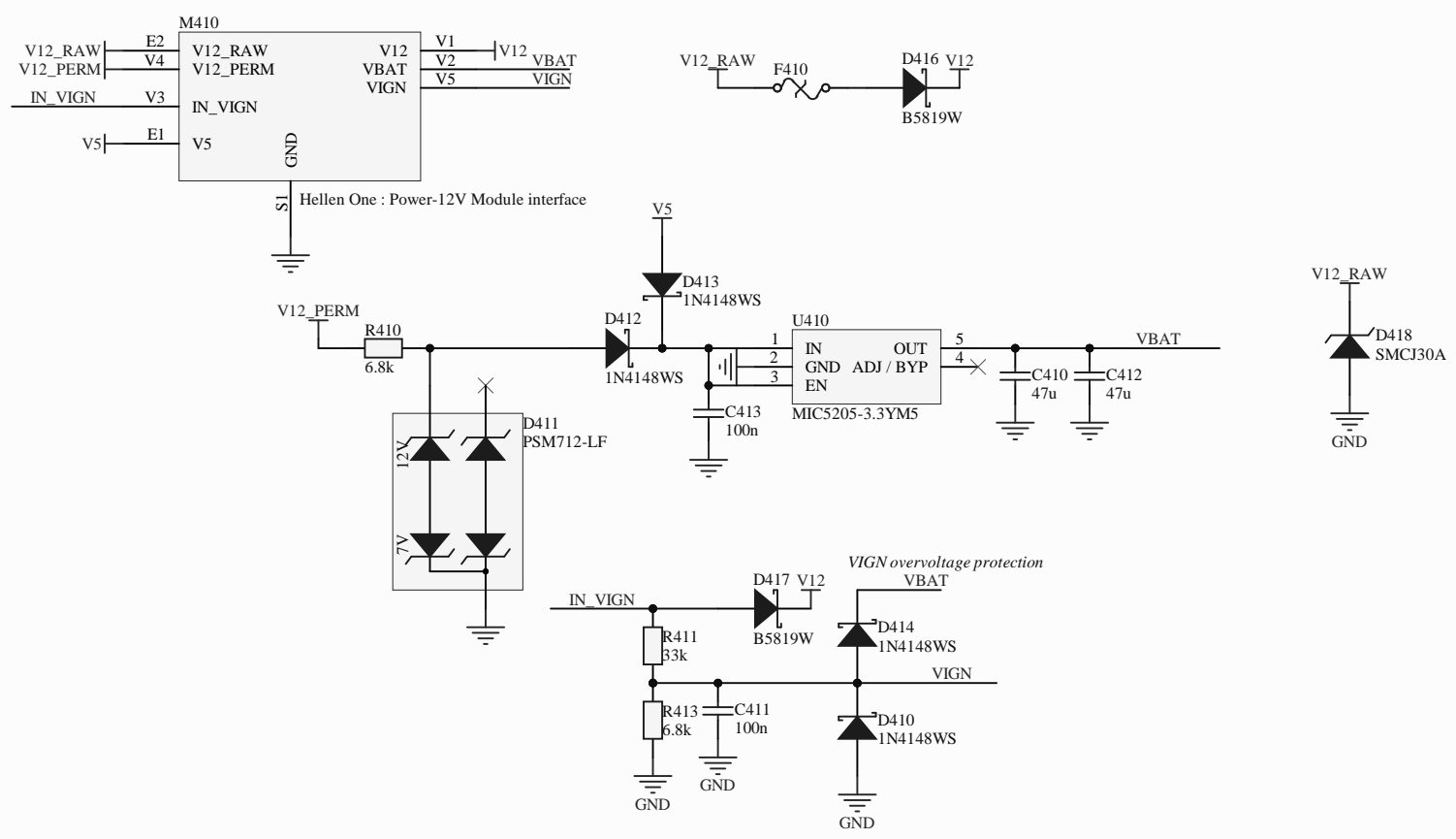
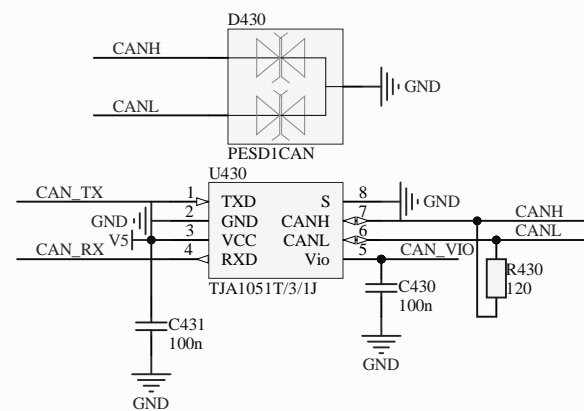
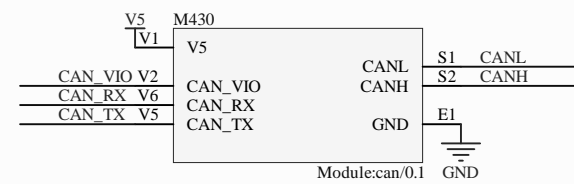
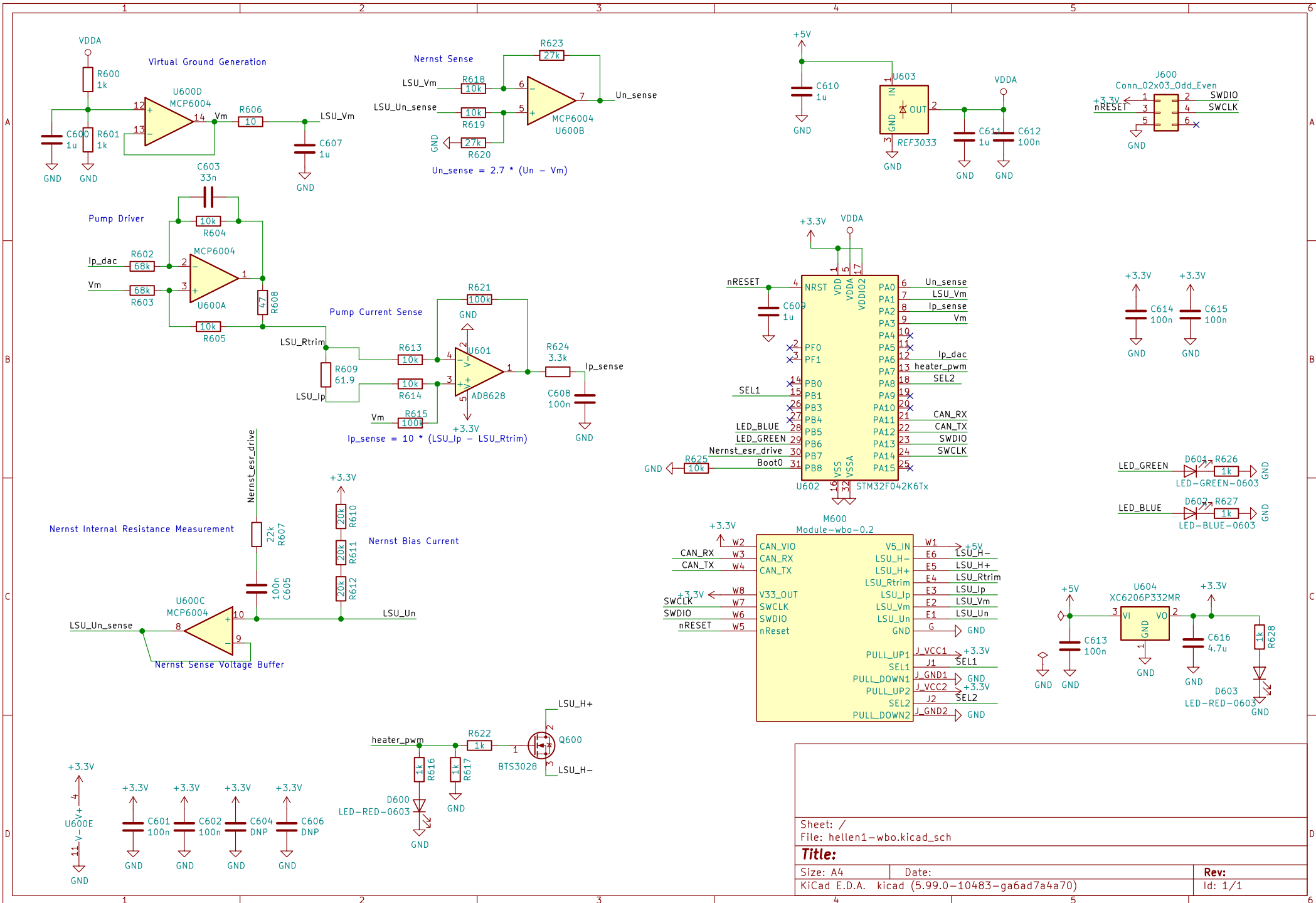


- 1 Fuel pump
- 2 IN\_5
- 3 IN\_4
- 4 IN\_3
- 5 IN\_2
- 6 VVT Solenoid | inj7
- 7 IN\_1
- 8 X
- 9 X
- 10 X
- 11 X
- 12 X
- 13 X
- 14 GND | MAF gnd
- 15 IN\_CRANK+
- 16 IN\_CRANK-
- 17 X
- 18 X
- 19 X
- 20 X
- 21 X
- 22 X
- 23 X
- 24 X
- 25 X
- 26 X
- 27 X
- 28 X
- 29 X
- 30 X
- 31 X
- 32 X
- 33 X
- 34 X
- 35 X
- 36 X
- 37 X
- 38 X
- 39 X
- 40 X
- 41 X
- 42 X
- 43 X
- 44 X
- 45 X
- 46 X
- 47 X
- 48 X
- 49 X
- 50 X
- 51 X
- 52 X
- 53 X
- 54 X
- 55 X
- 56 X
- 57 X
- 58 X
- 59 X
- 60 X
- 61 X
- 62 X
- 63 X
- 64 X
- 65 X
- 66 X
- 67 X
- 68 X
- 69 X
- 70 X
- 71 X
- 72 X
- 73 X
- 74 X
- 75 X
- 76 X
- 77 X
- 78 X
- 79 X
- 80 X
- 81 X
- 82 X
- 83 X
- 84 X
- 85 X
- 86 X
- 87 X
- 88 X
- 89 X
- 90 X
- 91 X
- 92 X
- 93 X
- 94 X
- 95 X
- 96 X
- 97 X
- 98 X
- 99 X
- 100 X

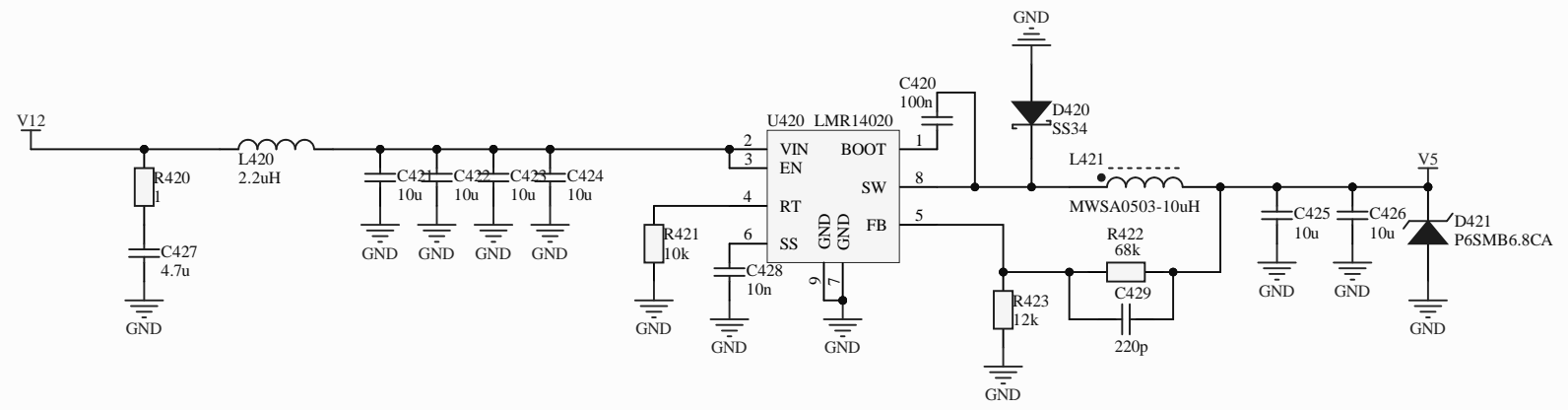
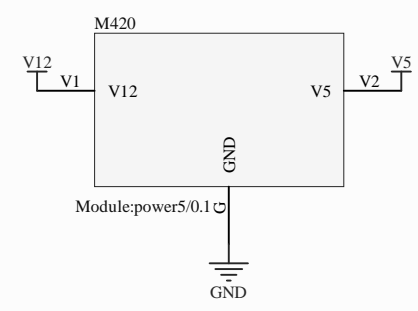


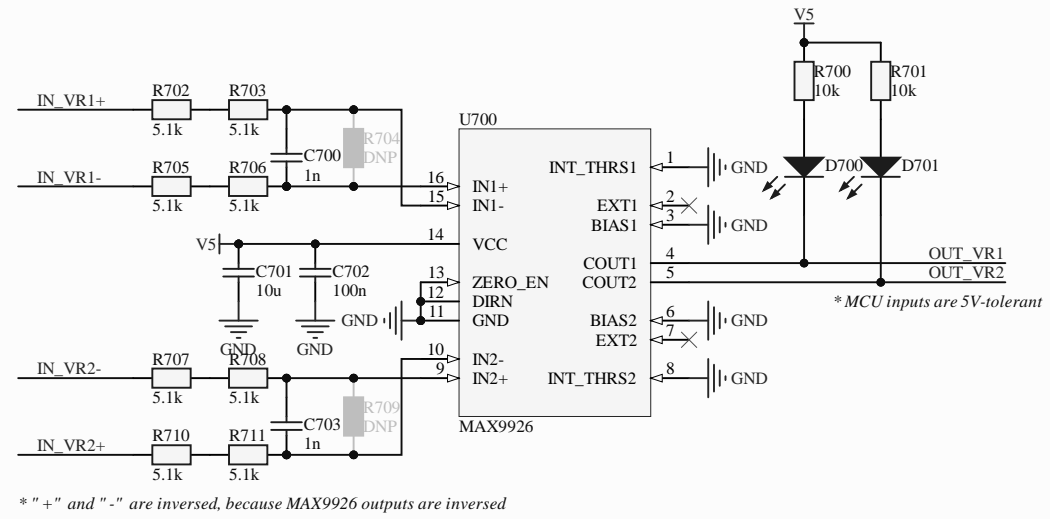
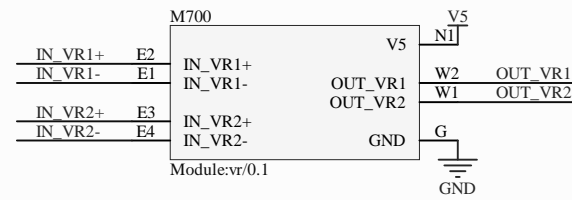






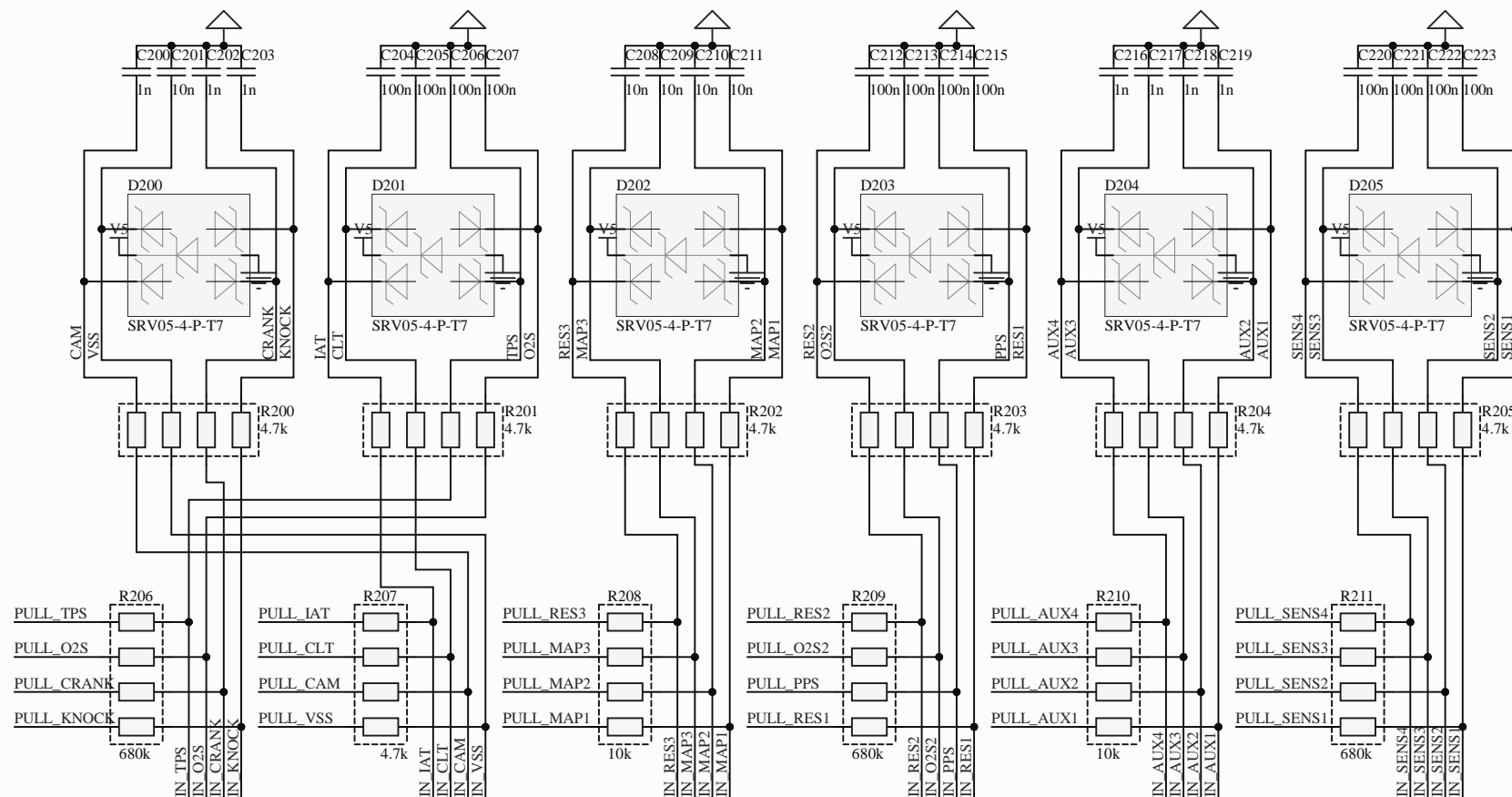
Sheet: /	
File: hellen1-wbo.kicad_sch	
<b>Title:</b>	
Size: A4	Date:
KiCad E.D.A. kicad (5.99.0-10483-ga6ad7a4a70)	
Rev:	Id: 1/1





M200D			
PULL_CRANK J21	PULL_CRANK	PULL_MAP1	J14 PULL_MAP1
PULL_CAM J17	PULL_CAM	PULL_MAP2	J13 PULL_MAP2
PULL_VSS J18	PULL_VSS	PULL_MAP3	J12 PULL_MAP3
PULL_TPS J19	PULL_TPS	PULL_AUX1	J10 PULL_AUX1
PULL_PPS J5	PULL_PPS	PULL_AUX2	J9 PULL_AUX2
PULL_IAT J15	PULL_IAT	PULL_AUX3	J8 PULL_AUX3
PULL_CLT J16	PULL_CLT	PULL_AUX4	J7 PULL_AUX4
PULL_O2S J20	PULL_O2S	PULL_SENS1	J26 PULL_SENS1
PULL_O2S2 J4	PULL_O2S2	PULL_SENS2	J25 PULL_SENS2
		PULL_SENS3	J24 PULL_SENS3
		PULL_SENS4	J23 PULL_SENS4
PULL_RES1 J6	PULL_RES1	PULL_SENS4	J22 PULL_KNOCK
PULL_RES2 J3	PULL_RES2		
PULL_RES3 J11	PULL_RES3		

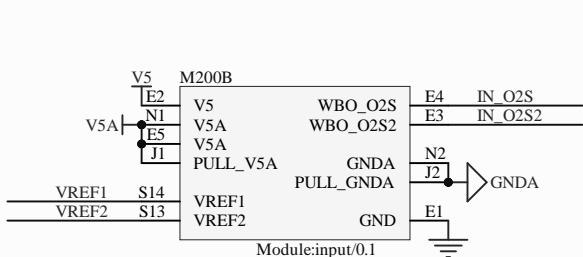
Module:input/0.1



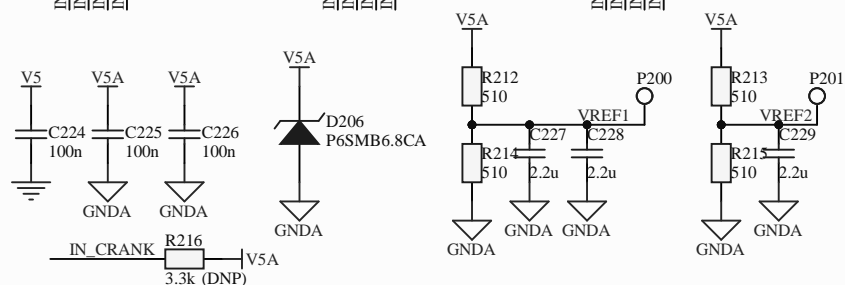
M200C		M200A	
IN_CRANK S8	IN_CRANK	N21 CRANK	
IN_CAM S5	IN_CAM	N19 CAM	
IN_VSS S6	IN_VSS	N20 VSS	
IN_TPS S10	IN_TPS	N17 TPS	
IN_PPS S24	IN_PPS	N5 PPS	
IN_IAT S16	IN_IAT	N15 IAT	
IN_CLT S15	IN_CLT	N16 CLT	
IN_O2S S9	IN_O2S	N18 O2S	
IN_O2S2 S25	IN_O2S2	N4 O2S2	
IN_RES1 S23	IN_RES1	N6 RES1	
IN_RES2 S26	IN_RES2	N3 RES2	
IN_RES3 S22	IN_RES3	N11 RES3	
IN_MAP1 S11	IN_MAP1	N14 MAP1	
IN_MAP2 S12	IN_MAP2	N13 MAP2	
IN_MAP3 S19	IN_MAP3	N12 MAP3	
IN_AUX1 S17	IN_AUX1	N10 AUX1	
IN_AUX2 S18	IN_AUX2	N9 AUX2	
IN_AUX3 S20	IN_AUX3	N8 AUX3	
IN_AUX4 S21	IN_AUX4	N7 AUX4	
IN_SENS1 S1	IN_SENS1	N26 SENS1	
IN_SENS2 S2	IN_SENS2	N25 SENS2	
IN_SENS3 S3	IN_SENS3	N24 SENS3	
IN_SENS4 S4	IN_SENS4	N23 SENS4	
IN_KNOCK S7	IN_KNOCK	N22 KNOCK	

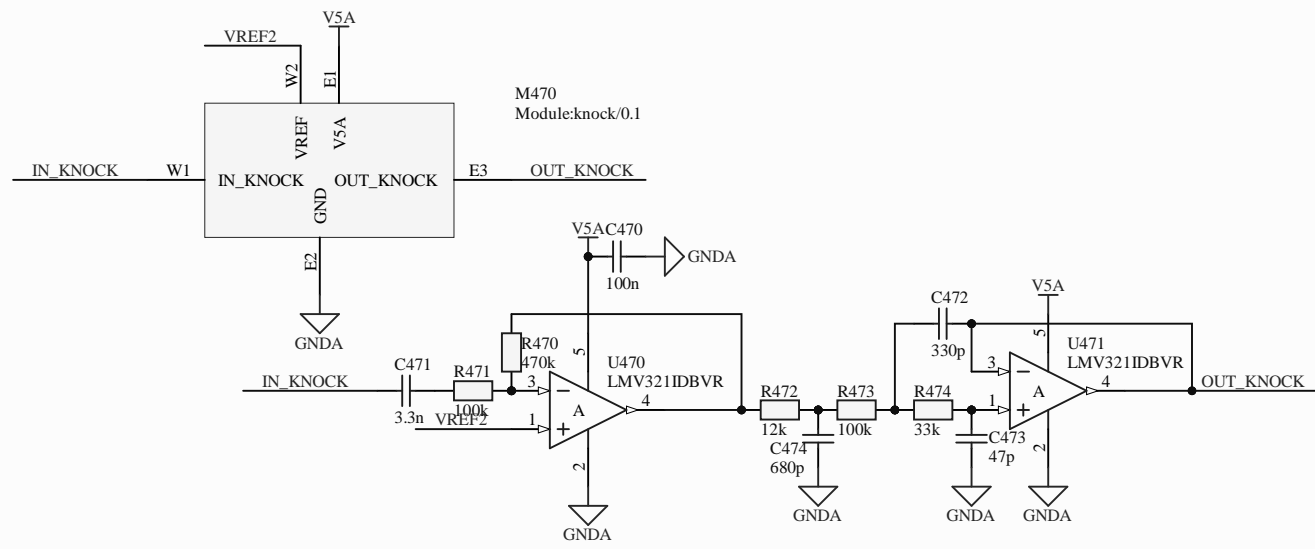
Module:input/0.1

Module:input/0.1

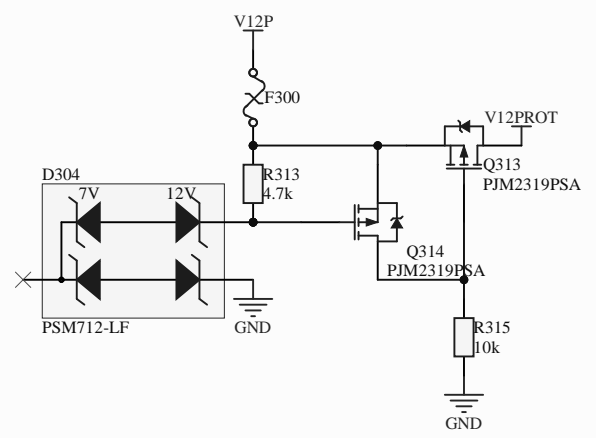
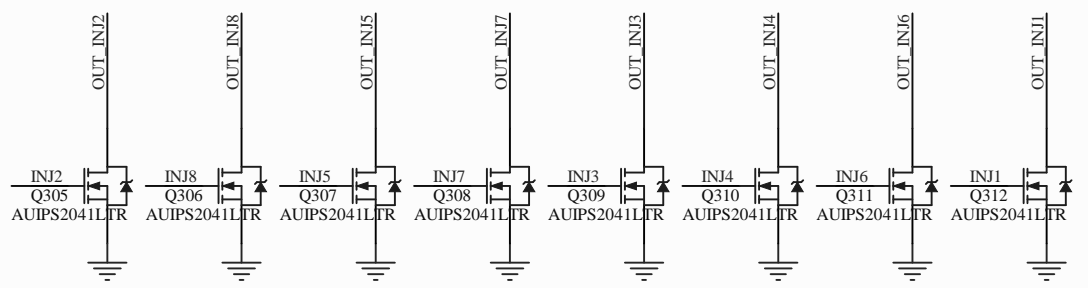
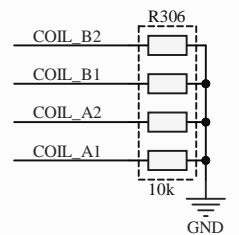
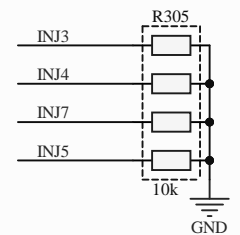
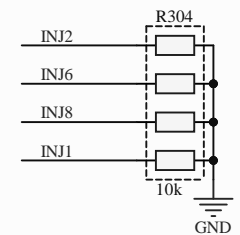
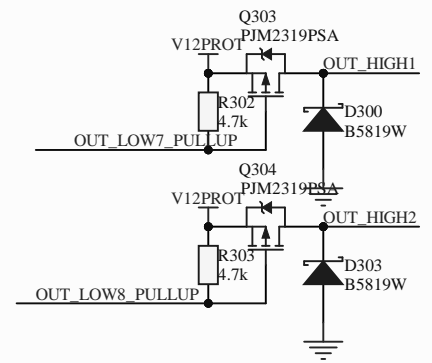
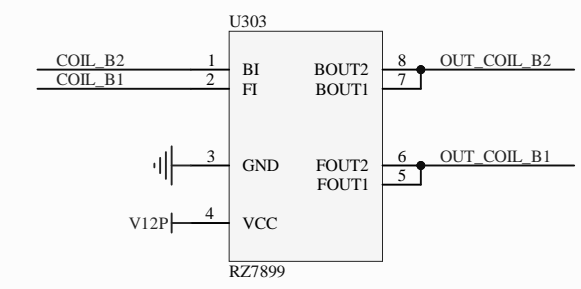
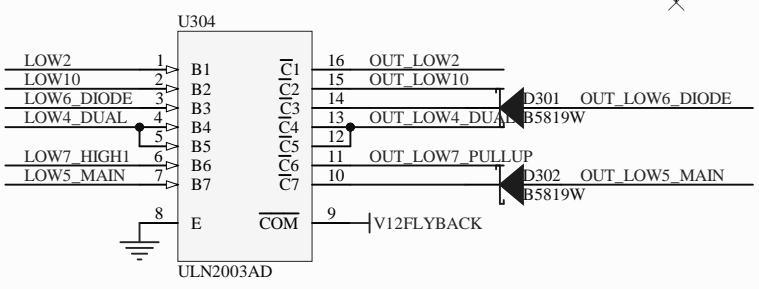
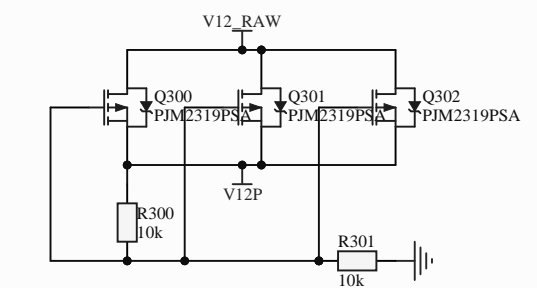
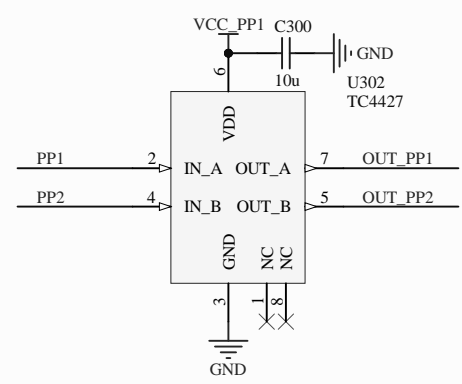
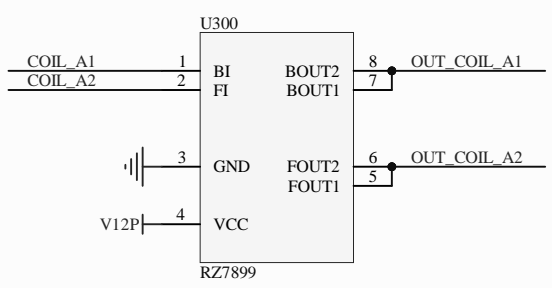
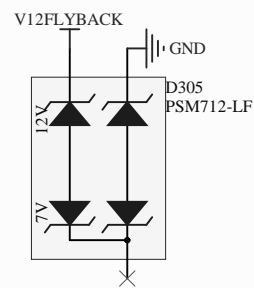
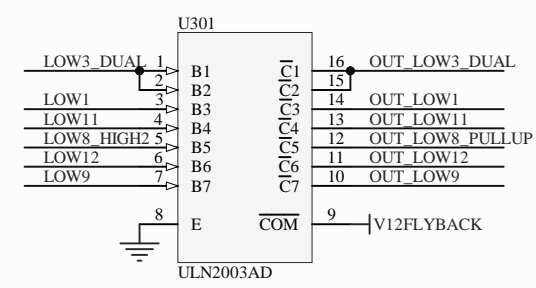


Module:input/0.1

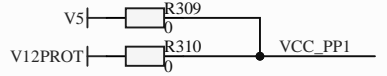
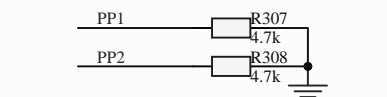
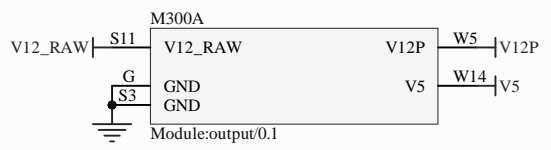
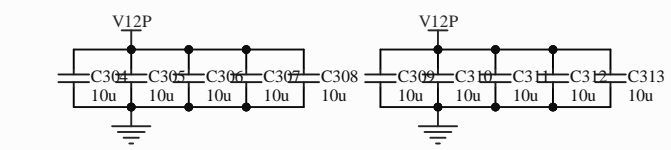








M300B		M300C	
INJ1	W24	OUT_INJ1	S18
INJ2	W23	OUT_INJ2	S16
INJ3	W20	OUT_INJ3	S17
INJ4	W19	OUT_INJ4	W7
INJ5	W18	OUT_INJ5	W10
INJ6	W17	OUT_INJ6	S15
INJ7	W16	OUT_INJ7	W12
INJ8	W15	OUT_INJ8	W11
PP1	W28	OUT_PP1	W6
PP2	W22	OUT_PP2	S6
COIL_A1	W33	OUT_SOLENOID_A1	S1
COIL_A2	W32	OUT_SOLENOID_A2	S2
COIL_B1	W31	OUT_SOLENOID_B1	S4
COIL_B2	W30	OUT_SOLENOID_B2	S5
LOW1	W21	OUT_LOW1	S8
LOW2	W29	OUT_LOW2	W1
LOW3_DUAL	W38	OUT_LOW3_DUAL	S7
LOW4_DUAL	W34	OUT_LOW4_DUAL	W4
LOW5_MAIN	W40	OUT_LOW4_DUAL	W13
LOW6_DIODE	W25	OUT_LOW5_MAIN	W3
LOW7_HIGH1	W39	OUT_LOW6_DIODE	W9
LOW8_HIGH2	W37	OUT_LOW7_PULLUP	S12
LOW9	W27	OUT_LOW8_PULLUP	S14
LOW10	W26	OUT_LOW9	W2
LOW11	W35	OUT_LOW10	S10
LOW12	W36	OUT_LOW11	S13
		OUT_LOW12	
		OUT_HIGH1	W8
		OUT_HIGH2	S9



\* These can be removed in the board compilation file

