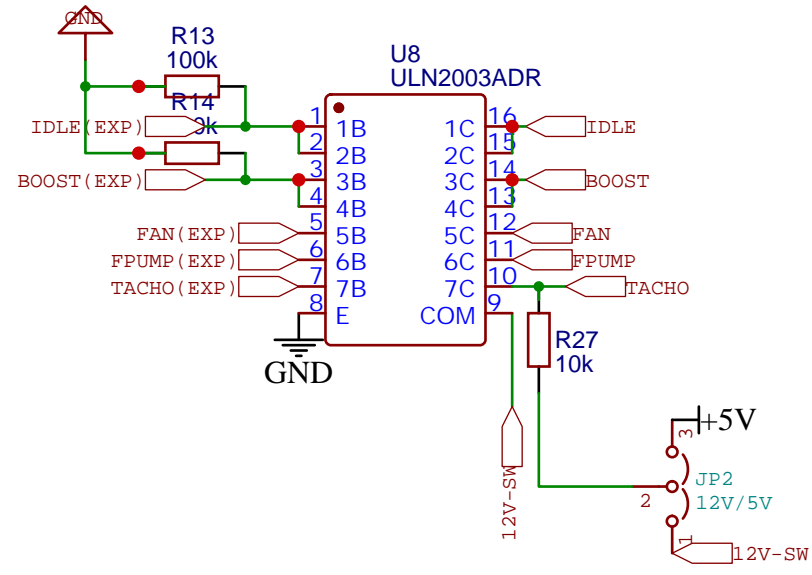
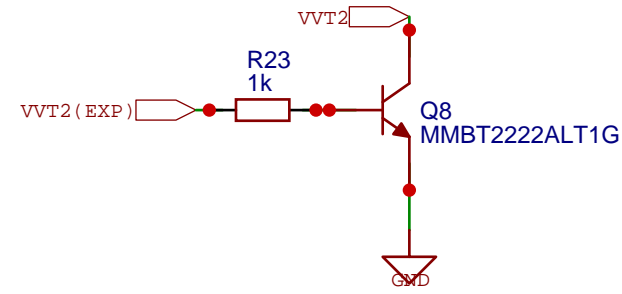


PWM Idle and Boost outputs
Spare High Current outputs

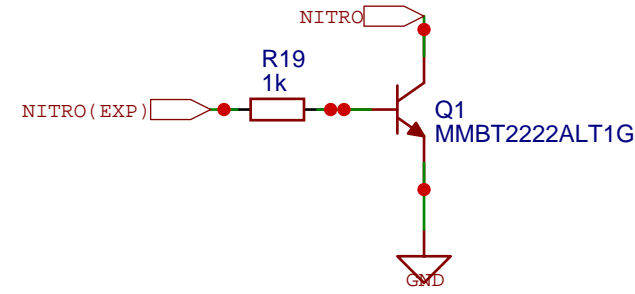


5v
12v
gnd
inj3d10-
inj4d11-
ign3d52-
ign4d50-
idle1d5-
tachod49-
fpumpd45-
fand47-
boostd7-
flexd2
VVTd4
DPO1d48
Nitrousd3
DPI153
idle2d6
VSS d20
AVI1 A9
AVI2 A10
otro pin

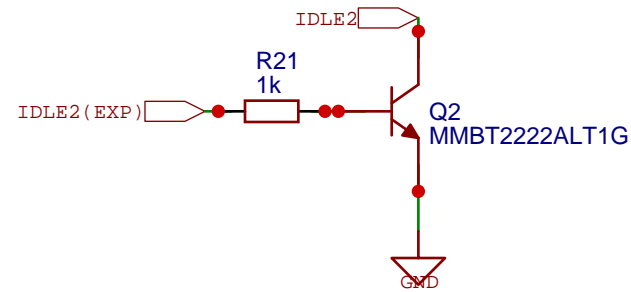
VVT2/DPO



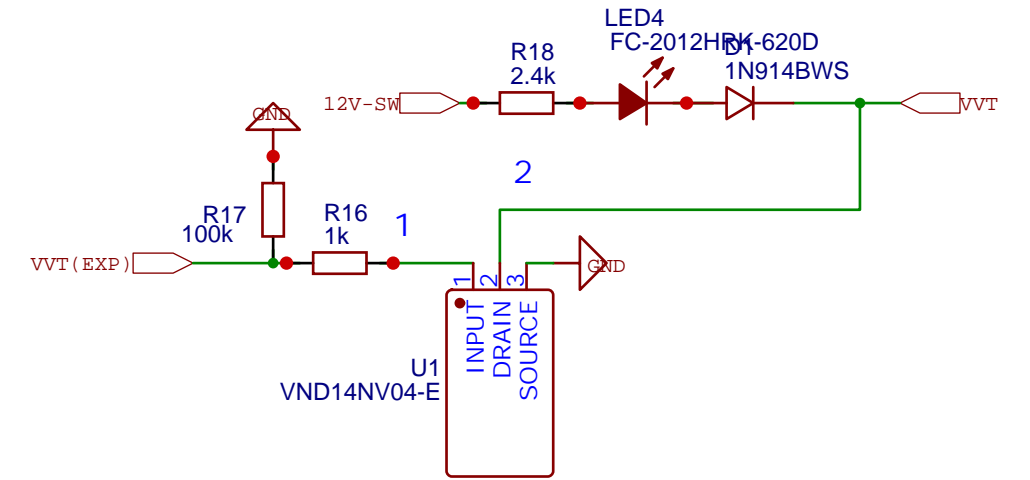
Nitrous



Idle2

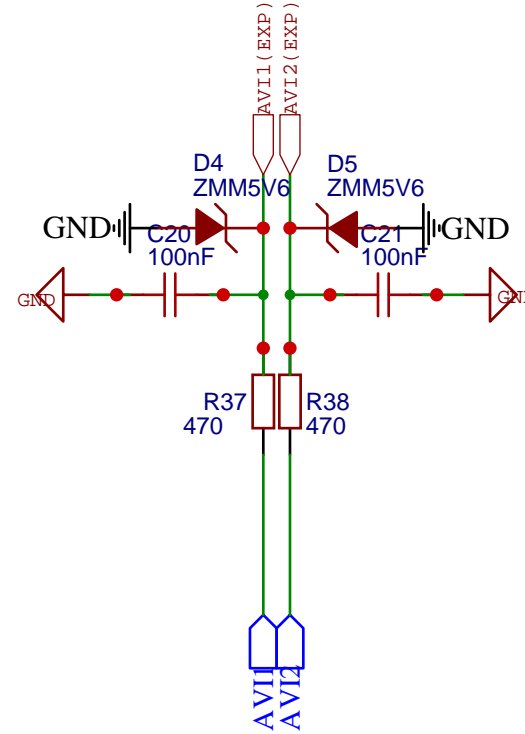
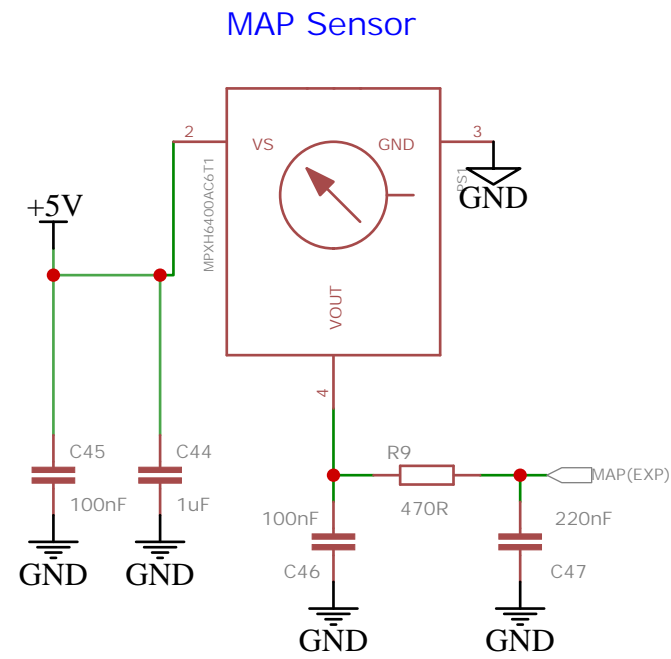


VVT1



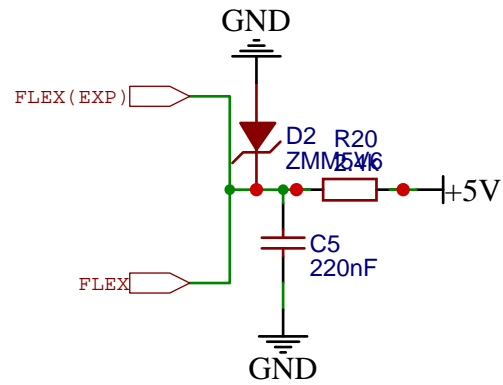
TITLE: Sheet_1		REV: 1.0
EasyEDA	Company: Your Company	Sheet: 1/1
	Date: 2022-03-28	Drawn By: Norman Alphaspeed

AVIs (FPres and OilPress)

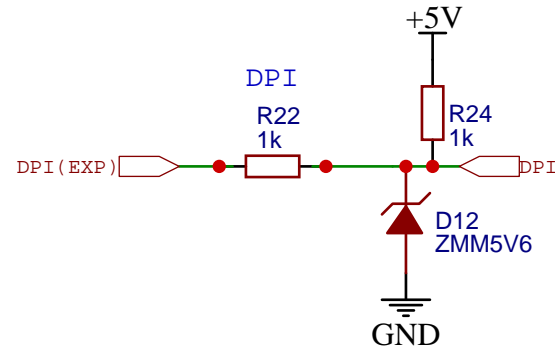
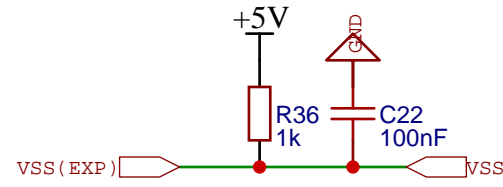


- 5v
- 12v
- gnd
- inj3d10-
- inj4d11-
- ign3d52-
- ign4d50-
- idle1d5-
- tachod49-
- fpumpd45-
- fand47-
- boostd7-
- flexd2
- VVTd4
- DPO1d48
- Nitrousd3
- DPI153
- idle2d6
- VSS d20
- AVI1 A9
- AVI2 A10
- otro pin

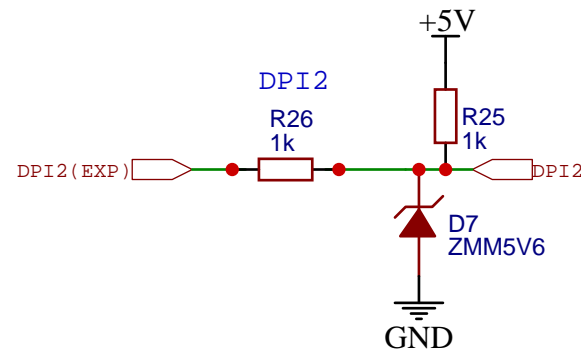
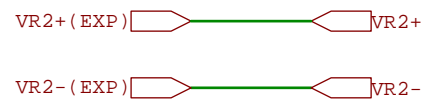
Flex Sensor Input



VSS



Cam VR



TITLE: Sheet_1		REV: 1.0
	Company: Your Company	Sheet: 1/1
	Date: 2022-03-28	Drawn By: Norman Alphaspeed

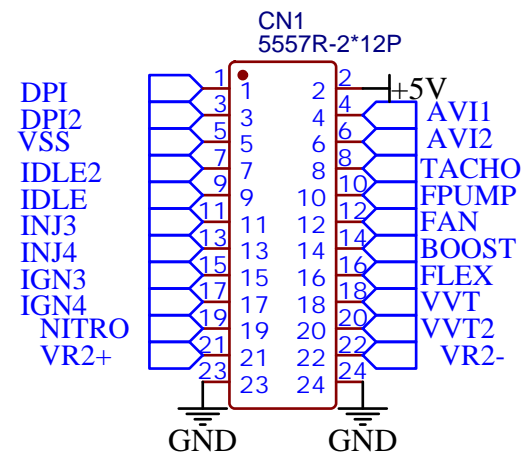
22 pins

5v
12v
gnd
inj3d10
inj4d11
ign3d52
ign4d50
idle1d5
tachod49
fpumpd45
fand47
boostd7
flexd2
VVTd4
VVT2d48
Nitrousd3
DPI153
idle2d6
VSS d20
AVI1 A9
AVI2 A10
otro pin


Important notes

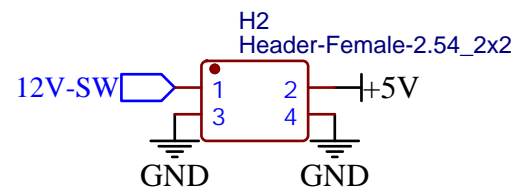
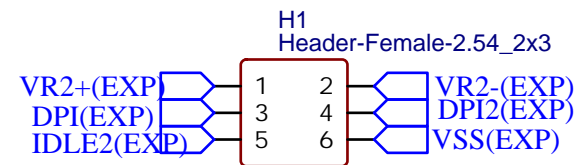
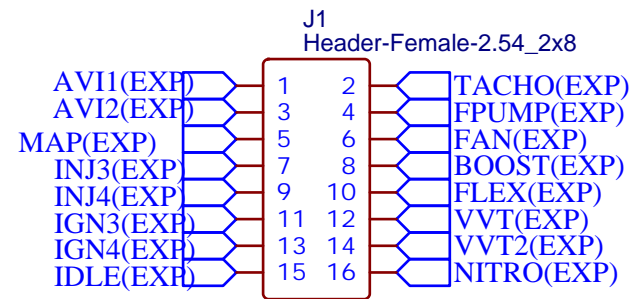
12v must hold 1a
inj3/4 must hold 3a for 10ms
idle must hold 1a constant
vvt must hold 1a constant
fan, fpump, tach, boost, vvt2, idle2, nitrous must hold 300mA

TITLE: Sheet_1	REV: 1.0
 EasyEDA	Company: Your Company
Date: 2022-03-28	Drawn By: Norman Alphaspeed



5v
 12v
 gnd
 inj3d10-
 inj4d11-
 ign3d52-
 ign4d50-
 idle1d5-
 tachod49-
 fpumpd45-
 fand47-
 boostd7-
 flexd2
 VVTd4
 DPO1d48
 Nitrousd3
 DPI153
 idle2d6
 VSS d20
 AVI1 A9
 AVI2 A10
 otro pin

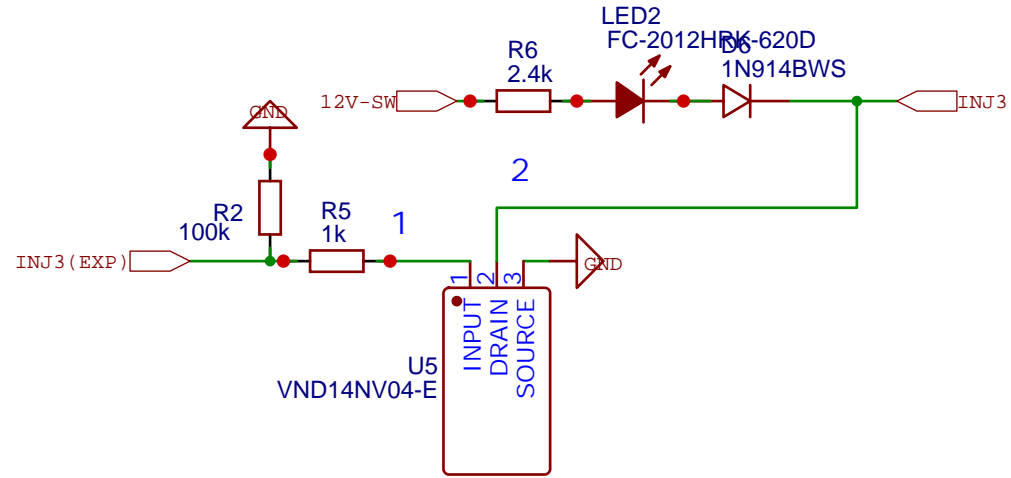
TITLE: Sheet_1		REV: 1.0
	Company: Your Company	Sheet: 1/1
	Date: 2022-03-28	Drawn By: Norman Alphaspeed



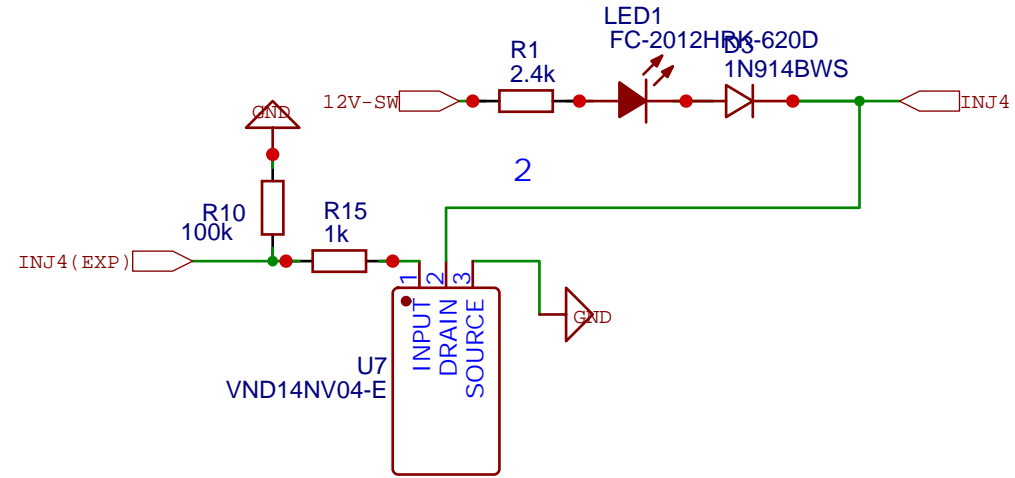
5v
12v
gnd
inj3d10-
inj4d11-
ign3d52-
ign4d50-
idle1d5-
tachod49-
fpumpd45-
fand47-
boostd7-
flexd2
VVTd4
DPO1d48
Nitrousd3
DPI153
idle2d6
VSS d20
AVI1 A9
AVI2 A10
otro pin

TITLE: Sheet_1		REV: 1.0
	Company: Your Company	Sheet: 1/1
	Date: 2022-03-28	Drawn By: Norman Alphaspeed

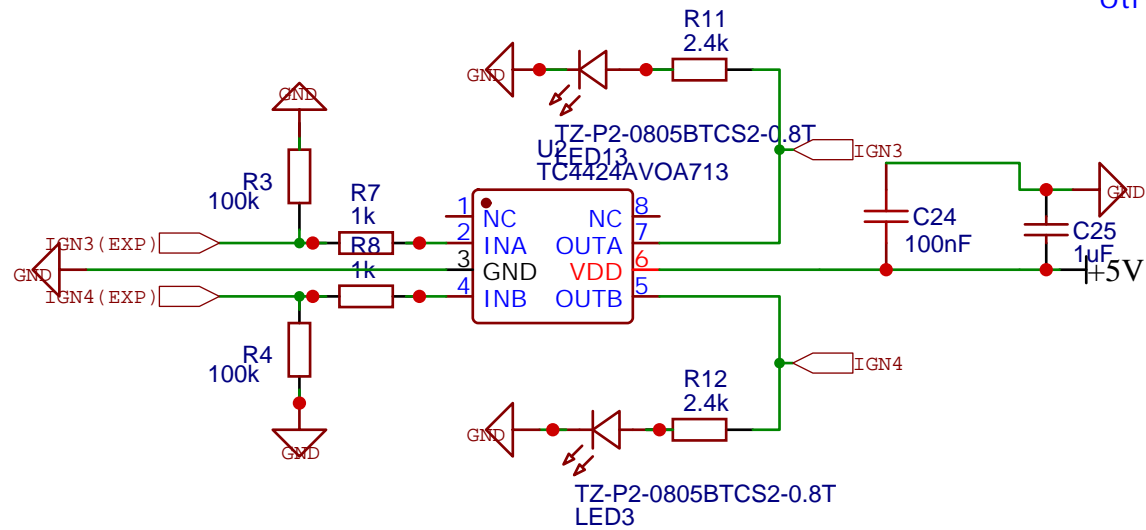
Injector Driver 3



Injector Driver 4



Ignition Driver 3/4



5v
12v
gnd
inj3d10
inj4d11
ign3d52
ign4d50
idle1d5
tachod49
fpumpd45
fand47
boostd7
flexd2
VVTd4
VVT2d48
Nitrousd3
DPI153
idle2d6
VSS d20
AVI1 A9
AVI2 A10
otro pin

TITLE: Sheet_1		REV: 1.0
EasyEDA	Company: Your Company	Sheet: 1/1
	Date: 2022-03-29	Drawn By: Norman Alphaspeed