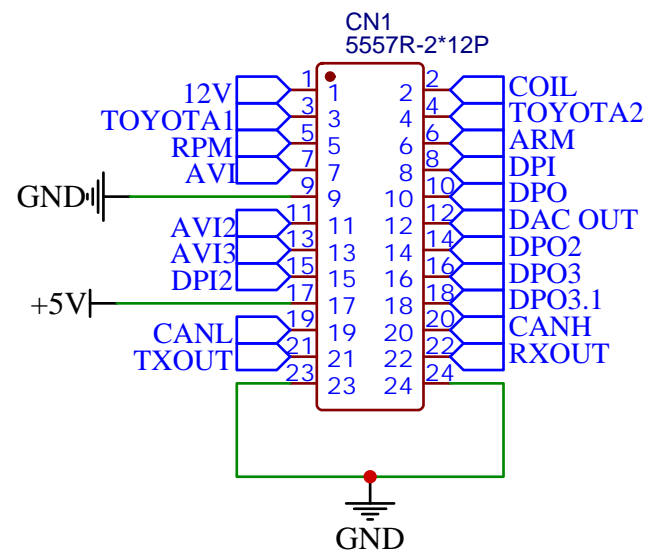
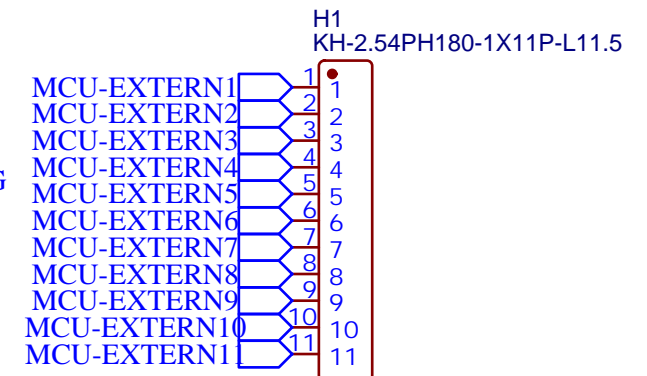


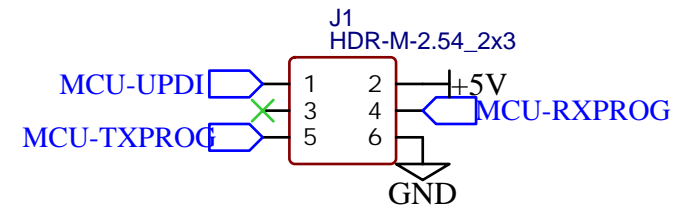
Main Connector



External Pins

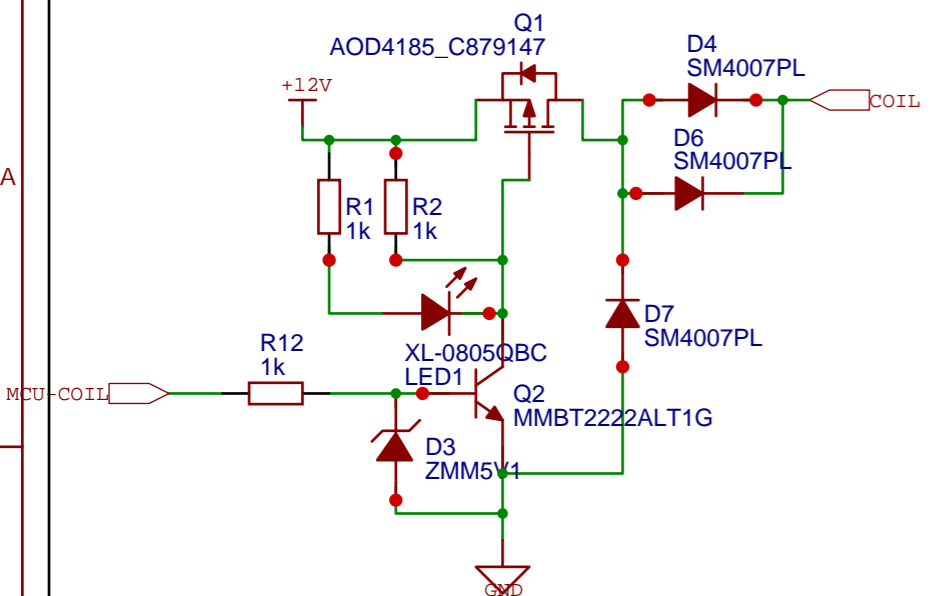


Programming Port

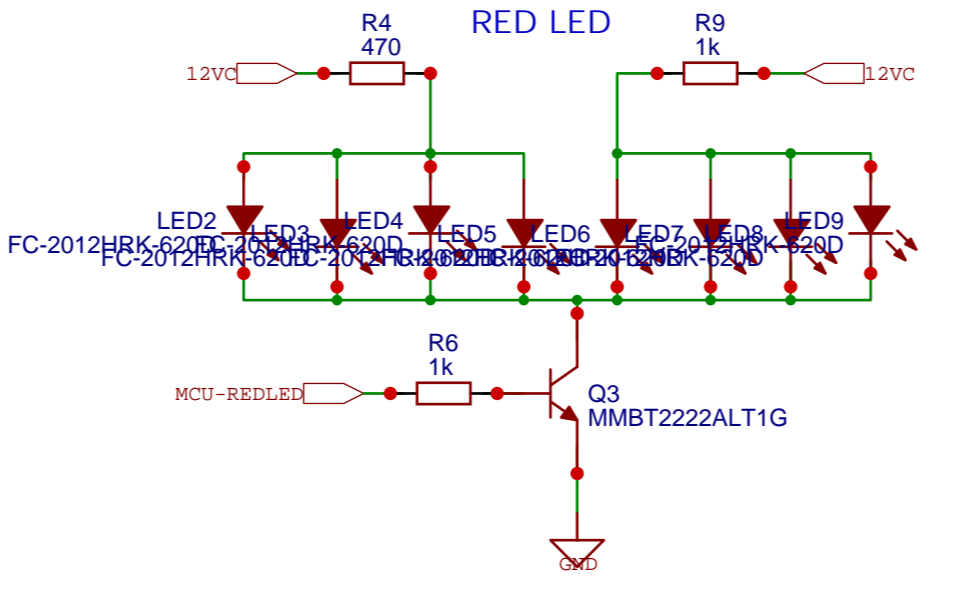


TITLE: SMD TwoStep Box		REV: 1.0
	Company: AlphaX	Sheet: 1/1
	Date: 2022-02-26	Drawn By: Norman Alphaspeed

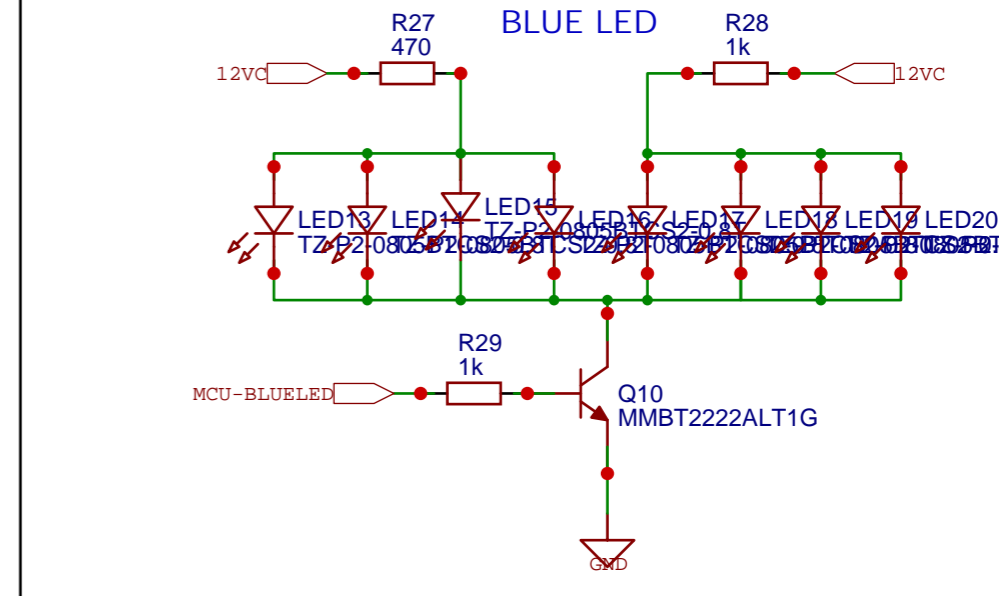
COIL OUTPUT



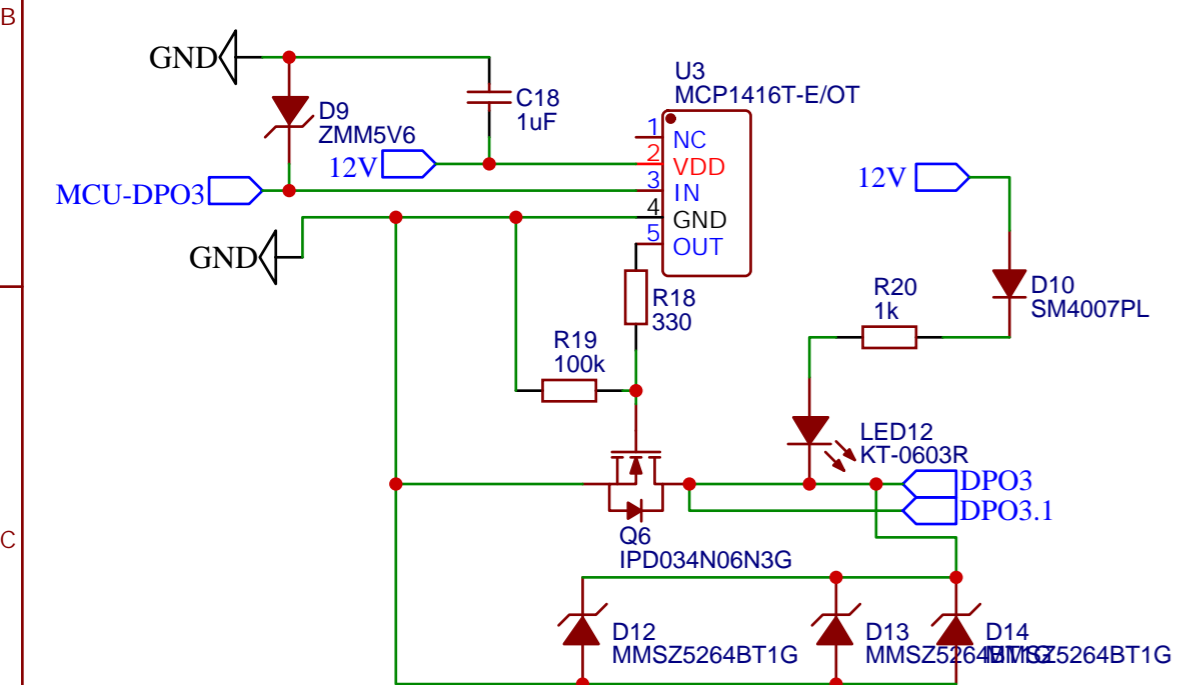
RED LED



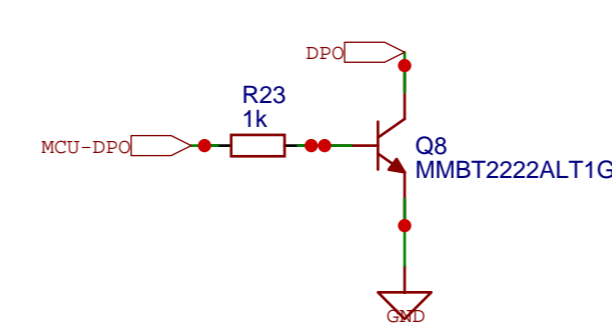
BLUE LED



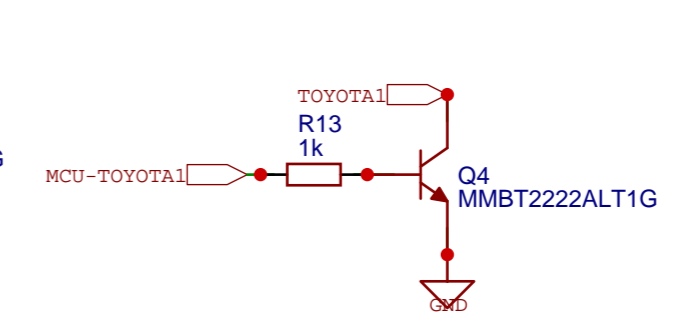
DPO3



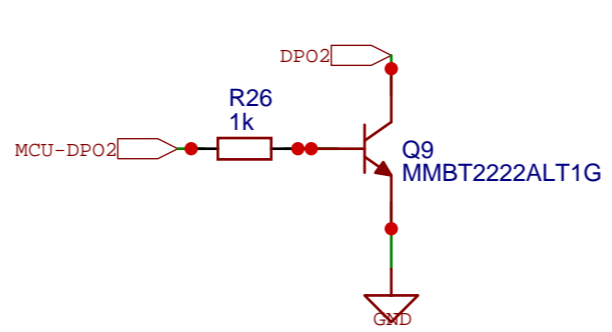
DPO



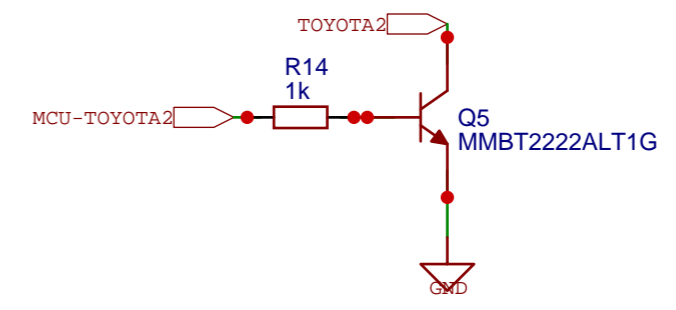
TOYOTA1



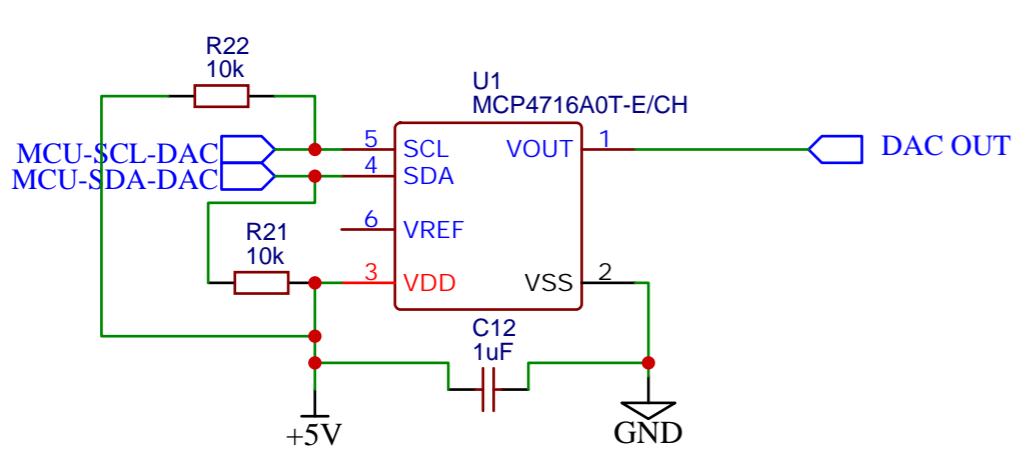
DPO2



TOYOTA2

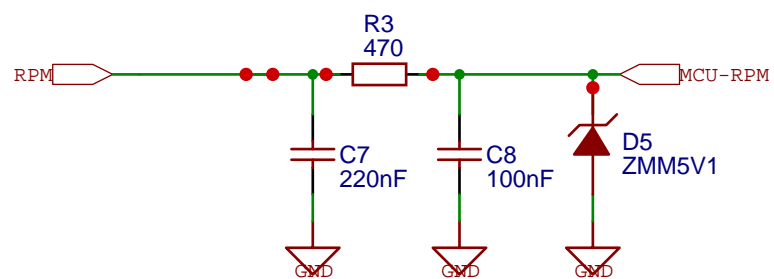


DAC Output

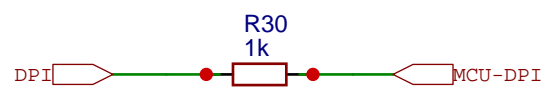


TITLE: Sheet_2		REV: 1.0
EasyEDA	Company: Your Company	Sheet: 1/1
	Date: 2022-02-27	Drawn By: Norman Alphaspeed

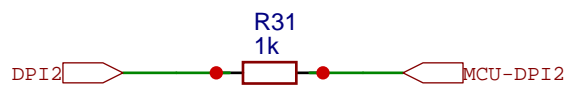
RPM INPUT



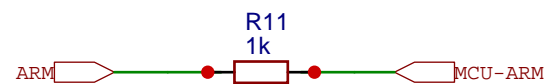
DPI



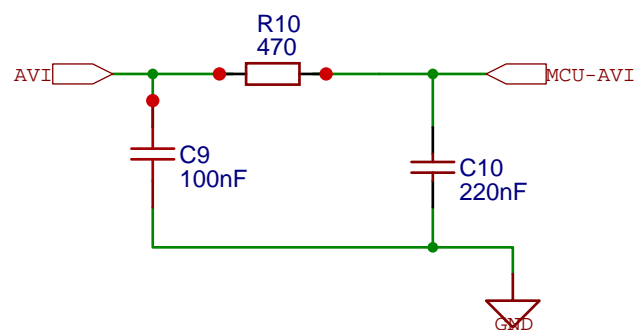
DPI2



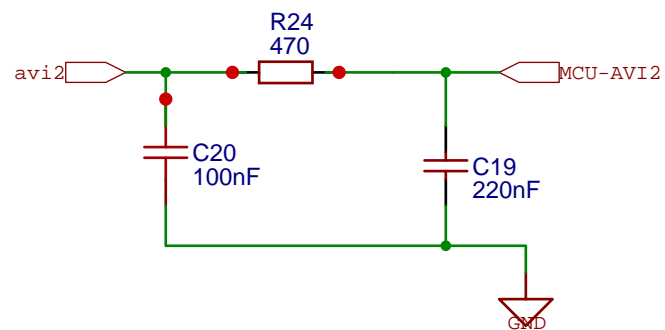
ARM INPUT



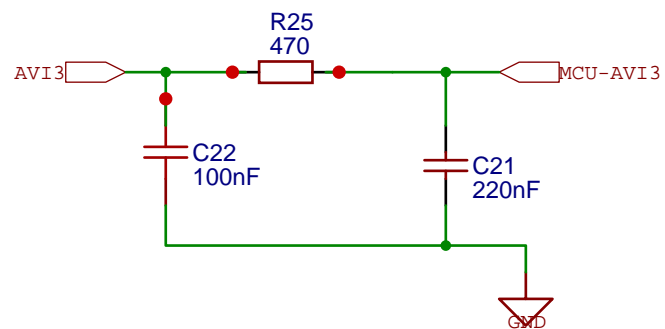
AVI



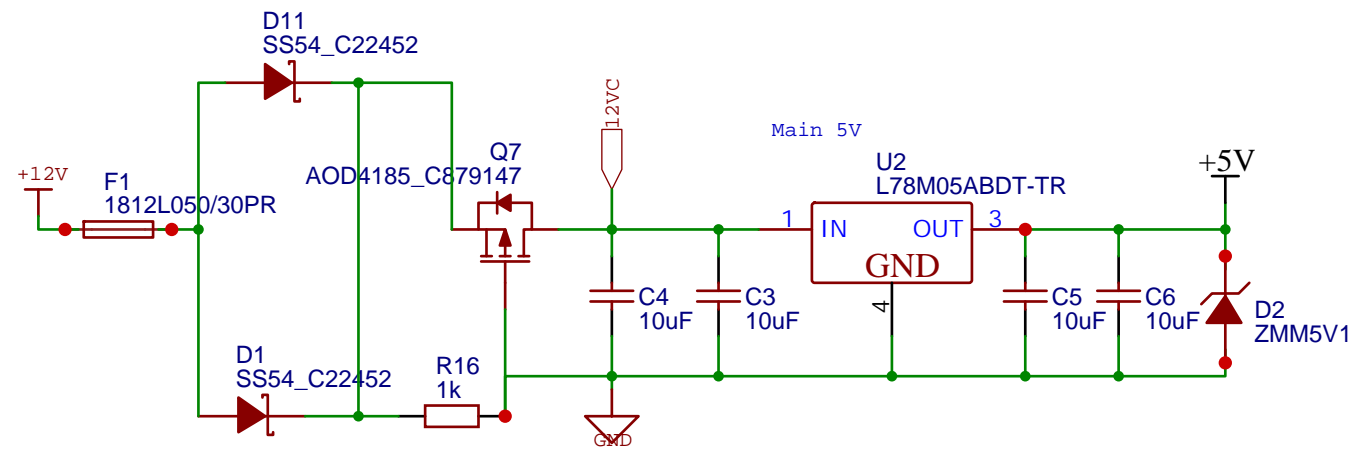
AVI2



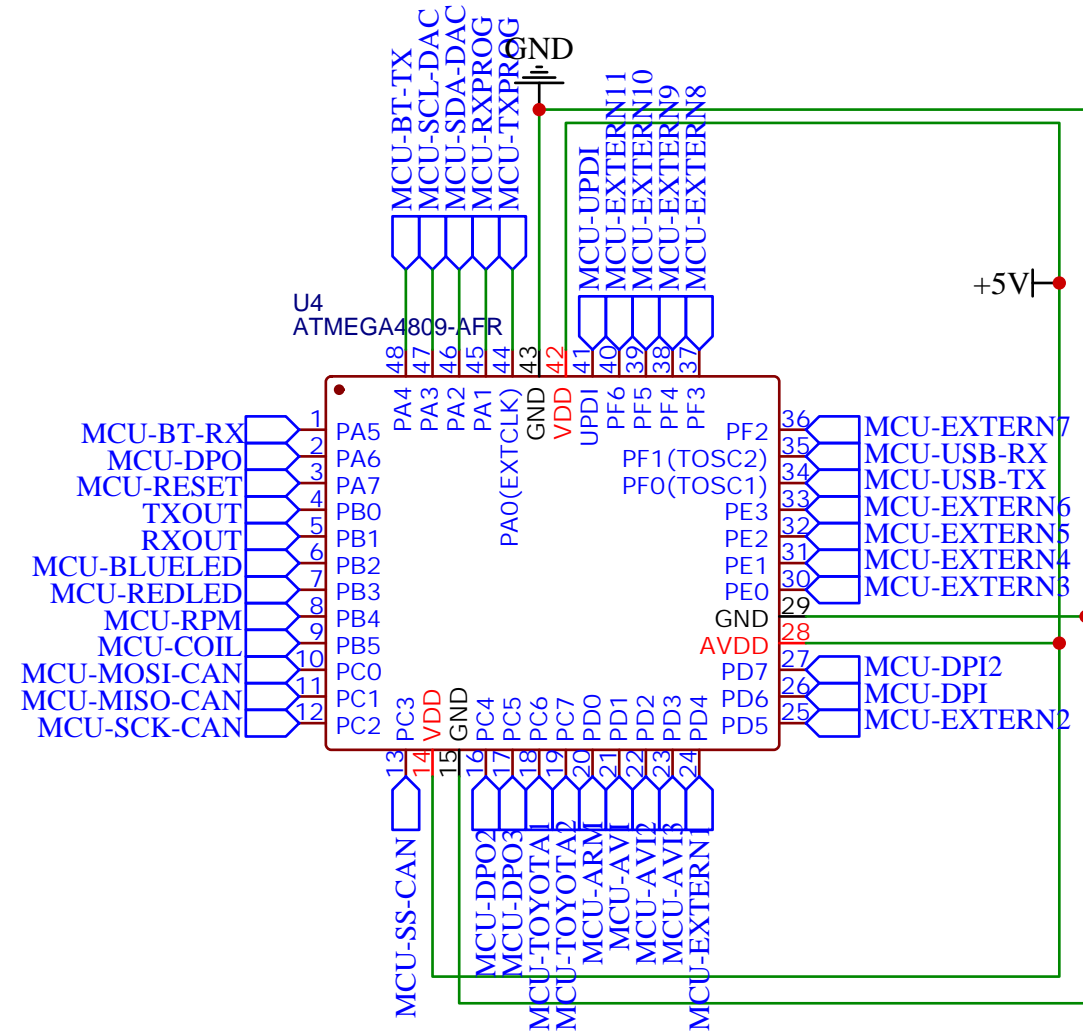
AVI3



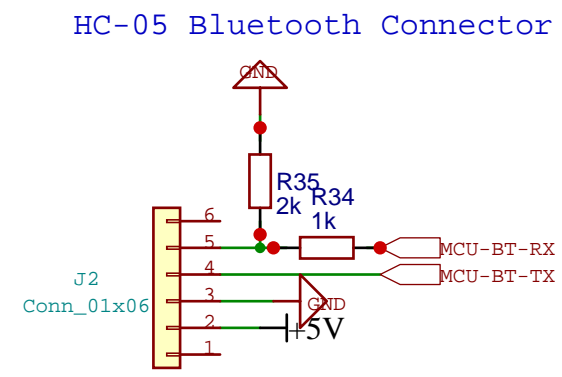
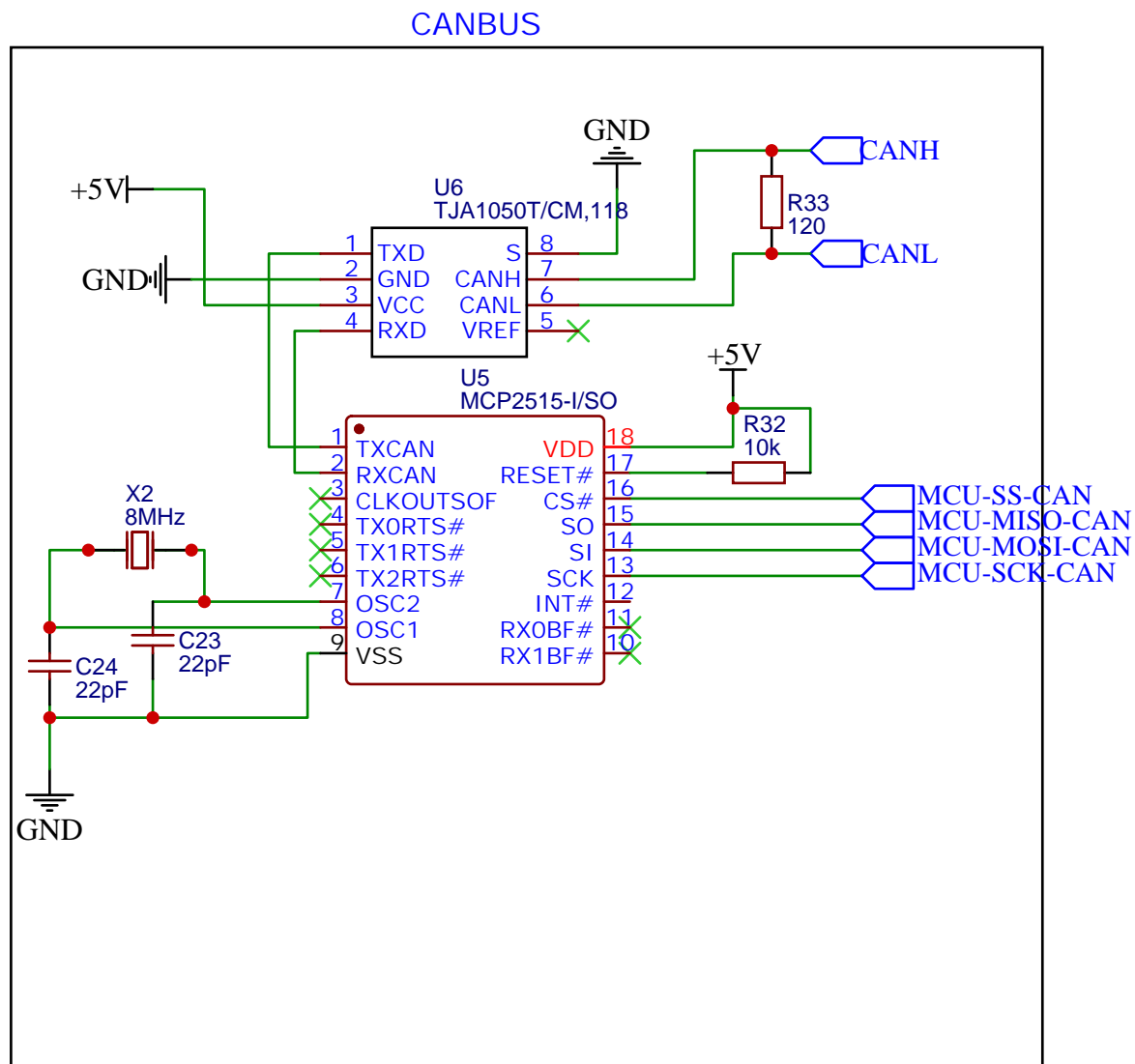
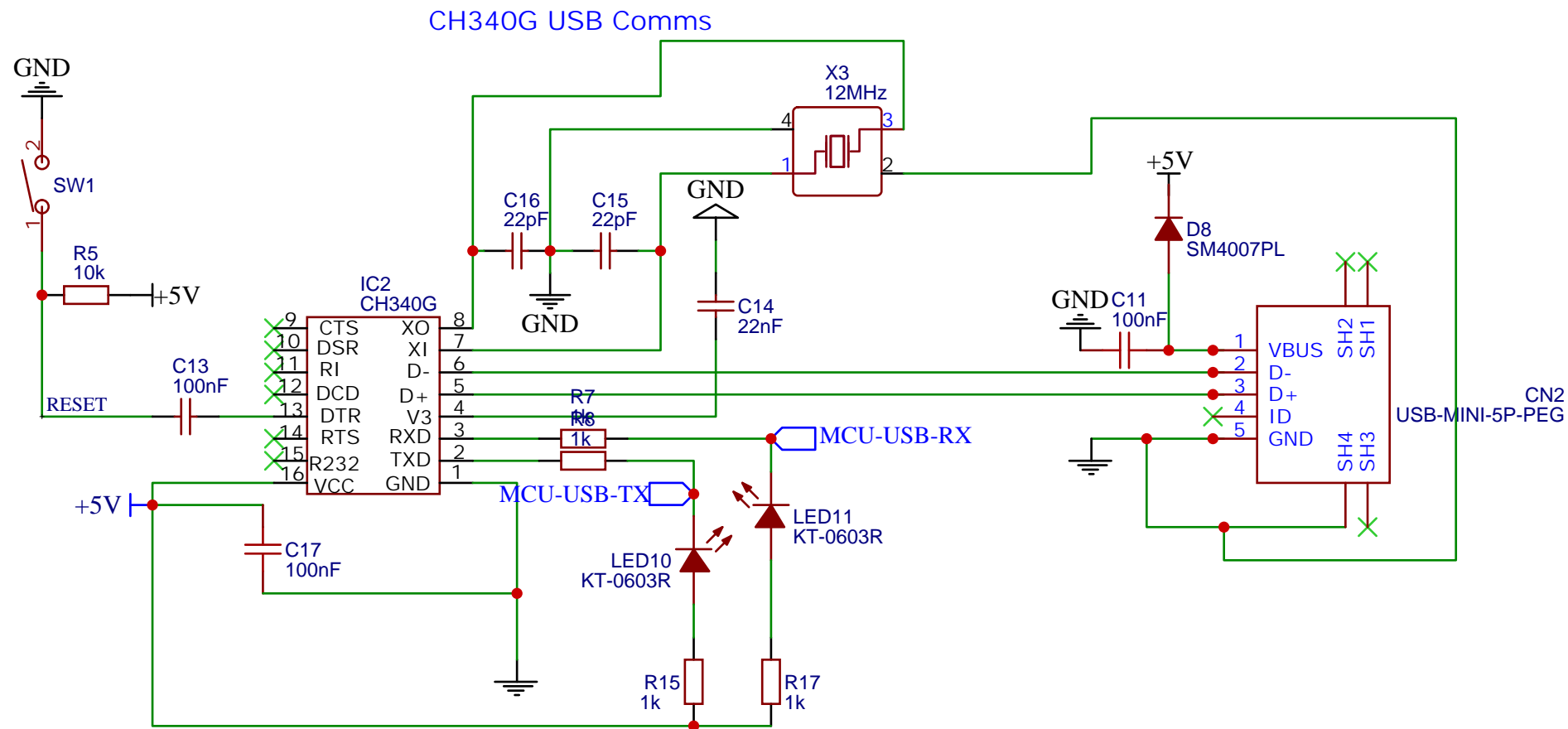
TITLE: Inputs		REV: 1.0
	Company: Your Company	Sheet: 1/1
	Date: 2022-02-27	Drawn By: Norman Alphaspeed



TITLE: Sheet_1		REV: 1.0
	Company: Your Company	Sheet: 1/1
	Date: 2022-02-27	Drawn By: Norman Alphaspeed



TITLE: Sheet_1		REV: 1.0
	Company: Your Company	Sheet: 1/1
	Date: 2022-02-27	Drawn By: Norman Alphaspeed



TITLE:	Sheet_1	REV:	1.0
Company:	Your Company	Sheet:	1/1
Date:	2022-02-28	Drawn By:	Norman Alphaspeed

