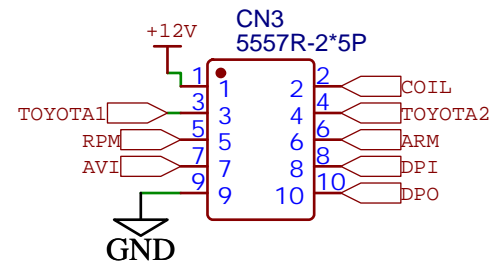
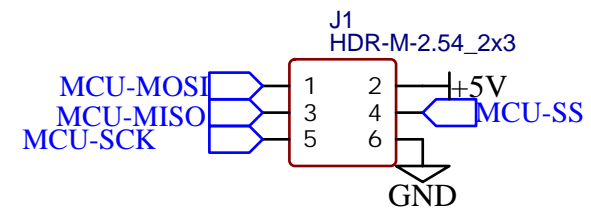


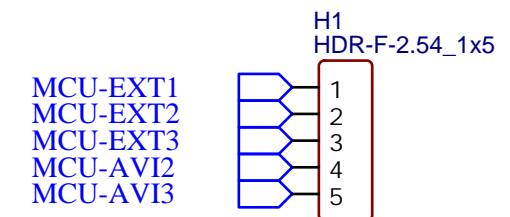
Main Connector



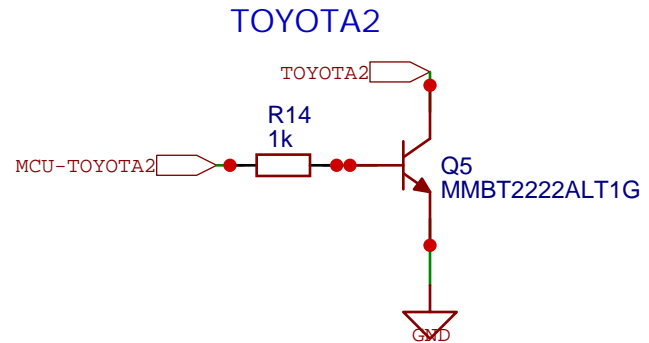
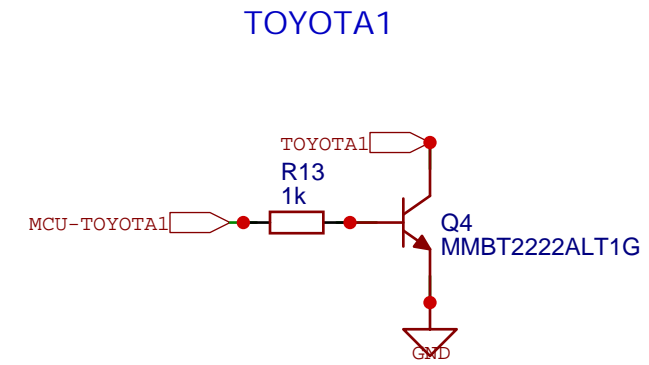
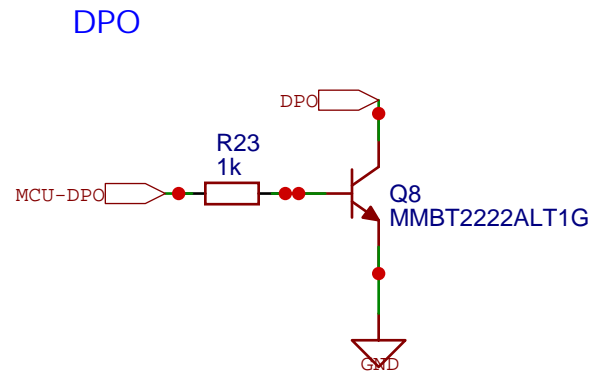
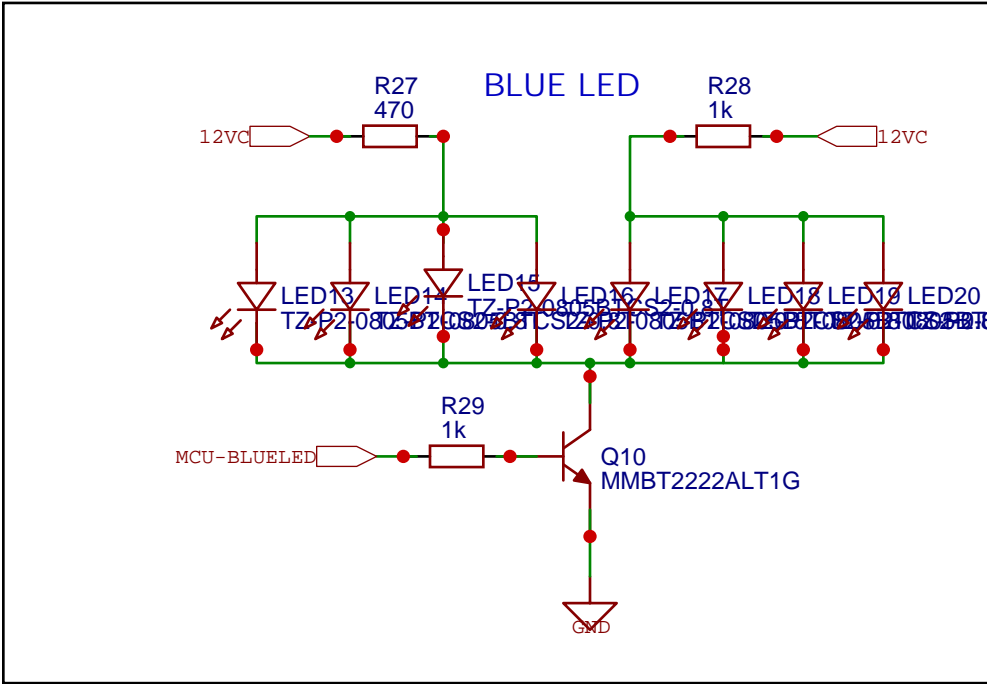
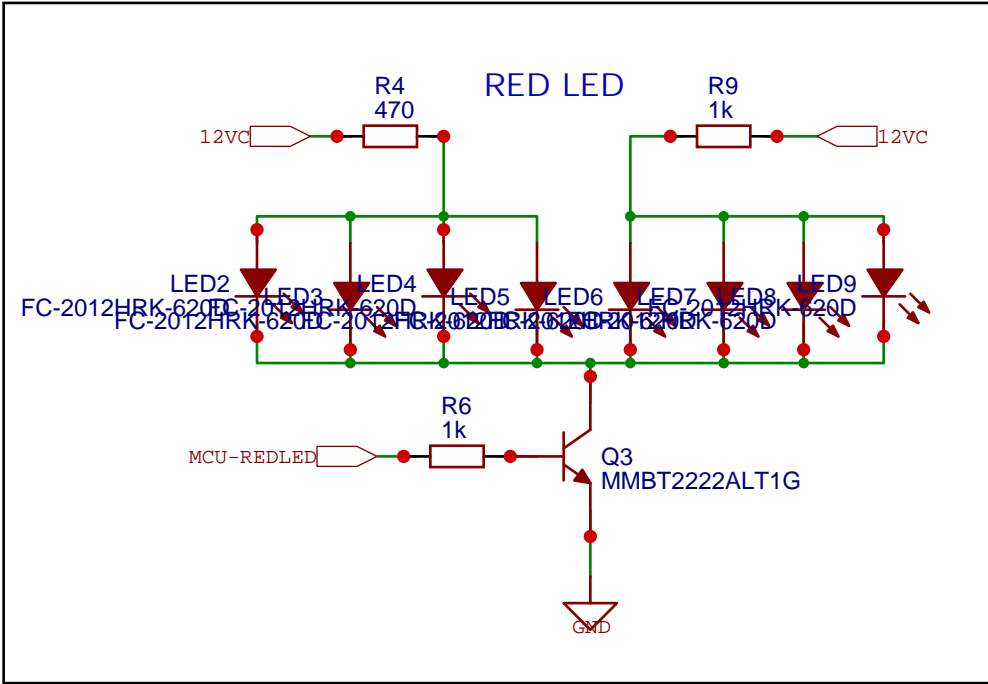
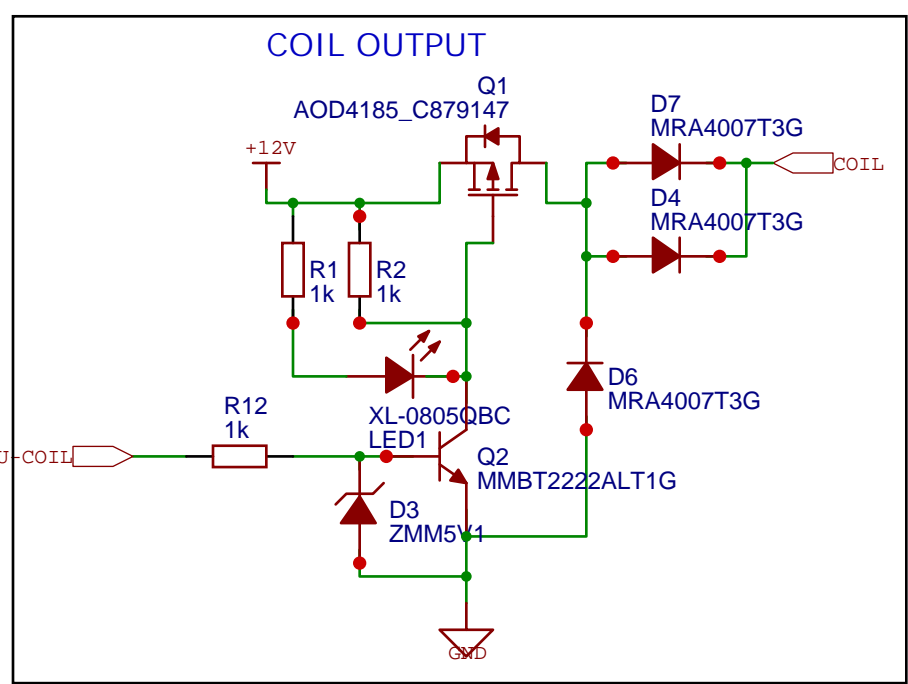
Programming Port



External Pins

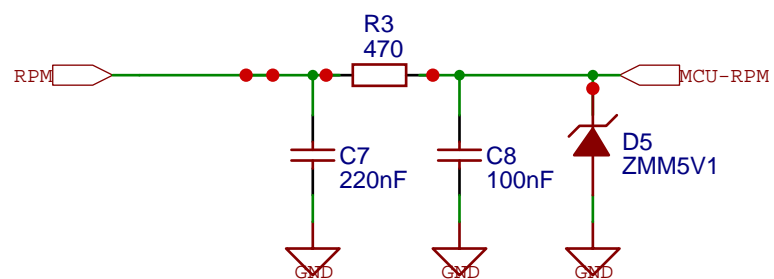


TITLE: SMD TwoStep Box		REV: 1.0
	Company: AlphaX	Sheet: 1/1
	Date: 2022-02-26	Drawn By: Norman Alphaspeed

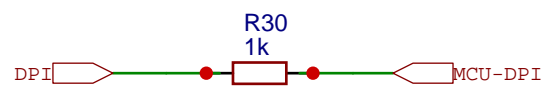


TITLE: Sheet_2		REV: 1.0
EasyEDA	Company: Your Company	Sheet: 1/1
	Date: 2022-02-27	Drawn By: Norman Alphaspeed

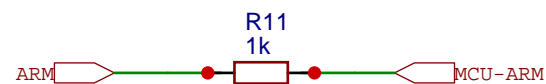
RPM INPUT



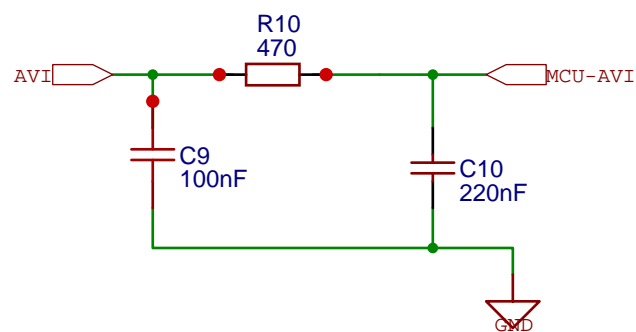
DPI



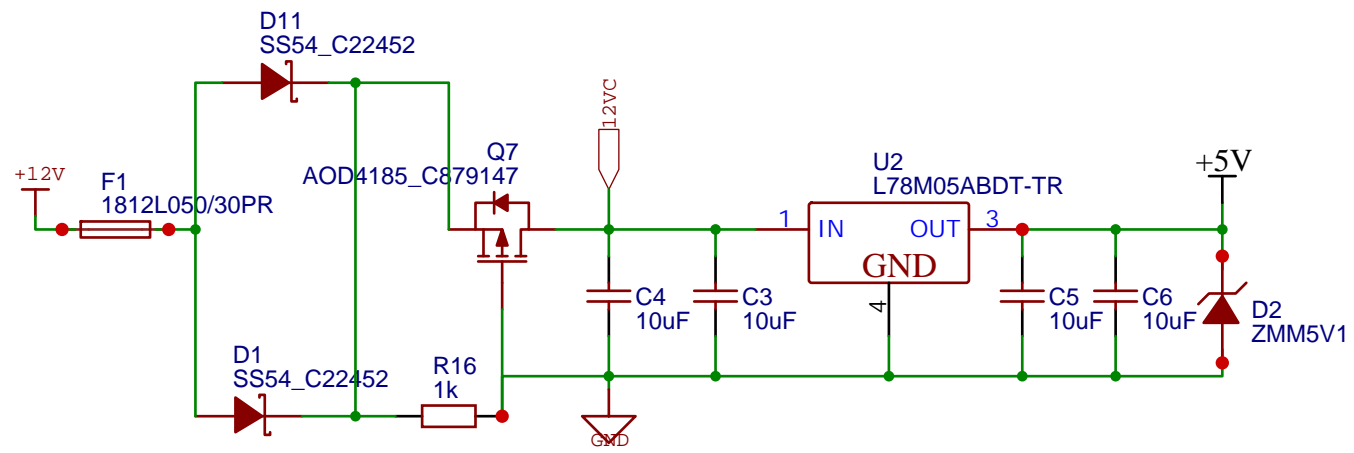
ARM INPUT




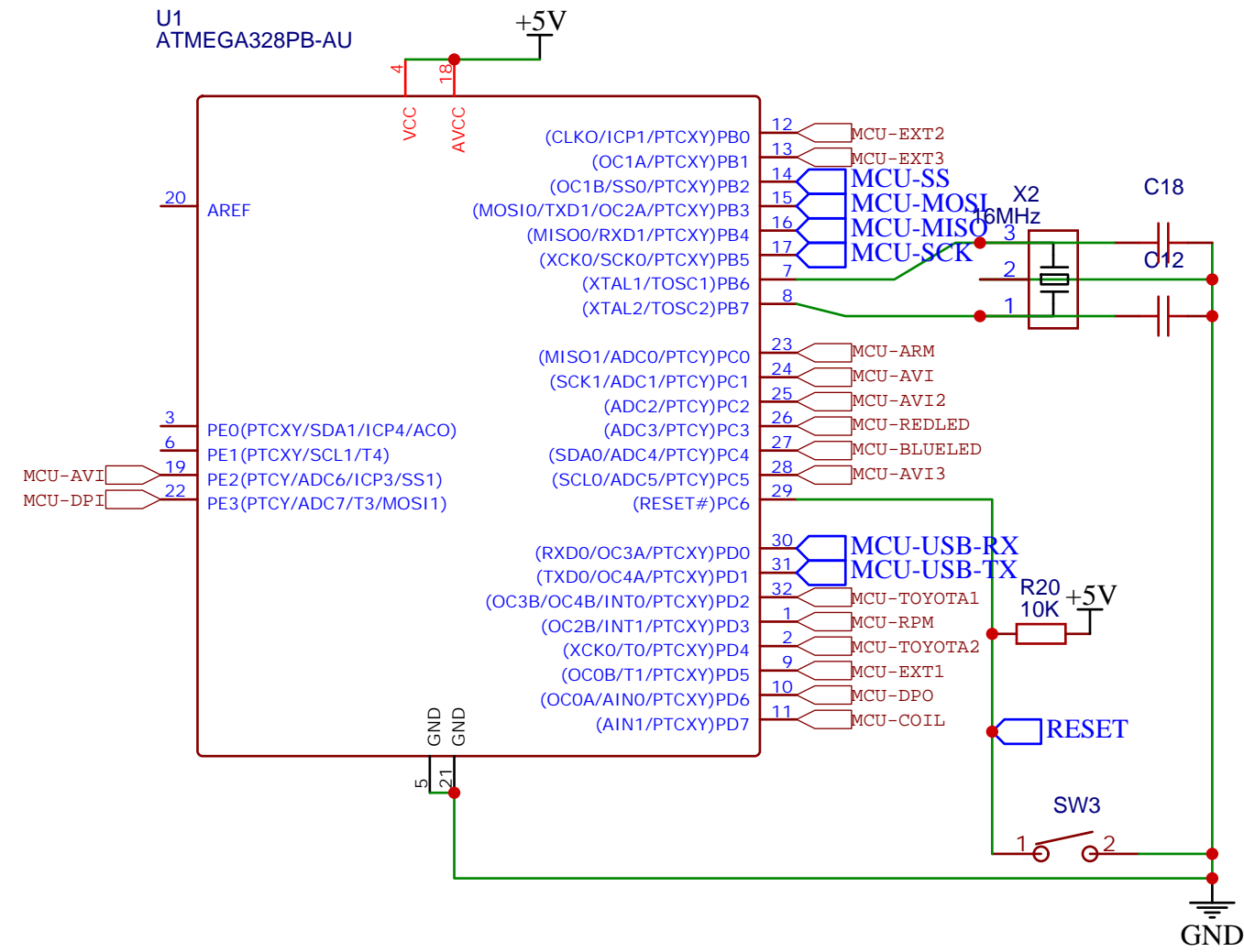
AVI



TITLE: Inputs		REV: 1.0
EasyEDA	Company: Your Company	Sheet: 1/1
	Date: 2022-02-27	Drawn By: Norman Alphaspeed



TITLE: Sheet_1		REV: 1.0
	Company: Your Company	Sheet: 1/1
	Date: 2022-02-27	Drawn By: Norman Alphaspeed



TITLE: Sheet_1		REV: 1.0
	Company: Your Company	Sheet: 1/1
	Date: 2022-02-27	Drawn By: Norman Alphaspeed

