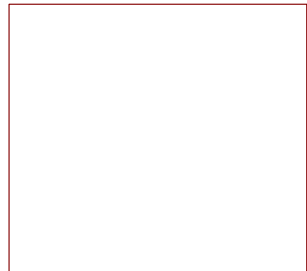
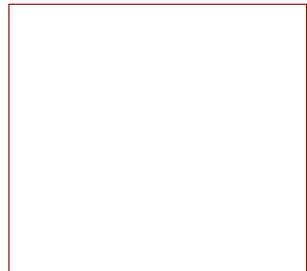


Solenoids

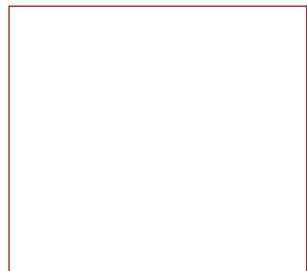


File: Solenoids.kicad_sch

Power



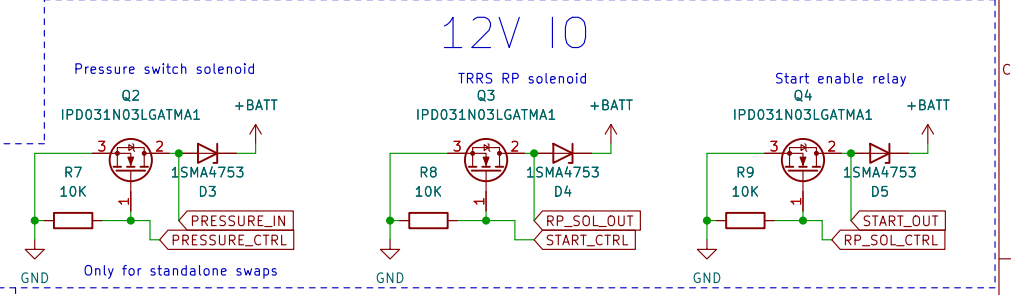
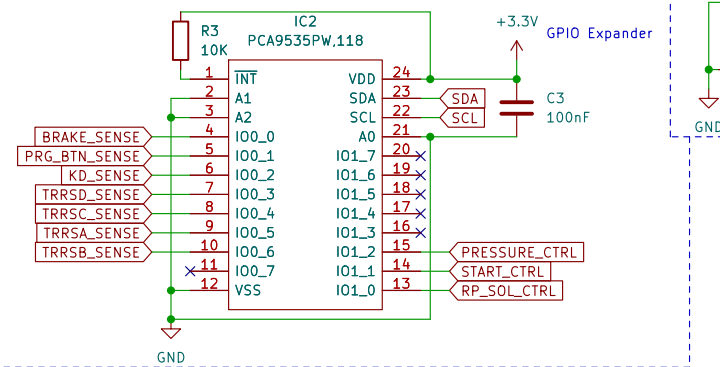
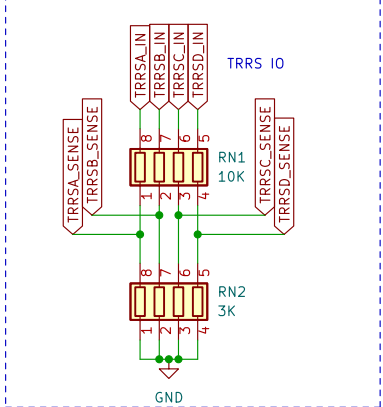
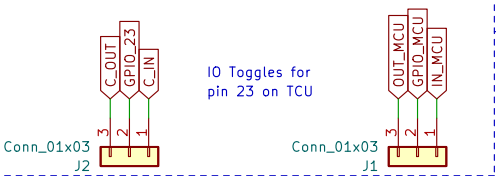
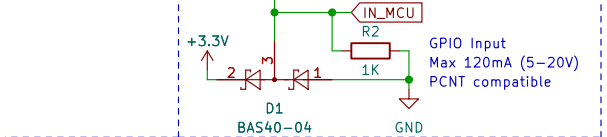
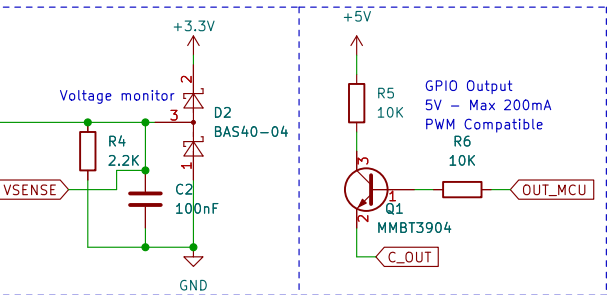
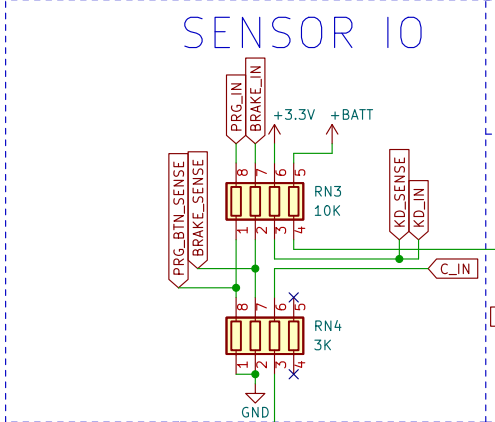
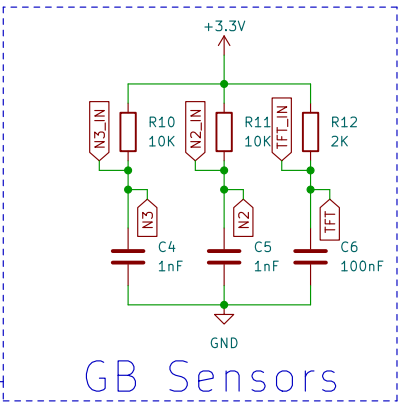
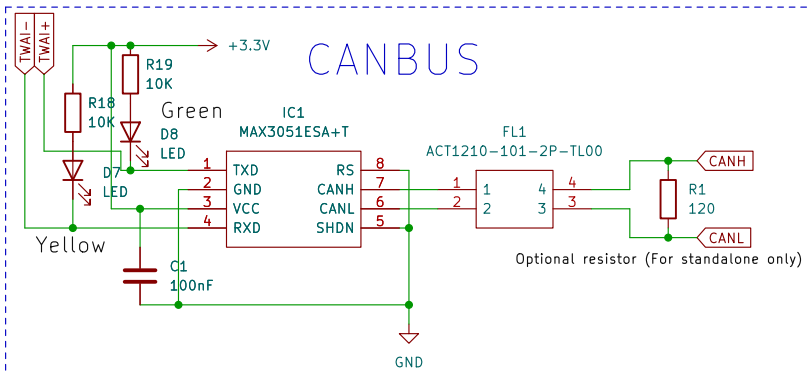
File: power.kicad_sch



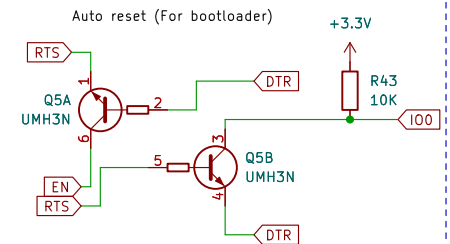
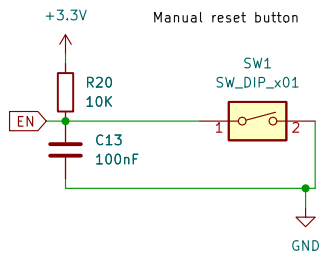
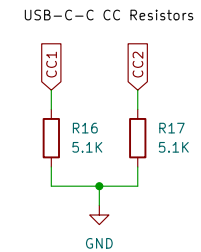
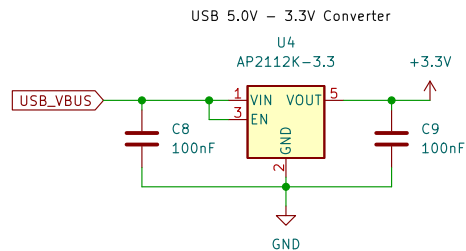
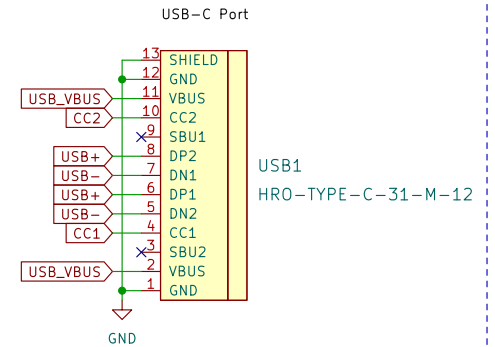
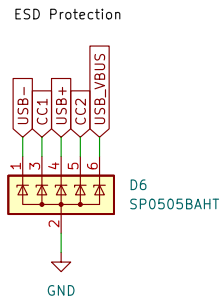
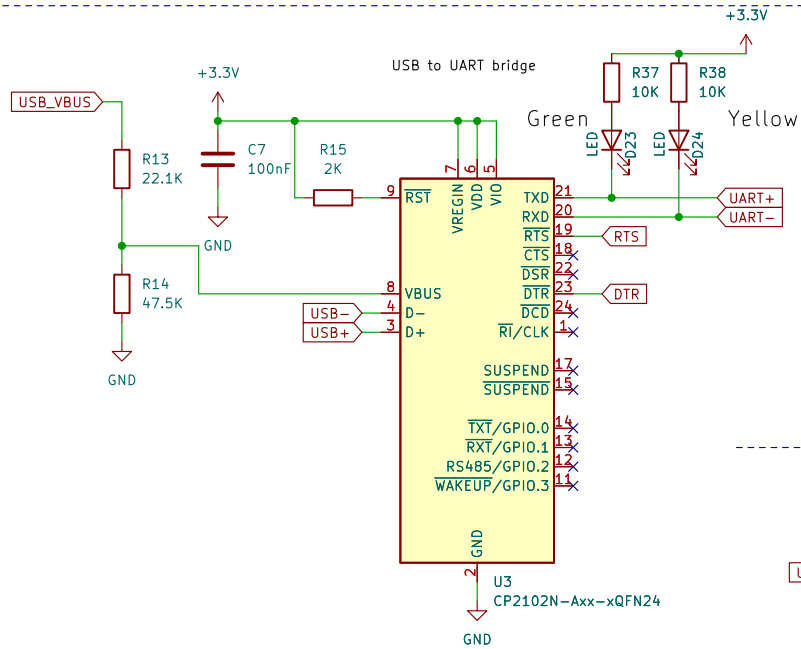
File: IO.kicad_sch



File: USB.kicad_sch



Sheet: /10/ File: IO.kicad_sch	
Title: Ultimate NAG52 PCB	
Size: A4	Date: 2022-11-29
KiCad E.D.A. kicad (6.0.9)	Rev: 1.3 Id: 2/5

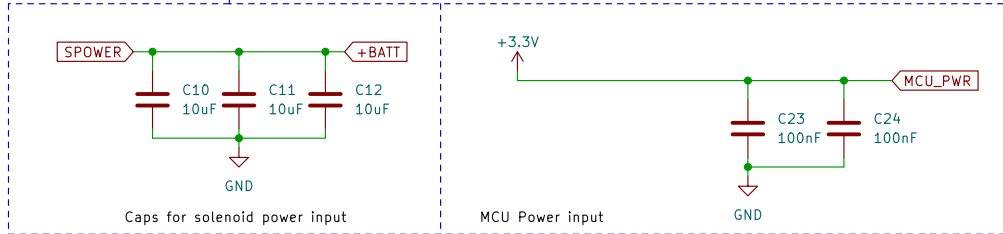
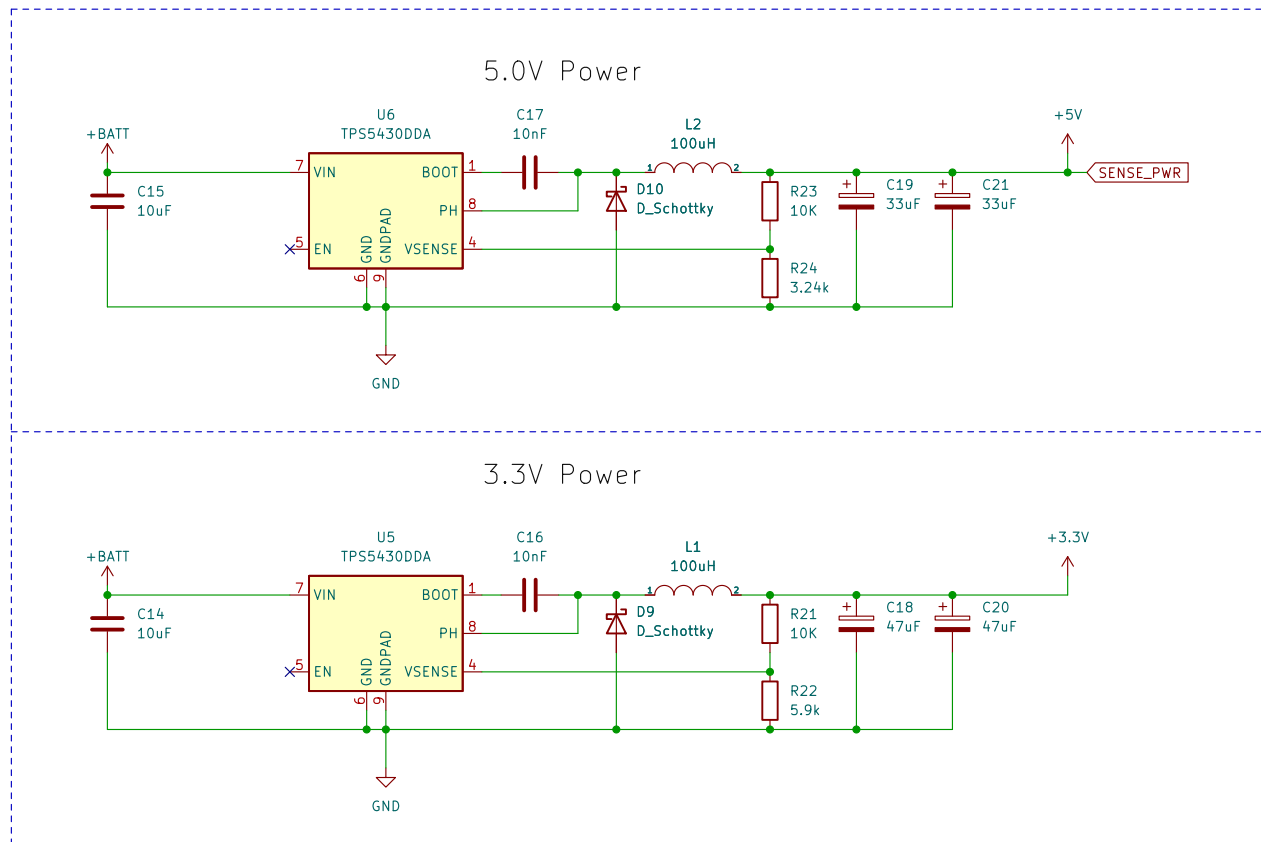


Sheet: /USB/
File: USB.kicad_sch

Title: Ultimate NAG52 PCB

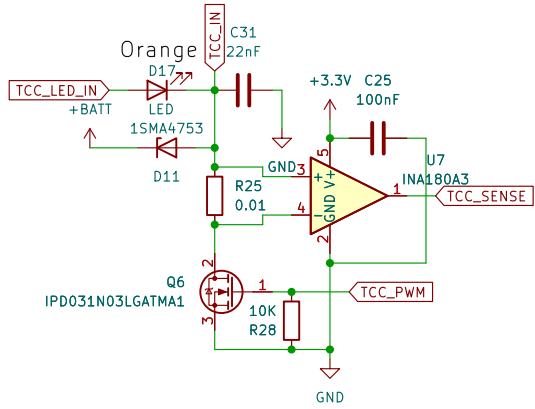
Size: A4 Date: 2022-11-29
KiCad E.D.A. kicad (6.0.9)

Rev: 1.3
Id: 3/5

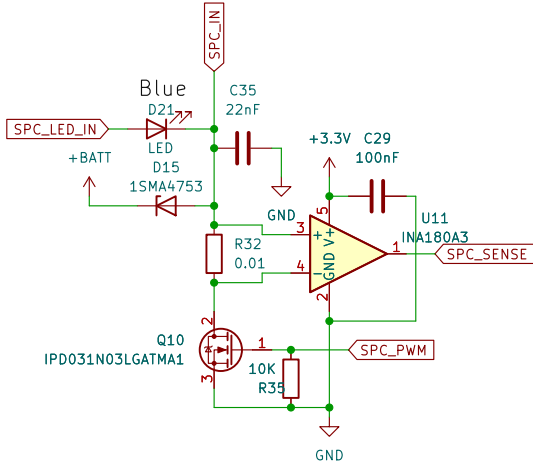


Sheet: /Power/	
File: power.kicad_sch	
Title: Ultimate NAG52 PCB	
Size: A4	Date: 2022-11-29
KiCad E.D.A. kicad (6.0.9)	Rev: 1.3
	Id: 4/5

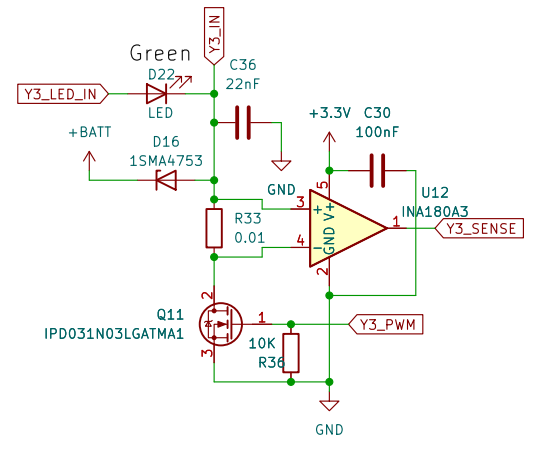
TCC solenoid



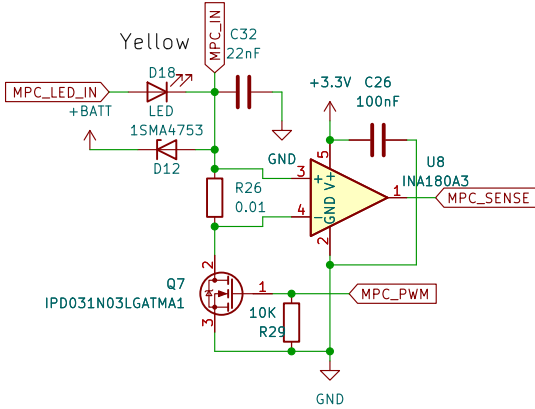
SPC solenoid



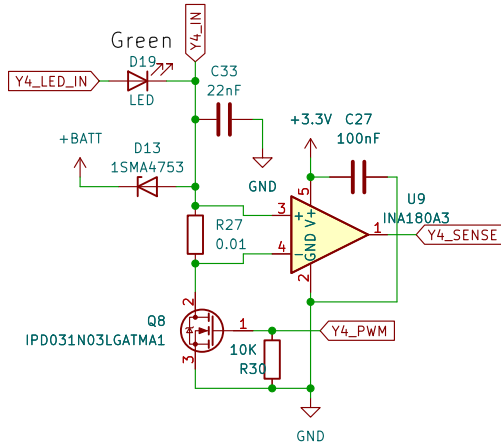
Y3 solenoid



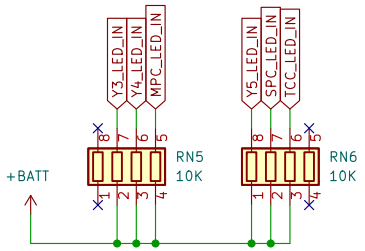
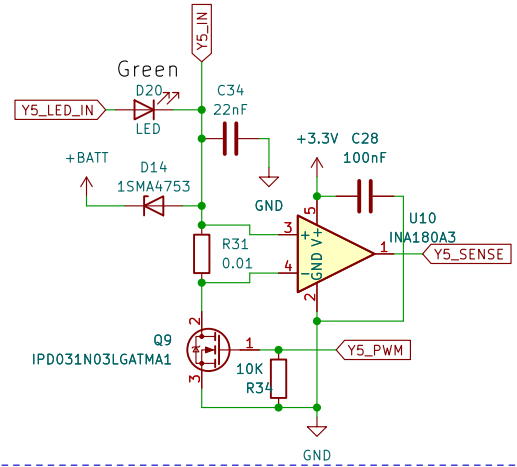
MPC solenoid



Y4 solenoid



Y5 solenoid



Sheet: /Solenoids/
File: Solenoids.kicad_sch

Title: Ultimate NAG52 PCB

Size: A4 Date: 2022-11-29
KiCad E.D.A. kicad (6.0.9)

Rev: 1.3
Id: 5/5