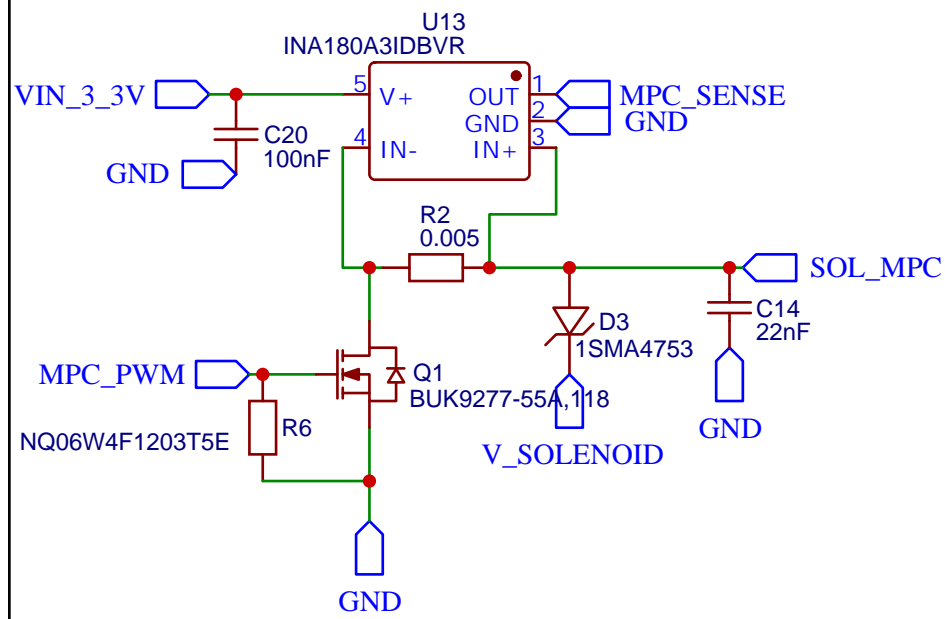
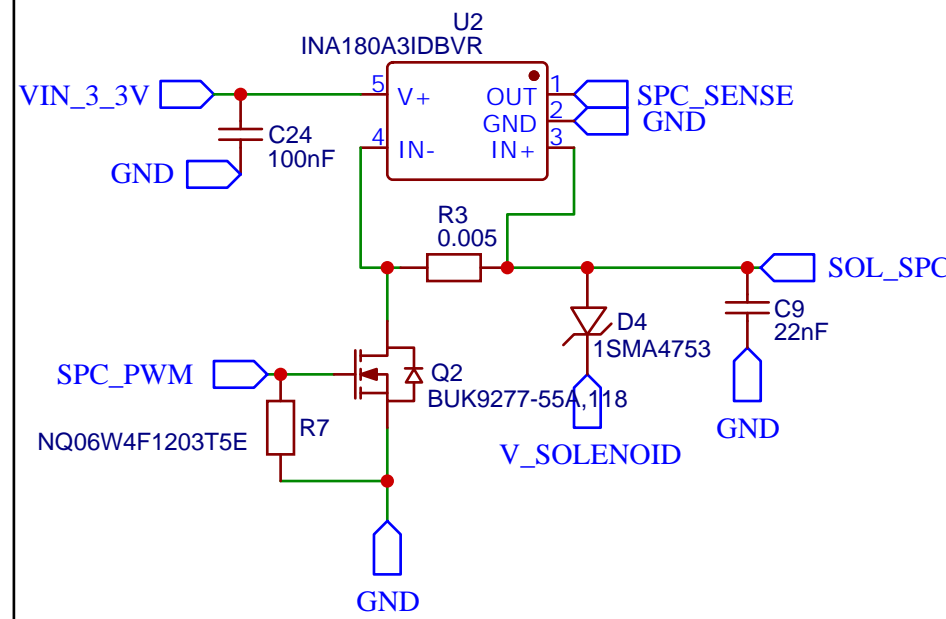


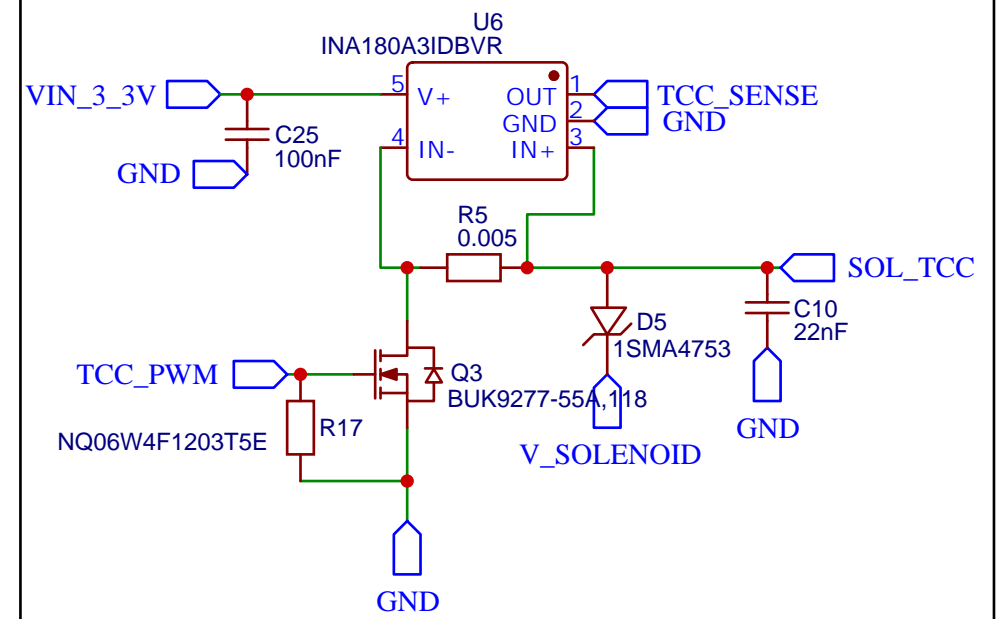
Modulating pressure



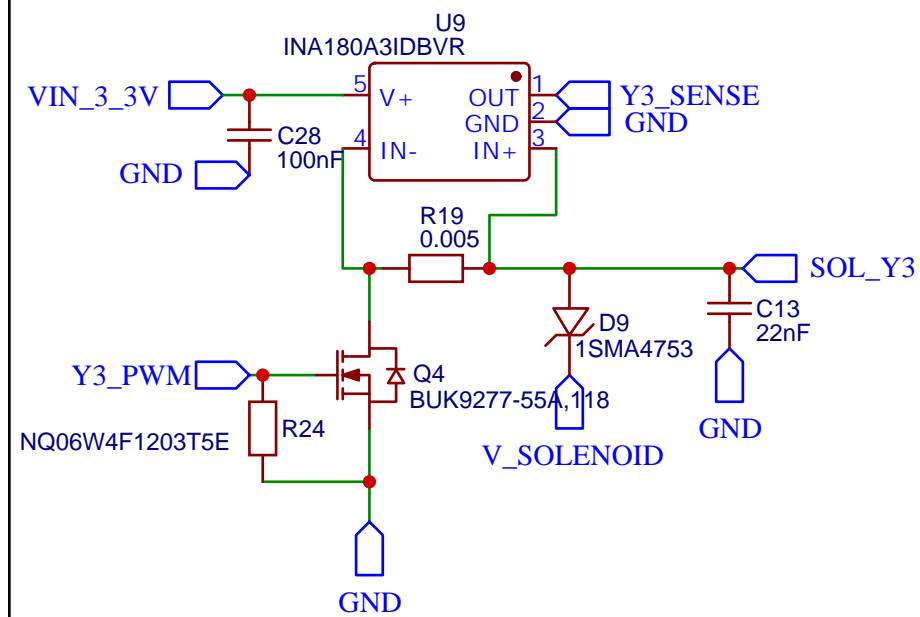
Shift pressure



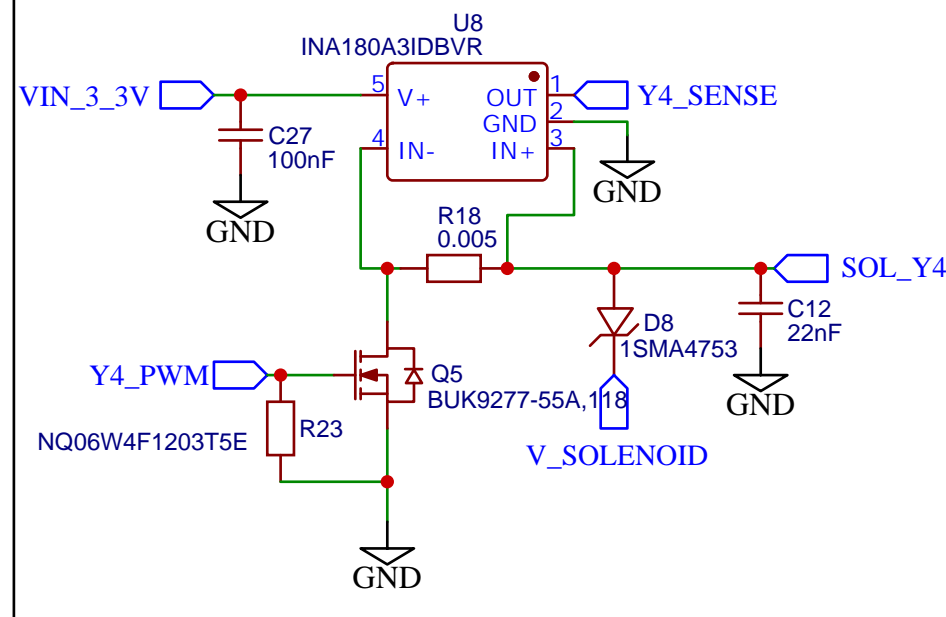
Torque converter



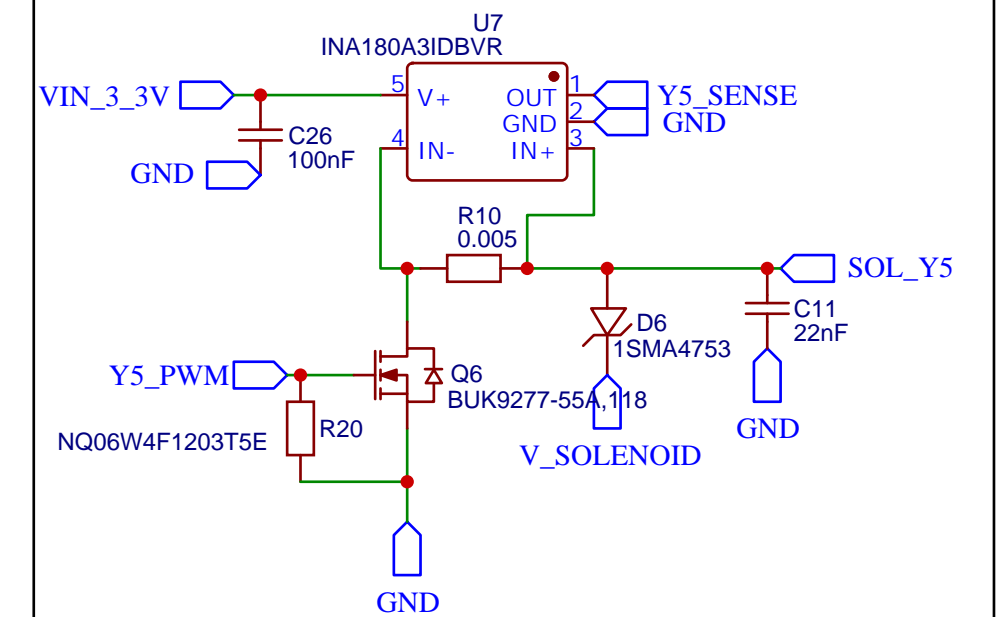
Y3 shift valve



Y4 shift valve



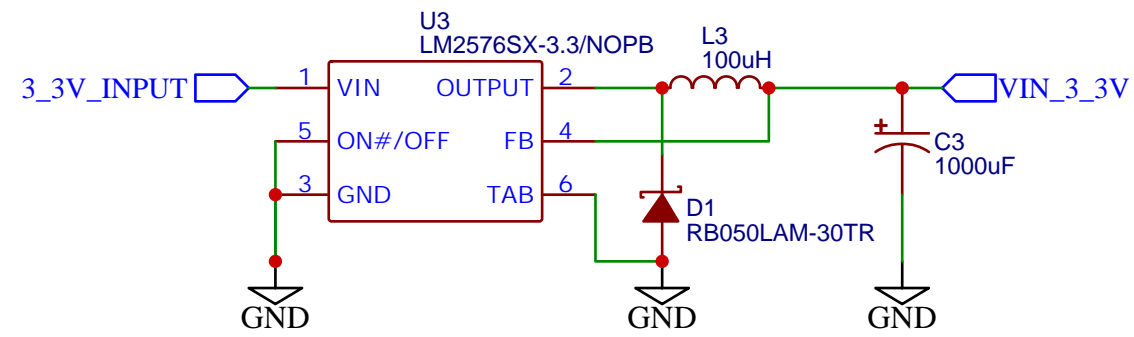
Y5 shift valve



NOTE: MPC,SPC,TCC solenoids operate at varying PWM frequencies while Y3/Y4/Y5 operate as ON/OFF solenoids, unless cranking or during garage shifting

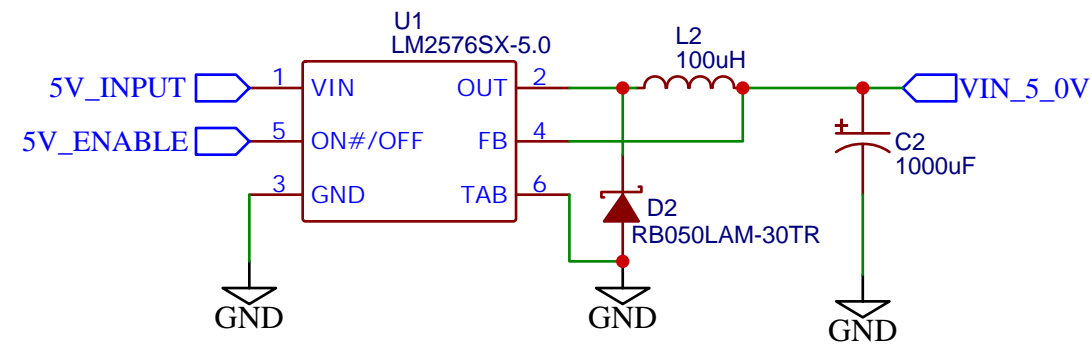
TITLE: Solenoid control		REV: 1.0
EasyEDA	Company: rnd-ash@github.com	Sheet: 1/1
	Date: 2021-08-05	Drawn By: rnd-ash

3.3V POWER



NOTE: 3.3V Power is ALWAYS enabled

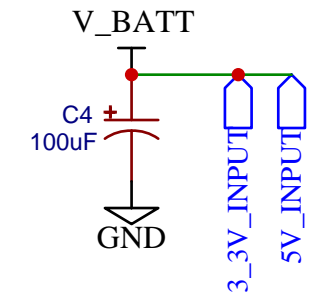
5.0V POWER



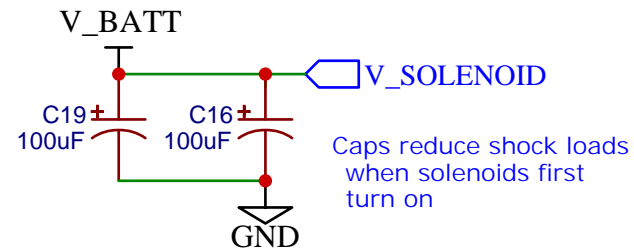
NOTE: ESP32 can disable 5.0V power to sensors via 5V_ENABLE pin if overvoltage is detected within sensors

BATTERY INPUT

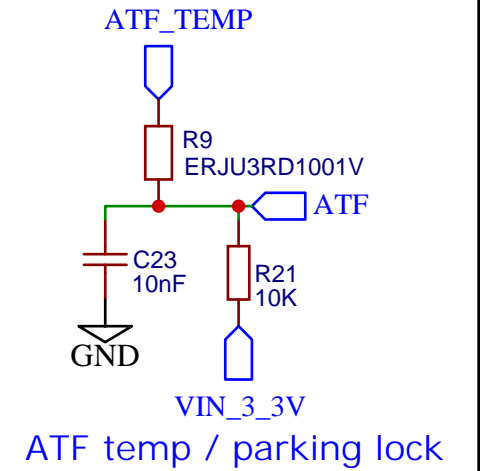
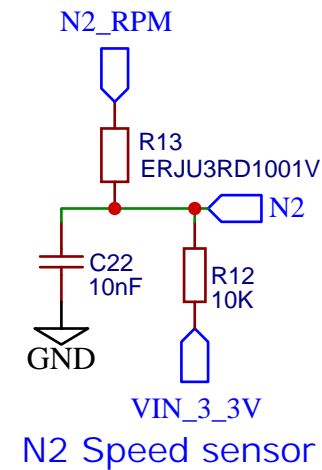
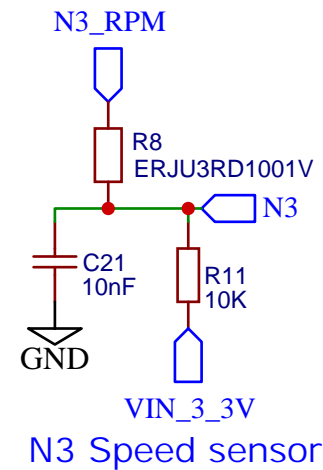
NOTE: 10A fuse is not required on PCB
SAM-F has the 10A fuse for TCM



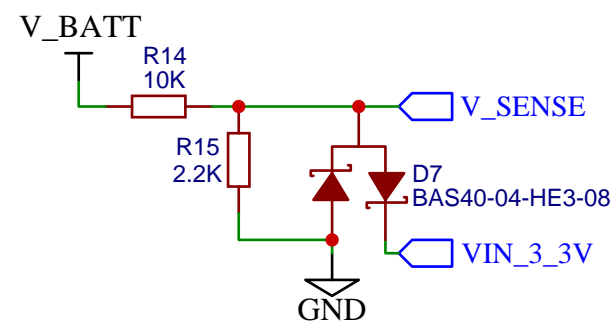
SOLENOID POWER



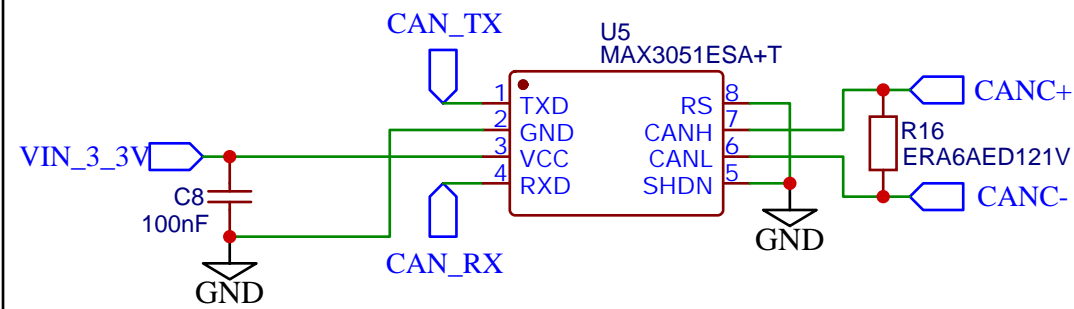
GEARBOX SENSORS



VOLTAGE MONITOR



CANBUS



NOTE: R16 is optional. In a car, the engine ECU provides this resistor

TITLE: CAN, Power and sensors		REV: 1.0
EasyEDA	Company: rnd-ash@github.com	Sheet: 1/1
	Date: 2021-08-05 Drawn By: rnd-ash	