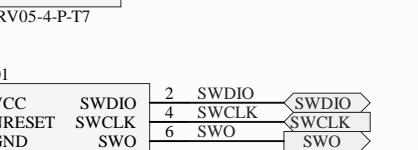
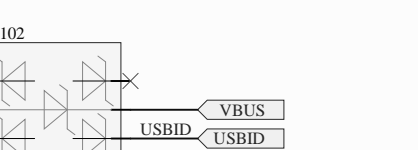
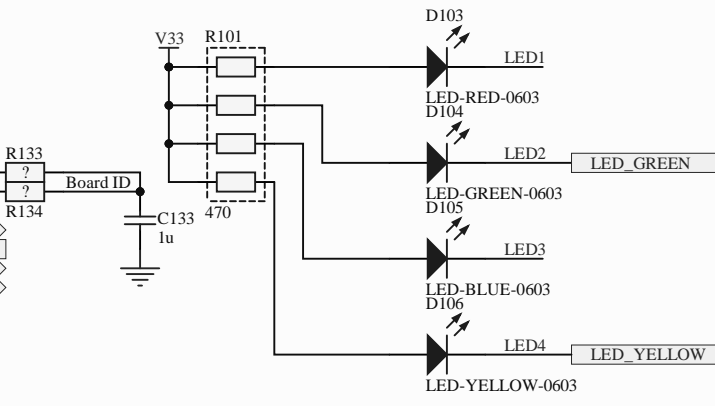
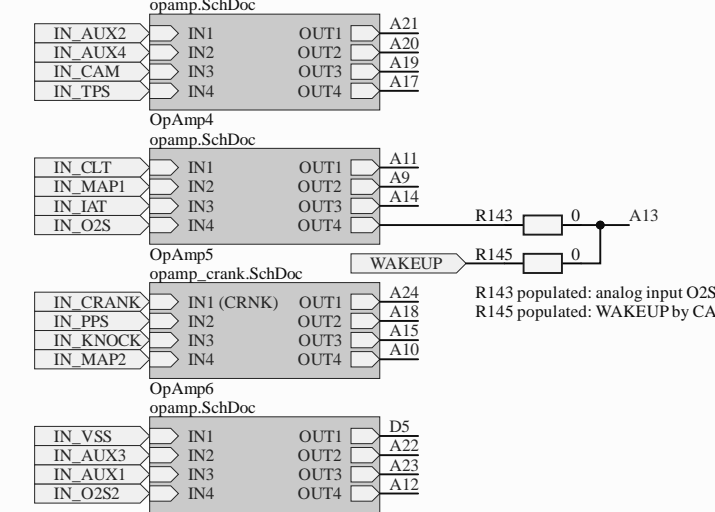
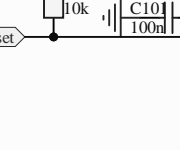
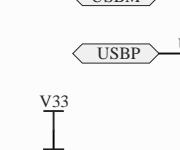
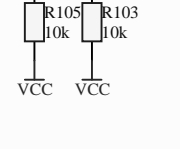
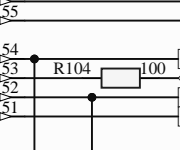
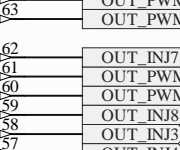
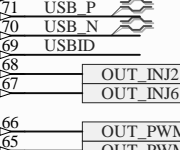
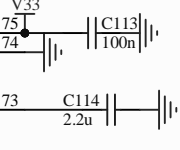
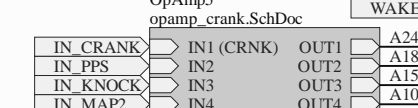
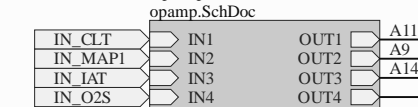
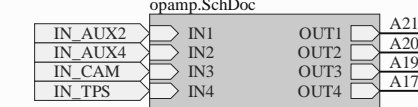
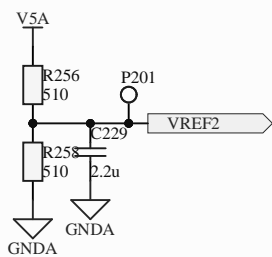
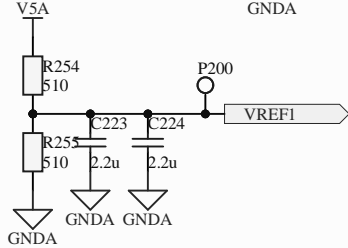
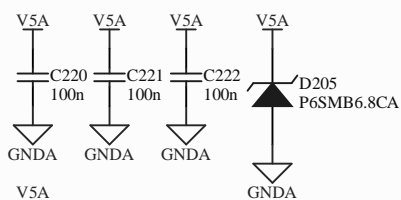
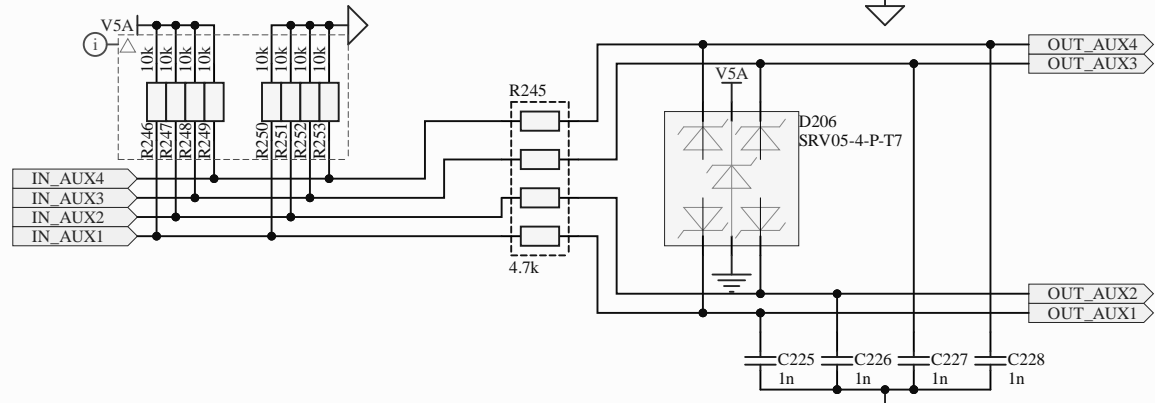
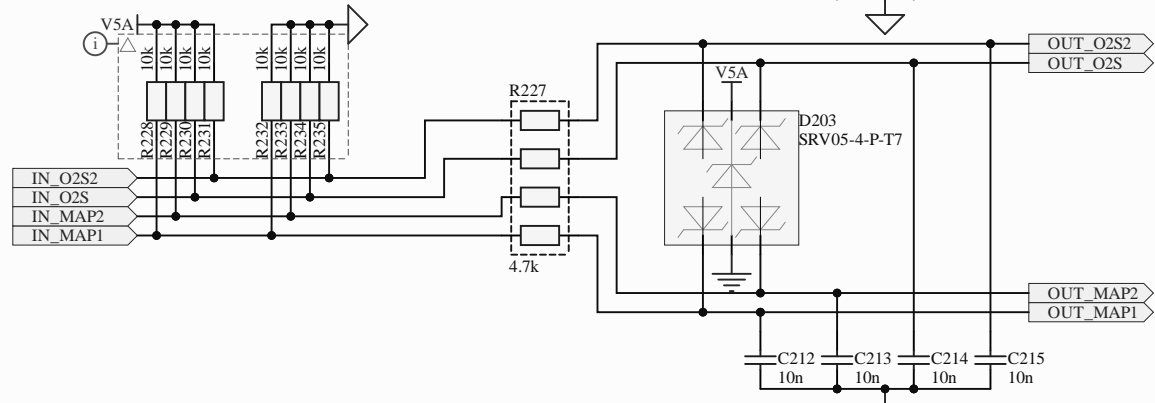
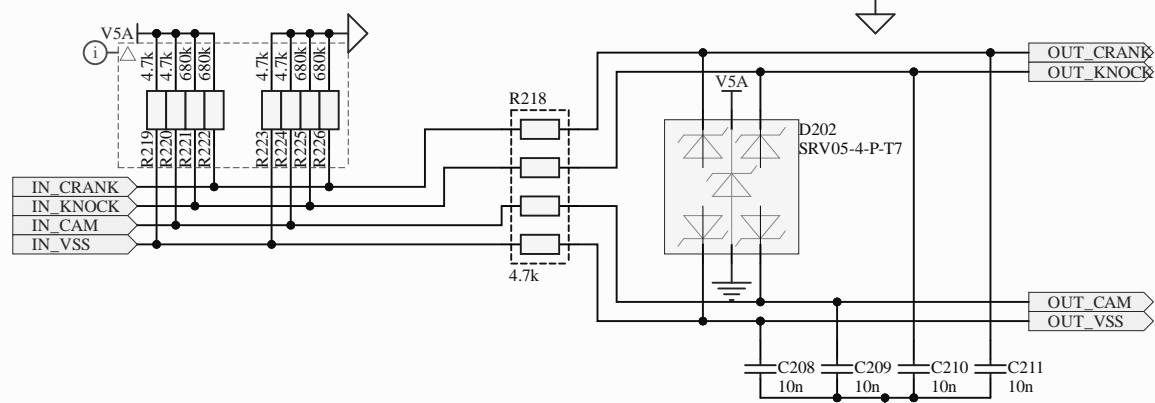
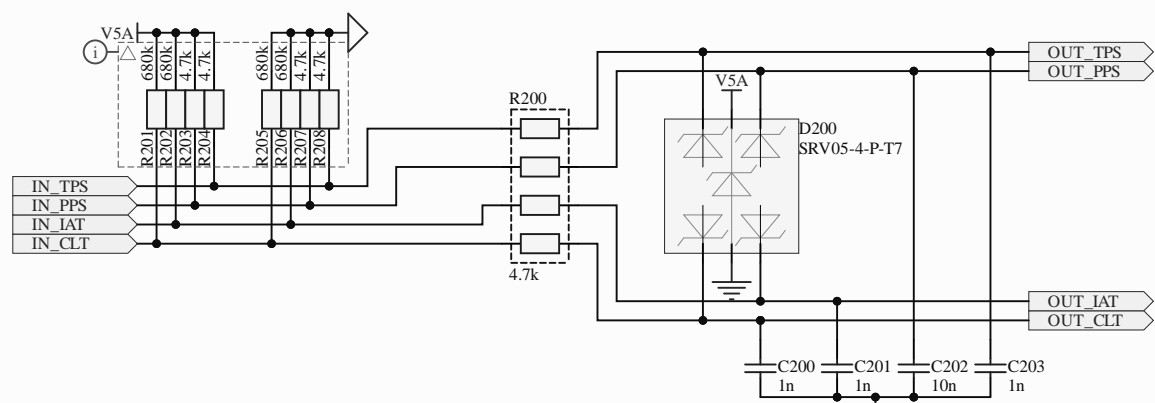
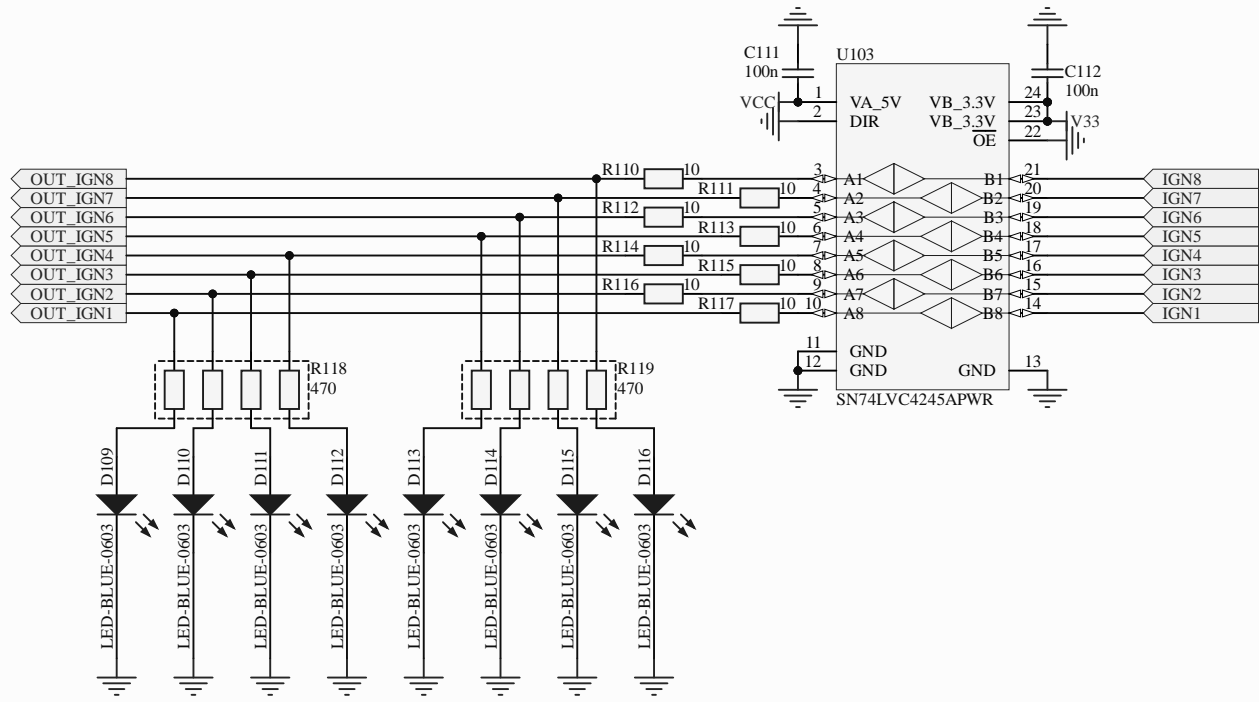
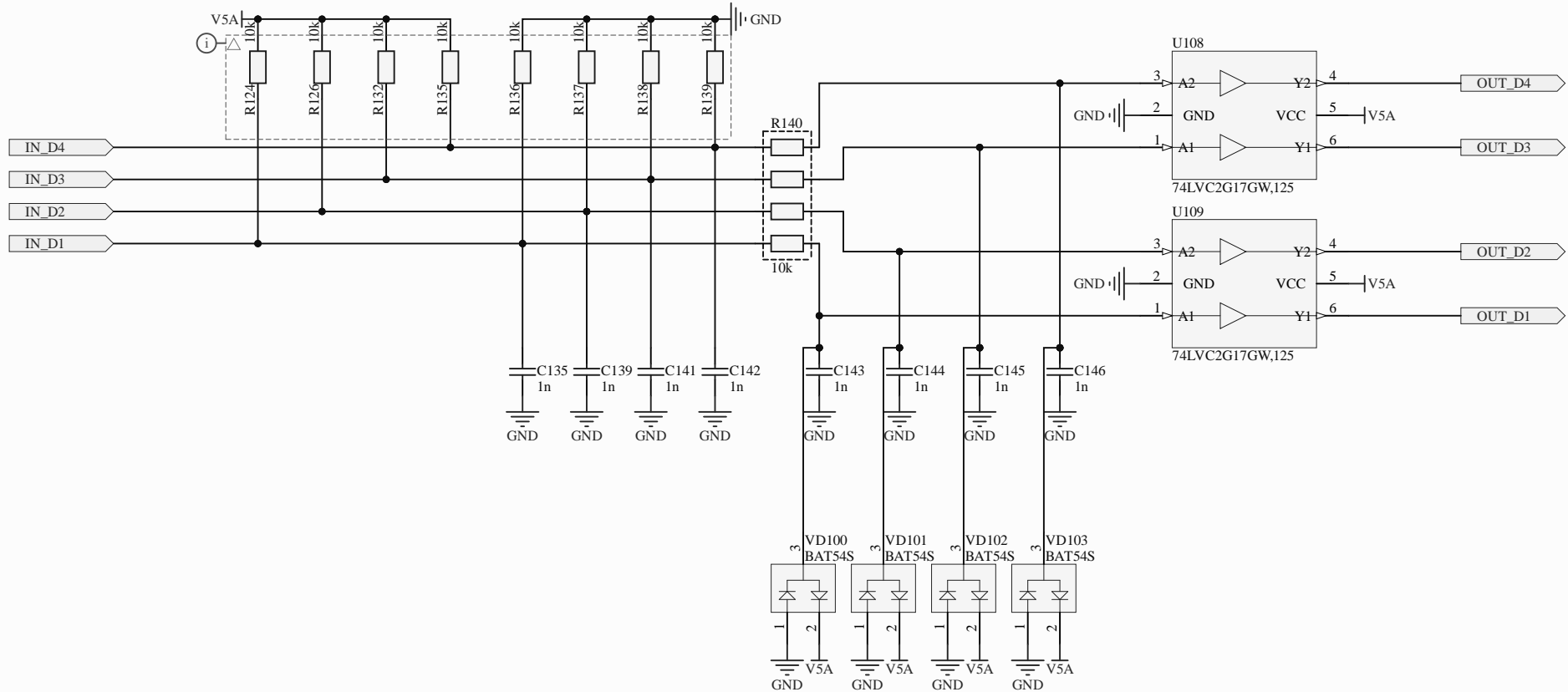


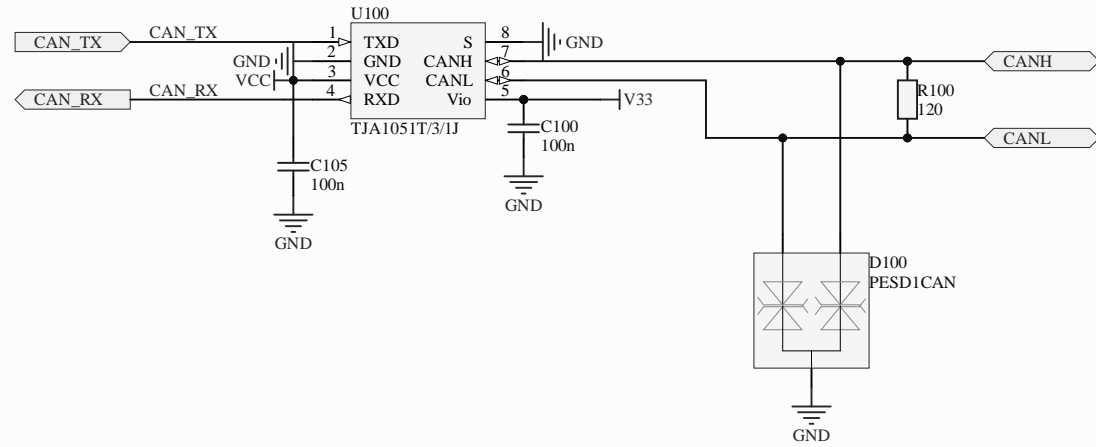
*VIGN input is unprotected!
*A21 is duplicated for ADC and EINT



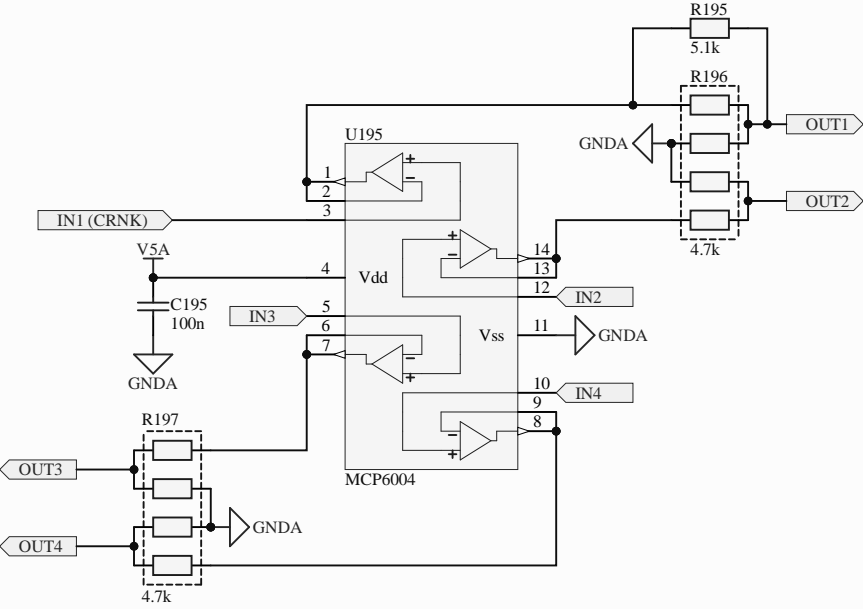


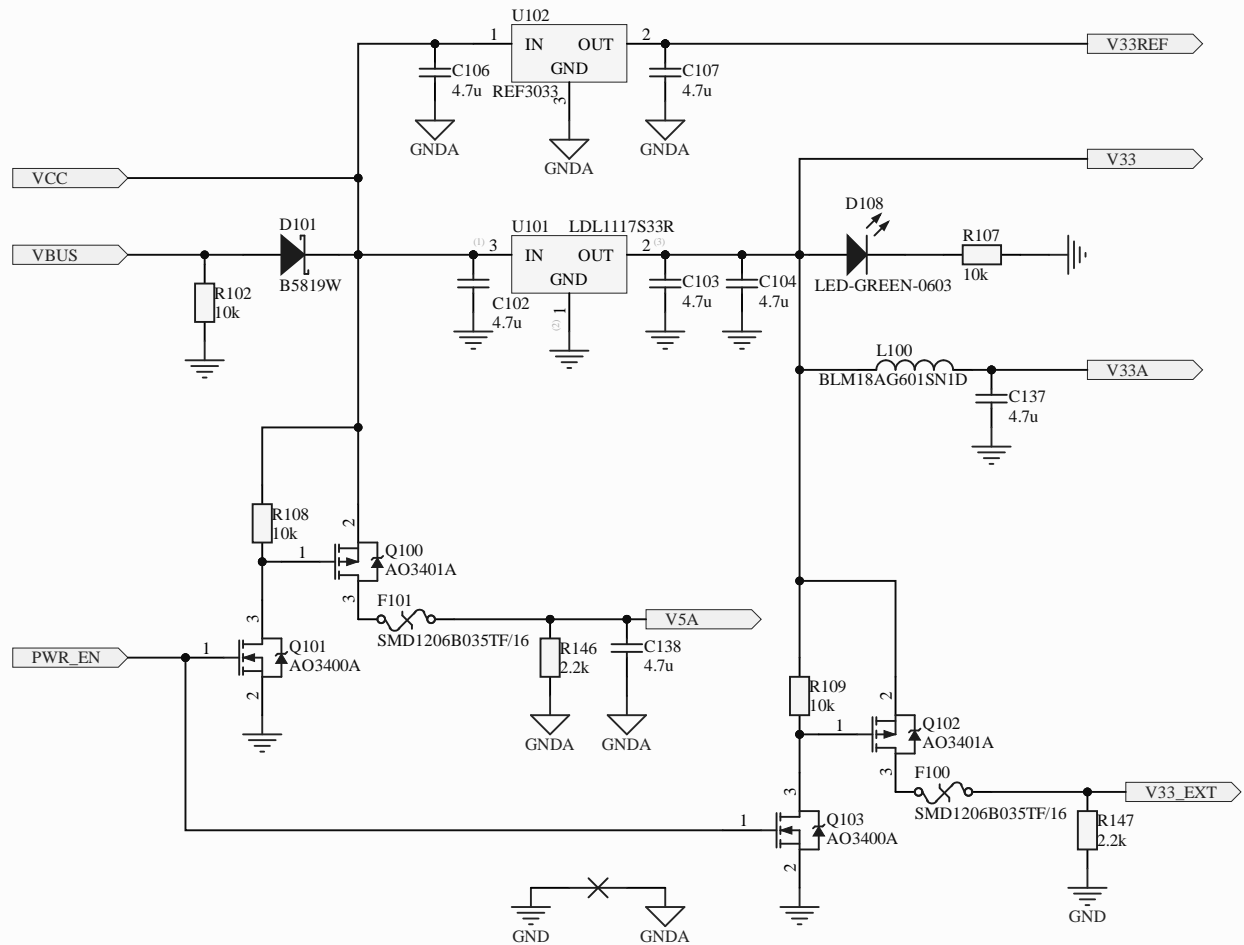






More accurate threshold for "raw" connection of VR sensors





Title		
Size	Number	Revision
A4		
Date:	10.28.2023	Sheet of
File:	C:\github\...\power.SchDoc	Drawn By:

