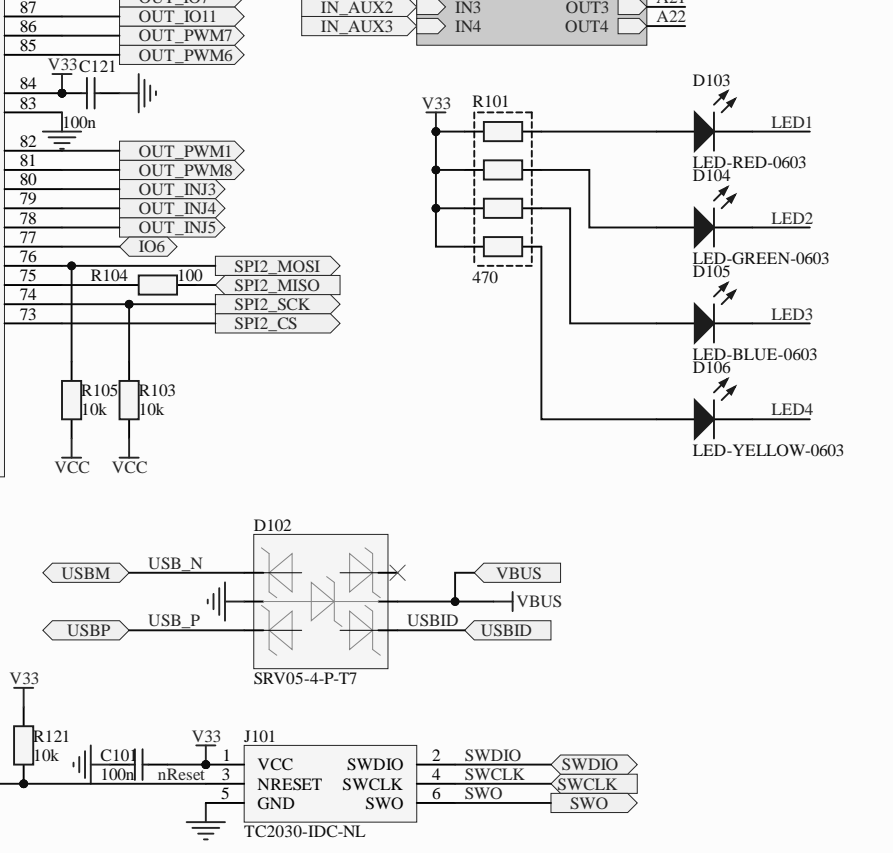
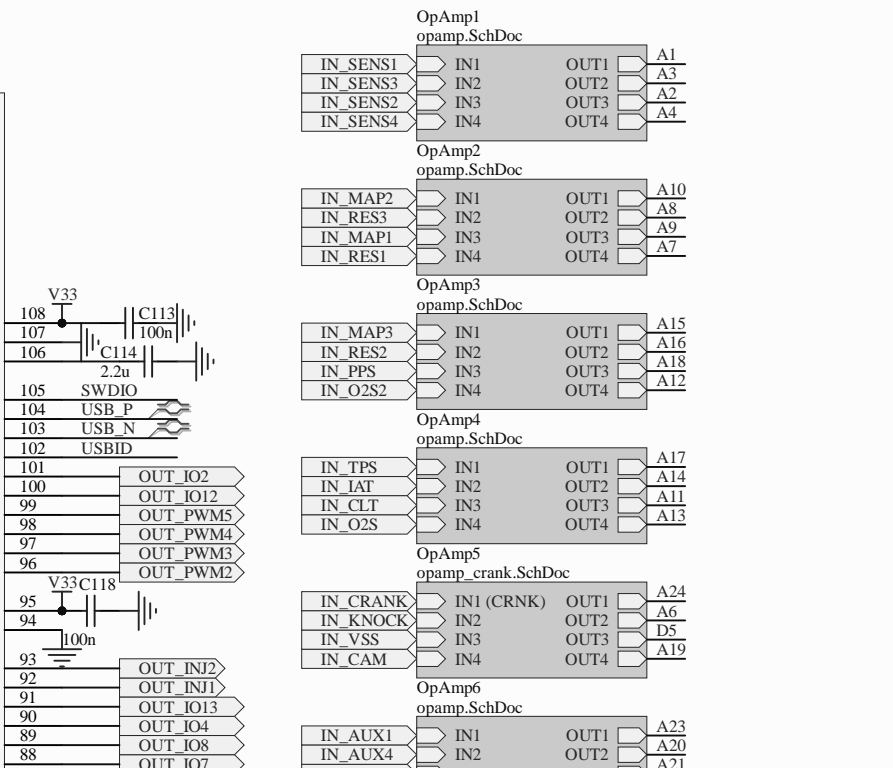
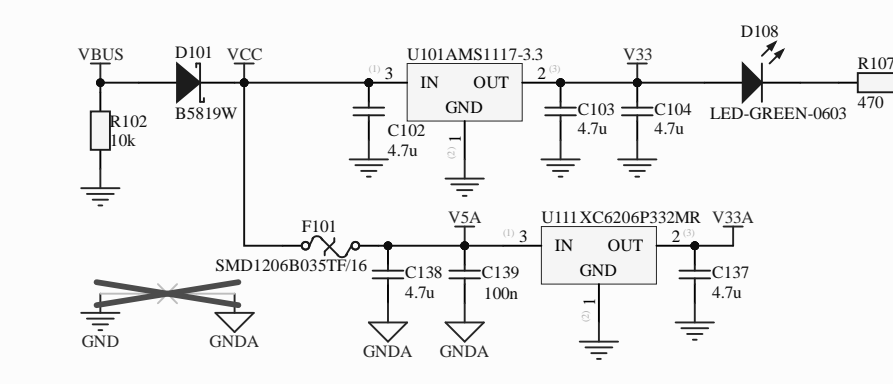
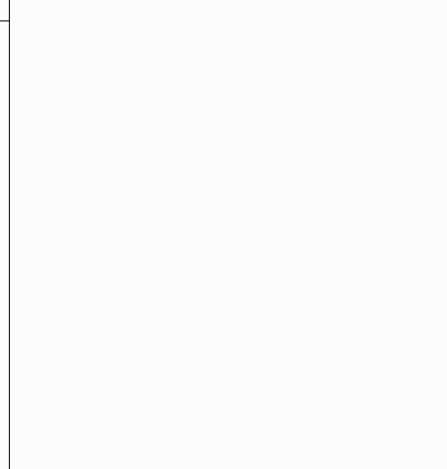
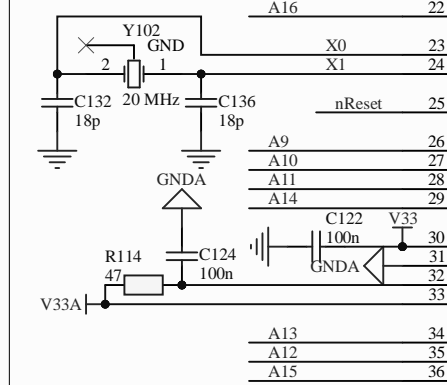
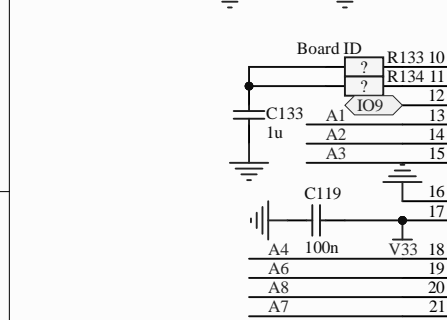
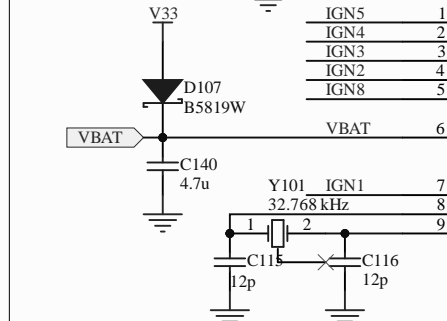
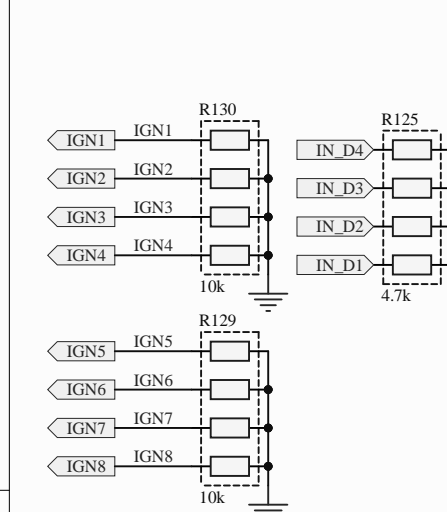
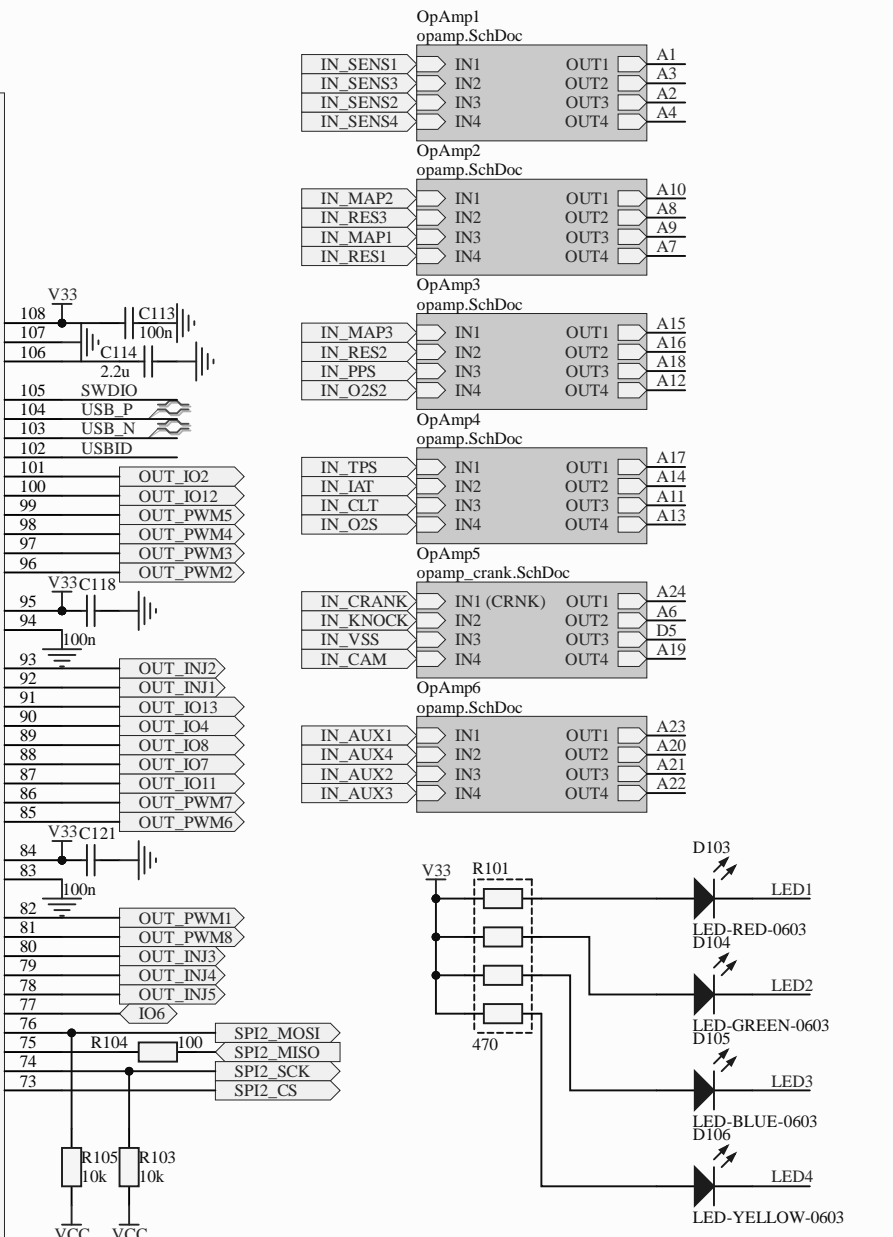
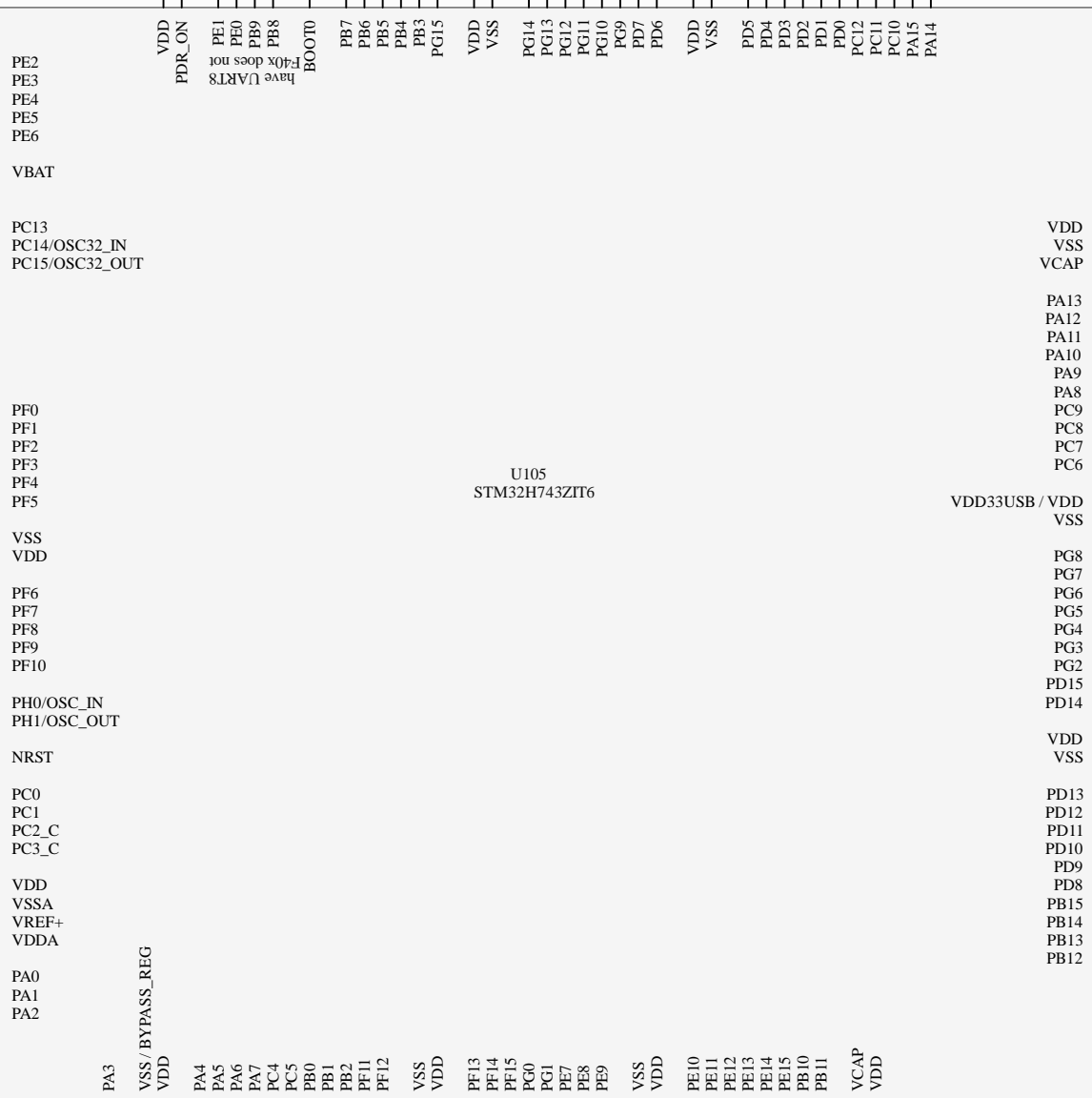
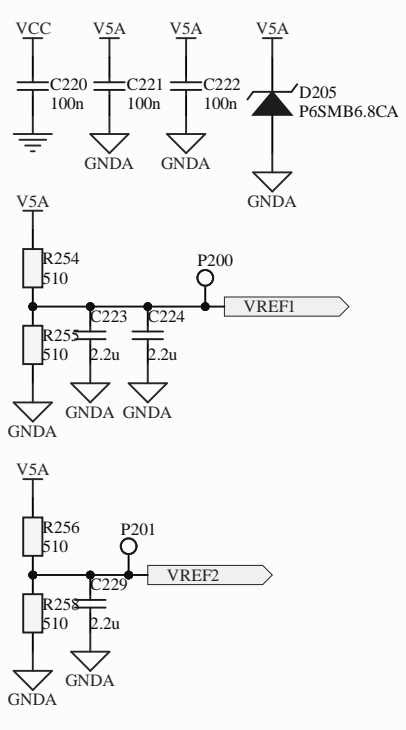
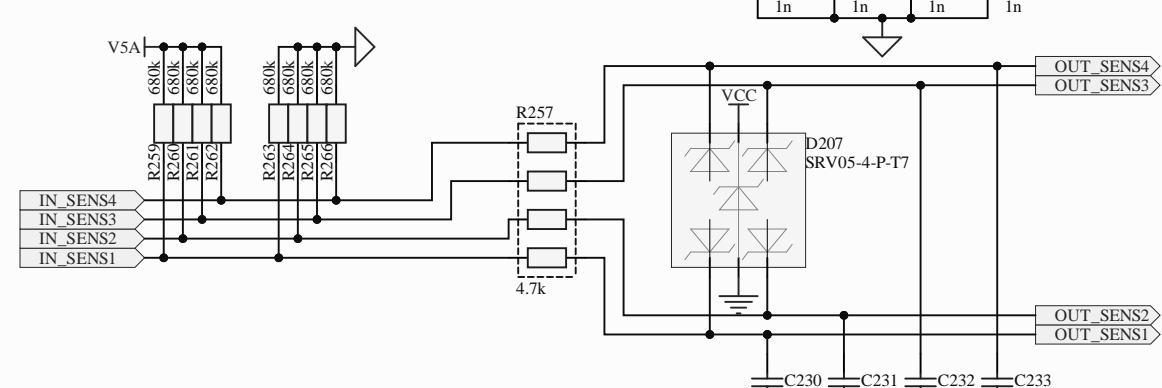
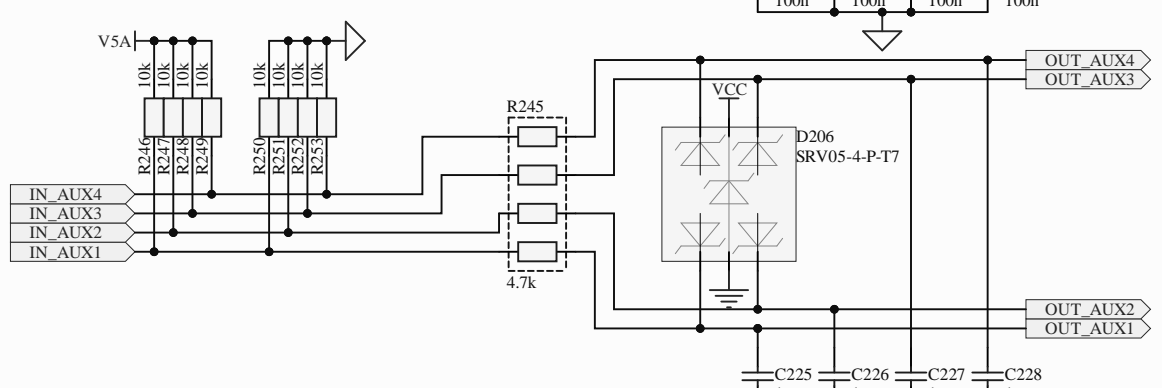
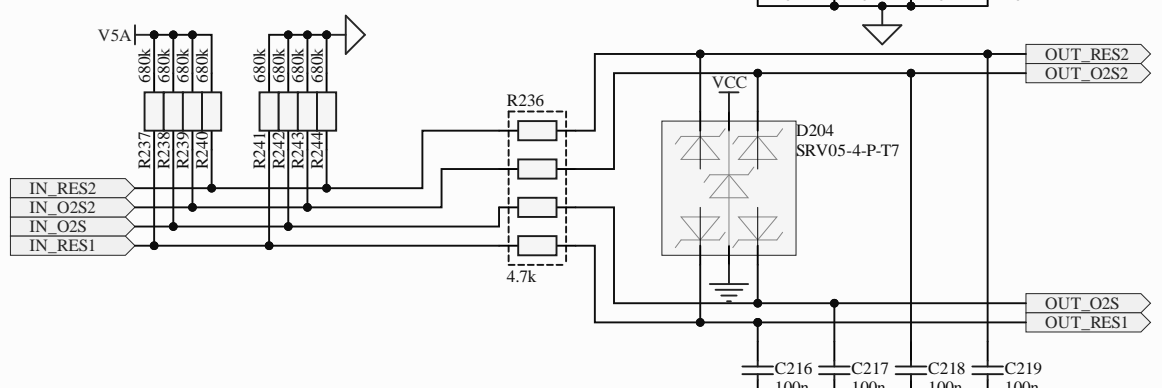
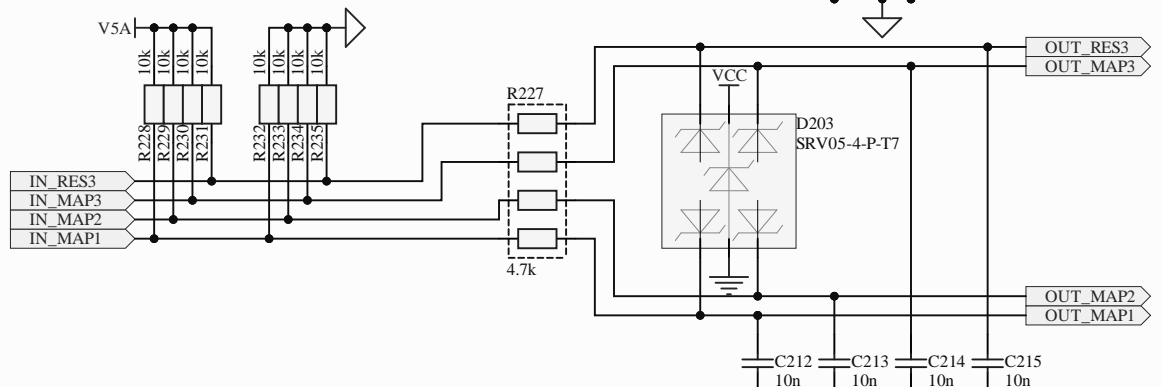
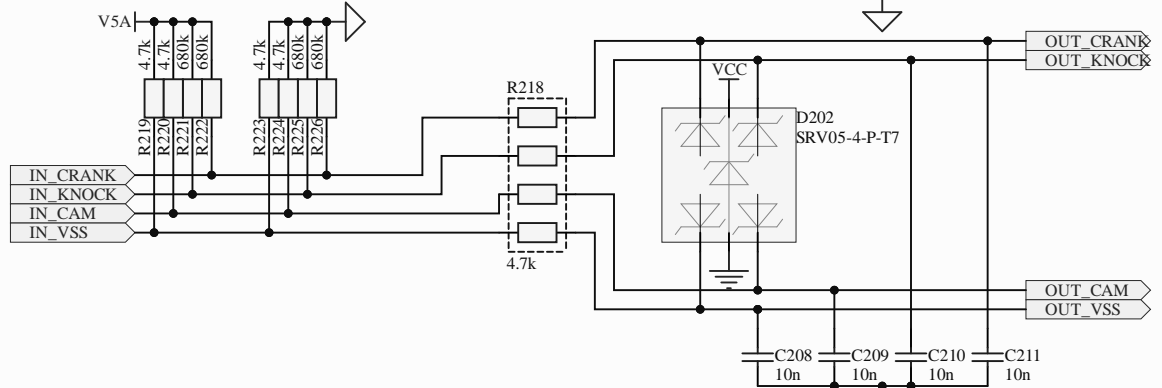
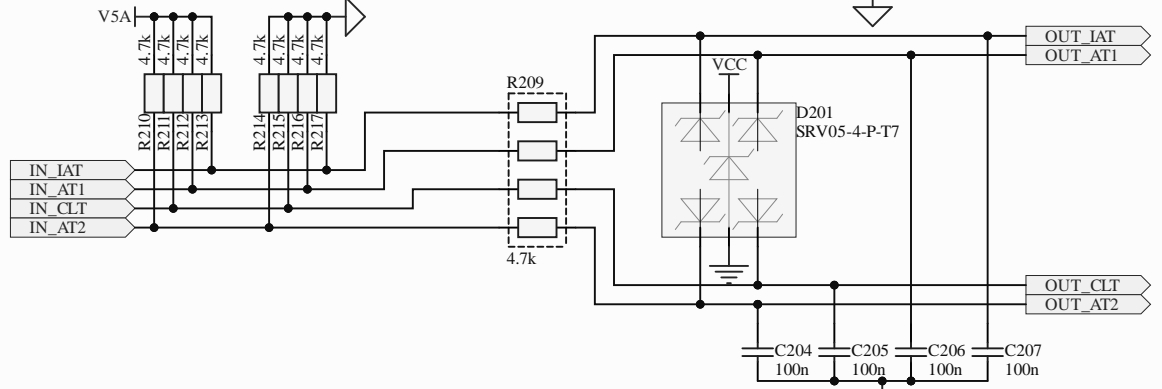
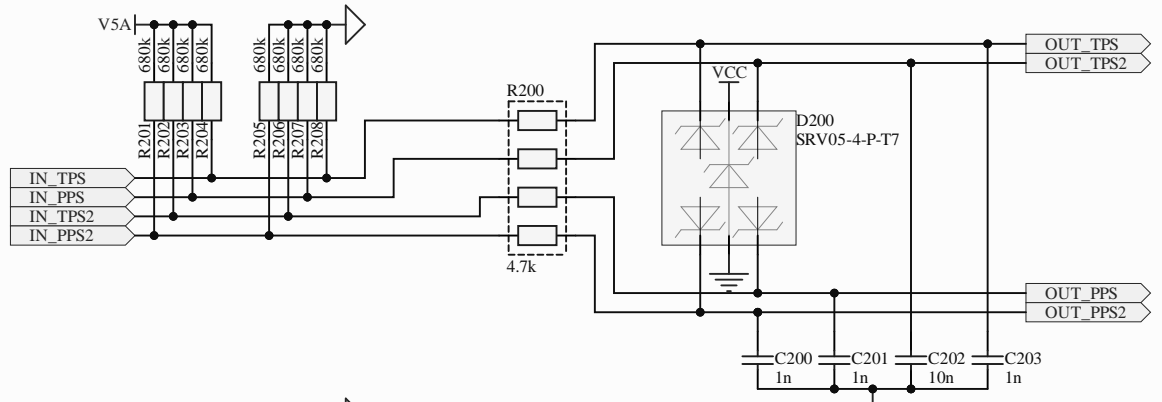


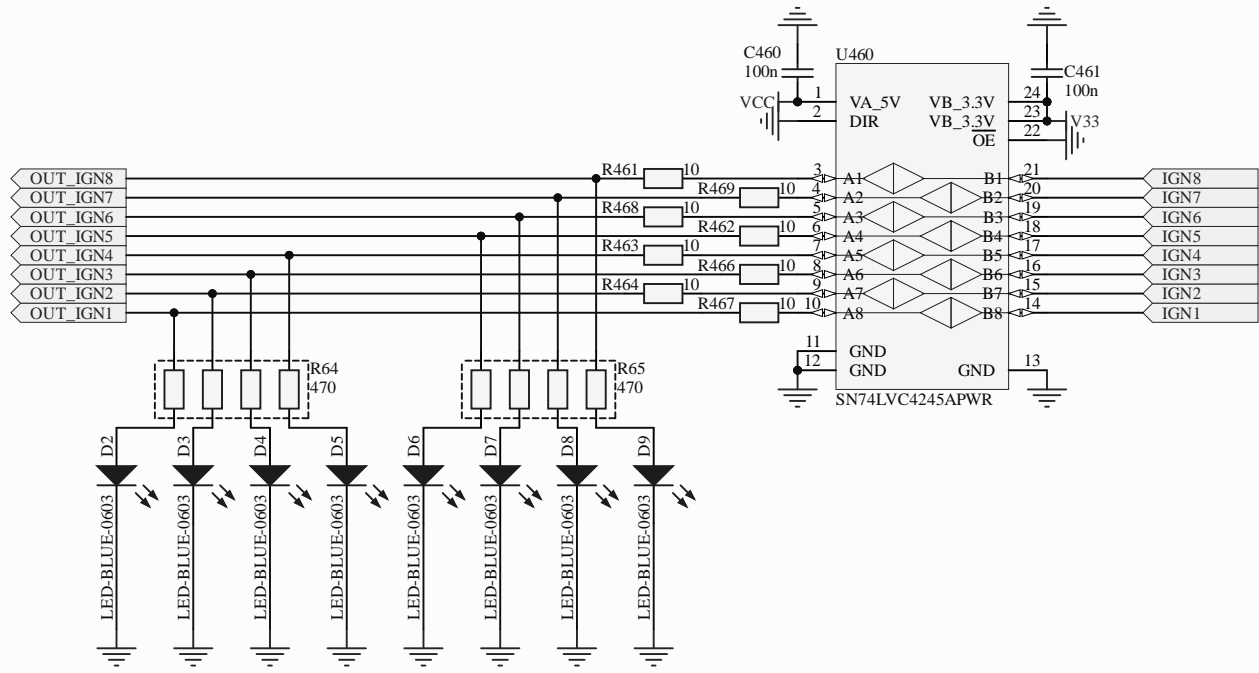
*A20-A23 are duplicated for ADC3
 *VIGN input is unprotected!
 *D5 is digital-only on F429! (EINT11)
 *A20-A22 are duplicated for COMP1/2

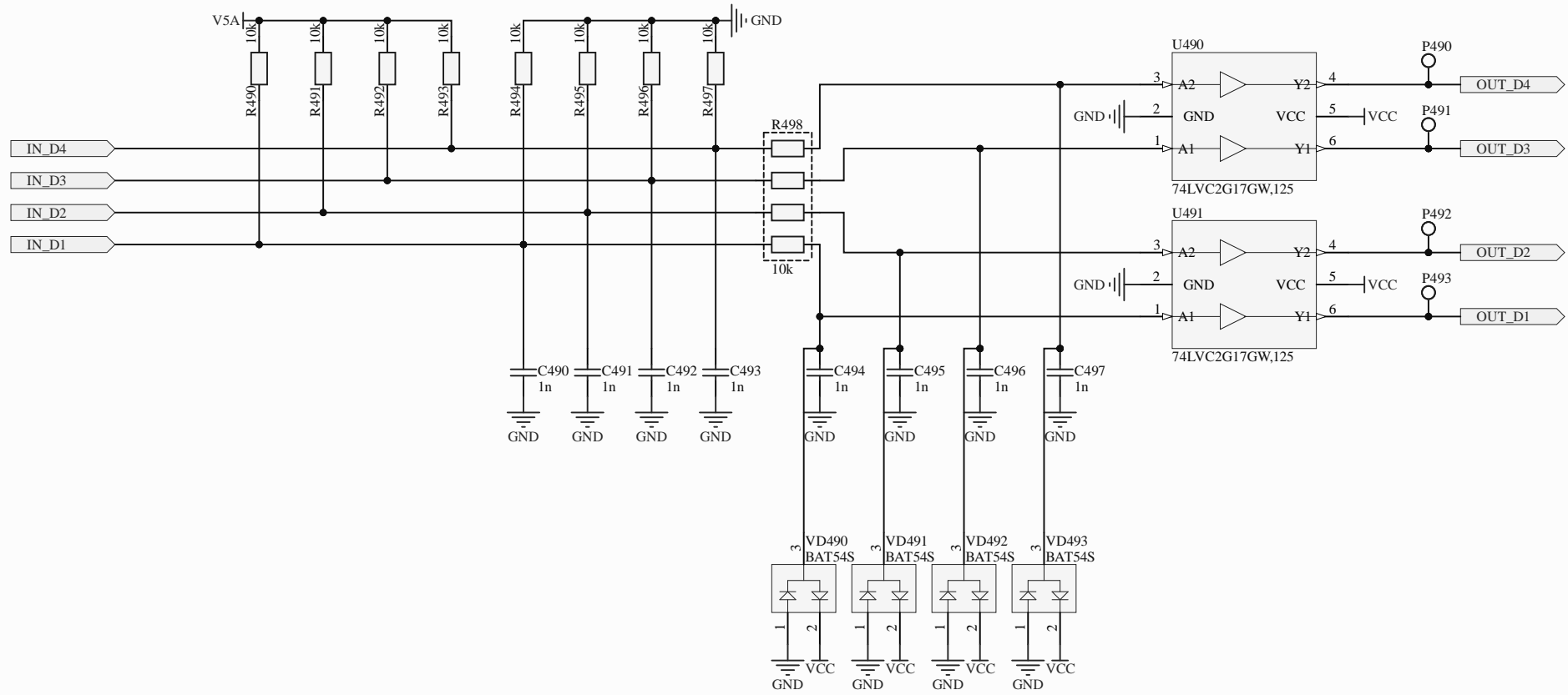


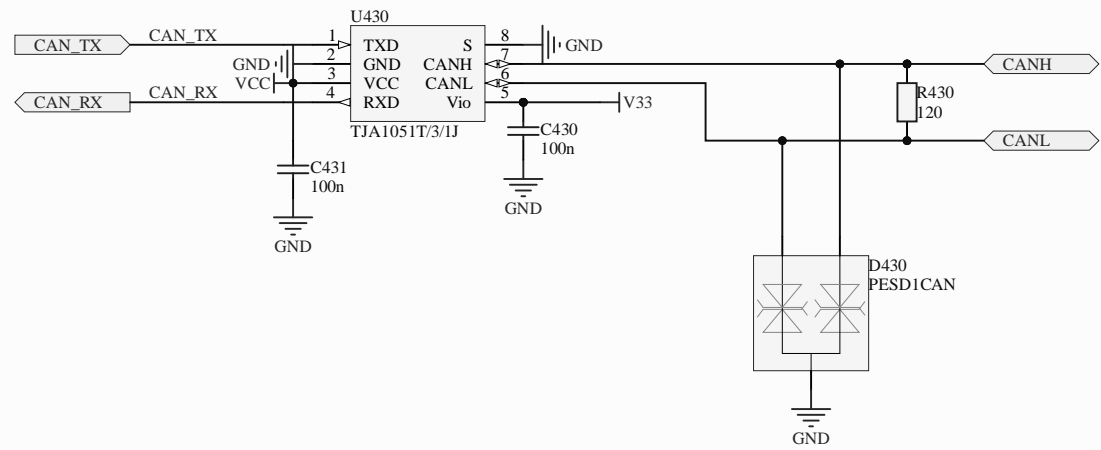
A
B
C
D
E
F
G
H

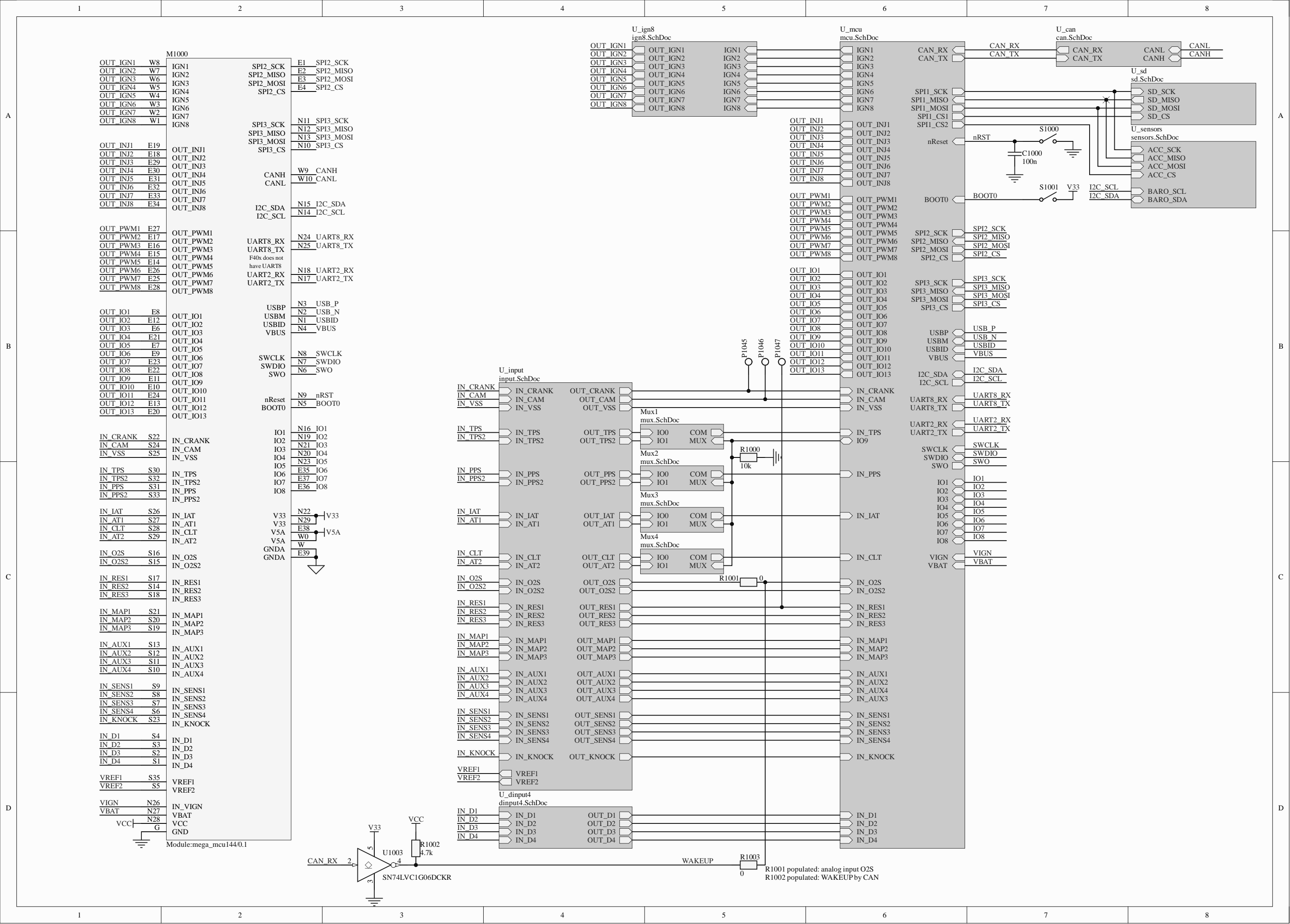
A
B
C
D
E
F
G
H











More accurate threshold for "raw" connection of VR sensors

