

R143 populated: analog input O2S
R145 populated: WAKEUP by CAN

A

A

B

B

C

C

D

D

E

E

F

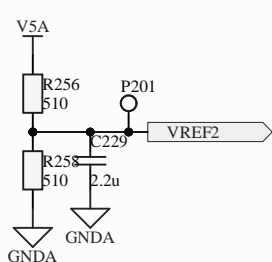
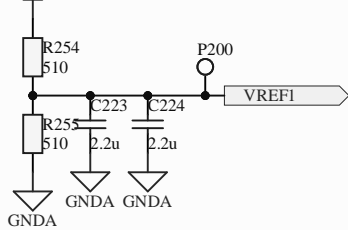
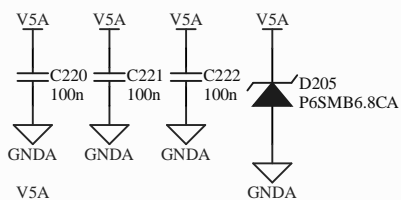
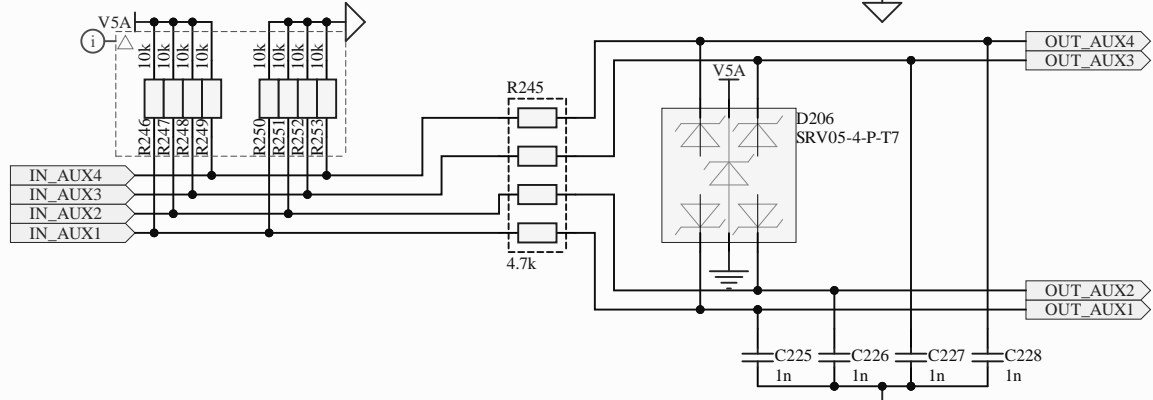
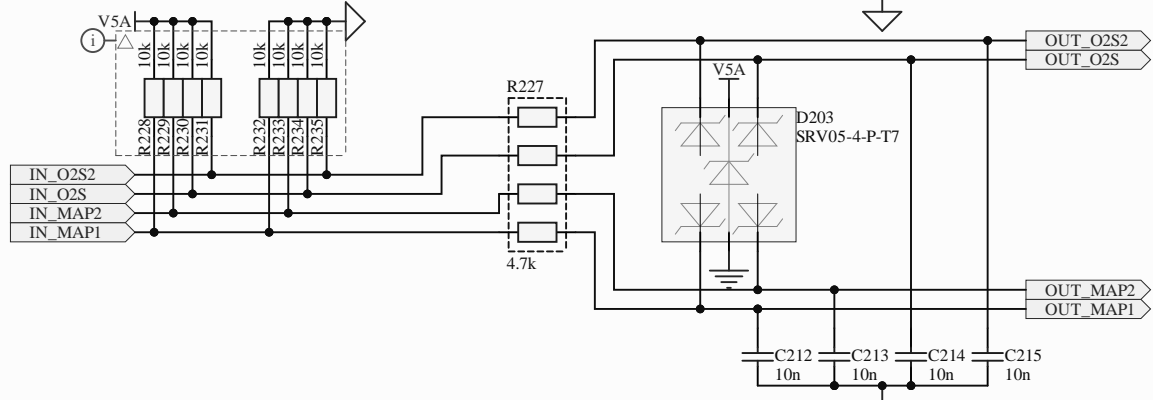
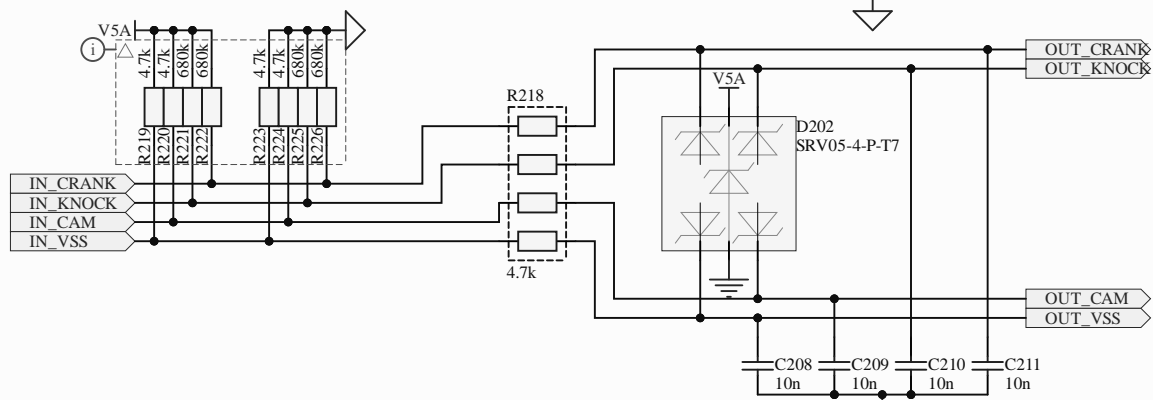
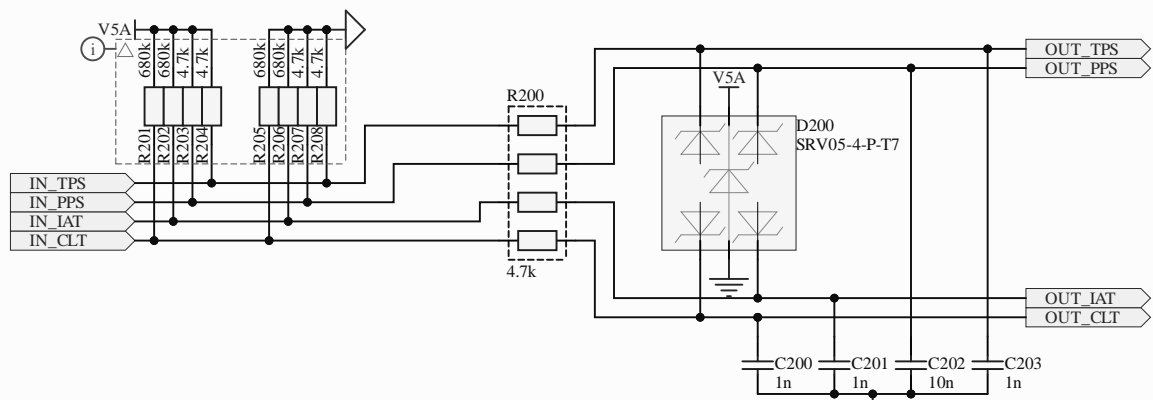
F

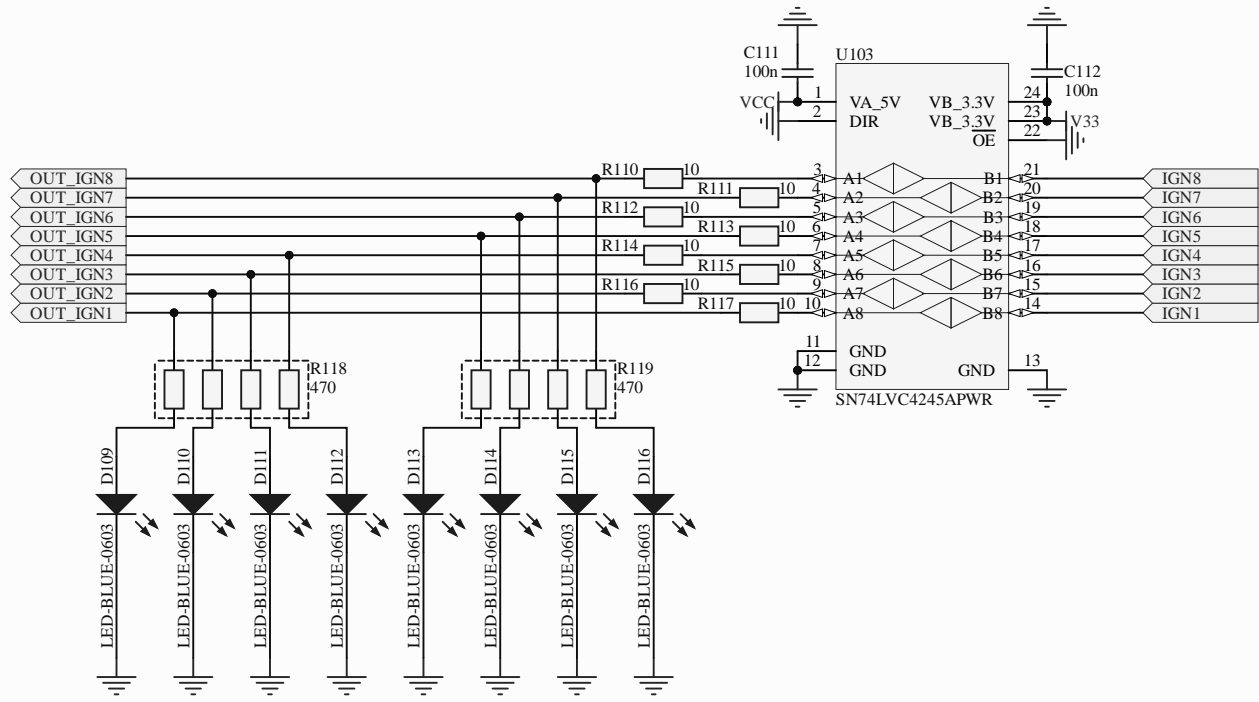
G

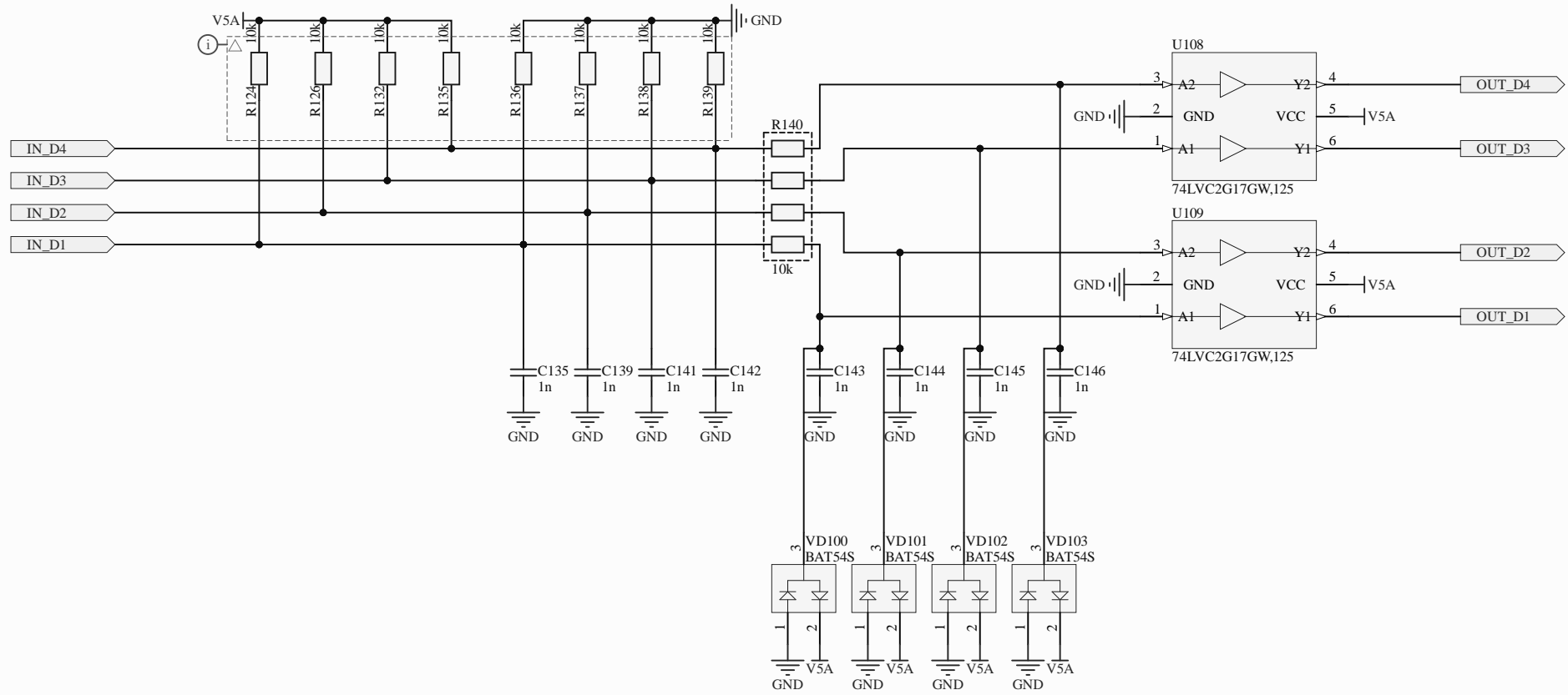
G

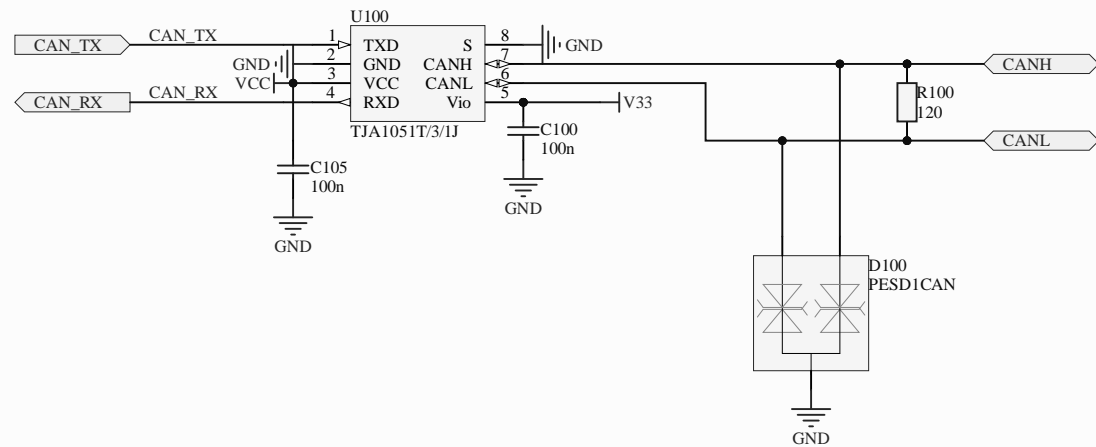
H

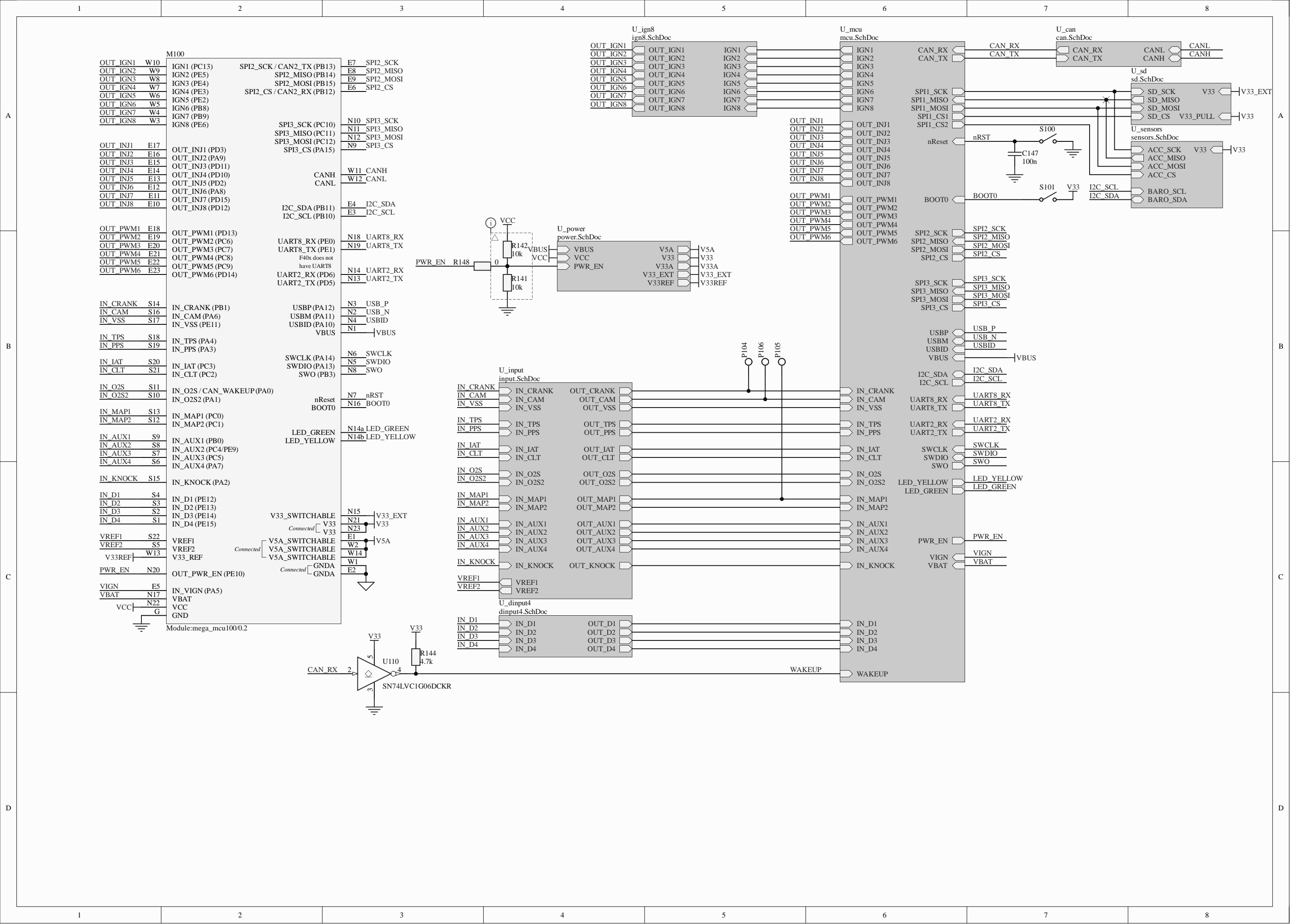
H



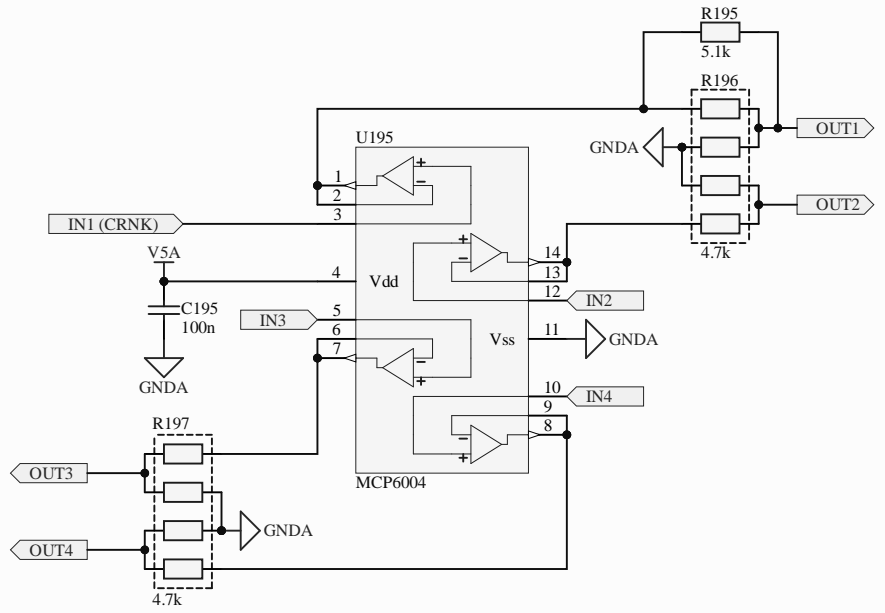


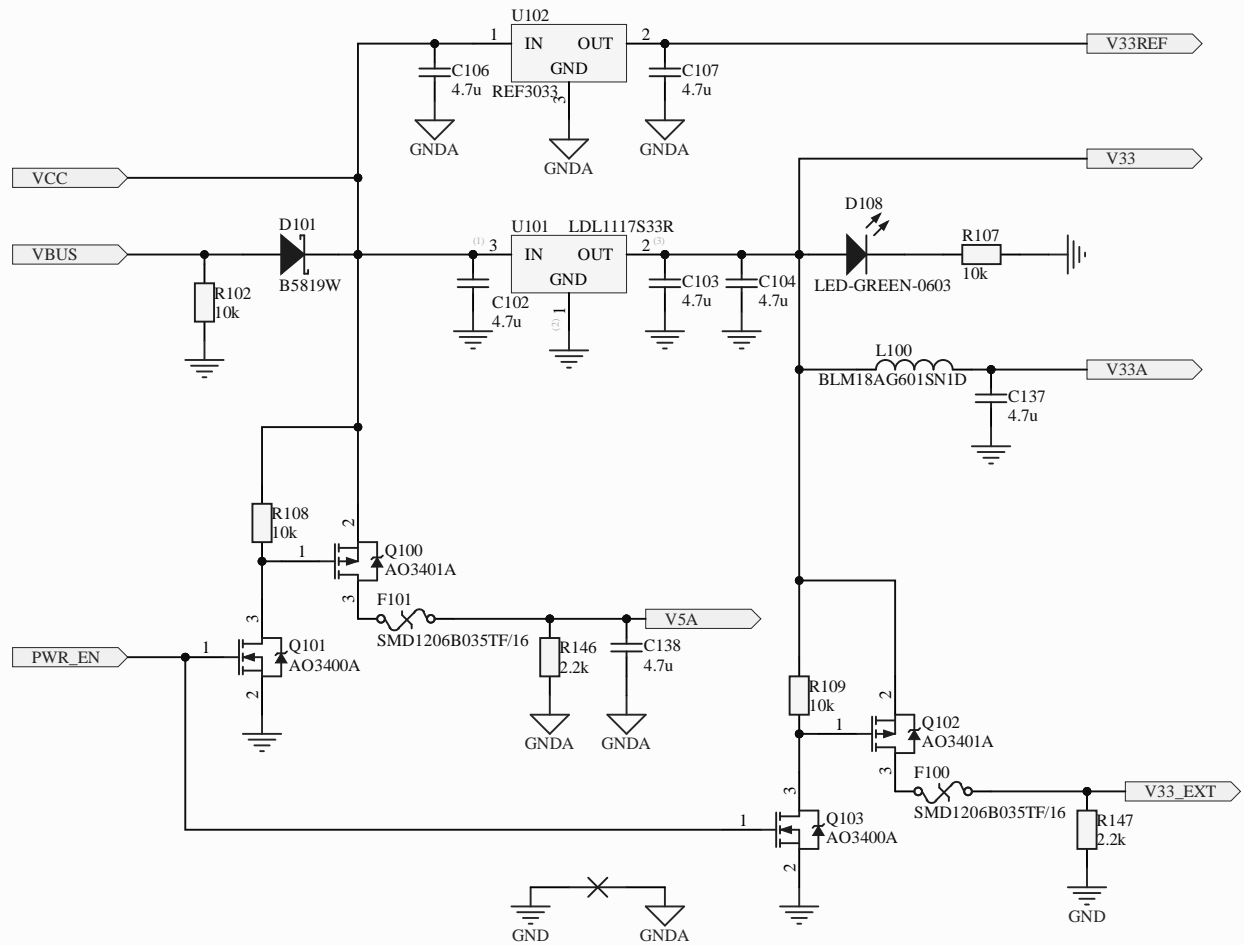






More accurate threshold for "raw" connection of VR sensors





Title		
Size	Number	Revision
A4		
Date:	1.03.2024	Sheet of
File:	C:\Work\...\power.SchDoc	Drawn By:

