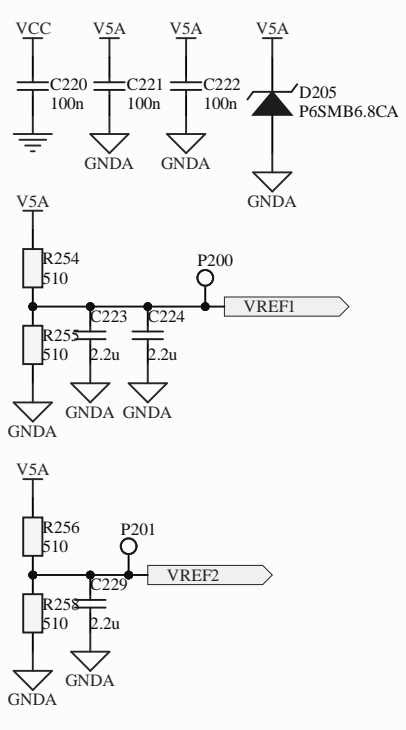
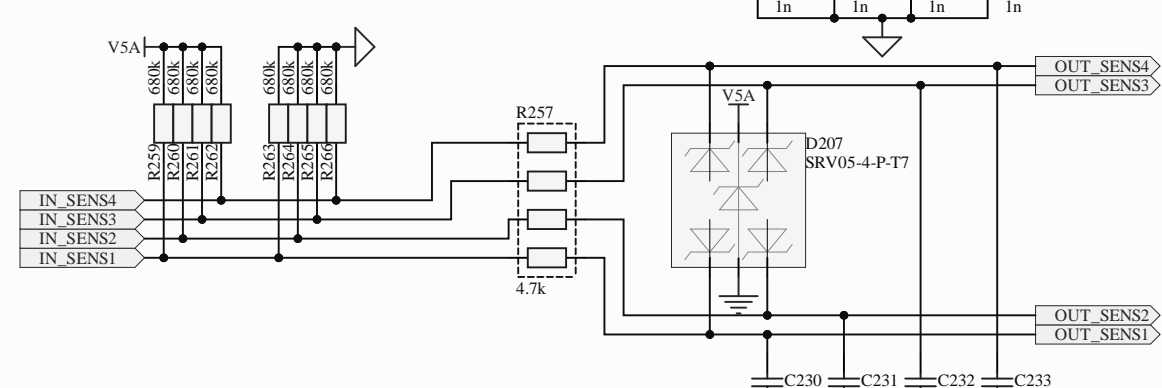
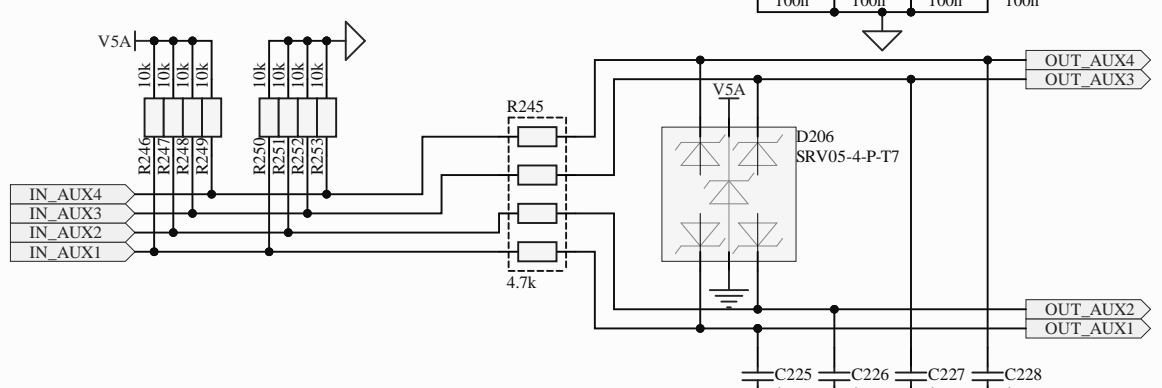
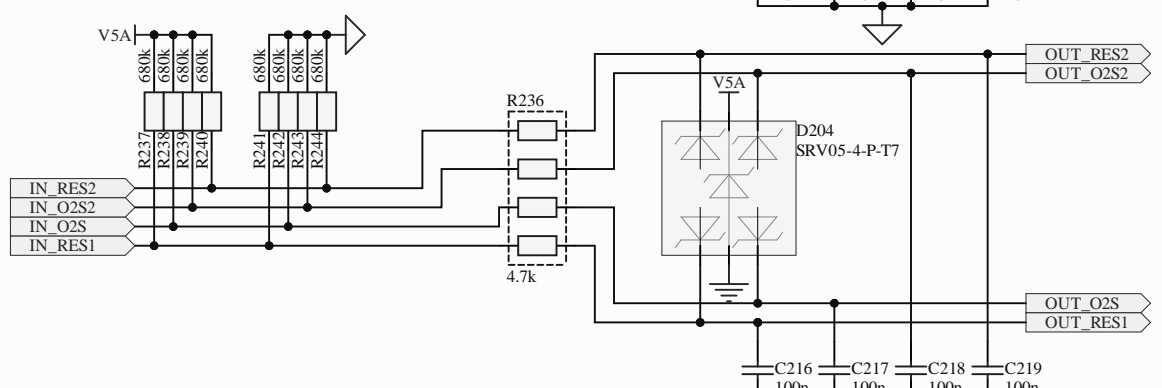
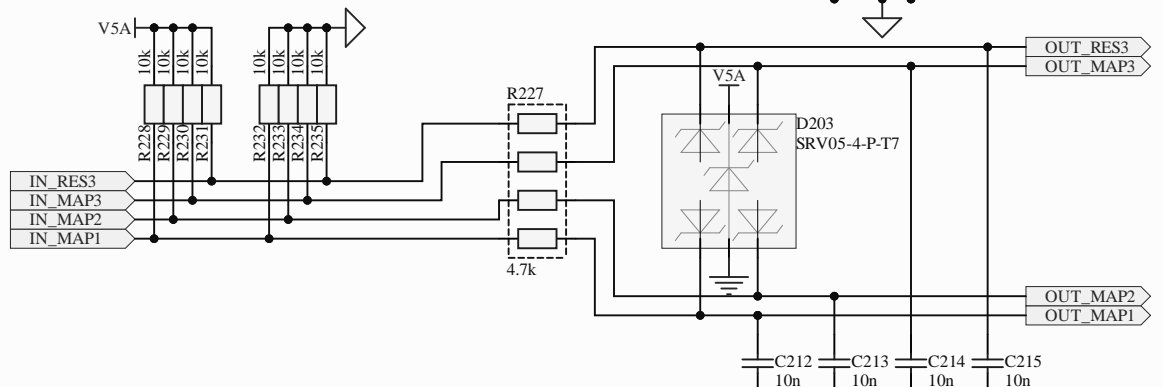
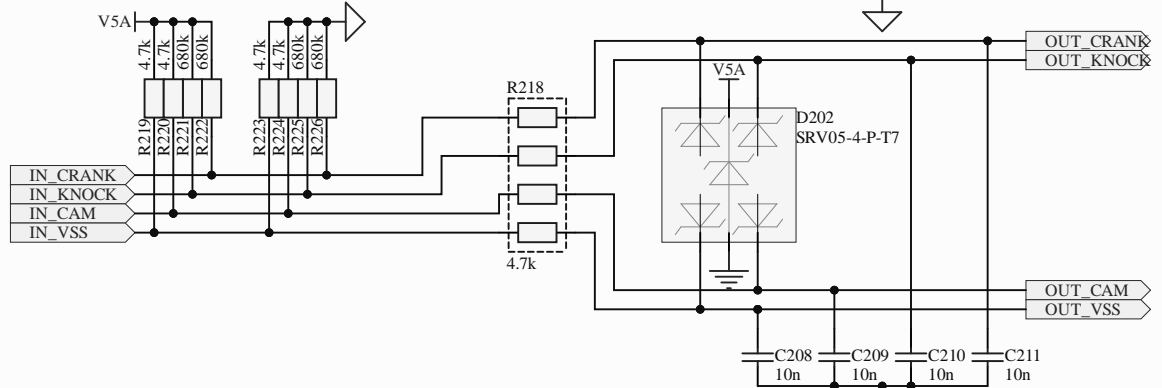
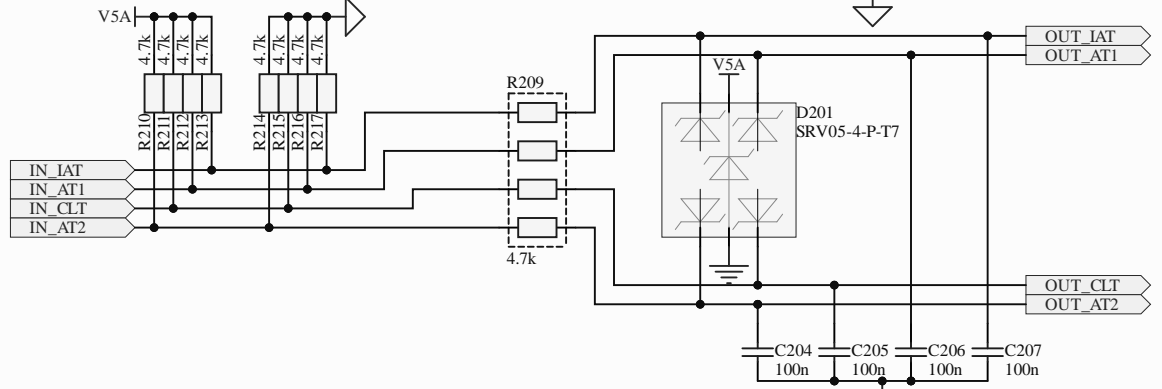
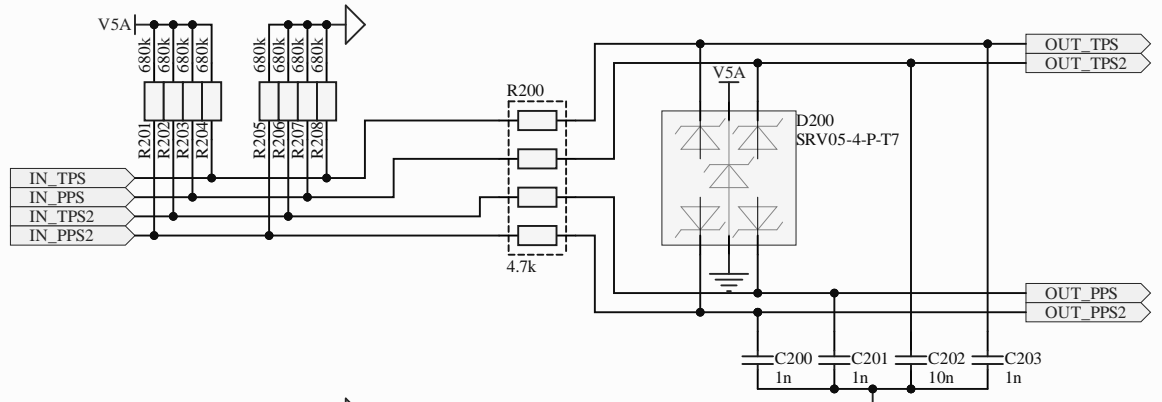
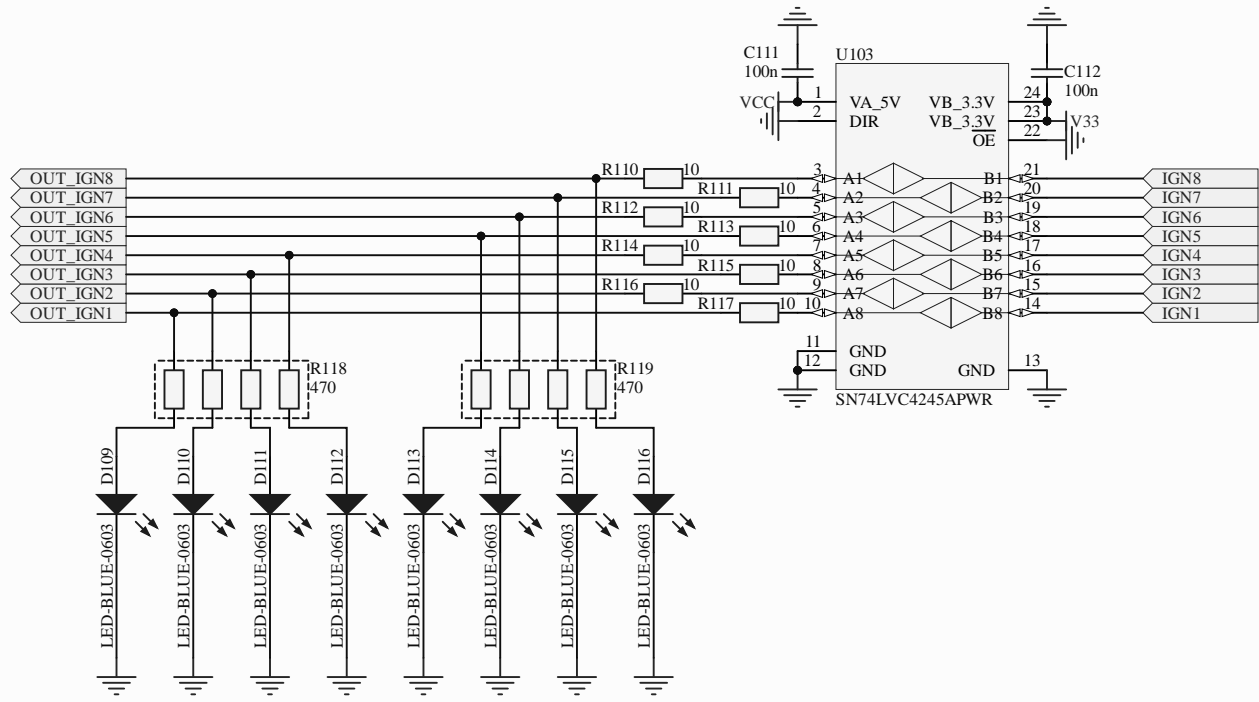


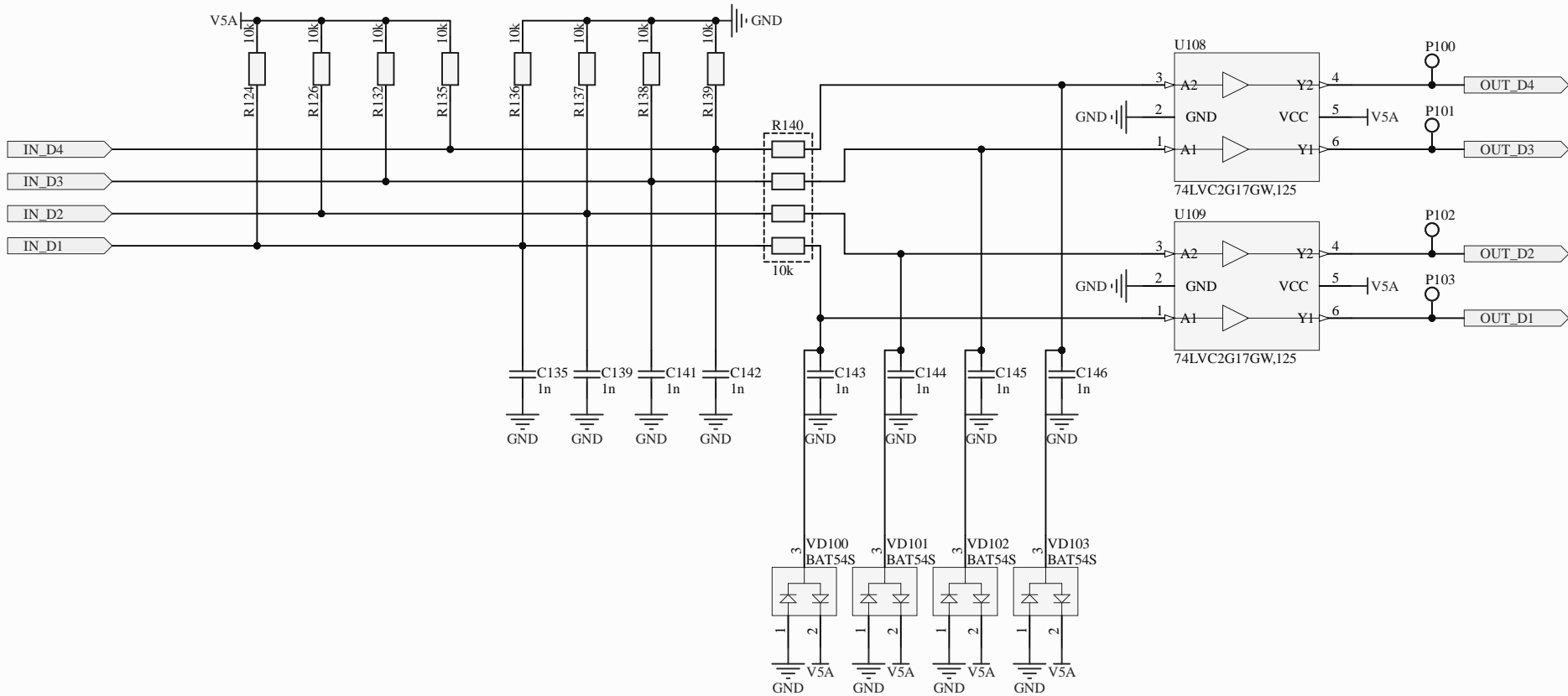
*A20-A23 are duplicated for ADC3
 *VIGN input is unprotected!
 *D5 is digital-only on F429! (EINT11)
 *A20-A22 are duplicated for COMP1/2

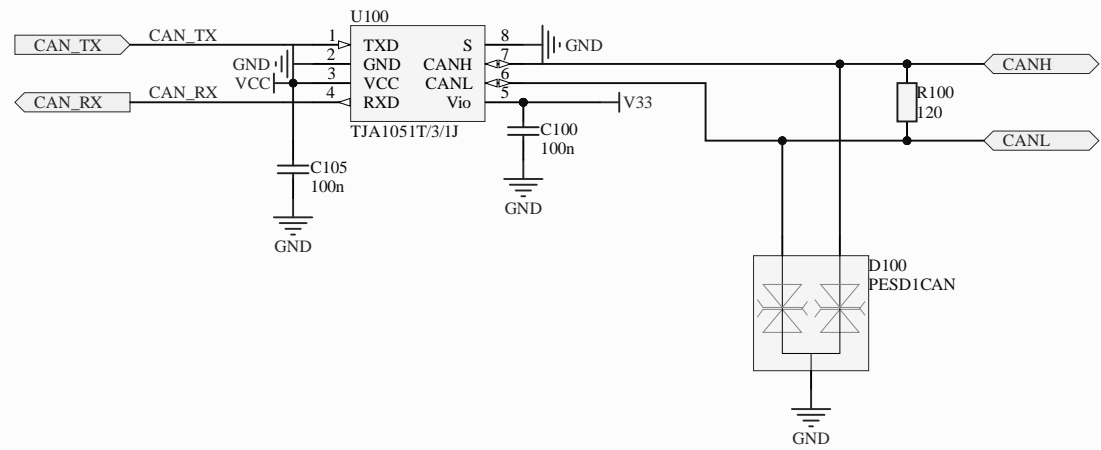
A
B
C
D
E
F
G
H

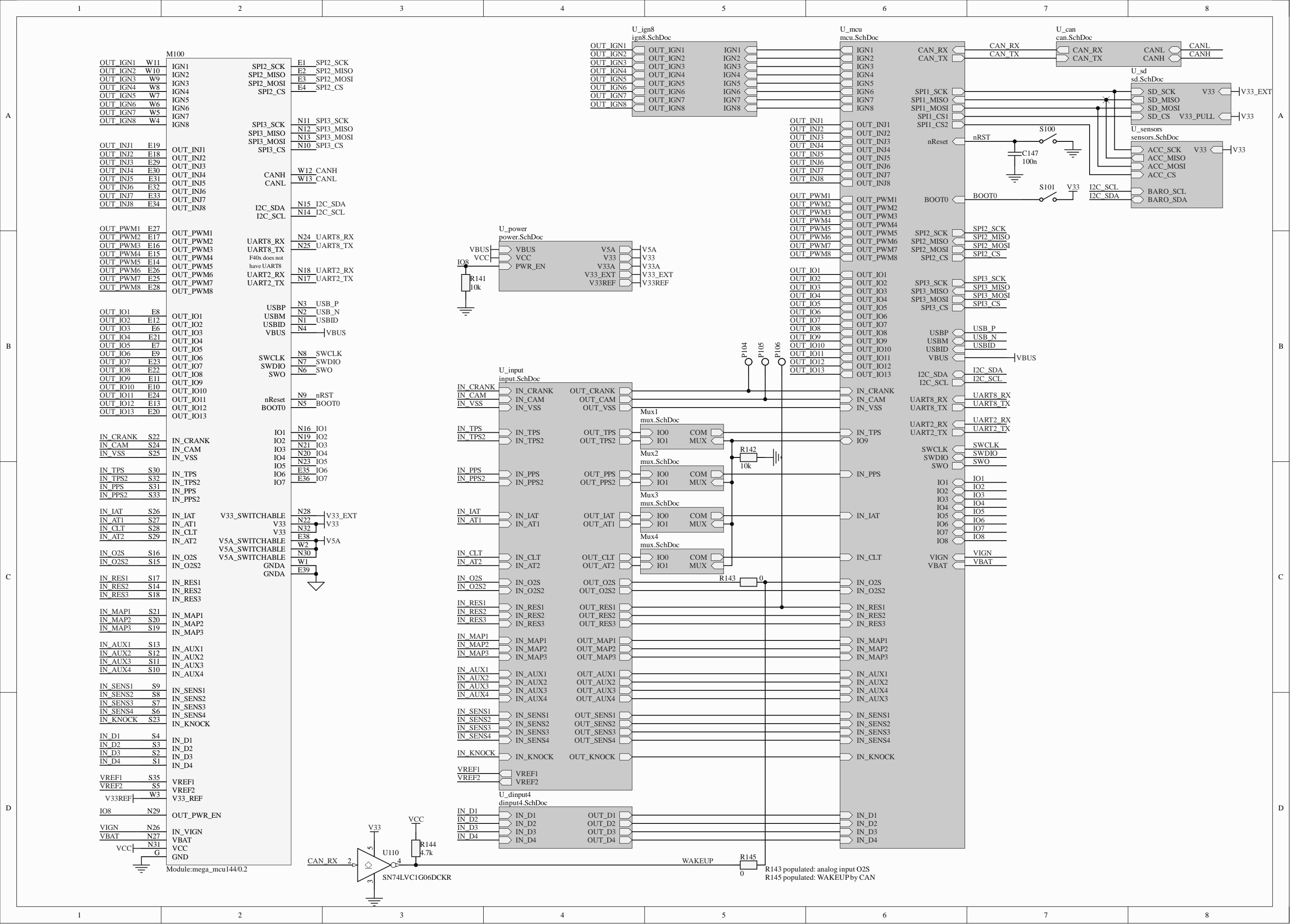
A
B
C
D
E
F
G
H



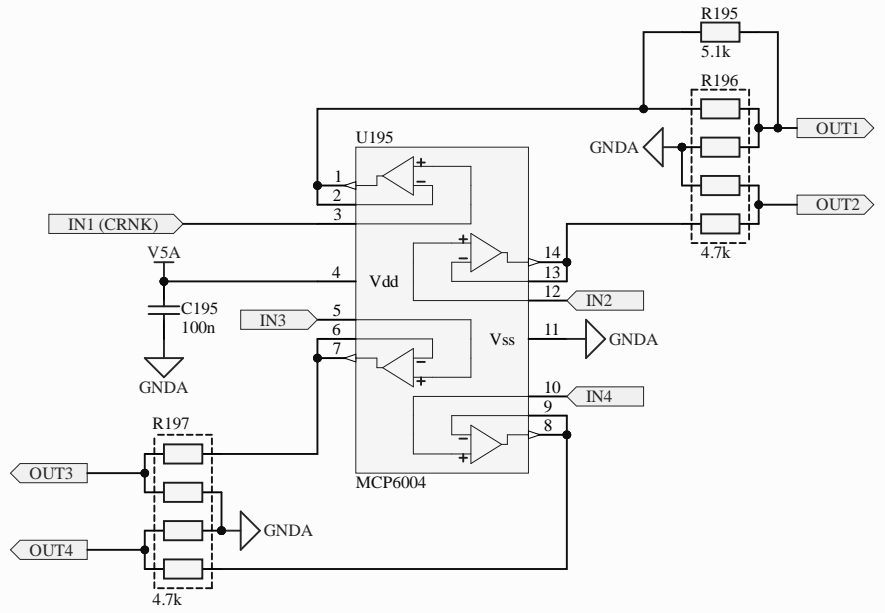


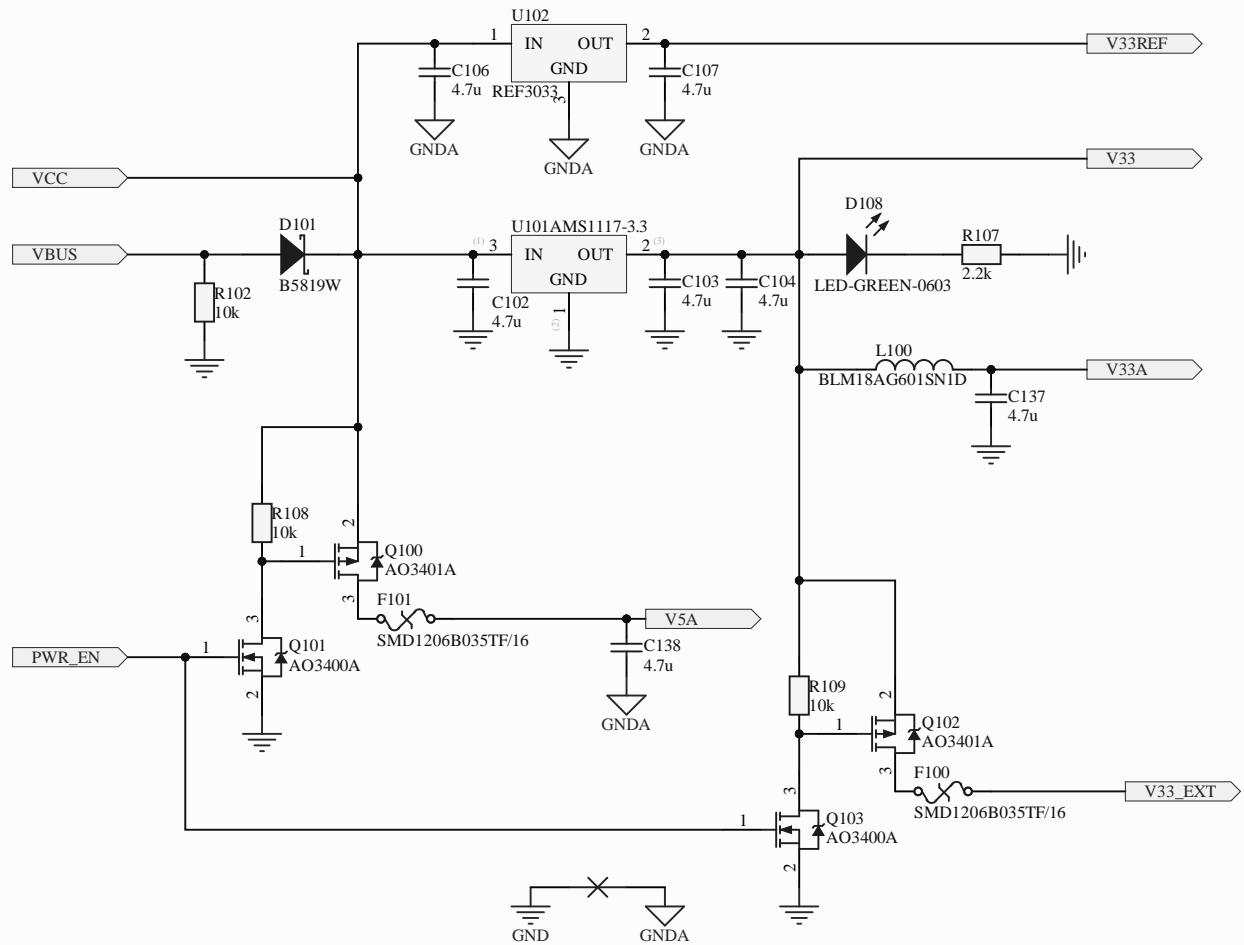






More accurate threshold for "raw" connection of VR sensors





Title		
Size	Number	Revision
A4		
Date:	3.11.2023	Sheet of
File:	C:\Work\...\power.SchDoc	Drawn By:

