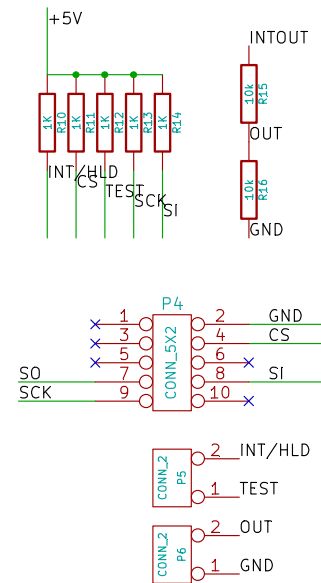
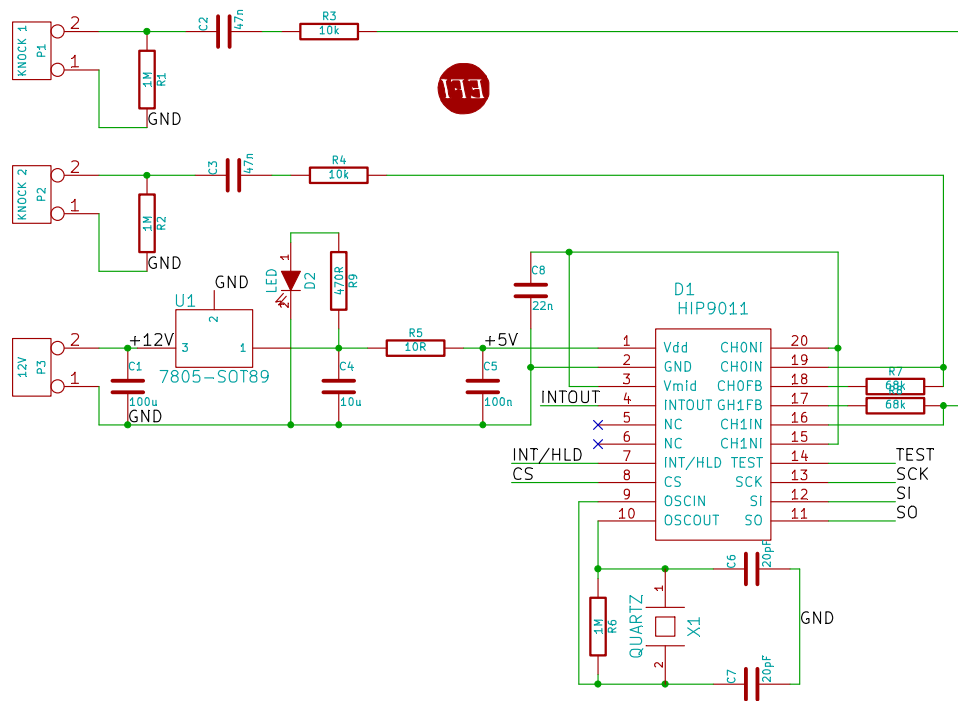


DD HIP9011 ver.2
RusEfi.com



File: DD HIP9011.sch		
Sheet: /		
Title: noname.sch		
Size: A4	Date: 16 dec 2013	Rev:
KiCad E.D.A. eschema (2013-07-07 BZR 4022)-stable		Id: 1/1