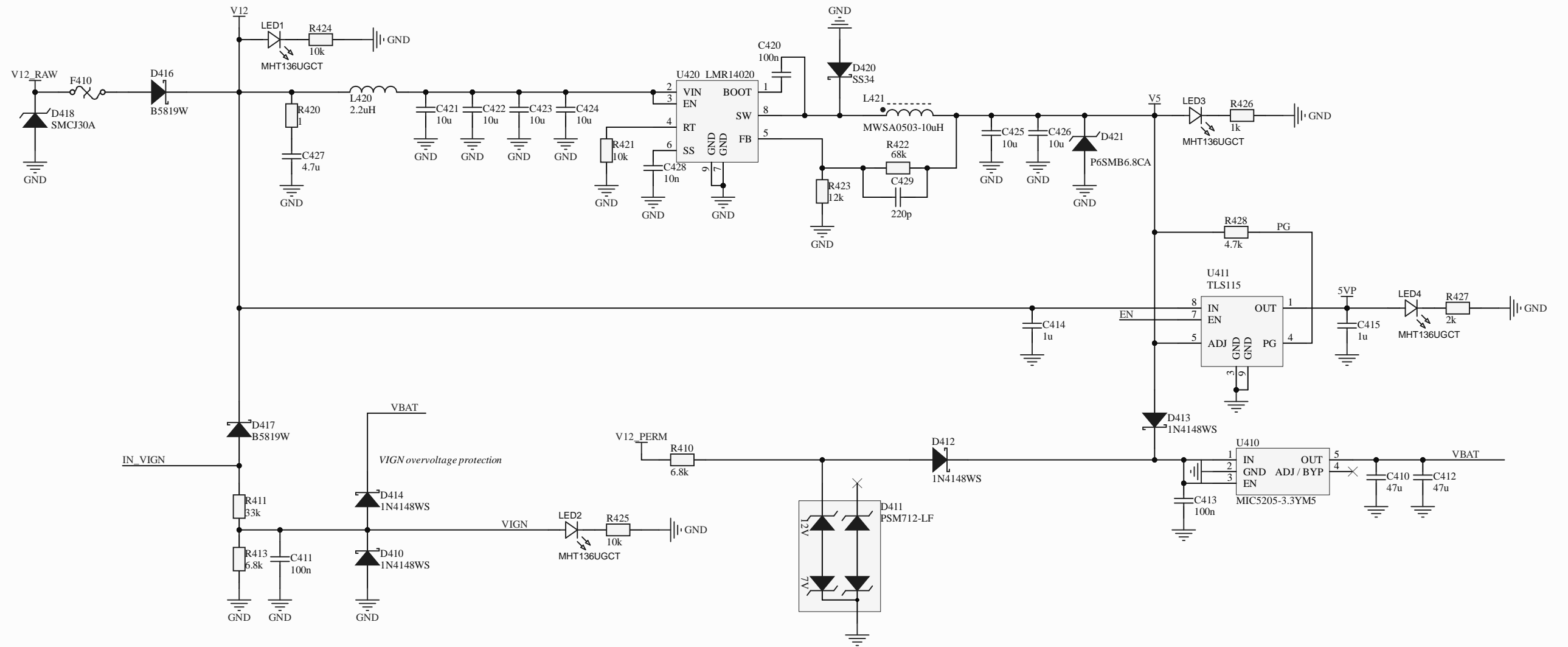
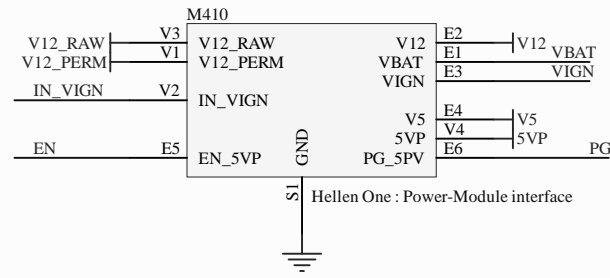
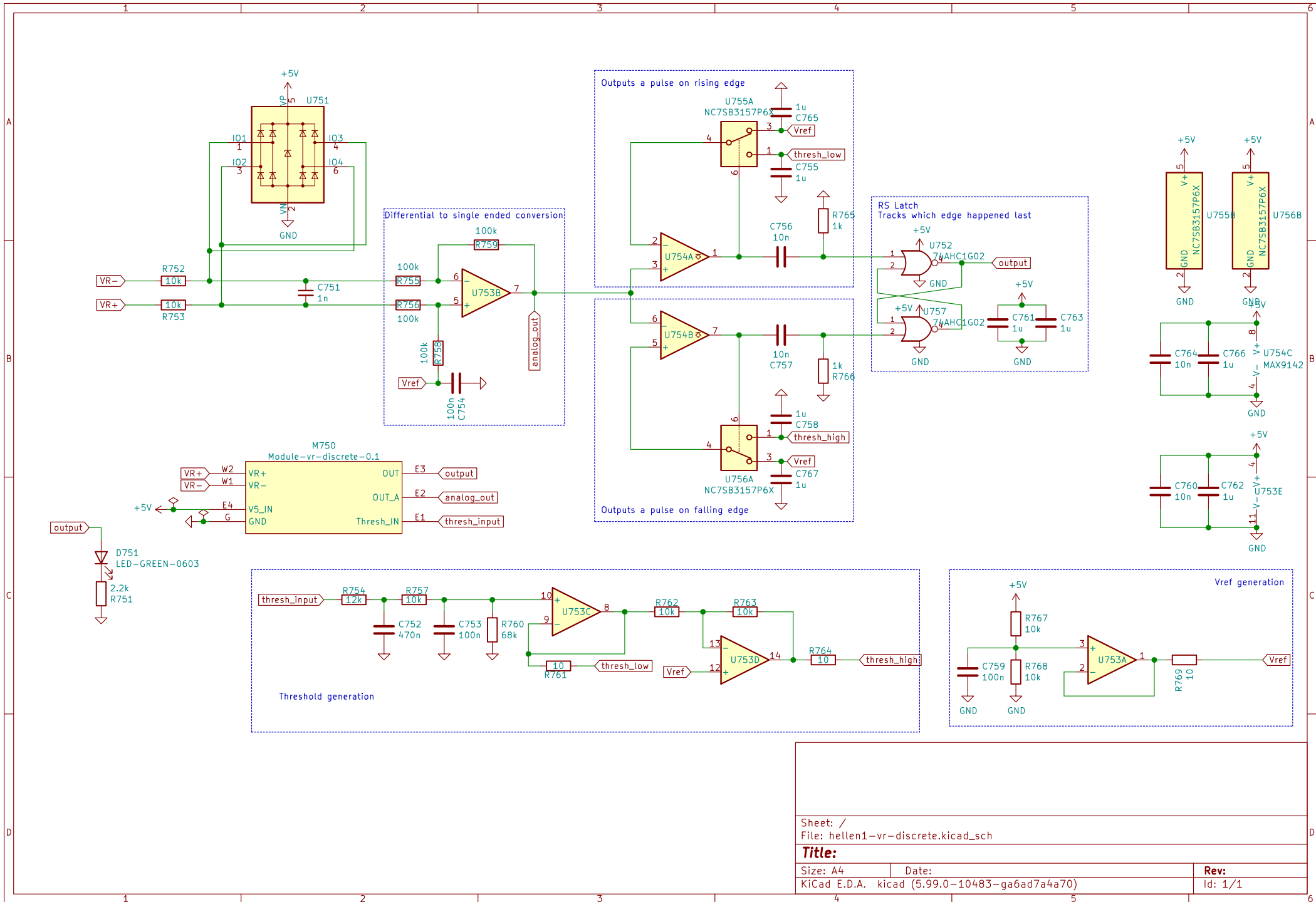


Board Info

FOR OFF ROAD PURPOSES ONLY
This is not for applications with emissions or safety regulations (AKA not for street use). This is for closed stages, track and equipment.

<http://www.alphaxpr.com/>

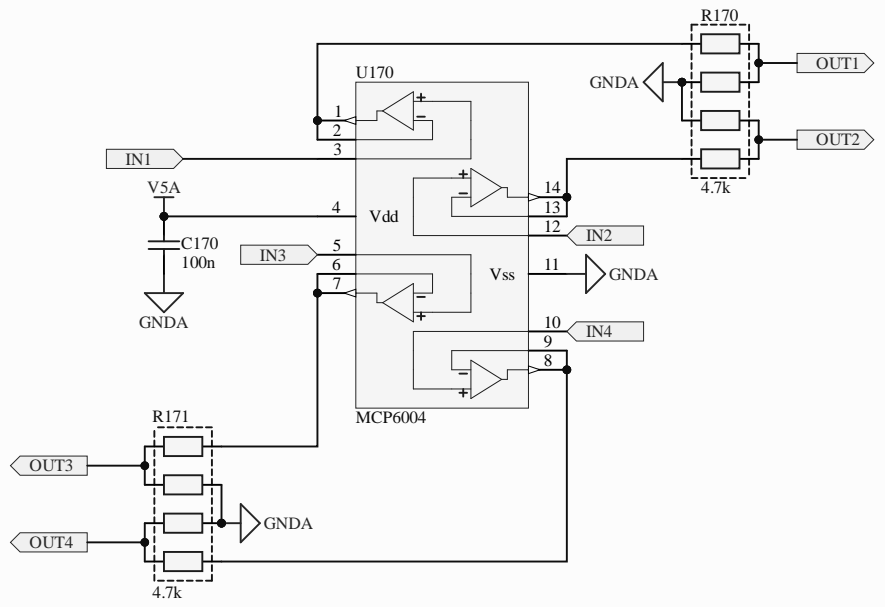


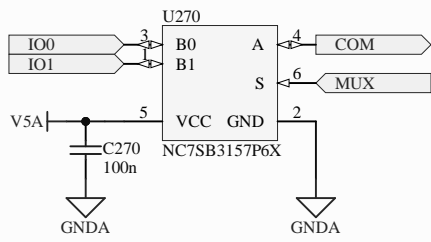


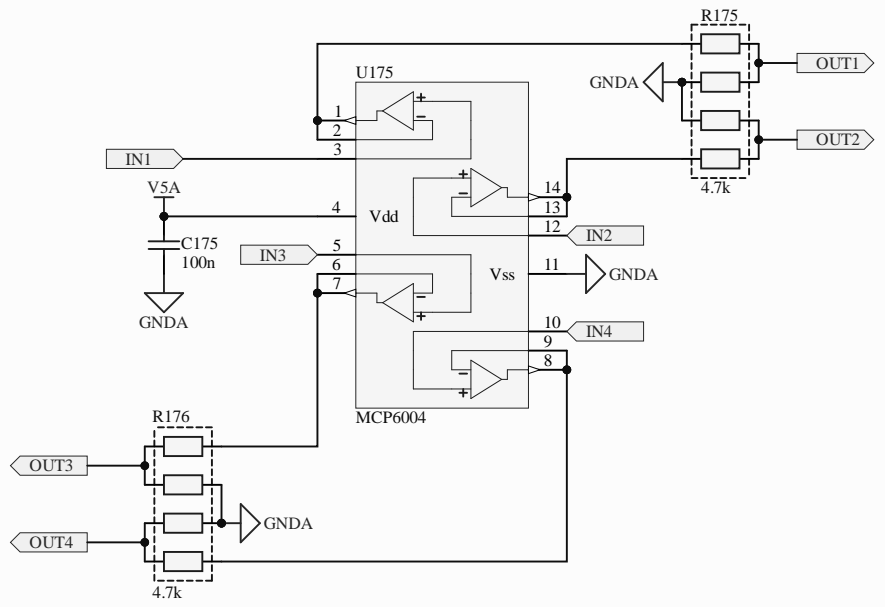
Sheet: /
 File: hellen1-vr-discrete.kicad_sch

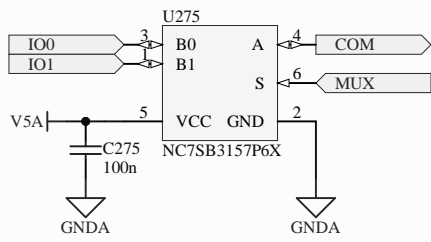
Title:
 Size: A4 Date:
 KiCad E.D.A. kicad (5.99.0-10483-ga6ad7a4a70)

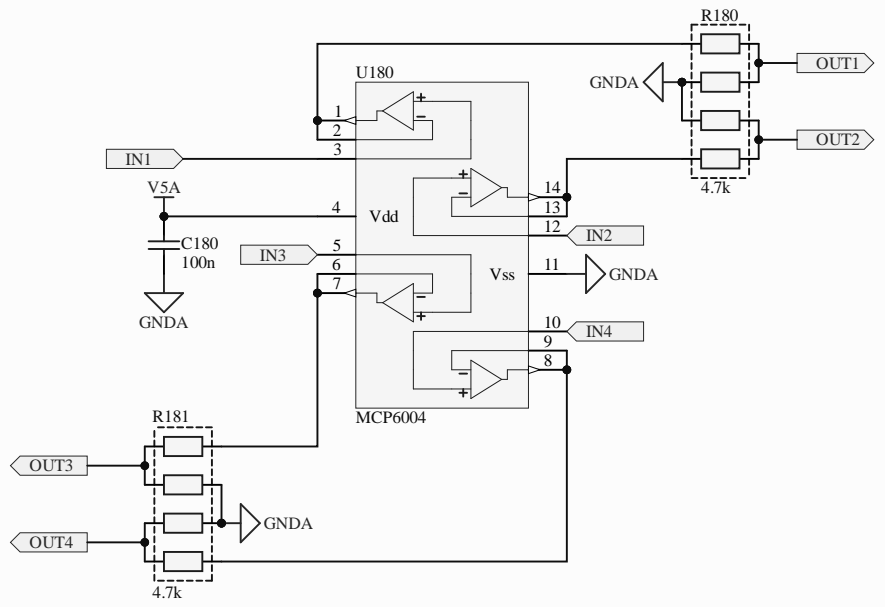
Rev:
 Id: 1/1

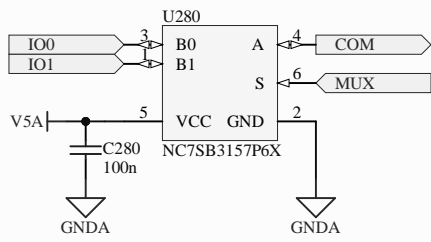


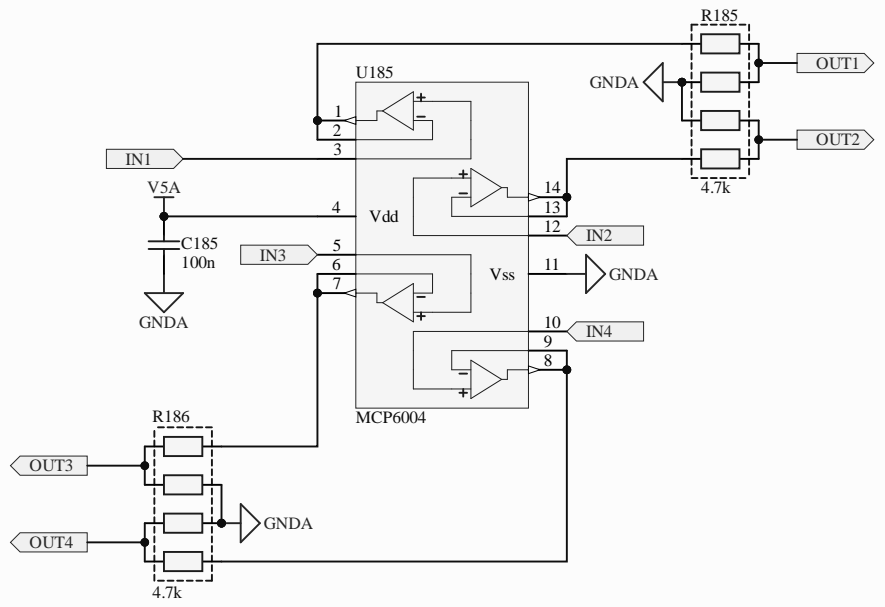


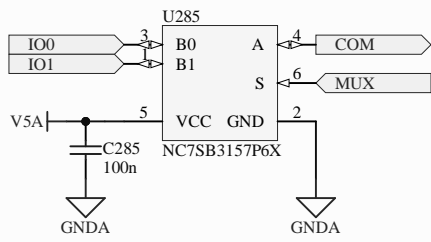


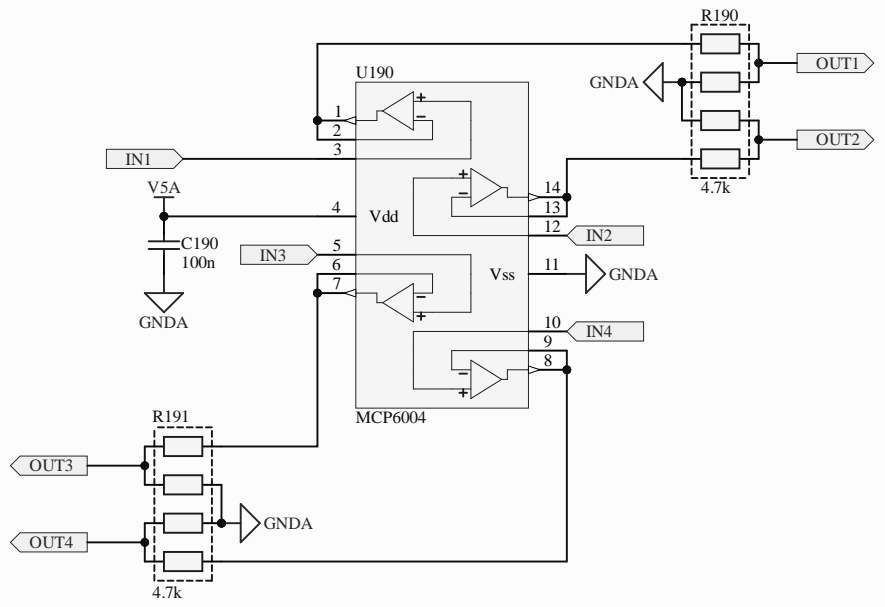


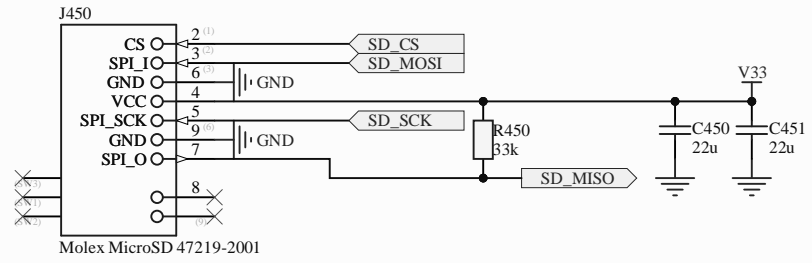


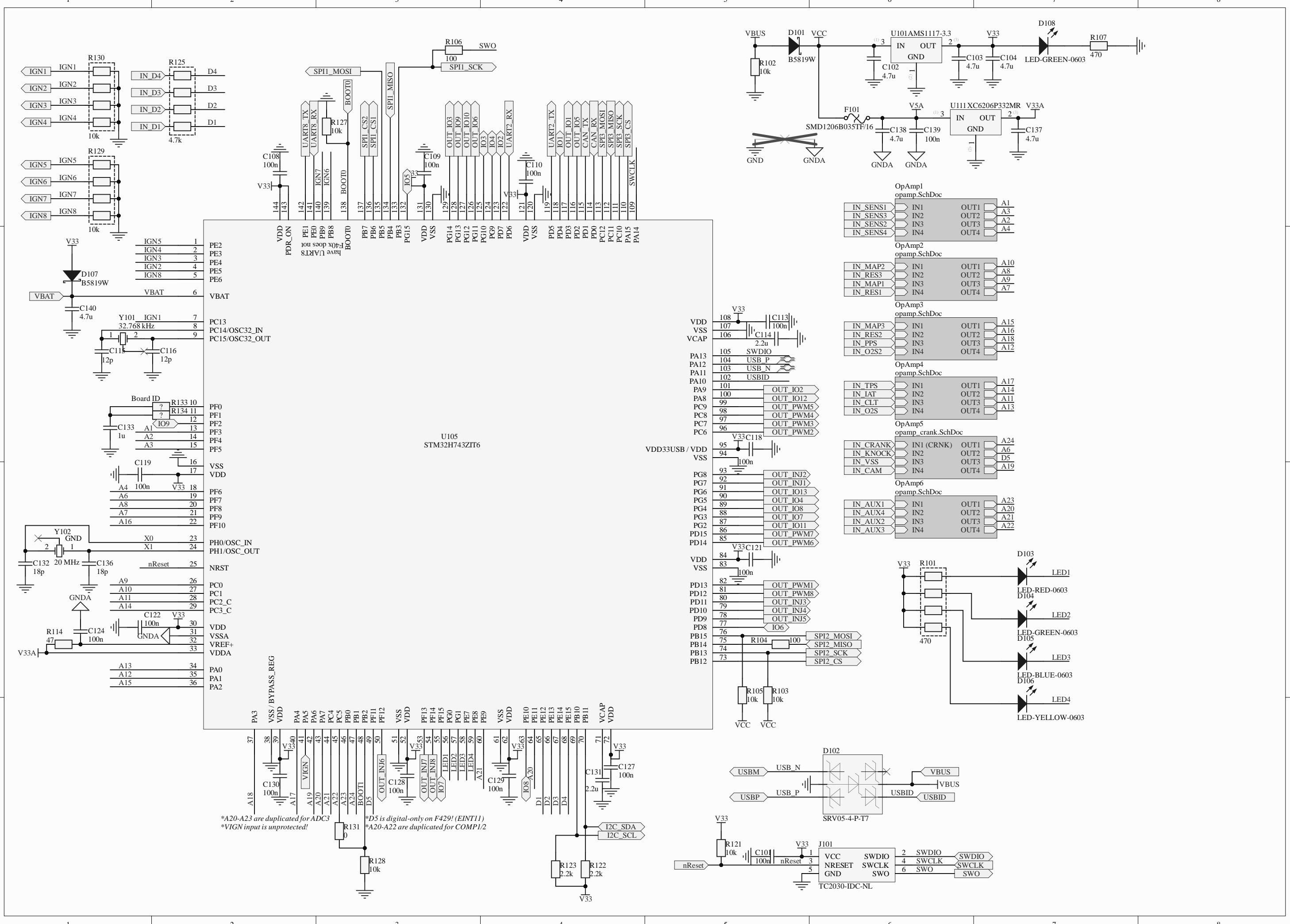












*A20-A23 are duplicated for ADC3
 *VIGN input is unprotected!

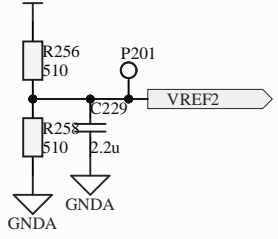
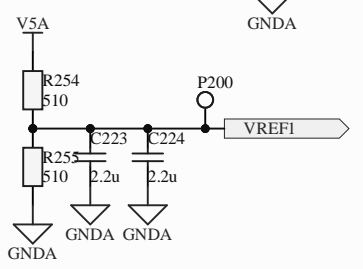
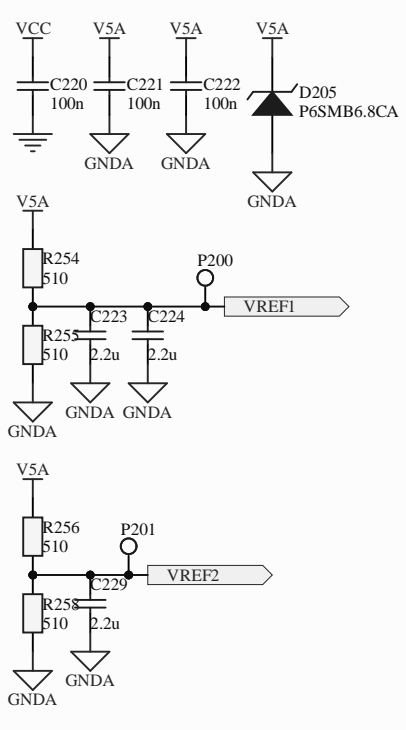
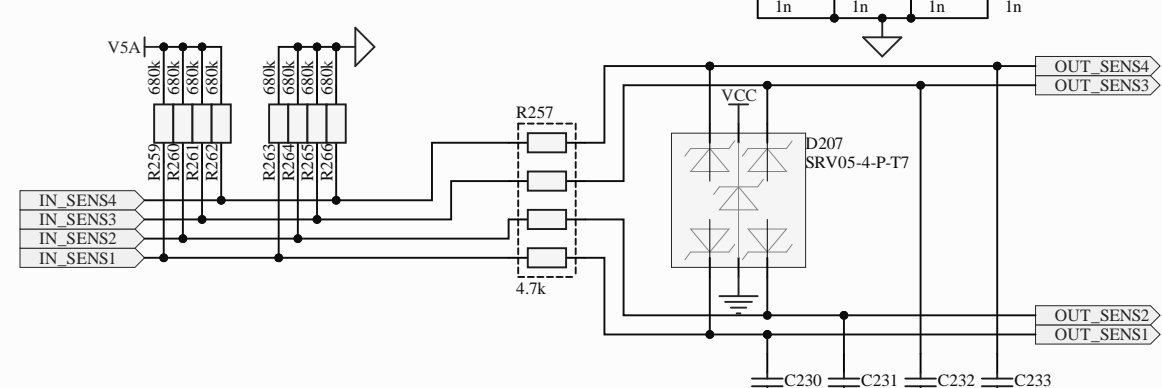
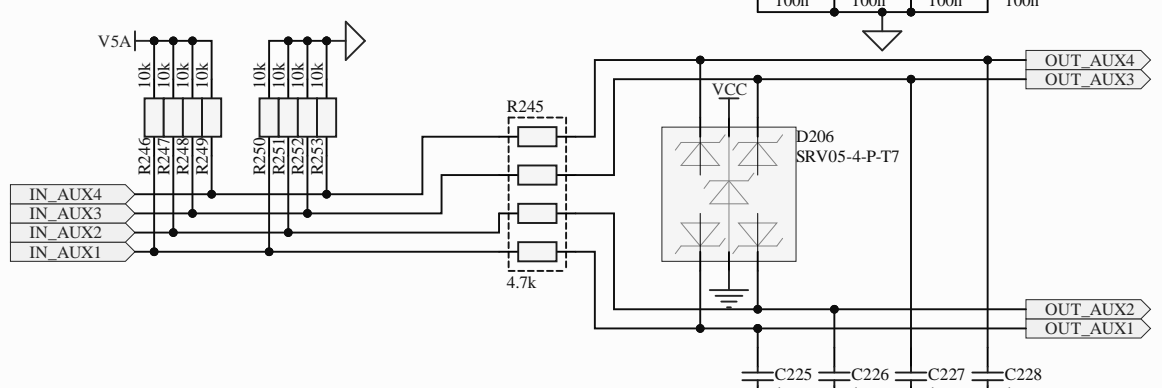
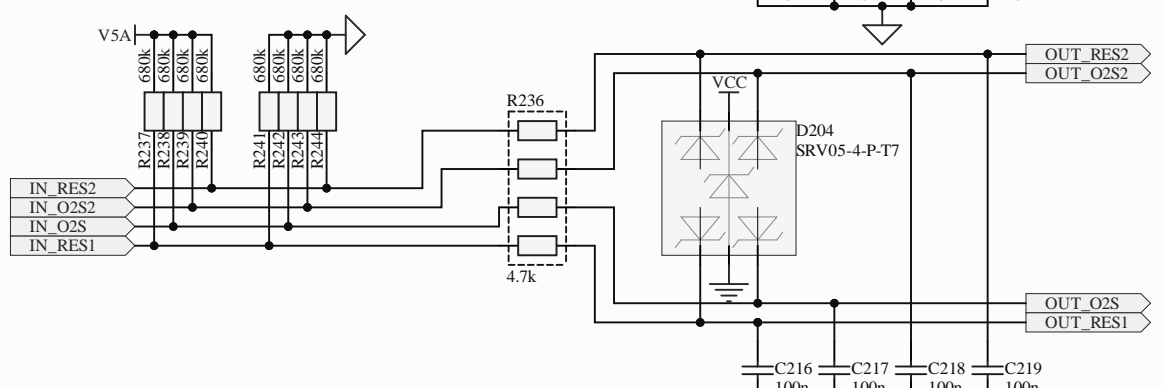
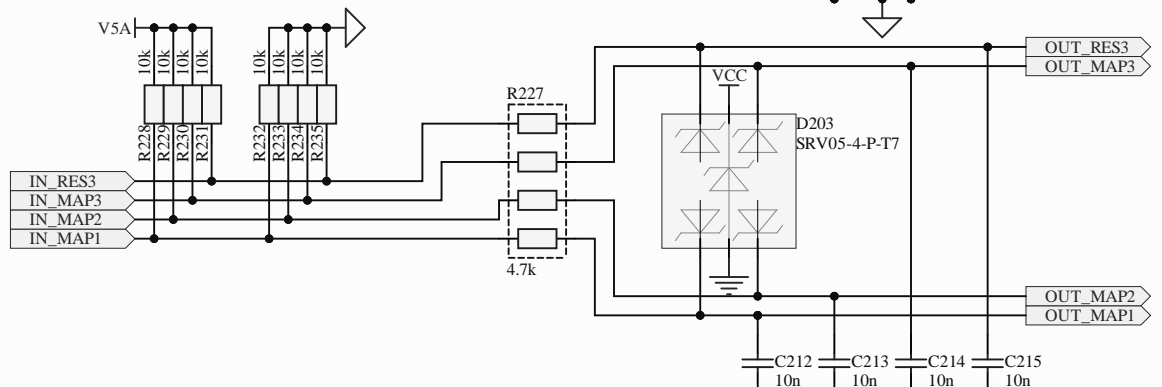
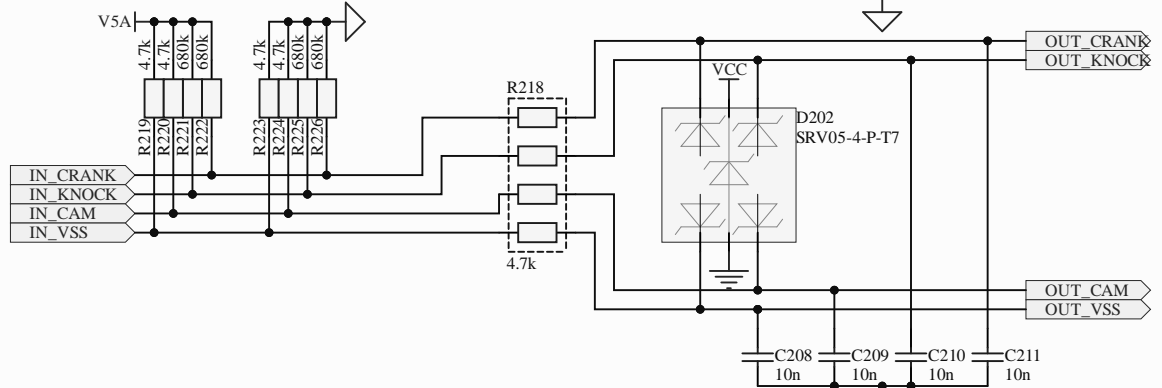
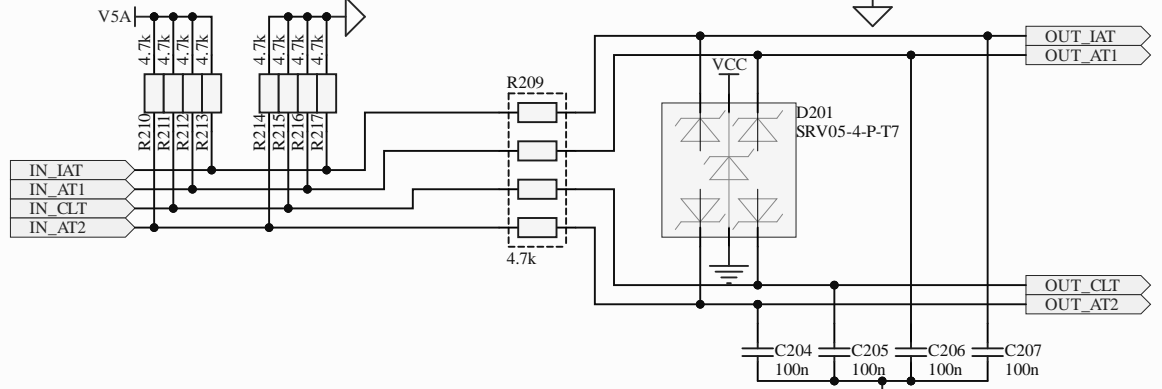
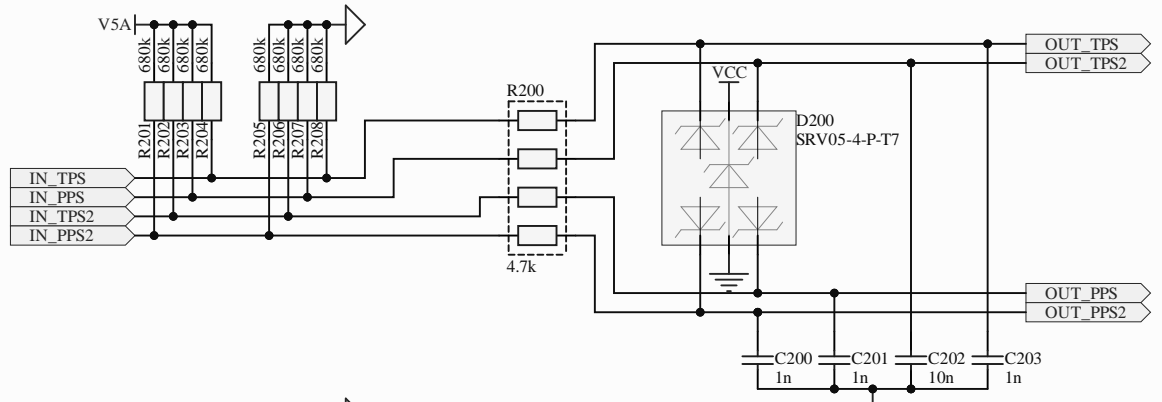
*D5 is digital-only on F429! (EINT11)
 *A20-A22 are duplicated for COMP1/2

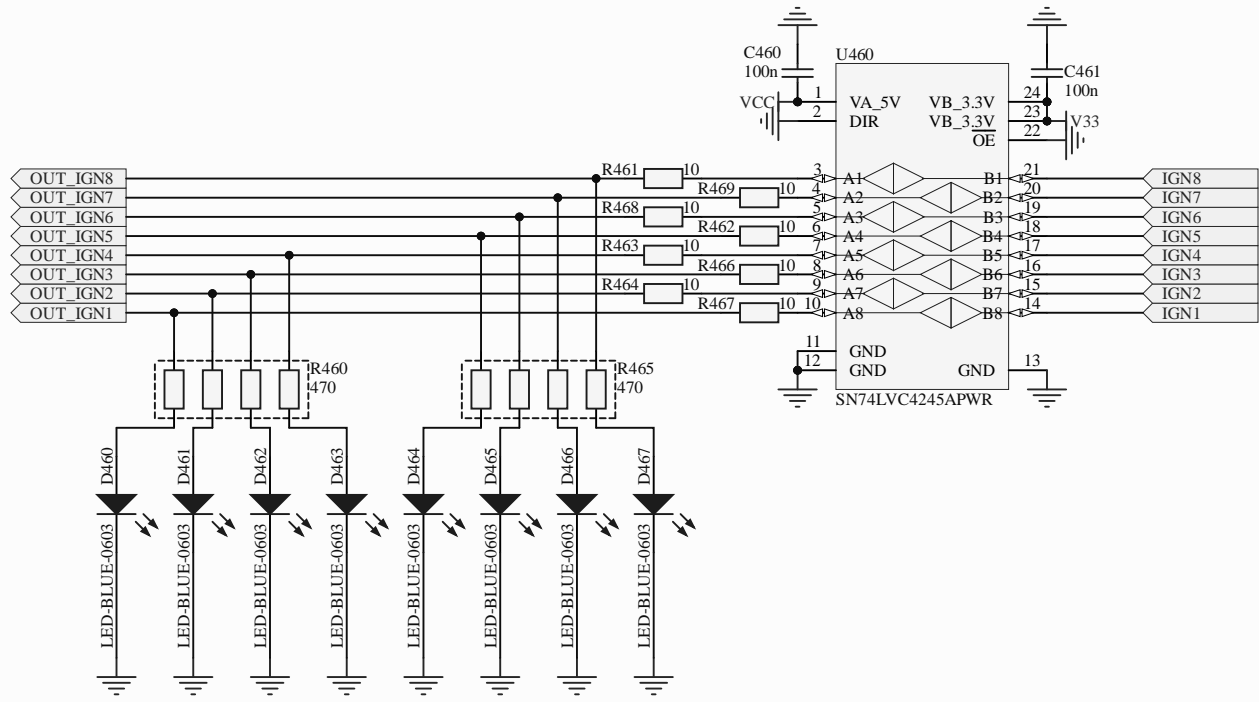
A
B
C
D

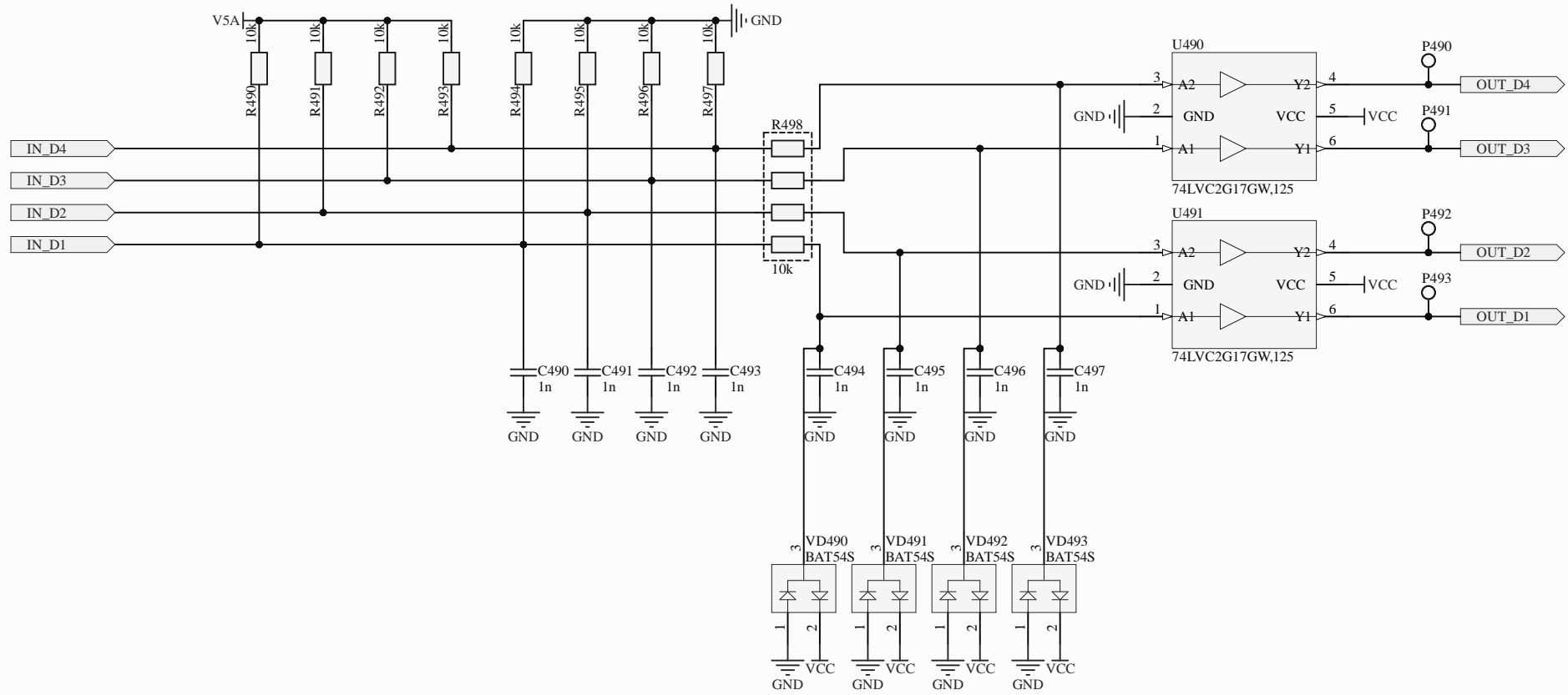
A
B
C
D

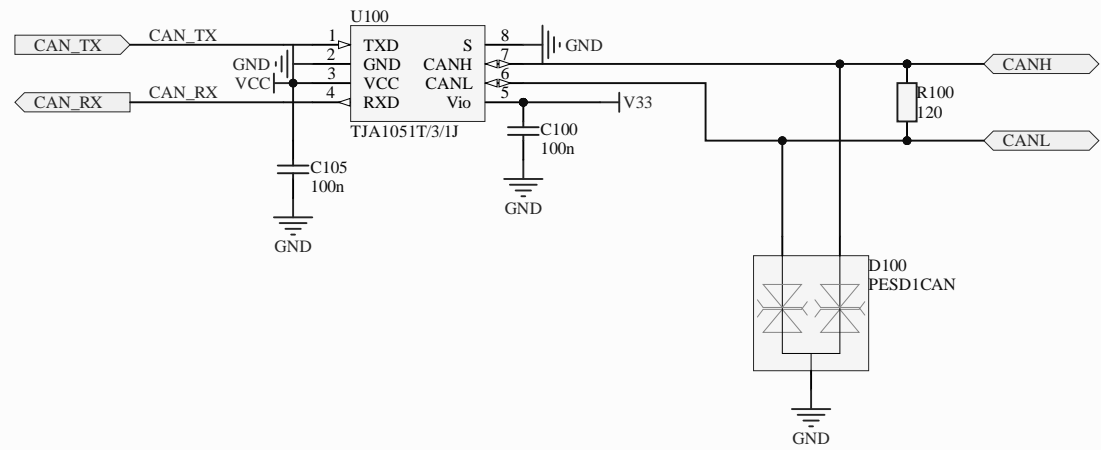
A
B
C
D
E
F
G
H

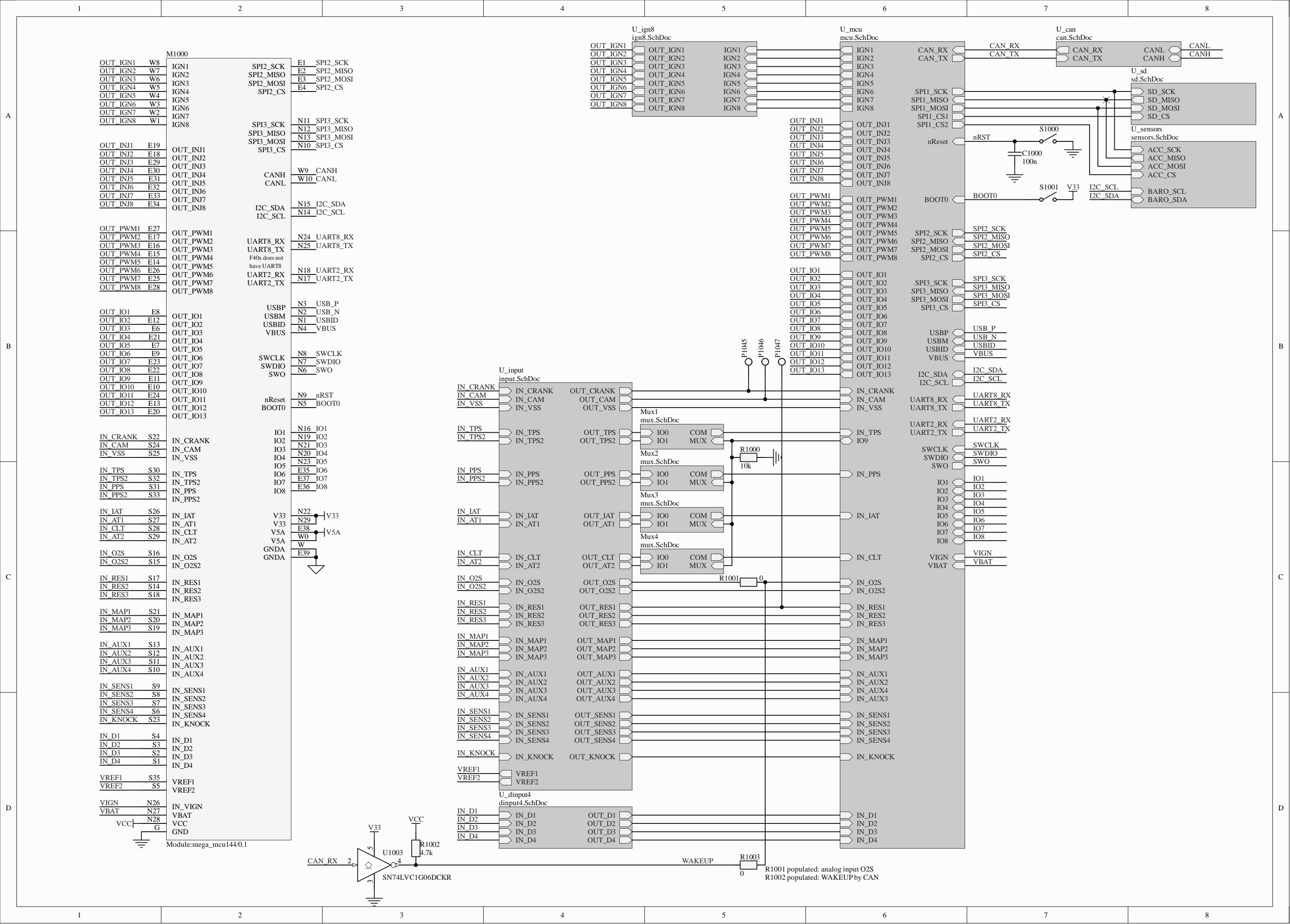
A
B
C
D
E
F
G
H











More accurate threshold for "raw" connection of VR sensors

