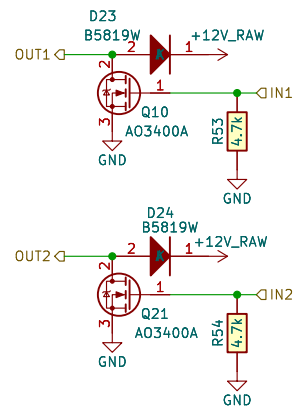
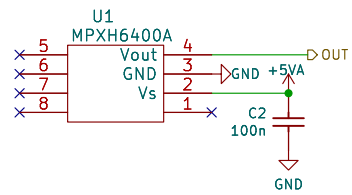


Sheet: /LS/		
File: LS6.kicad_sch		
Title:		
Size: A4	Date:	Rev:
KiCad E.D.A. kicad-cli 7.0.6-7.0.6-ubuntu22.04.1		Id: 2/9



Sheet: /LS_WEAK/		
File: LS_weak.kicad_sch		
Title:		
Size: A4	Date:	Rev:
KiCad E.D.A. kicad-cli 7.0.6-7.0.6-ubuntu22.04.1		Id: 3/9



Sheet: /MAP/
File: MAP.kicad_sch

Title:

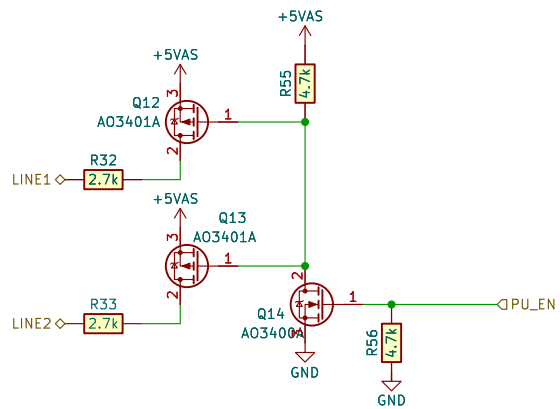
Size: A4

Date:

Rev:

KiCad E.D.A. kicad-cli 7.0.6-7.0.6-ubuntu22.04.1

Id: 4/9

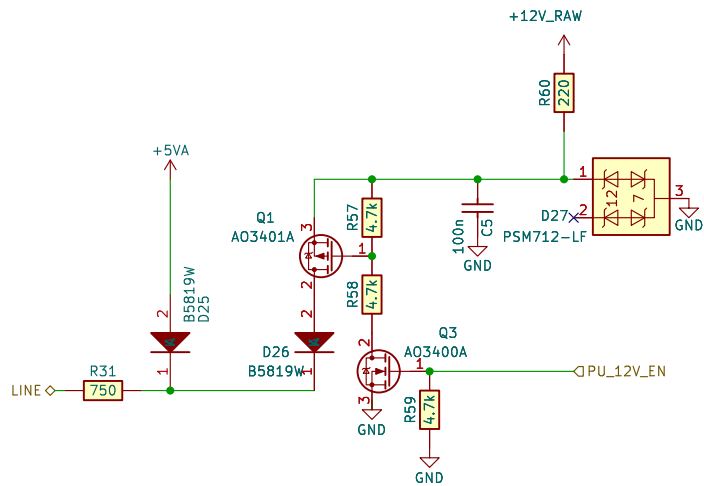


Sheet: /DOUBLE_PU/
 File: DOUBLE_PU.kicad_sch

Title:

Size: A4 Date:
 KiCad E.D.A. kicad-cli 7.0.6-7.0.6-ubuntu22.04.1

Rev:
 Id: 5/9

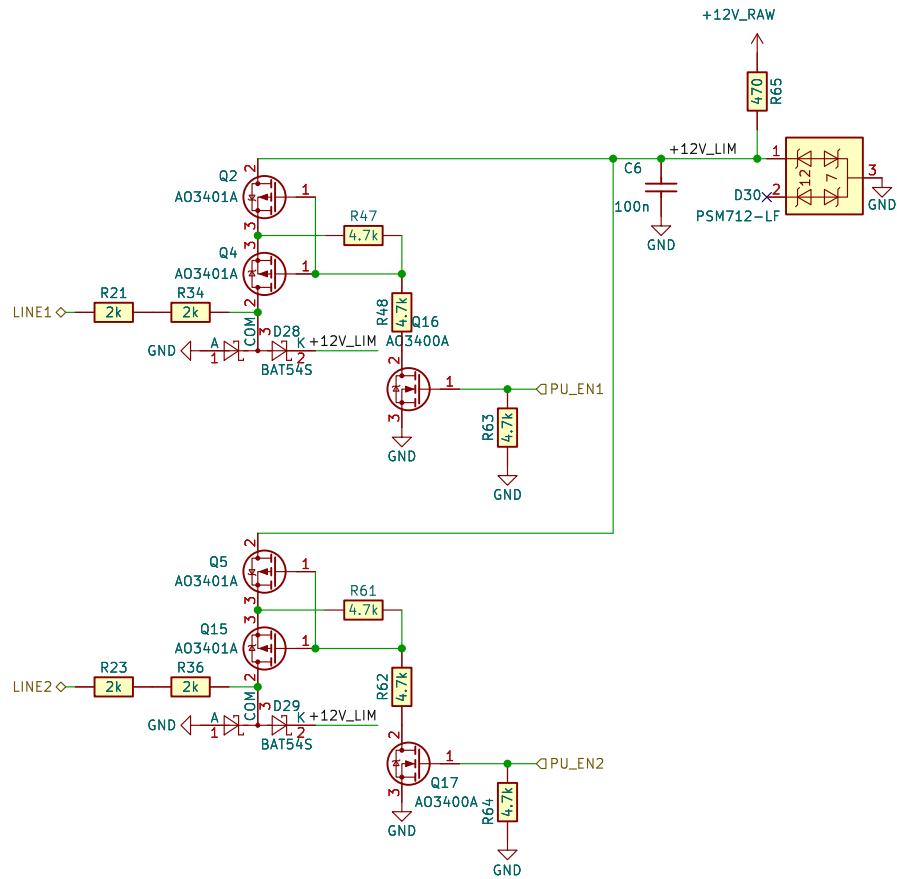


Sheet: /TACH_PU/
 File: TACH_PU.kicad_sch

Title:

Size: A4 Date: KiCad E.D.A. kicad-cli 7.0.6-7.0.6-ubuntu22.04.1

Rev: Id: 6/9

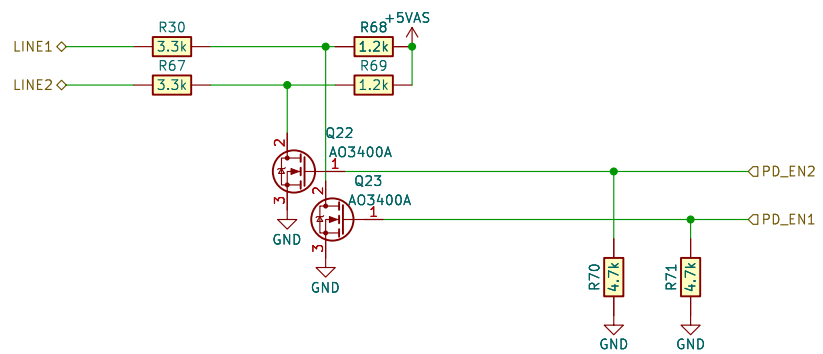


Sheet: /HALL_PU2/
 File: HALL_PU2.kicad_sch

Title:

Size: A4 Date:
 KiCad E.D.A. kicad-cli 7.0.6-7.0.6-ubuntu22.04.1

Rev:
 Id: 7/9

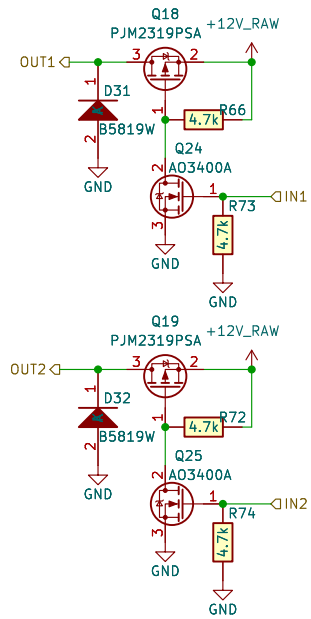


Sheet: /PD2/
 File: PD2.kicad_sch

Title:

Size: A4 Date:
 KiCad E.D.A. kicad-cli 7.0.6-7.0.6-ubuntu22.04.1

Rev:
 Id: 8/9

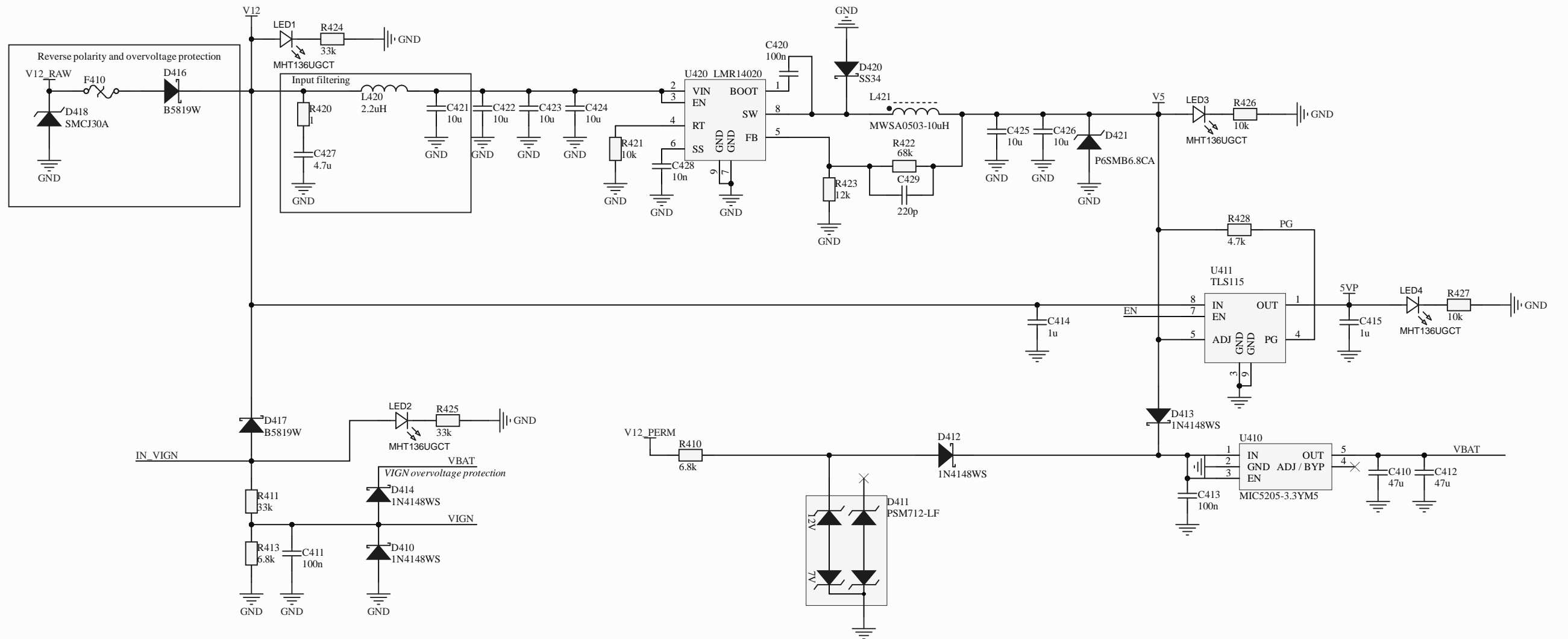
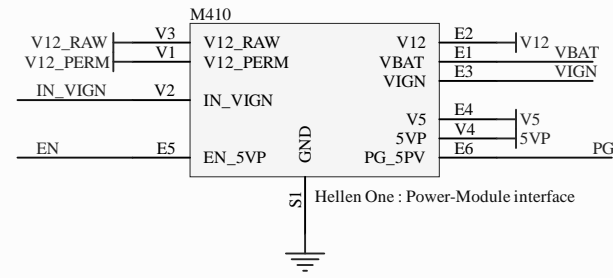


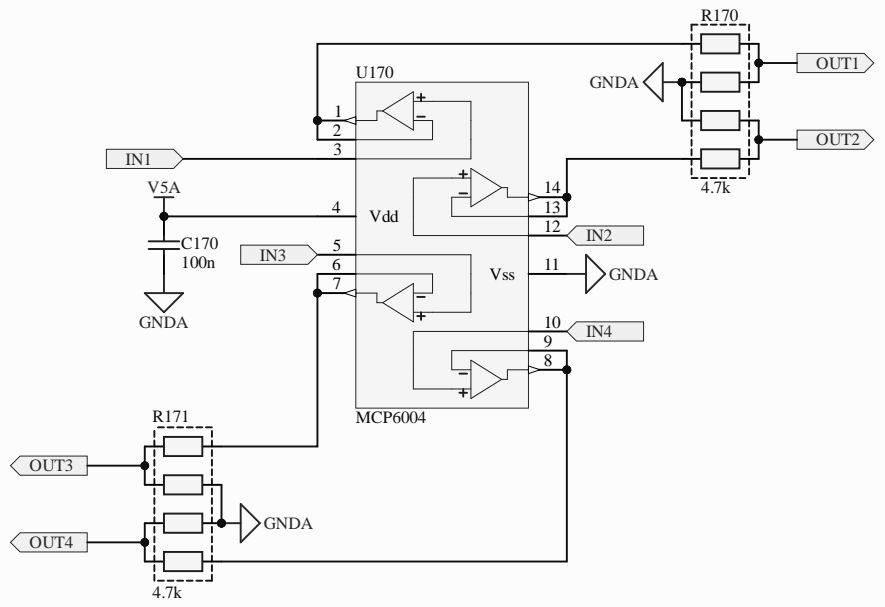
Sheet: /HS2/
 File: HS2.kicad_sch

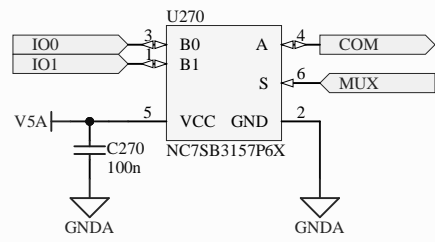
Title:

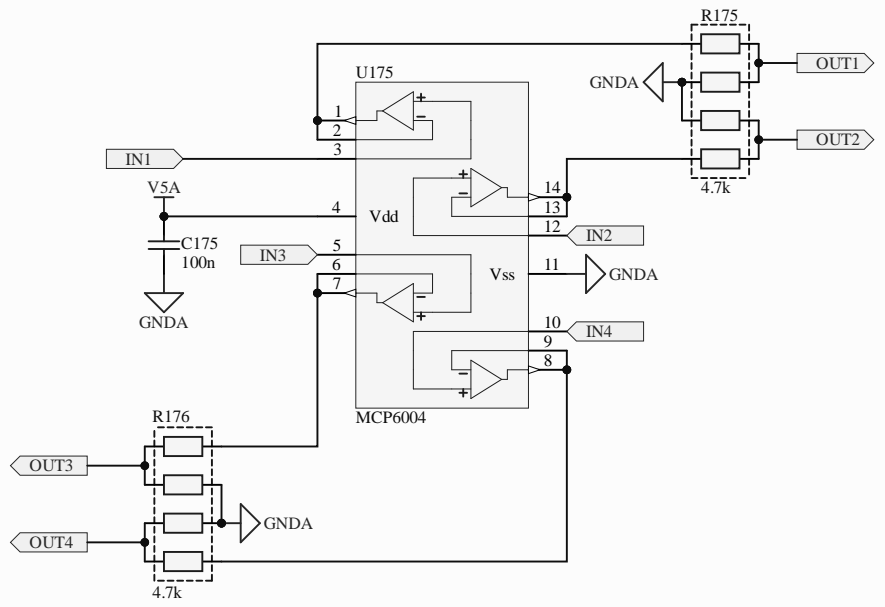
Size: A4 Date:
 KiCad E.D.A. kicad-cli 7.0.6-7.0.6-ubuntu22.04.1

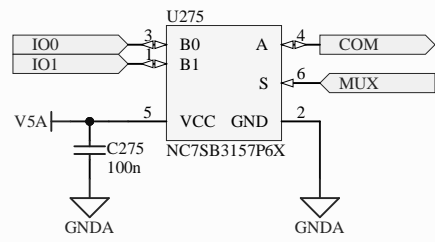
Rev:
 Id: 9/9

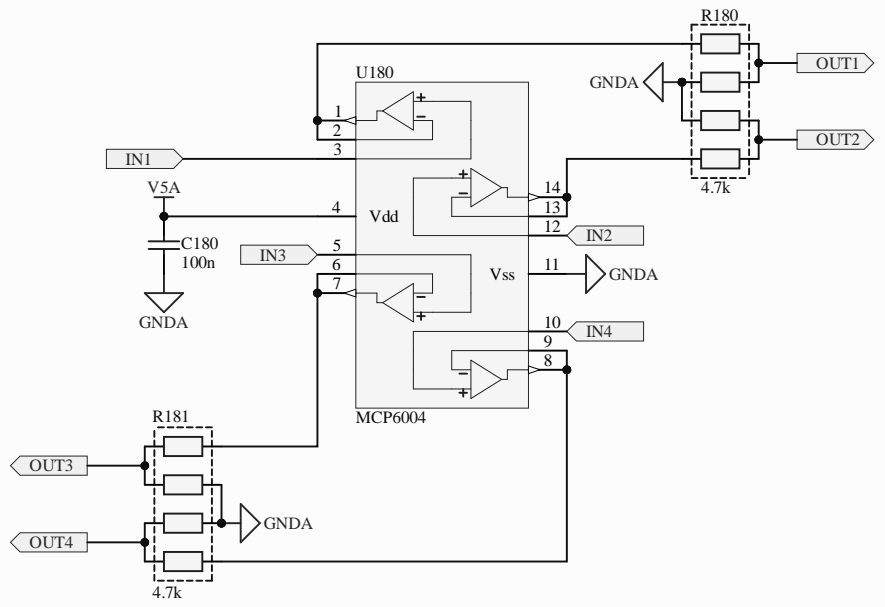


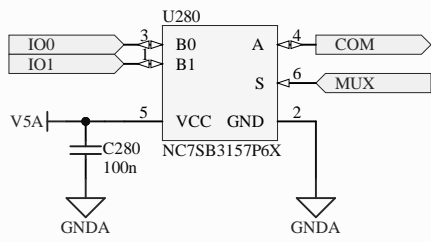


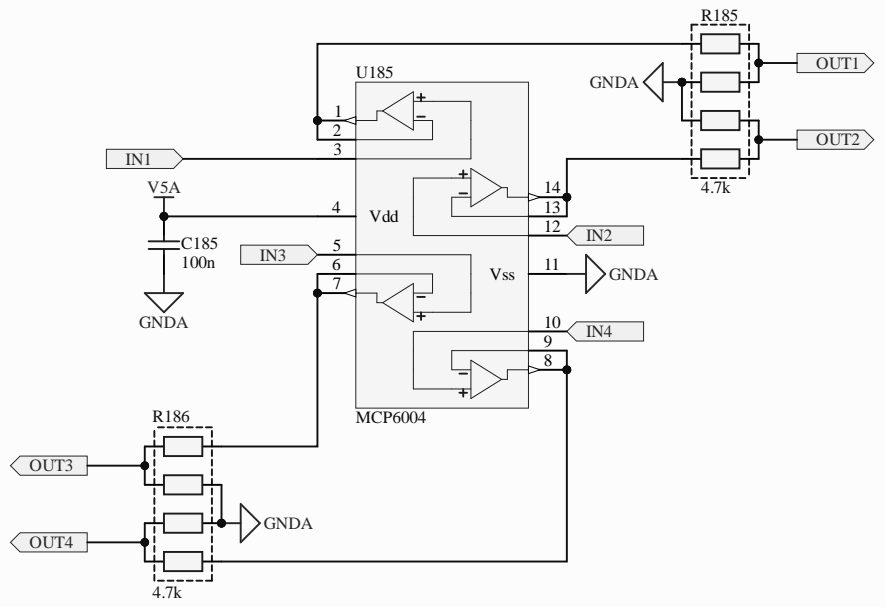


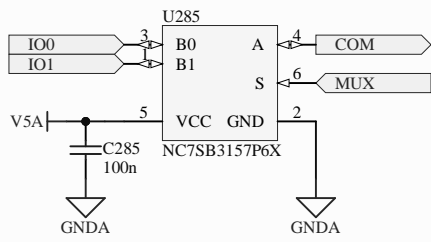


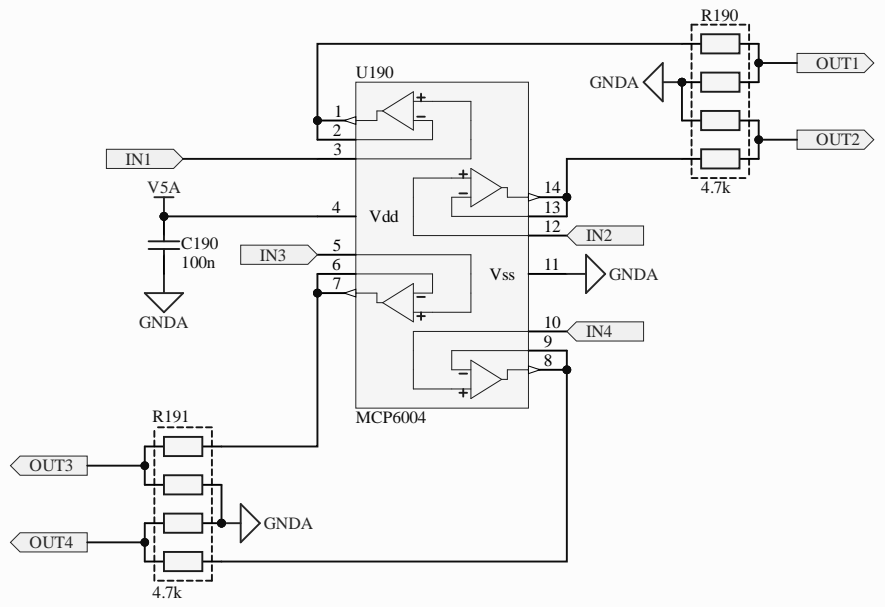


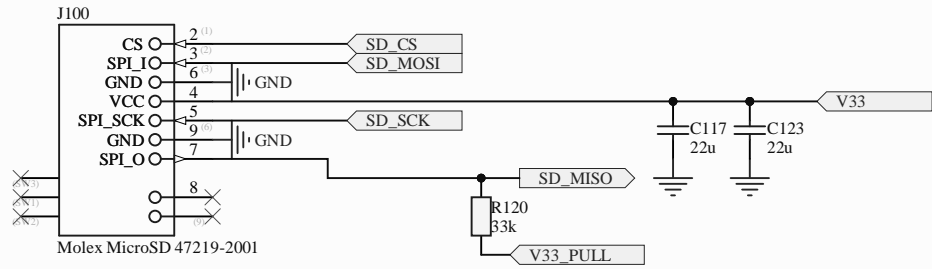


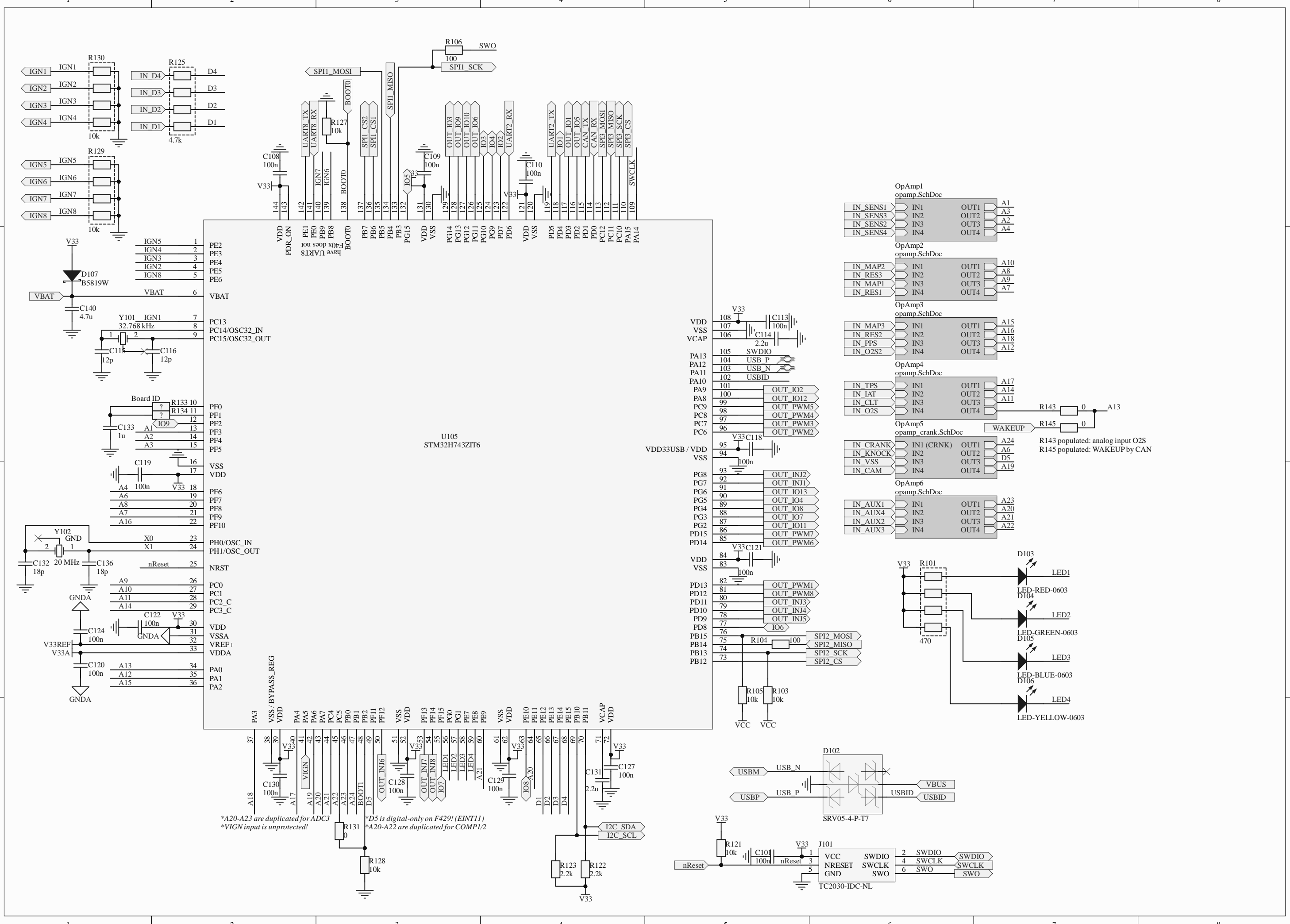




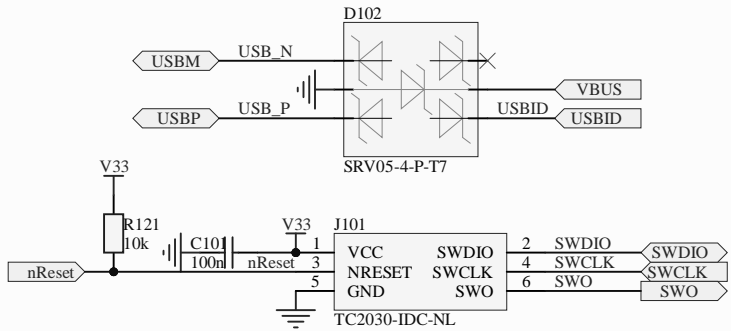
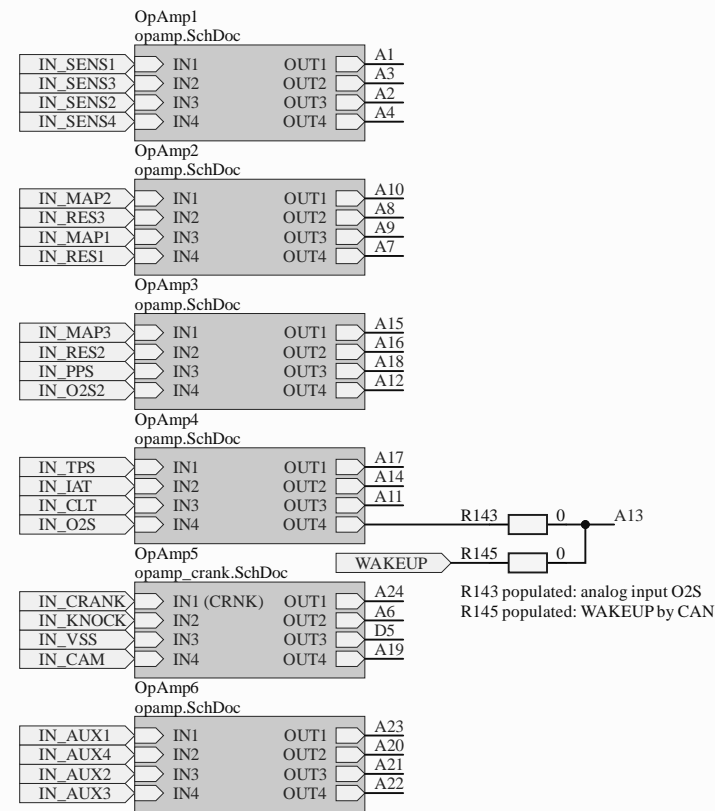






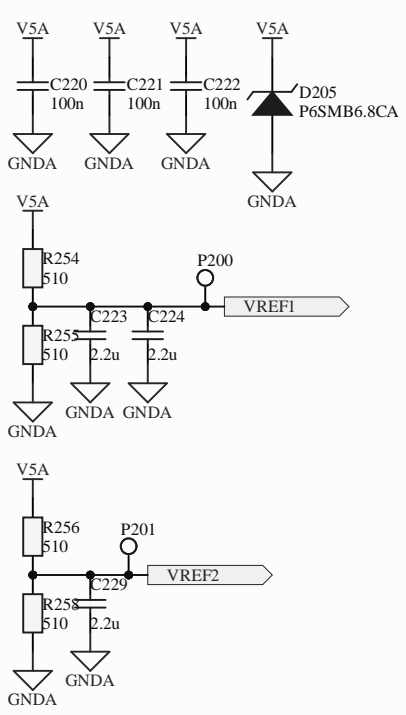
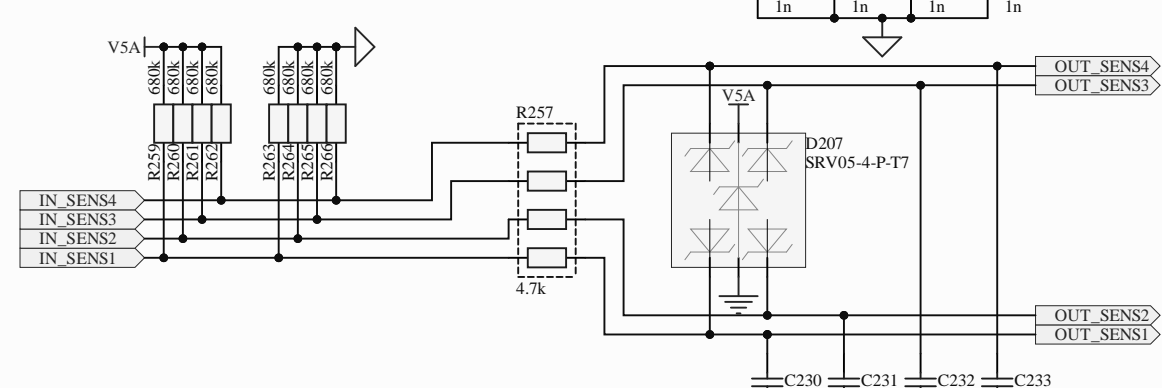
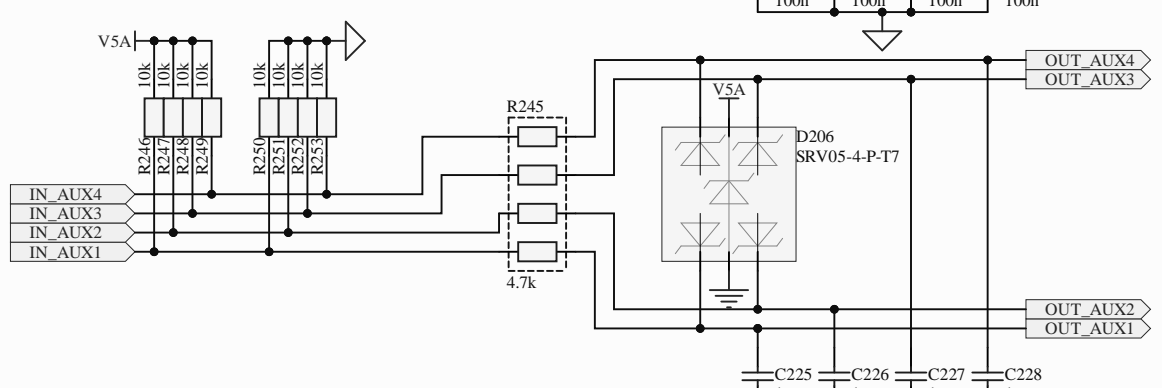
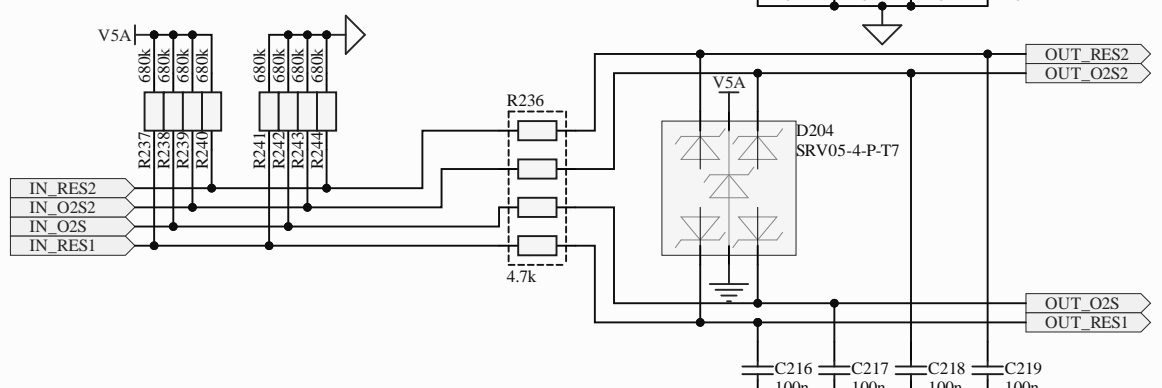
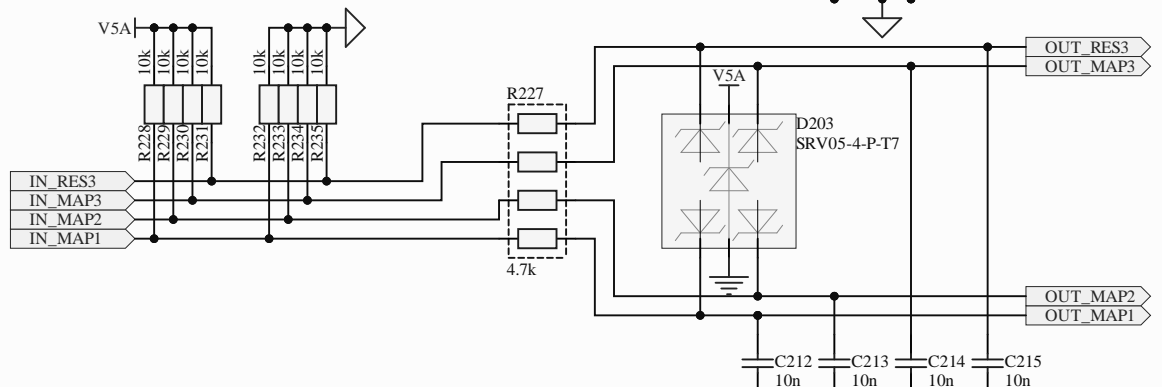
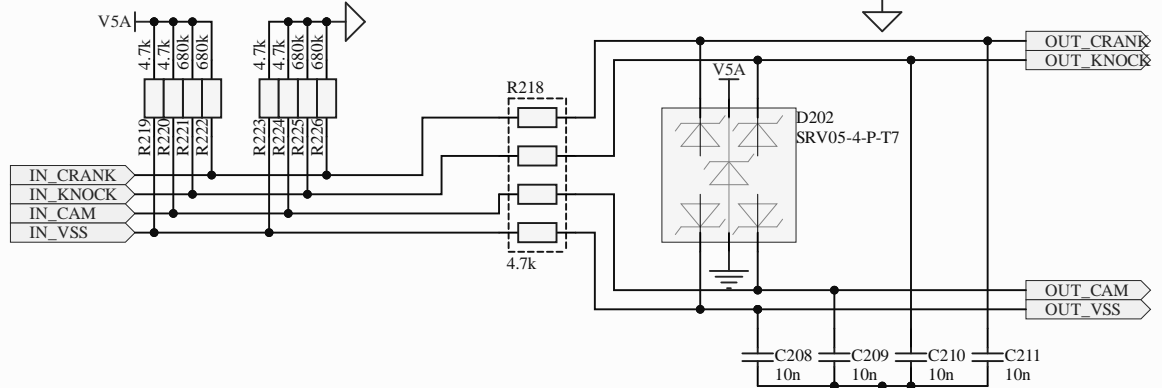
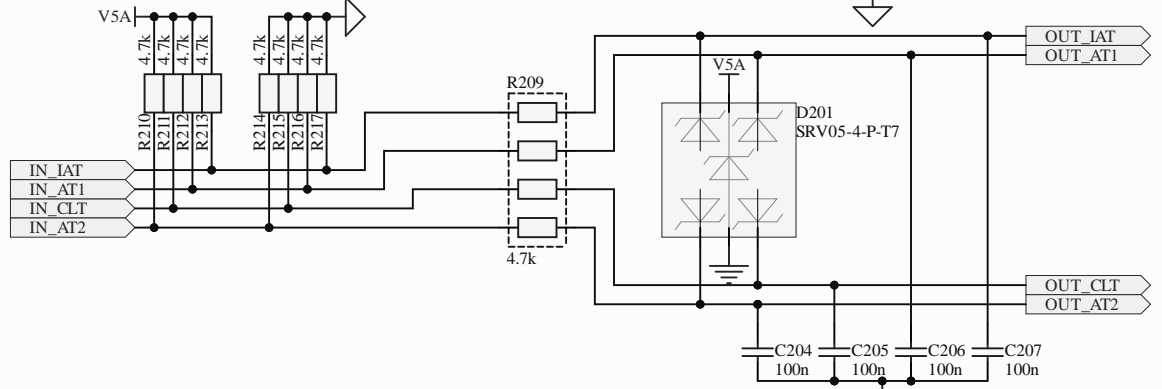
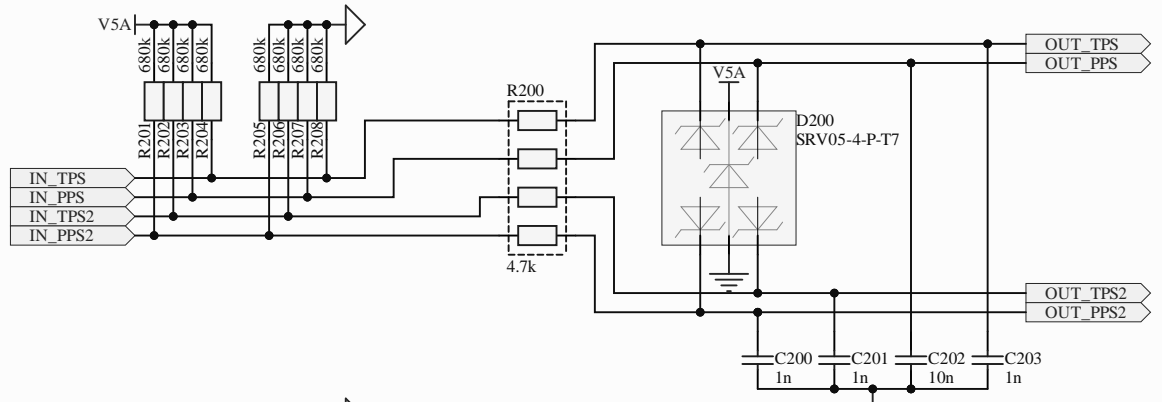


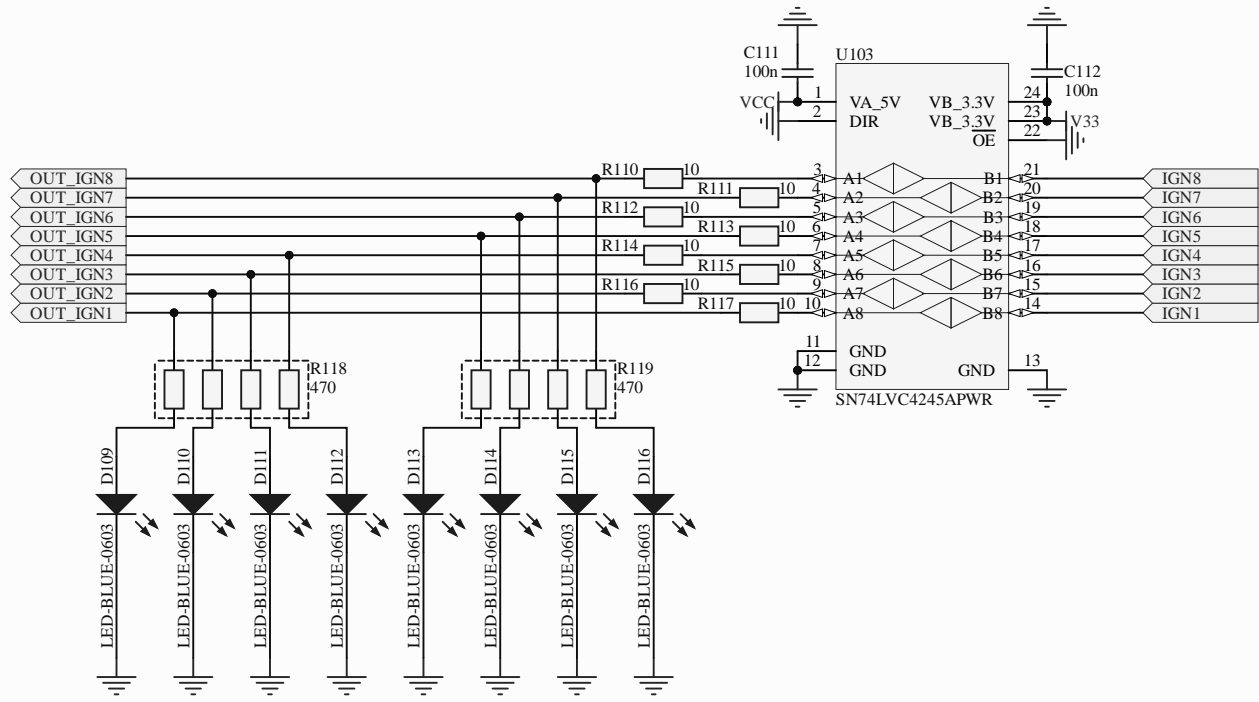
*A20-A23 are duplicated for ADC3
 *VIGN input is unprotected!
 *D5 is digital-only on F429! (EINT11)
 *A20-A22 are duplicated for COMP1/2

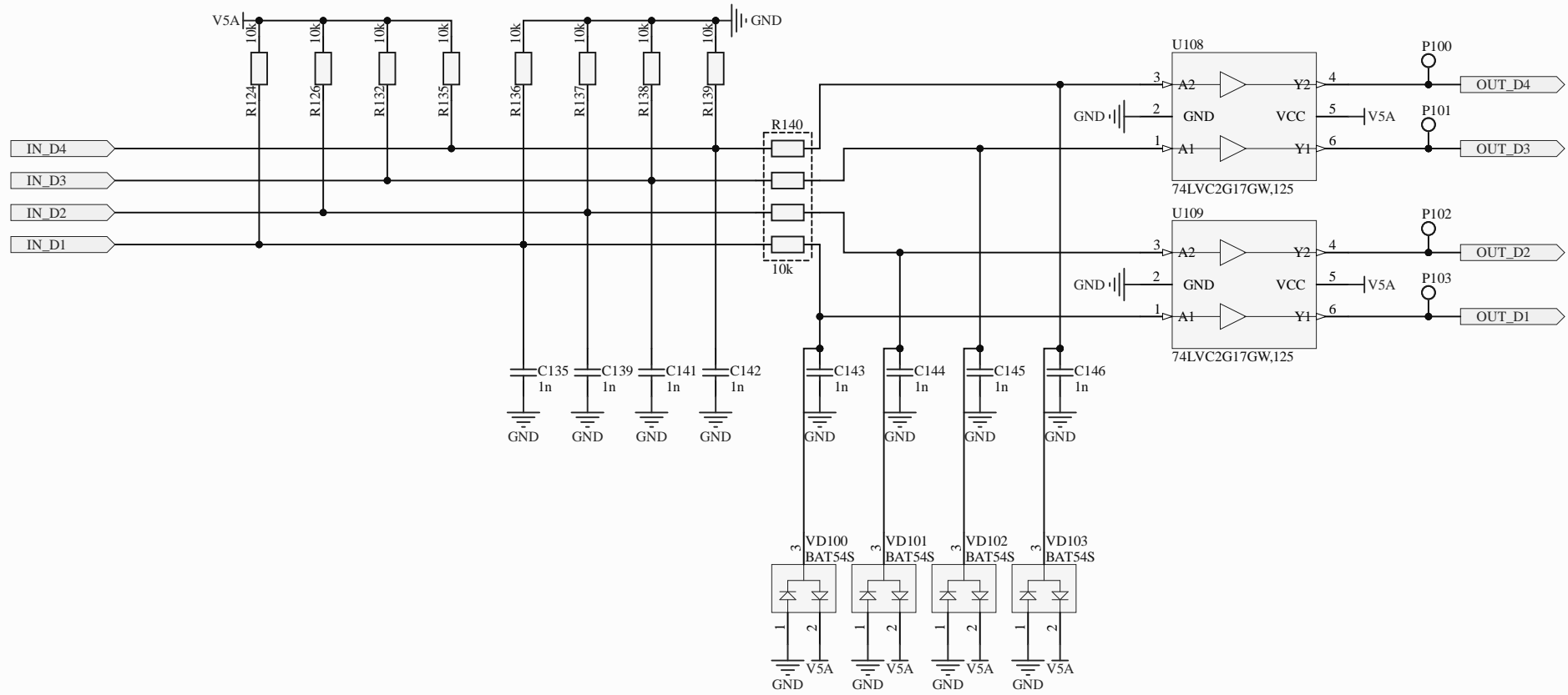


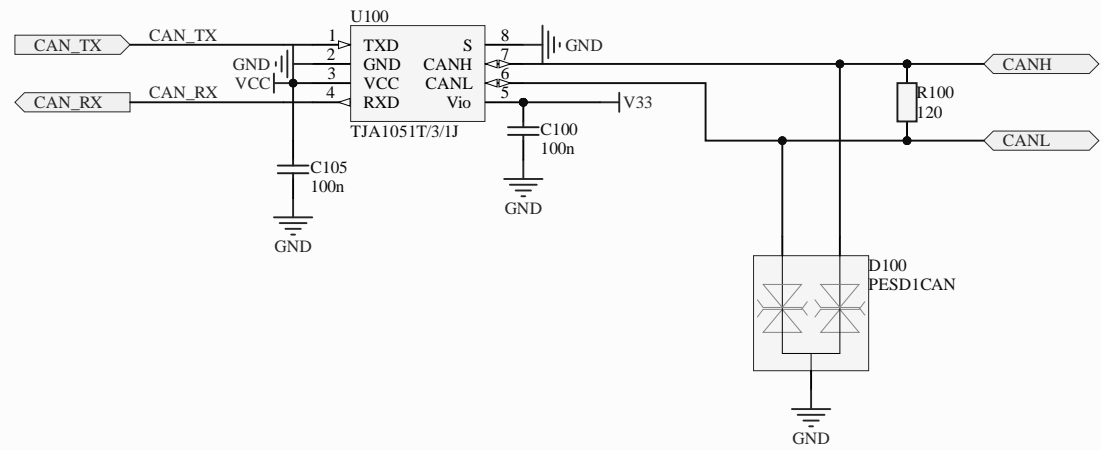
A
B
C
D
E
F
G
H

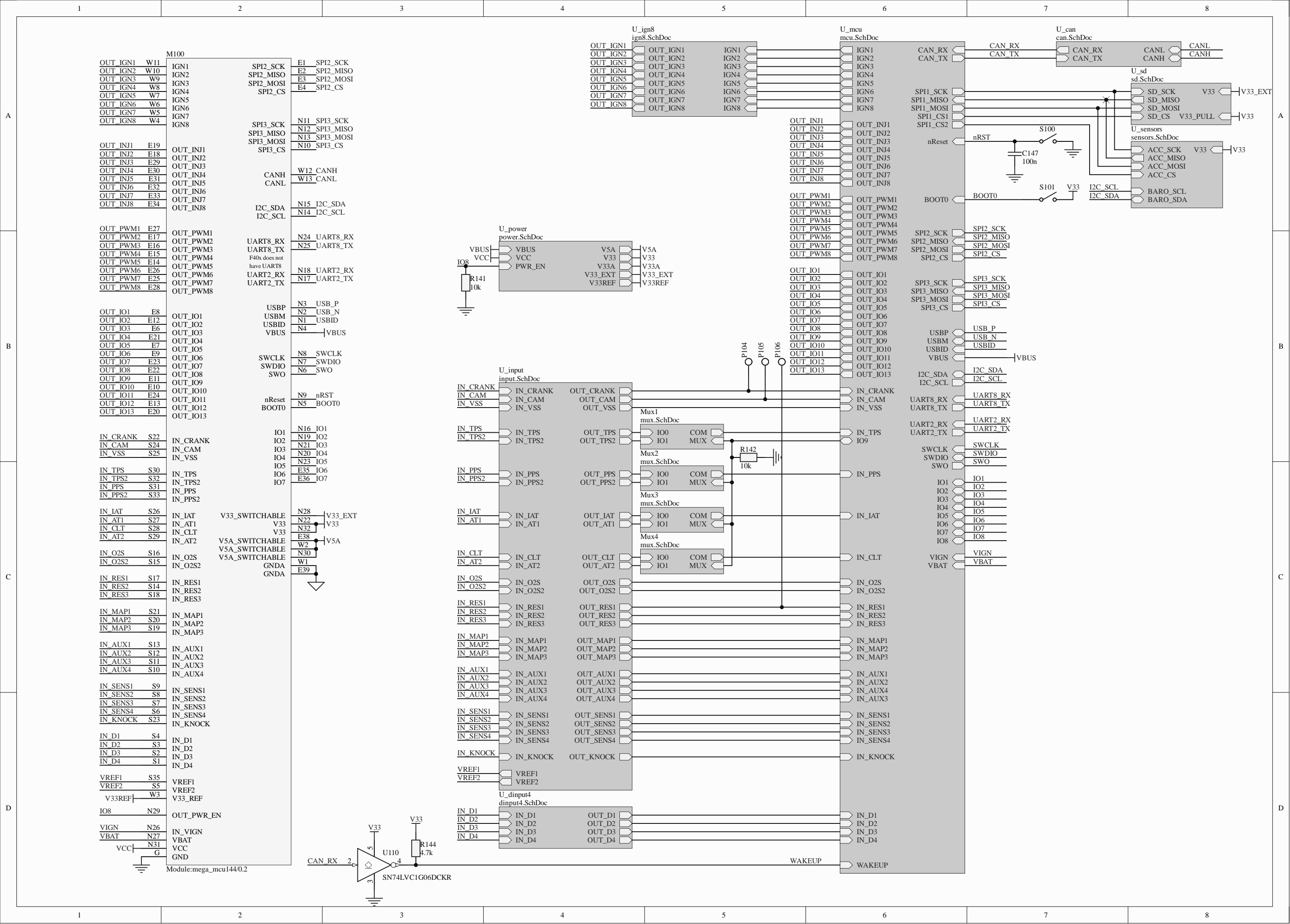
A
B
C
D
E
F
G
H



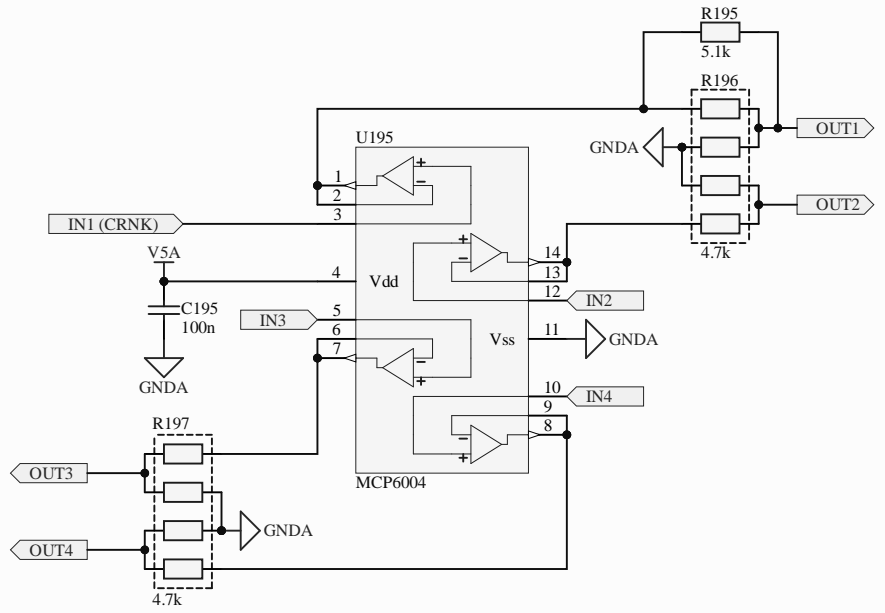


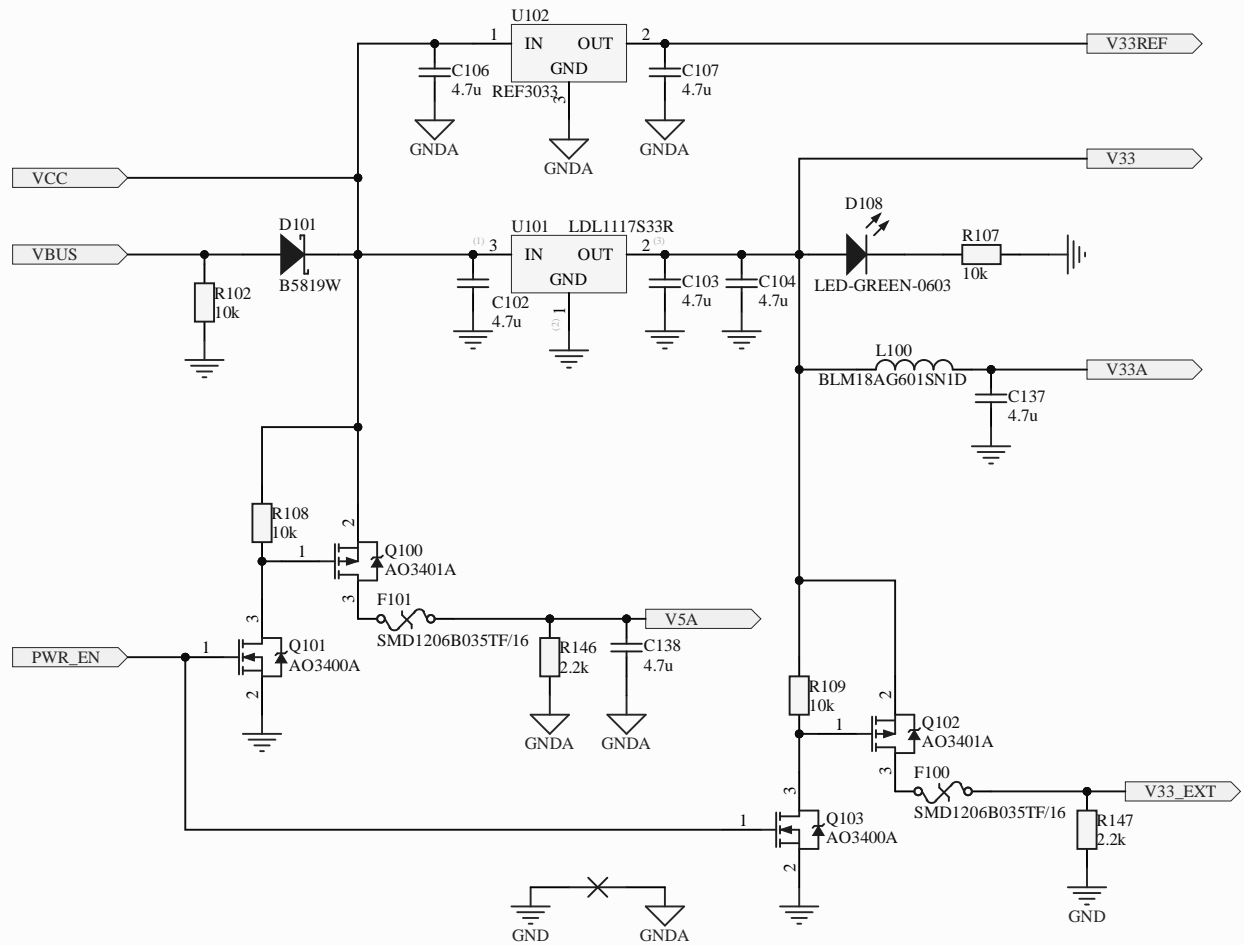




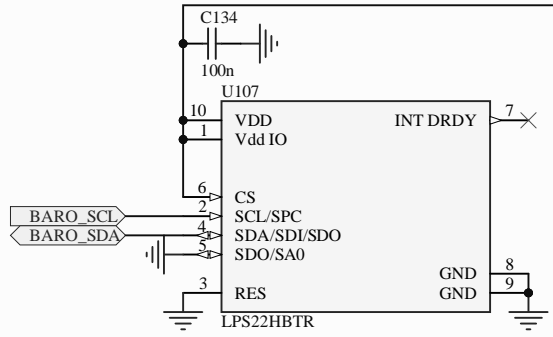
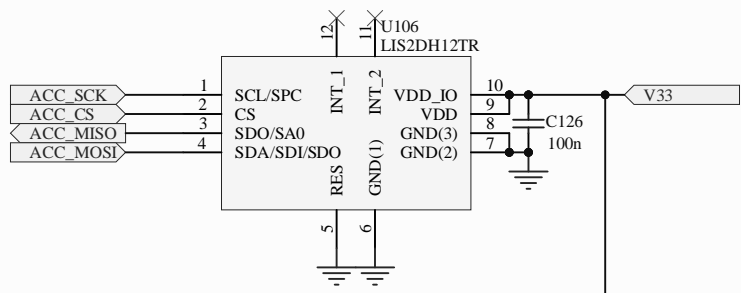


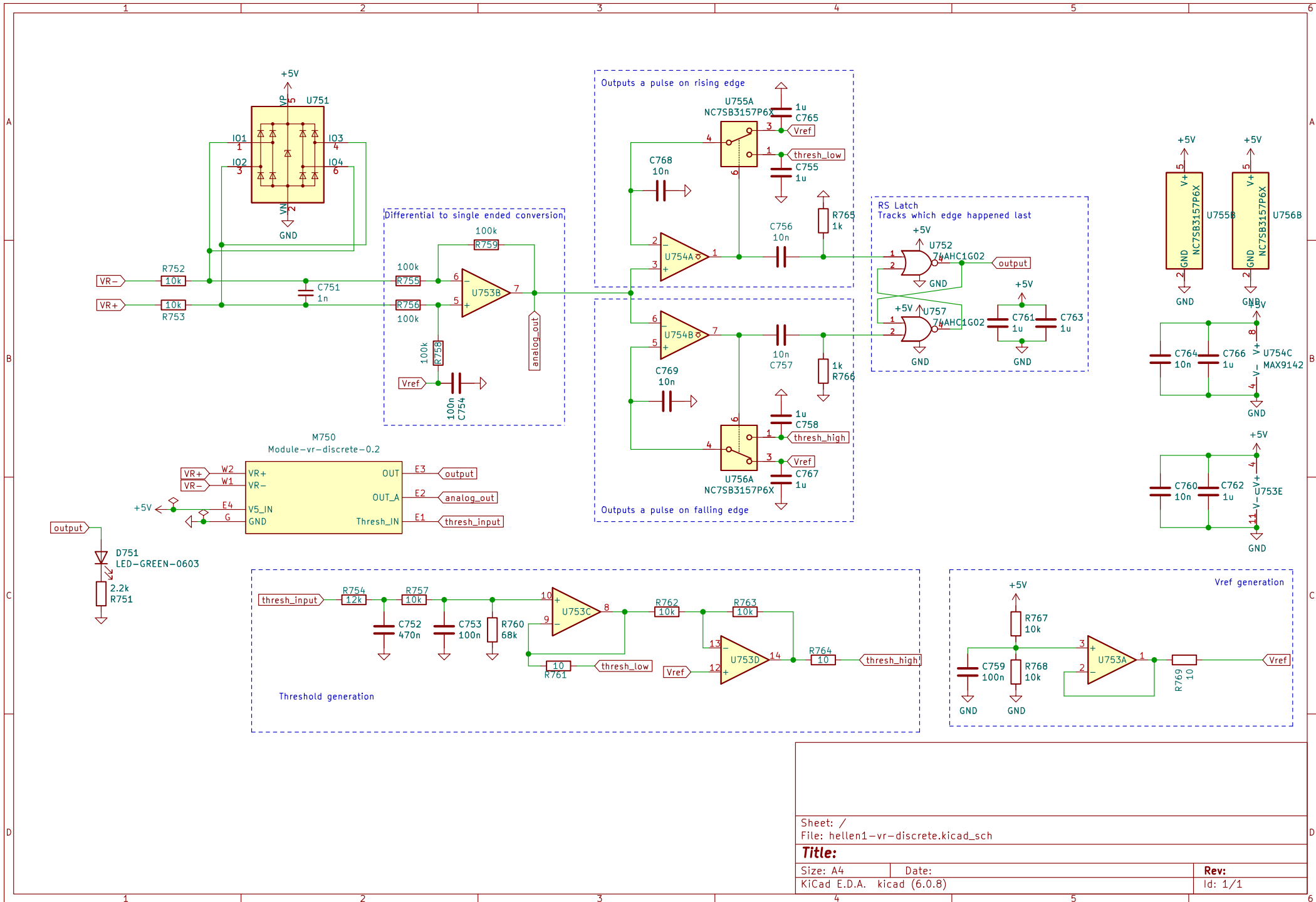
More accurate threshold for "raw" connection of VR sensors





Title		
Size	Number	Revision
A4		
Date:	5.19.2023	Sheet of
File:	C:\Work\...\power.SchDoc	Drawn By:





Sheet: /
 File: hellen1-vr-discrete.kicad_sch

Title:
 Size: A4
 KiCad E.D.A. kicad (6.0.8)

Date:
 Rev: 1/1

