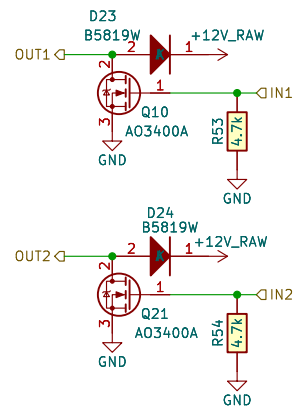


Sheet: /LS/		
File: LS6.kicad_sch		
Title:		
Size: A4	Date:	Rev:
KiCad E.D.A. kicad-cli 7.0.6-7.0.6-ubuntu22.04.1		Id: 2/9

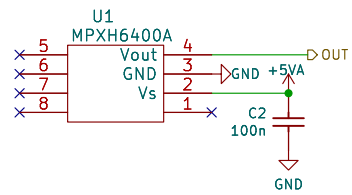


Sheet: /LS_WEAK/
 File: LS_weak.kicad_sch

Title:

Size: A4 Date: KiCad E.D.A. kicad-cli 7.0.6-7.0.6-ubuntu22.04.1

Rev: Id: 3/9



Sheet: /MAP/
File: MAP.kicad_sch

Title:

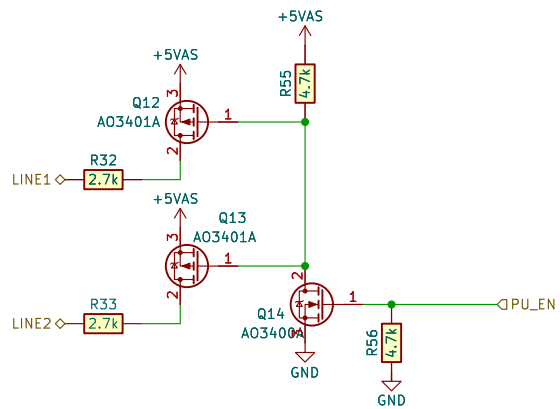
Size: A4

Date:

Rev:

KiCad E.D.A. kicad-cli 7.0.6-7.0.6-ubuntu22.04.1

Id: 4/9

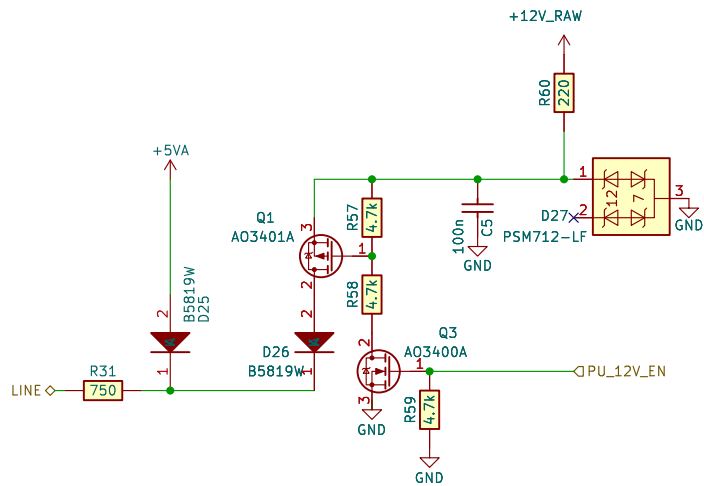


Sheet: /DOUBLE_PU/
 File: DOUBLE_PU.kicad_sch

Title:

Size: A4 Date:
 KiCad E.D.A. kicad-cli 7.0.6-7.0.6-ubuntu22.04.1

Rev:
 Id: 5/9

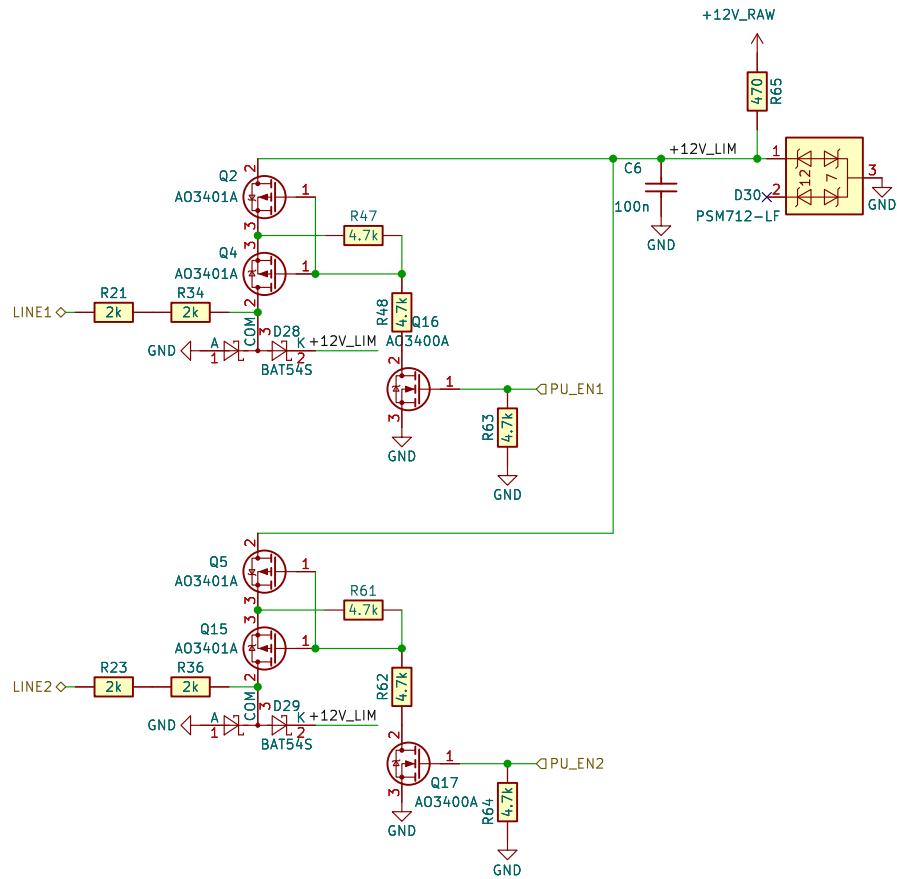


Sheet: /TACH_PU/
 File: TACH_PU.kicad_sch

Title:

Size: A4 Date: KiCad E.D.A. kicad-cli 7.0.6-7.0.6-ubuntu22.04.1

Rev: Id: 6/9

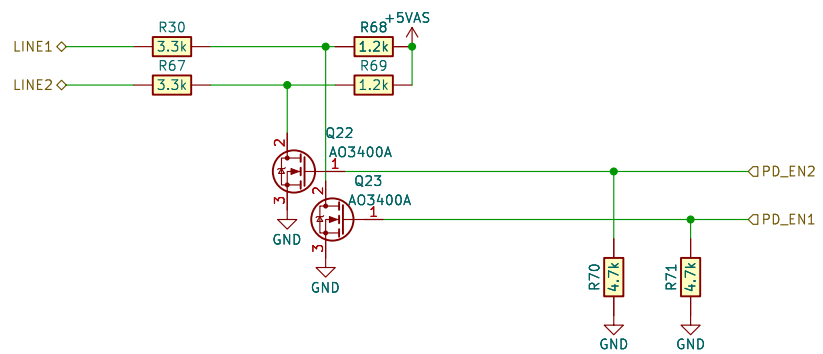


Sheet: /HALL_PU2/
 File: HALL_PU2.kicad_sch

Title:

Size: A4 Date:
 KiCad E.D.A. kicad-cli 7.0.6-7.0.6-ubuntu22.04.1

Rev:
 Id: 7/9

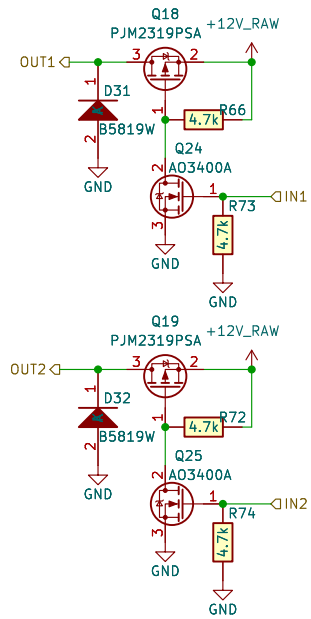


Sheet: /PD2/
 File: PD2.kicad_sch

Title:

Size: A4 Date: KiCad E.D.A. kicad-cli 7.0.6-7.0.6-ubuntu22.04.1

Rev: Id: 8/9



Sheet: /HS2/
 File: HS2.kicad_sch

Title:

Size: A4 Date:
 KiCad E.D.A. kicad-cli 7.0.6-7.0.6-ubuntu22.04.1

Rev:
 Id: 9/9