

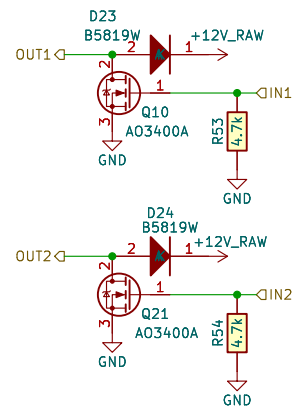
Sheet: /LS/
 File: LS6.kicad_sch

Title:

Size: A4
 KiCad E.D.A. kicad 7.0.1

Date:

Rev:
 Id: 2/9



Sheet: /LS_WEAK/
 File: LS_weak.kicad_sch

Title:

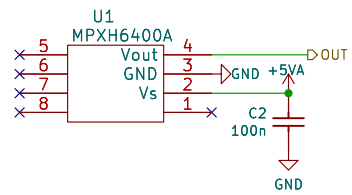
Size: A4

Date:

KiCad E.D.A. kicad 7.0.1

Rev:

Id: 3/9



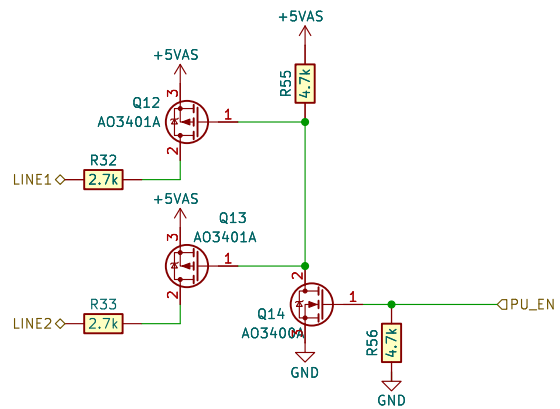
Sheet: /MAP/
File: MAP.kicad_sch

Title:

Size: A4
KiCad E.D.A. kicad 7.0.1

Date:

Rev:
Id: 4/9



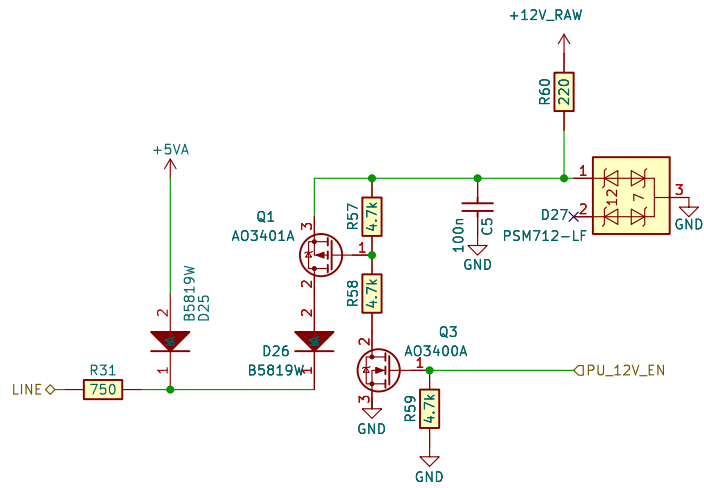
Sheet: /DOUBLE_PU/
 File: DOUBLE_PU.kicad_sch

Title:

Size: A4
 KiCad E.D.A. kicad 7.0.1

Date:

Rev:
 Id: 5/9

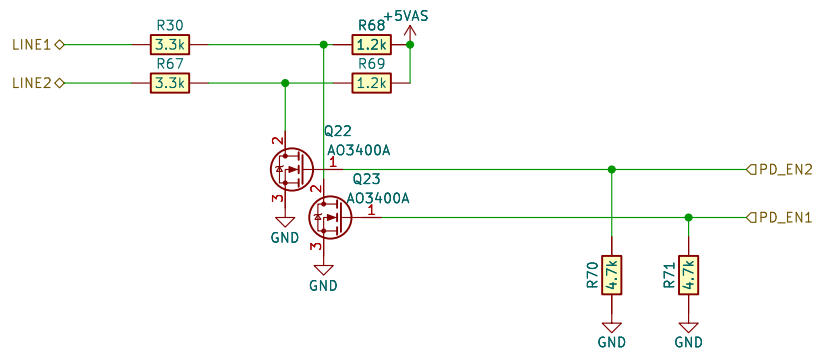


Sheet: /TACH_PU/
 File: TACH_PU.kicad_sch

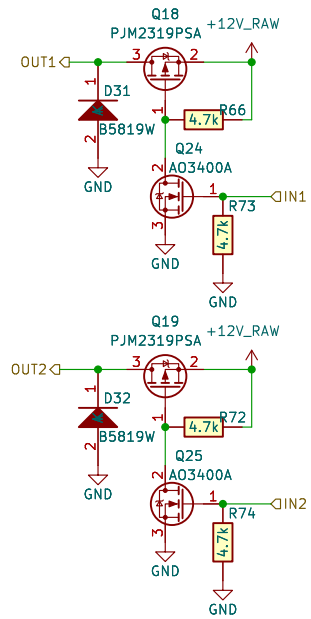
Title:

Size: A4 Date:
 KiCad E.D.A. kicad 7.0.1

Rev:
 Id: 6/9



Sheet: /PD2/		
File: PD2.kicad_sch		
Title:		
Size: A4	Date:	Rev:
KiCad E.D.A. kicad 7.0.1		Id: 8/9



Sheet: /HS2/		
File: HS2.kicad_sch		
Title:		
Size: A4	Date:	Rev:
KiCad E.D.A. kicad 7.0.1		Id: 9/9