

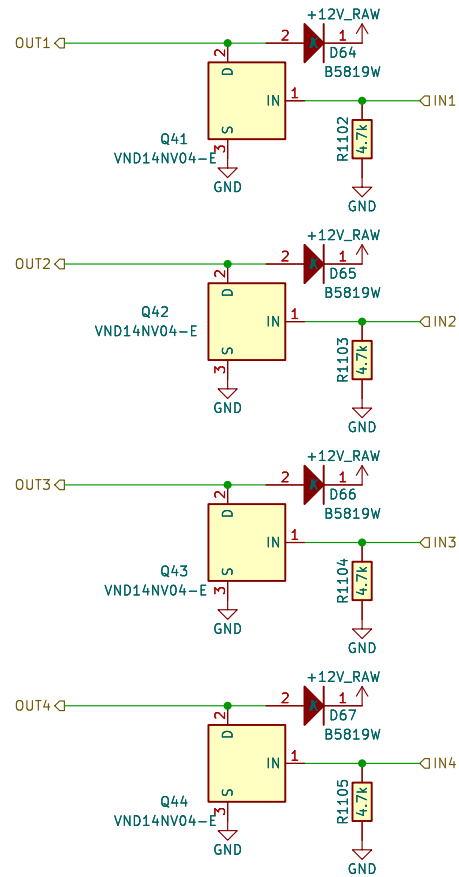
Sheet: /INJ/  
 File: INJ4.kicad\_sch

**Title:**

Size: A4  
 KiCad E.D.A. kicad-cli 7.0.11-7.0.11-ubuntu22.04.1

Date:

Rev:  
 Id: 3/14

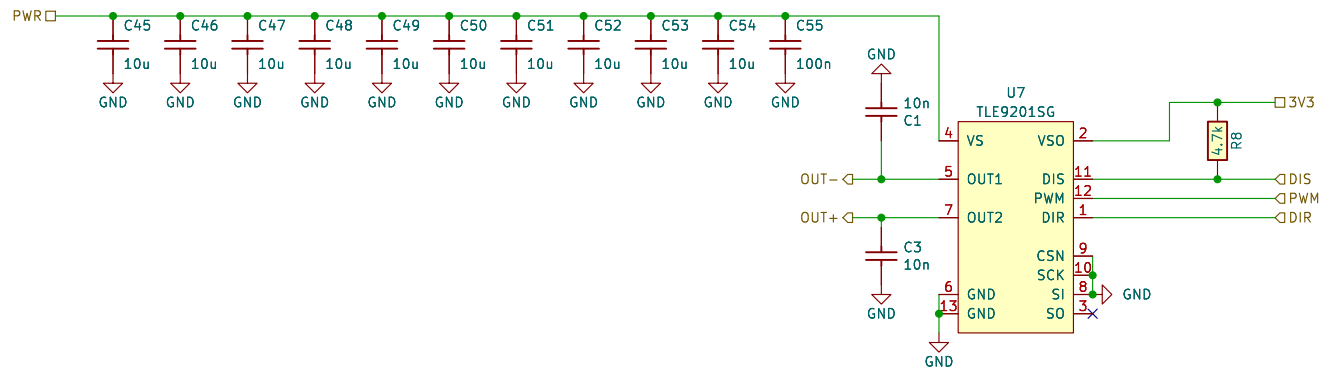


Sheet: /LS1/  
 File: LS4.kicad\_sch

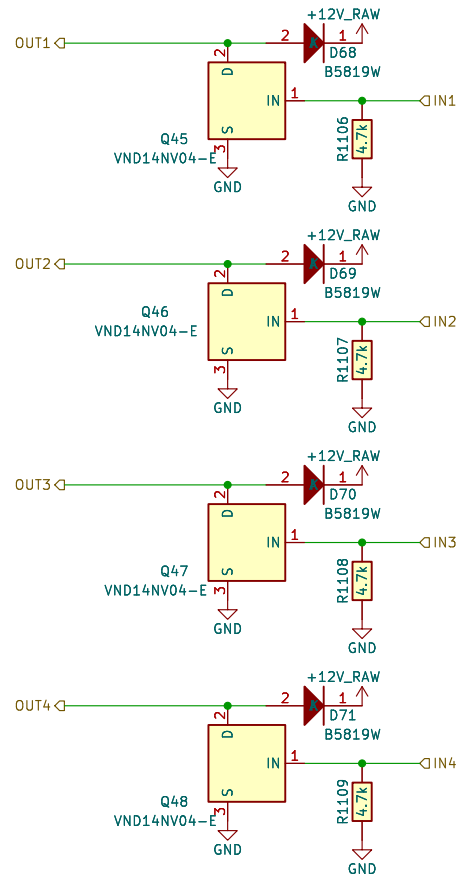
**Title:**

Size: A4 Date:  
 KiCad E.D.A. kicad-cli 7.0.11-7.0.11-ubuntu22.04.1

**Rev:**  
 Id: 4/14



Sheet: /ETB/		
File: DC_MOTOR_0.1.kicad_sch		
<b>Title: Hellen-One DC motor driver</b>		
Size: A4	Date: 2023-09-04	Rev: 0.1
KiCad E.D.A. kicad-cli 7.0.11-7.0.11-ubuntu22.04.1	Id: 5/14	

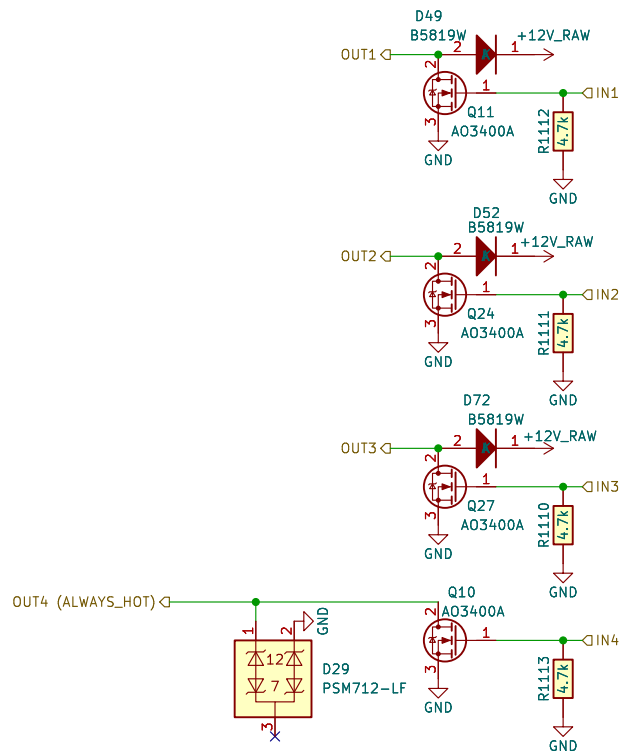


Sheet: /LS2/  
 File: LS4.kicad\_sch

**Title:**

Size: A4      Date:  
 KiCad E.D.A.    kicad-cli 7.0.11-7.0.11-ubuntu22.04.1

**Rev:**  
 Id: 6/14

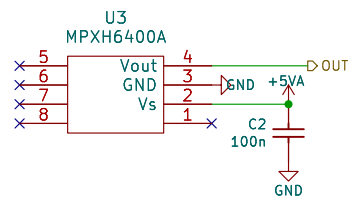


Sheet: /LS\_weak/  
 File: LS\_weak.kicad\_sch

**Title:**

Size: A4 Date:  
 KiCad E.D.A. kicad-cli 7.0.11-7.0.11-ubuntu22.04.1

**Rev:**  
 Id: 7/14



Sheet: /MAP/  
File: MAP.kicad\_sch

**Title:**

Size: A4

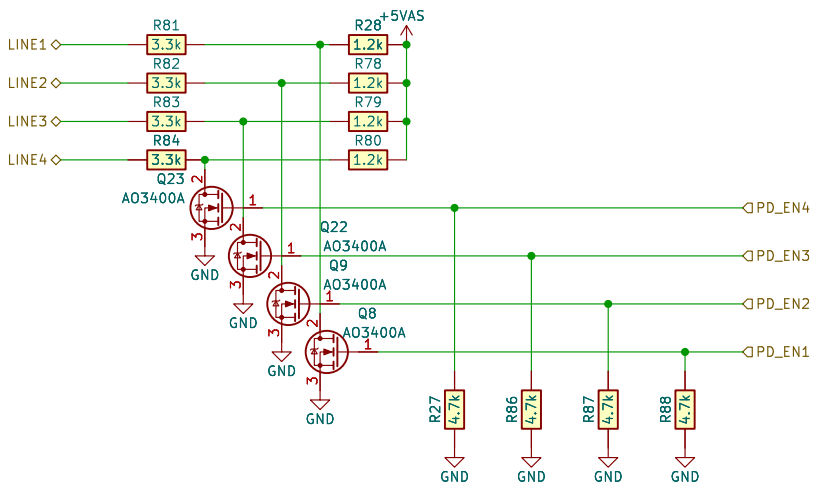
Date:

KiCad E.D.A. kicad-cli 7.0.11-7.0.11-ubuntu22.04.1

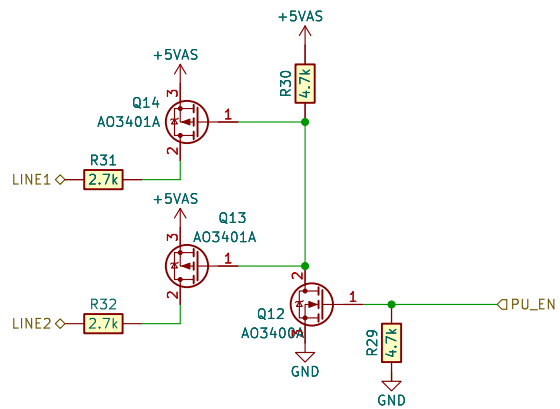
**Rev:**

Id: 8/14





Sheet: /OPT_PULLDOWNS1/		
File: PD4.kicad_sch		
<b>Title:</b>		
Size: A4	Date:	Rev:
KiCad E.D.A. kicad-cli 7.0.11-7.0.11-ubuntu22.04.1		Id: 9/14



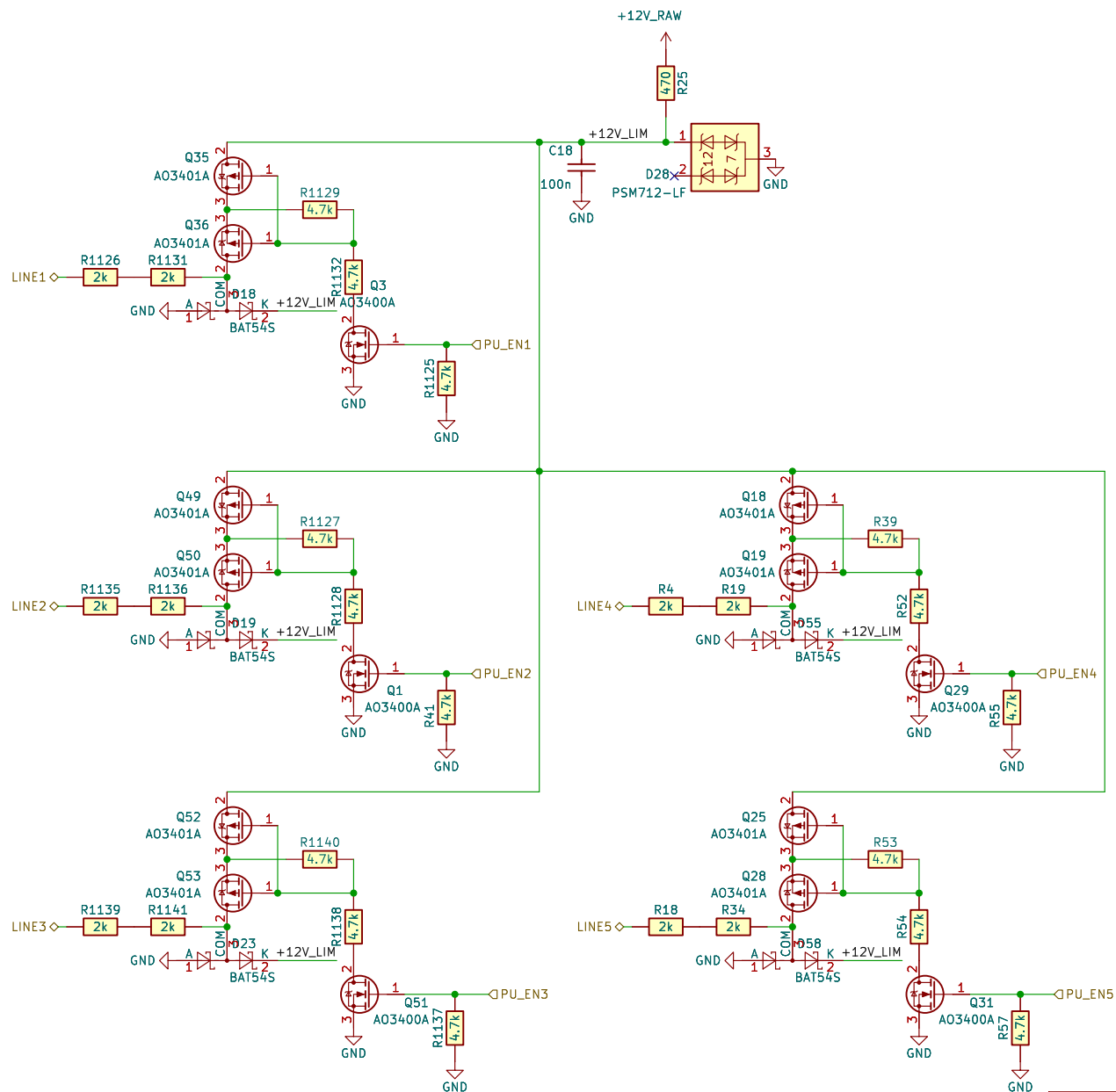
Sheet: /OPT\_PULLUPS/  
 File: DOUBLE\_PU.kicad\_sch

**Title:**

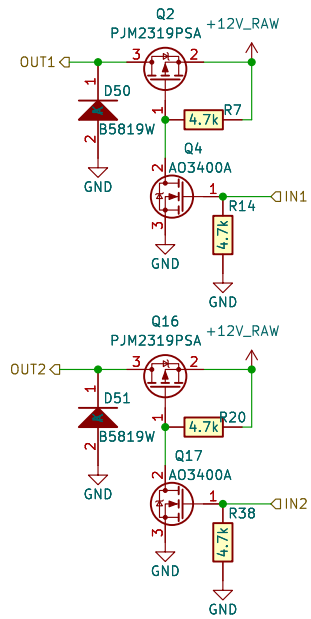
Size: A4 Date:  
 KiCad E.D.A. kicad-cli 7.0.11-7.0.11-ubuntu22.04.1

**Rev:**  
 Id: 11/14





Sheet: /HALL_OPT_PU/	
File: HALL_PU3.kicad_sch	
<b>Title:</b>	
Size: A4	Date:
KiCad E.D.A. kicad-cli 7.0.11-7.0.11-ubuntu22.04.1	Rev: Id: 13/14

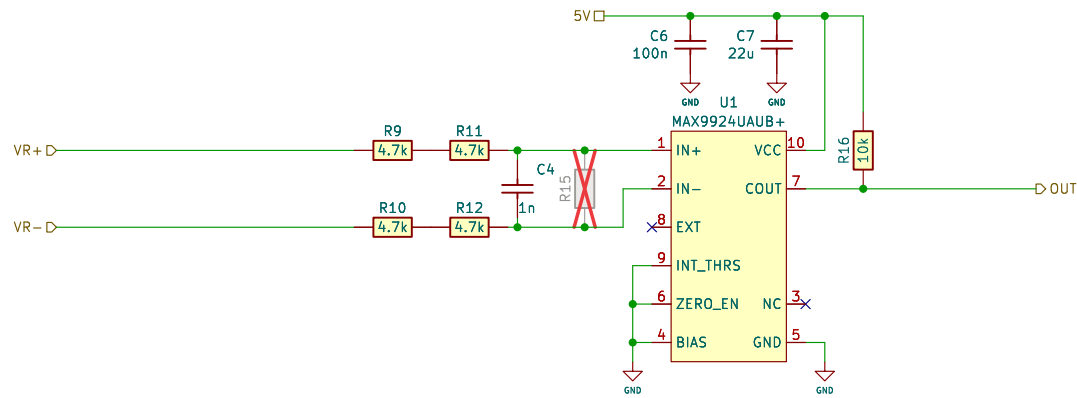


Sheet: /HS/  
 File: HS2.kicad\_sch

**Title:**

Size: A4 Date: KiCad E.D.A. kicad-cli 7.0.11-7.0.11-ubuntu22.04.1

Rev: Id: 14/14

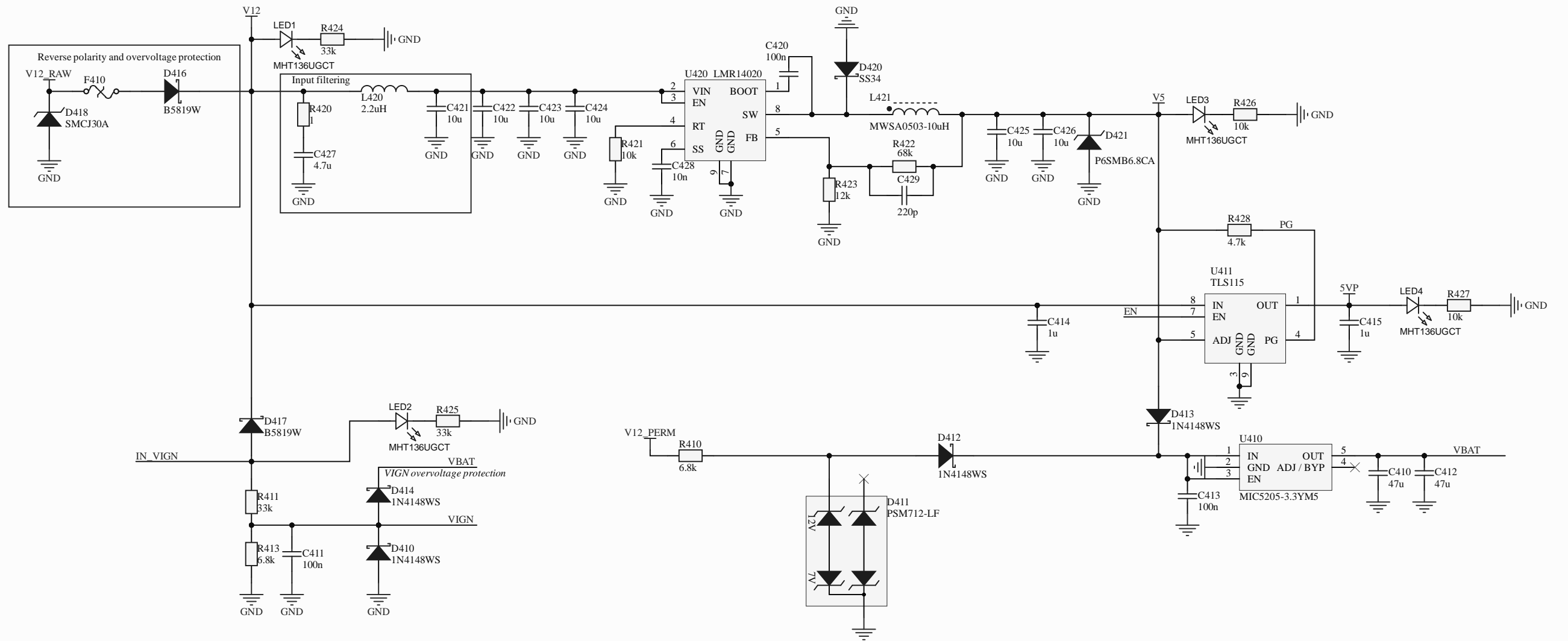
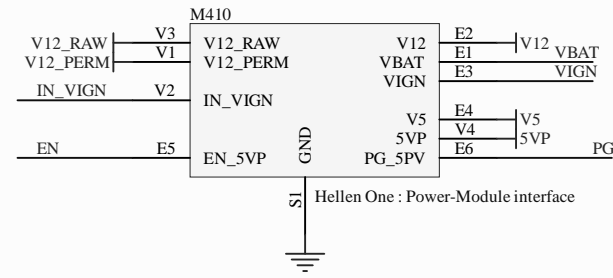


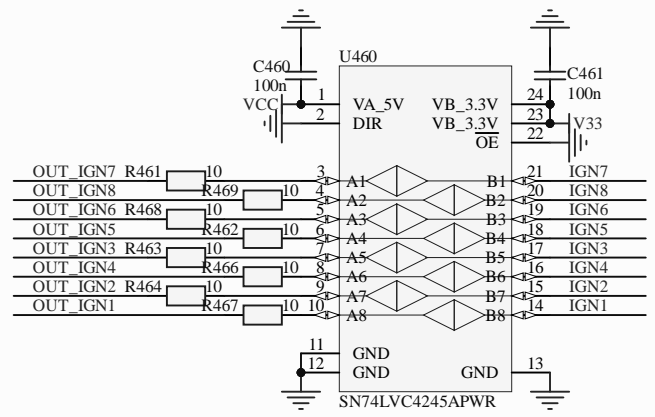
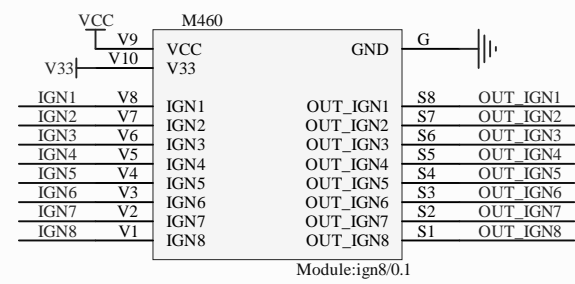
Sheet: /vr9924/  
 File: vr9924.kicad\_sch

**Title:**

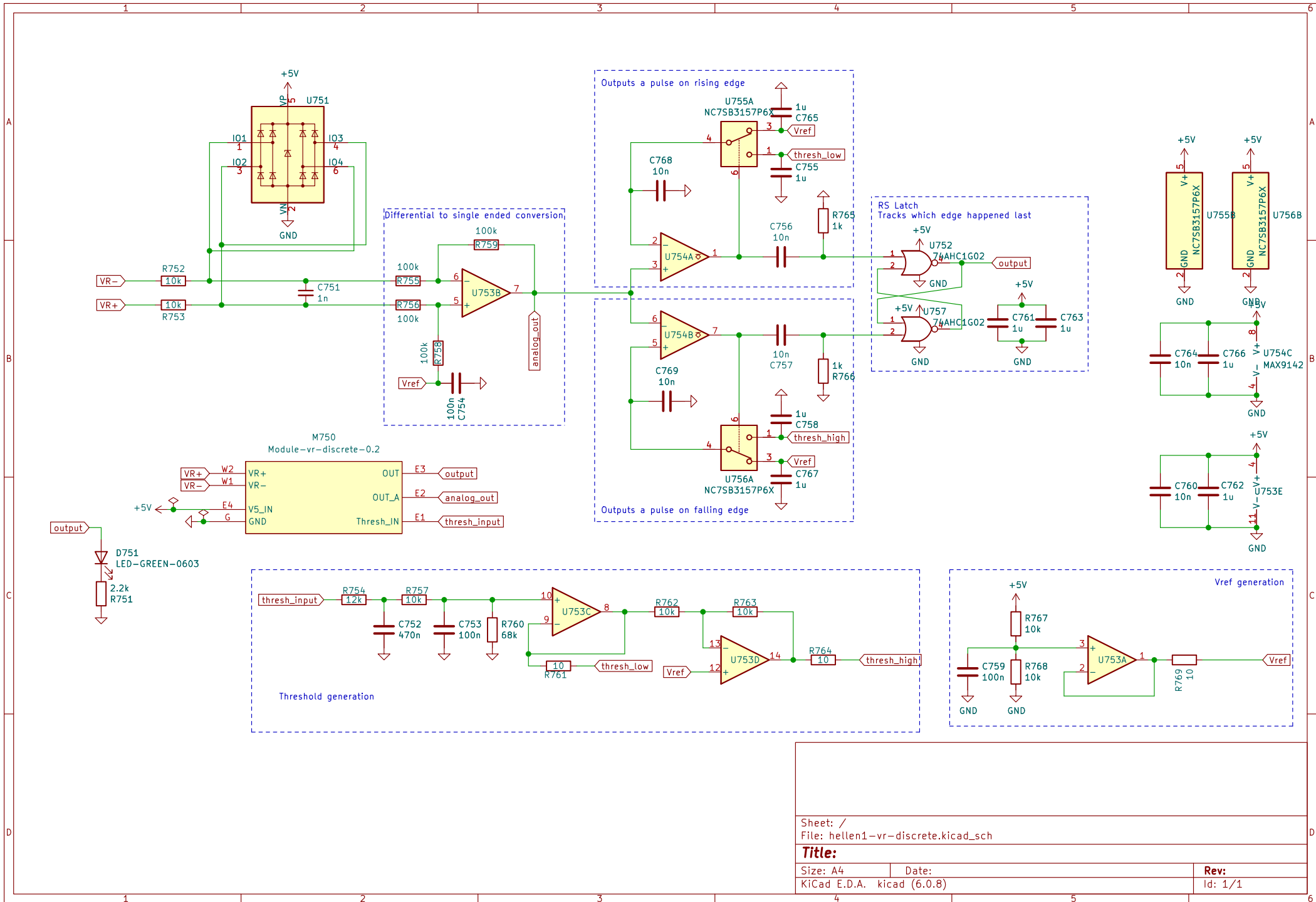
Size: A4 Date:  
 KiCad E.D.A. kicad-cli 7.0.11-7.0.11-ubuntu22.04.1

**Rev:**  
 Id: 15/14



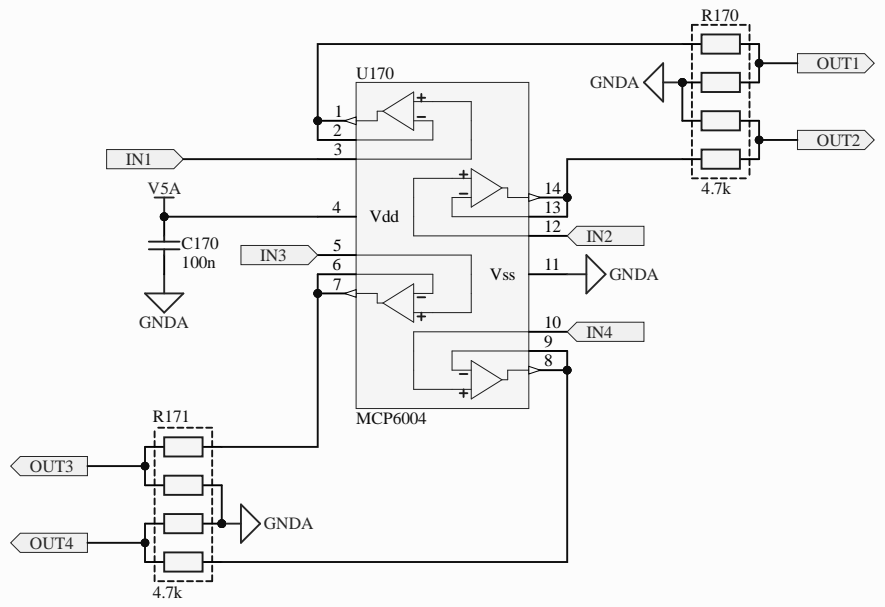


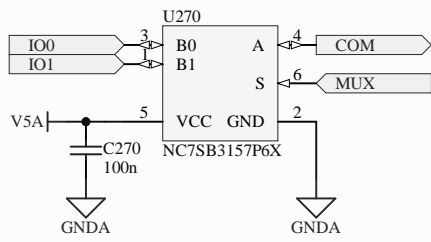


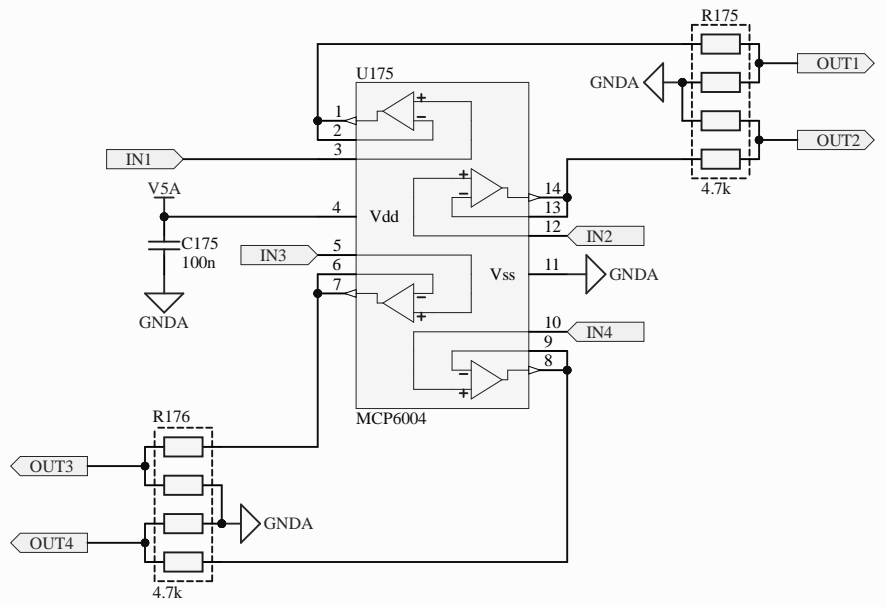


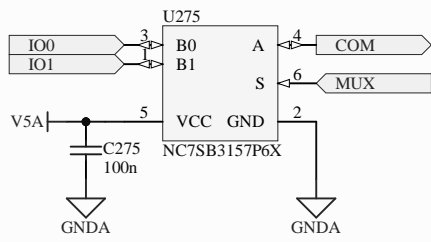
Sheet: /  
 File: hellen1-vr-discrete.kicad\_sch

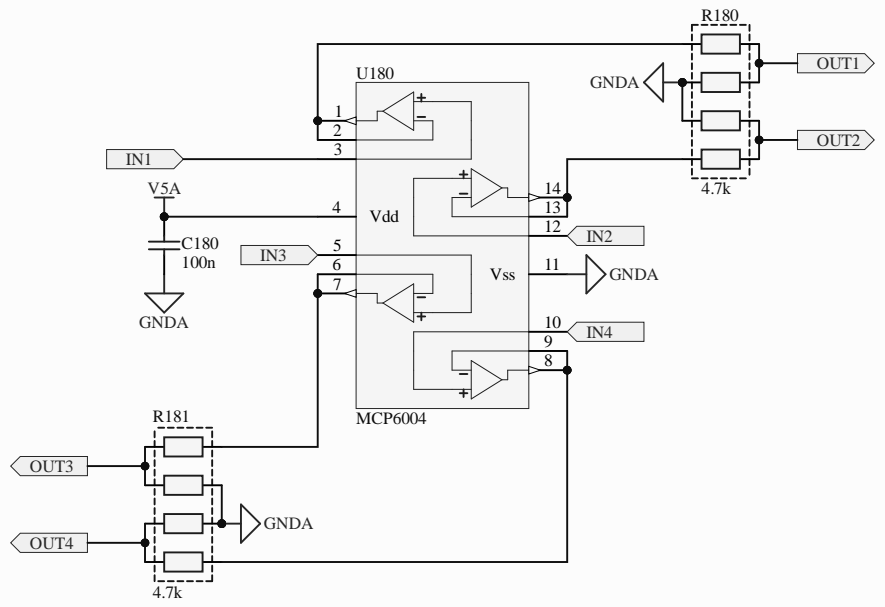
<b>Title:</b>	
Size: A4	Date:
KiCad E.D.A. kicad (6.0.8)	Rev: 1/1

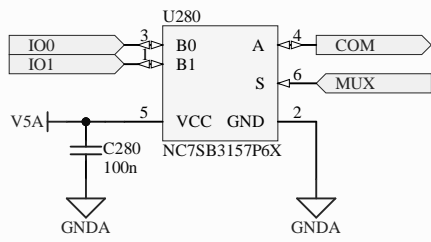


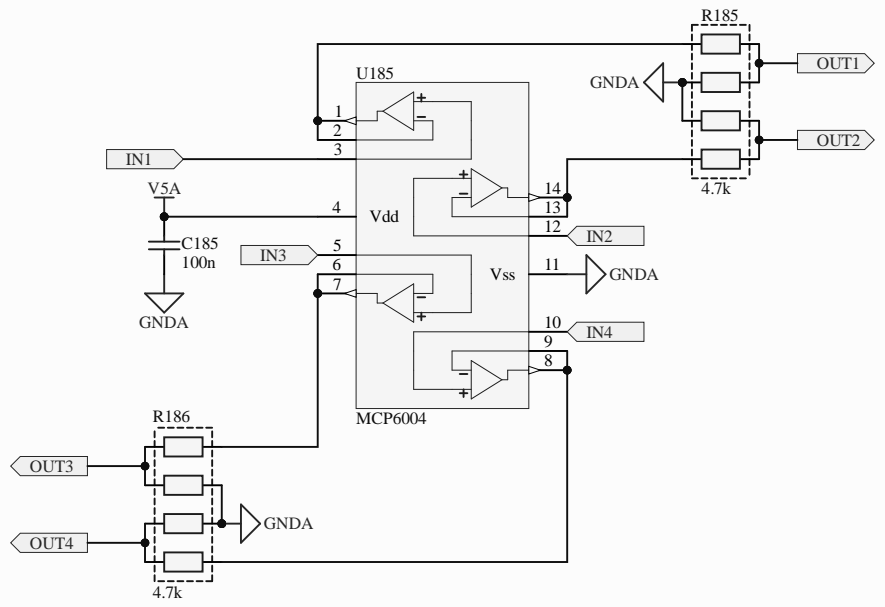




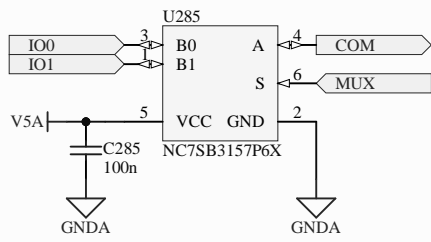


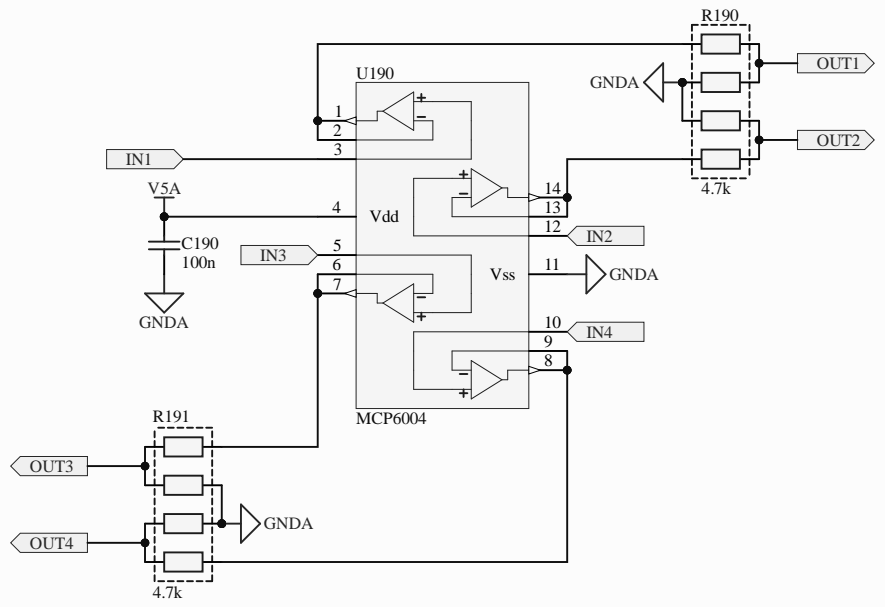


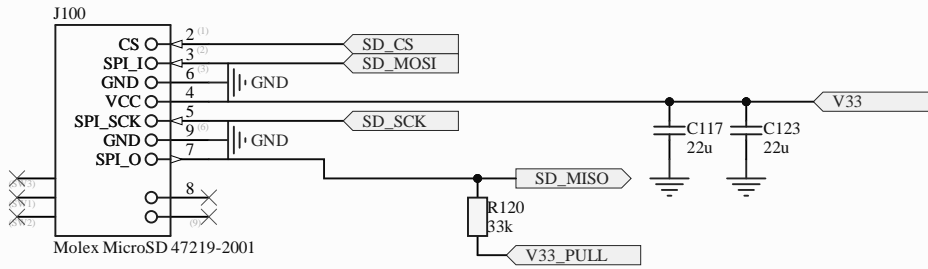


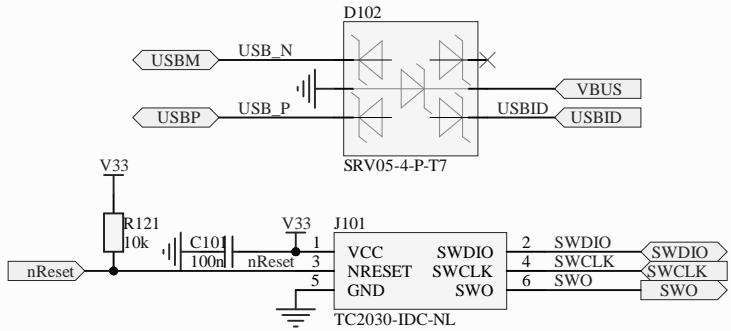
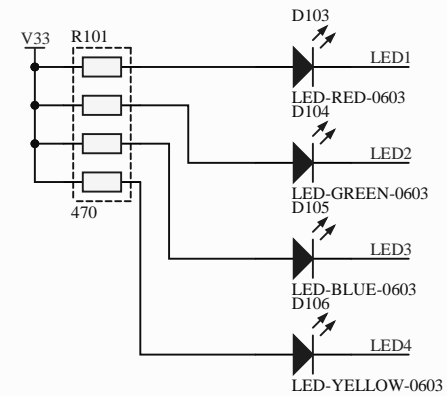
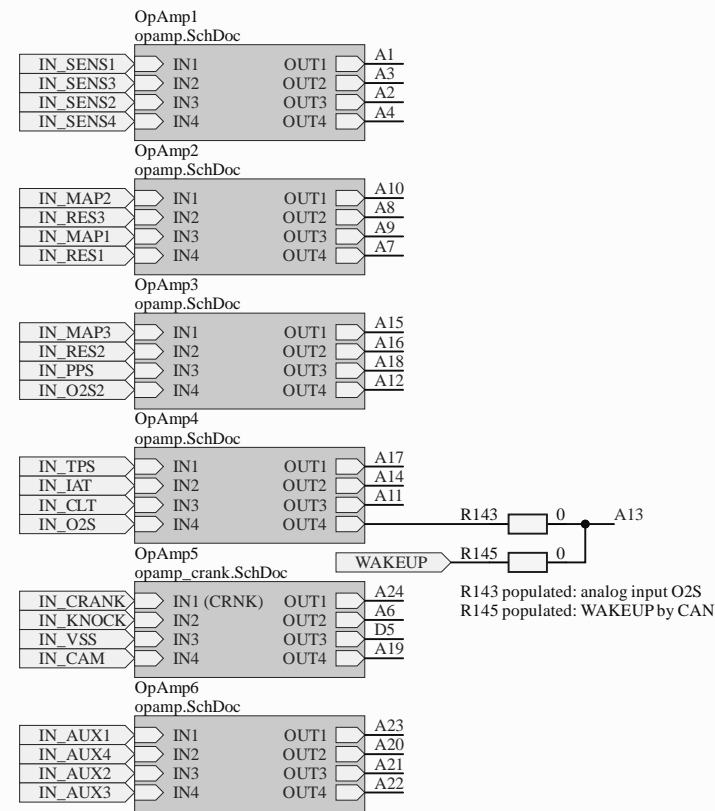
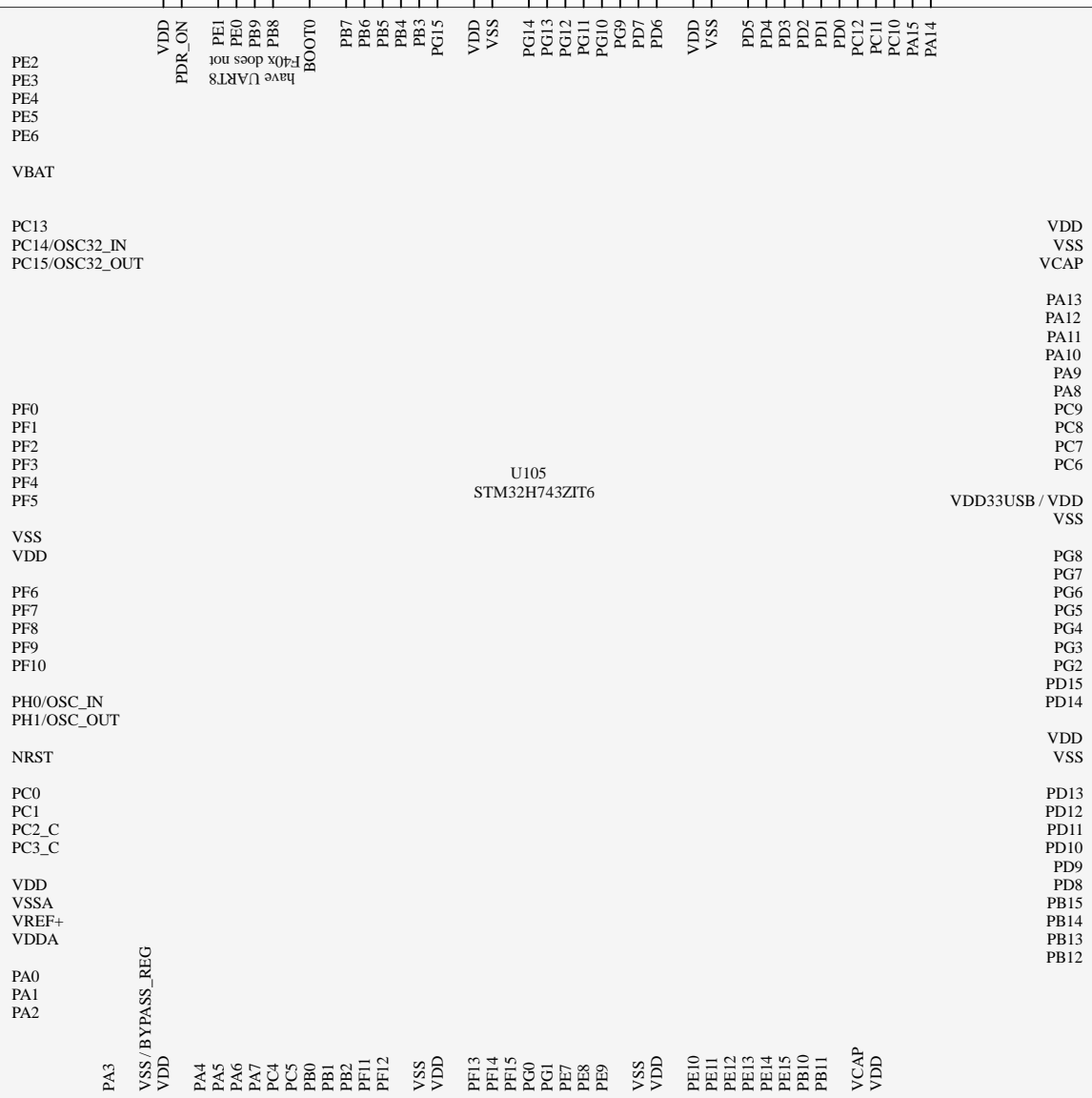
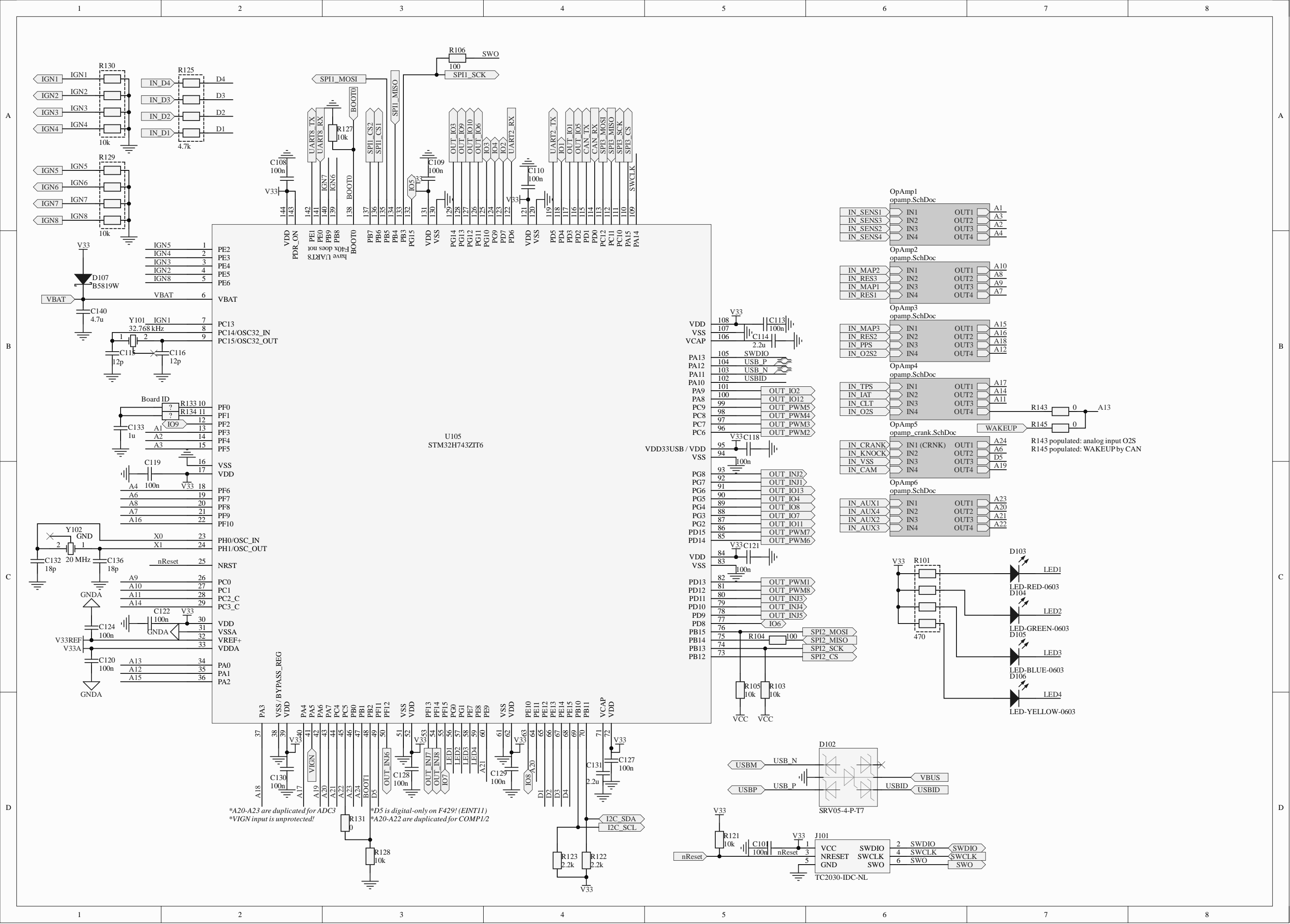




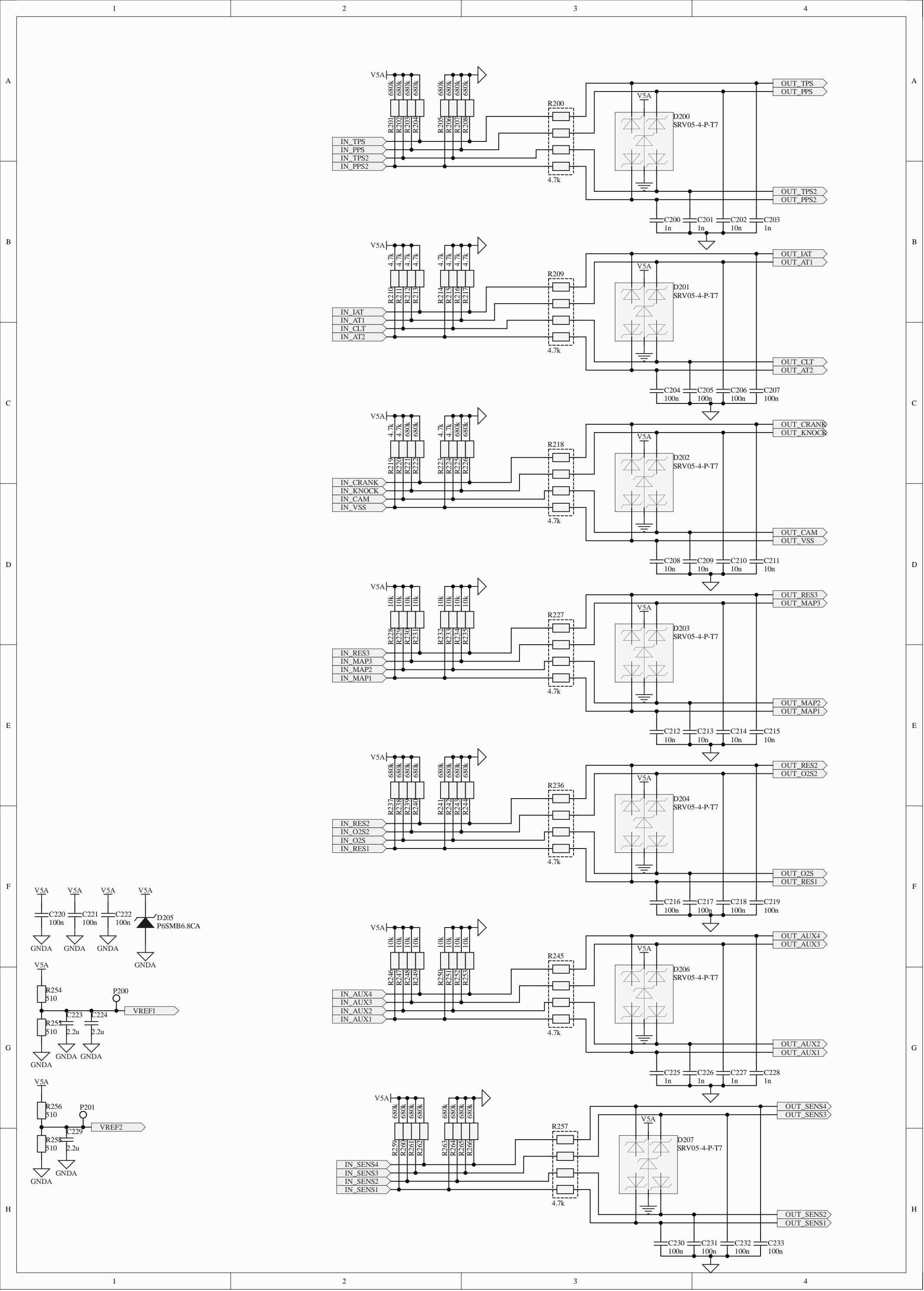


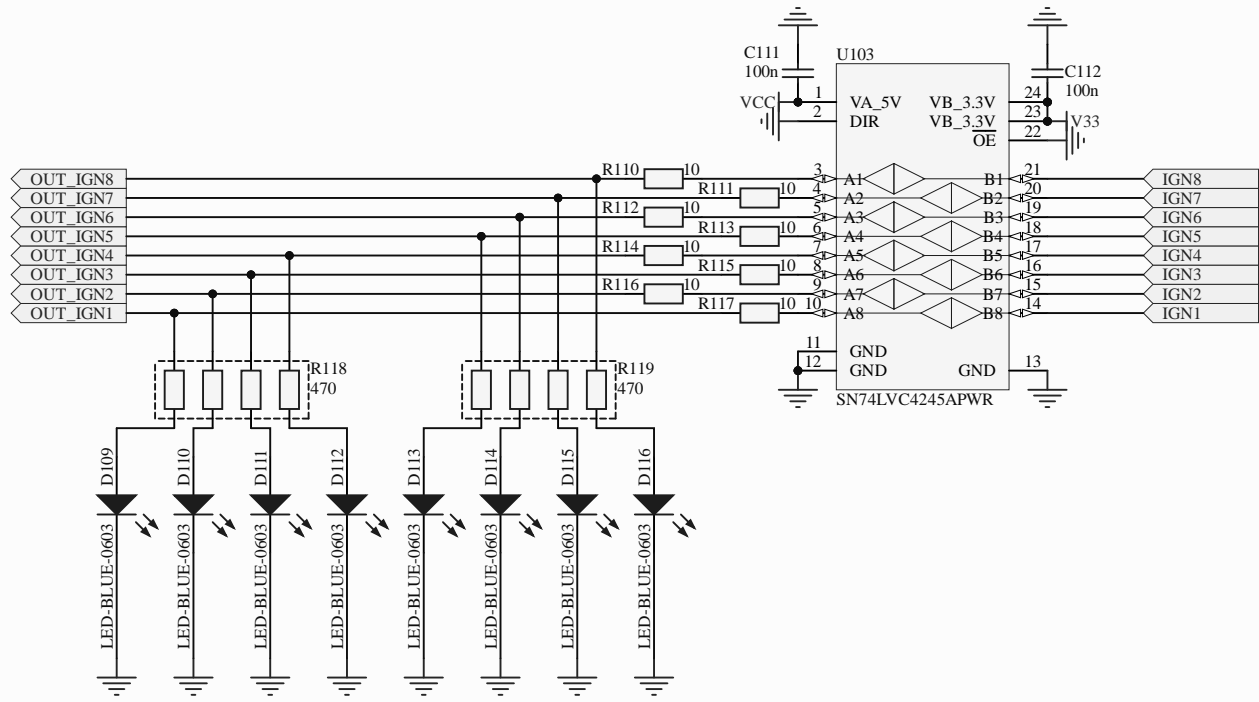


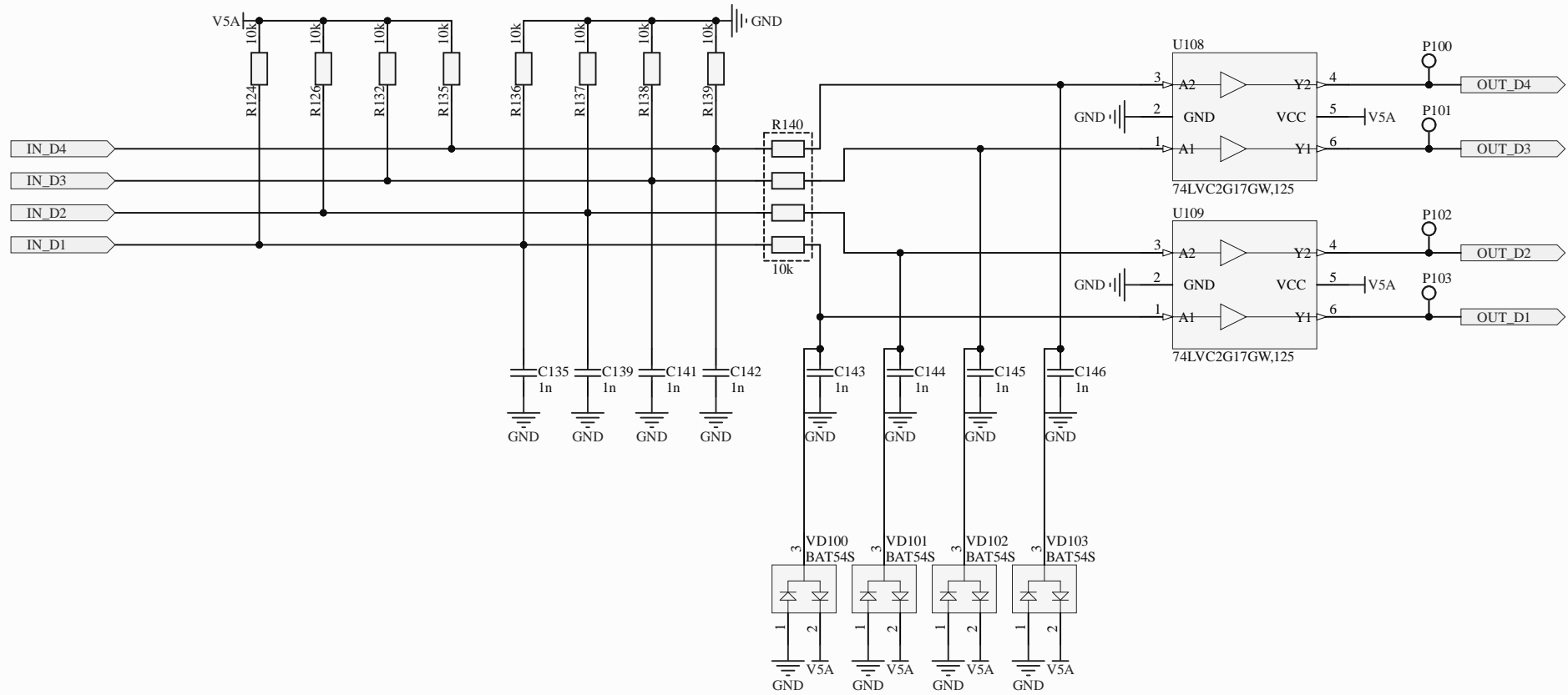


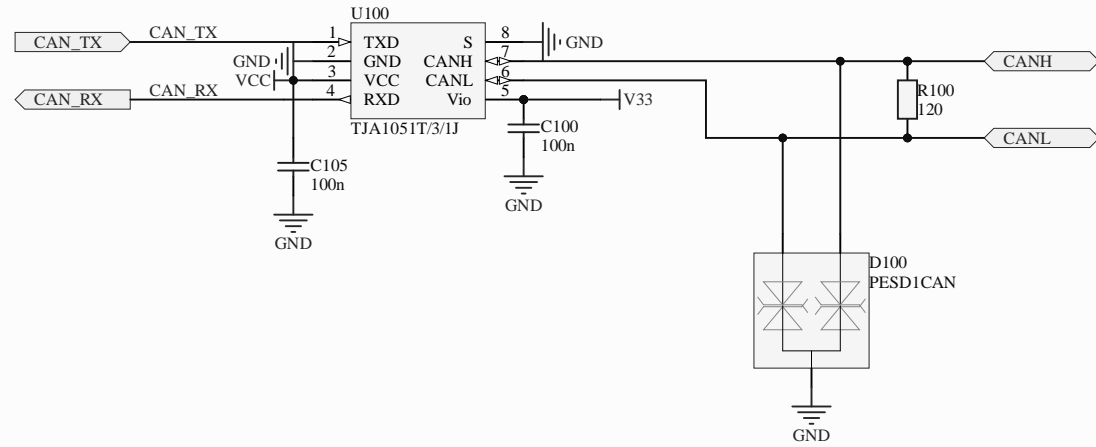


\*A20-A23 are duplicated for ADC3  
\*VIGN input is unprotected!  
\*D5 is digital-only on F429! (EINT11)  
\*A20-A22 are duplicated for COMP1/2





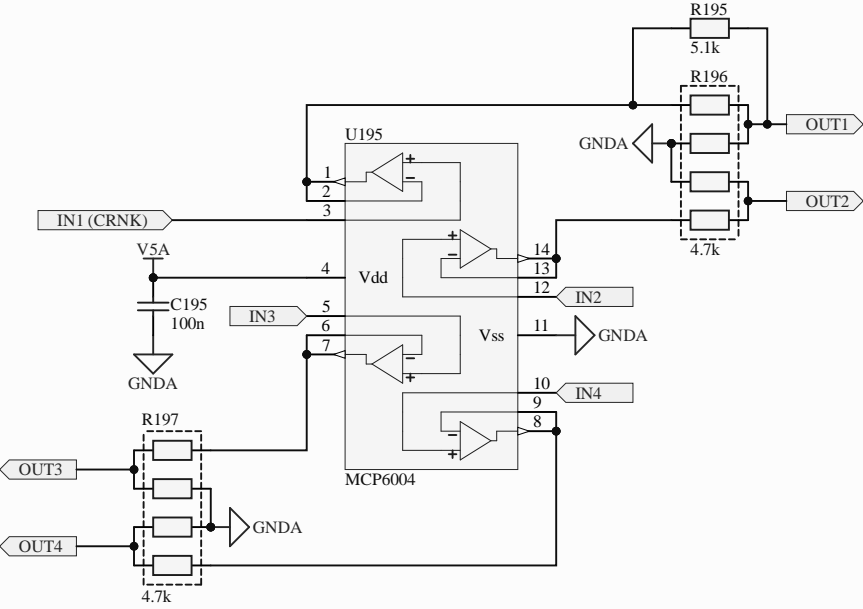


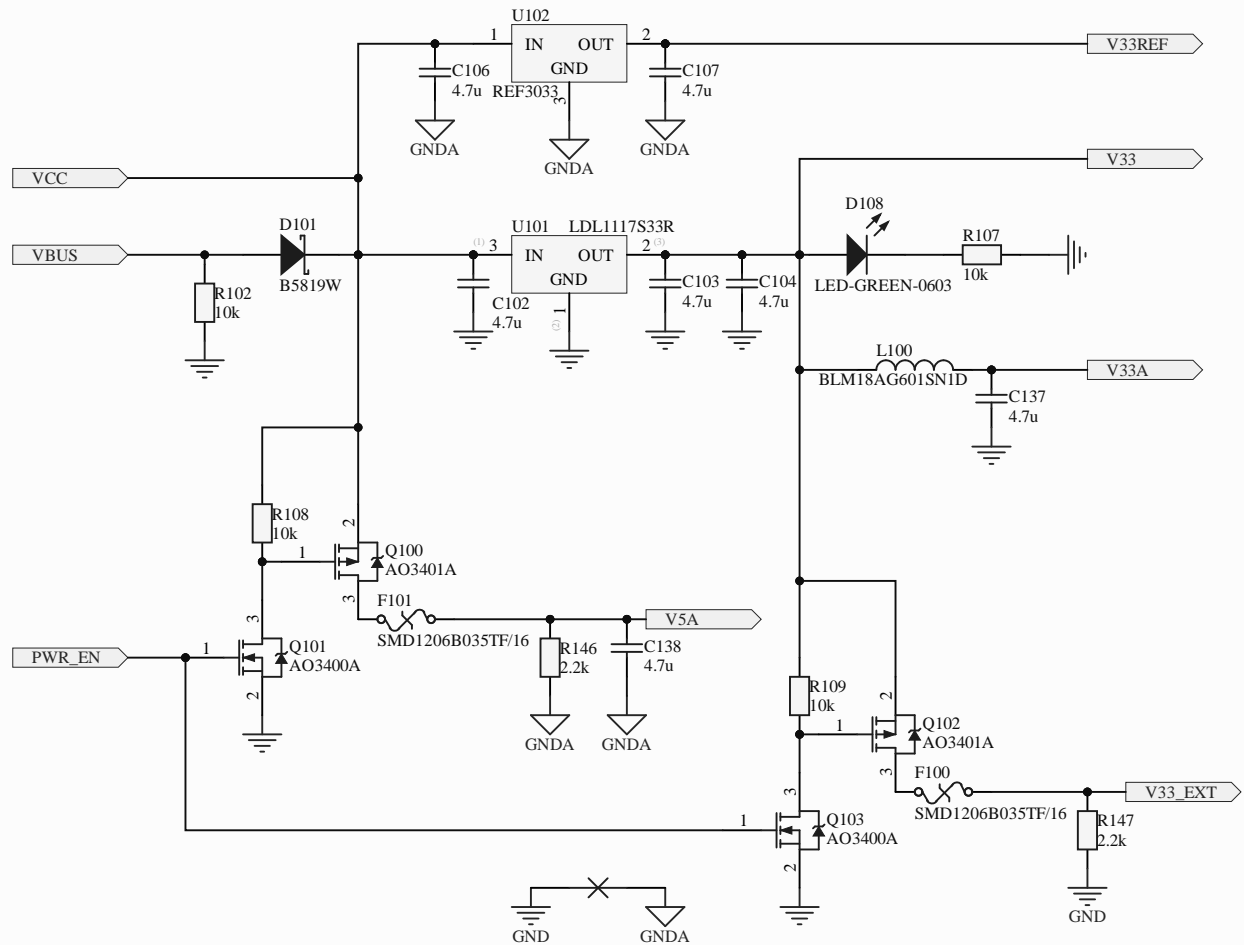






More accurate threshold for "raw" connection of VR sensors





Title		
Size	Number	Revision
A4		
Date:	11.26.2023	Sheet of
File:	C:\github\...\power.SchDoc	Drawn By:

