

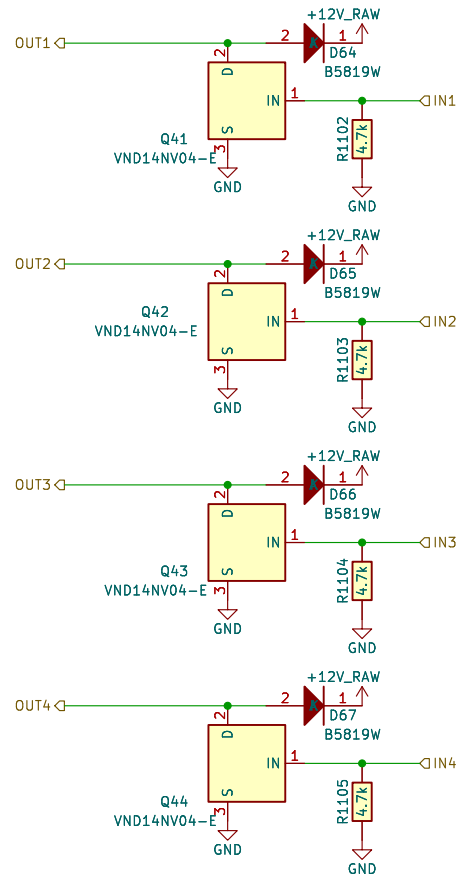
Sheet: /INJ/
 File: INJ4.kicad_sch

Title:

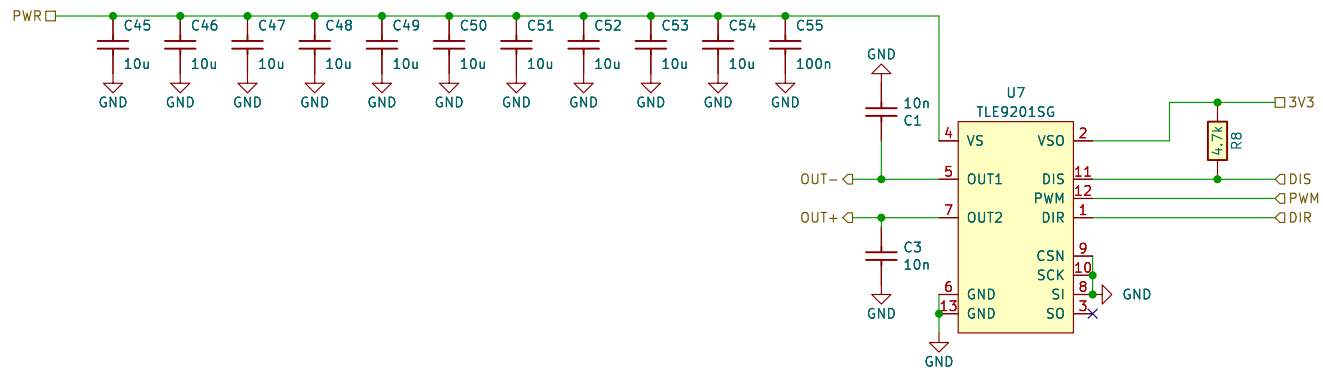
Size: A4
 KiCad E.D.A. kicad-cli 7.0.9-7.0.9-ubuntu22.04.1

Date:

Rev:
 Id: 3/14



Sheet: /LS1/		
File: LS4.kicad_sch		
Title:		
Size: A4	Date:	Rev:
KiCad E.D.A. kicad-cli 7.0.9-7.0.9-ubuntu22.04.1		Id: 4/14



Sheet: /ETB/

File: DC_MOTOR_0.1.kicad_sch

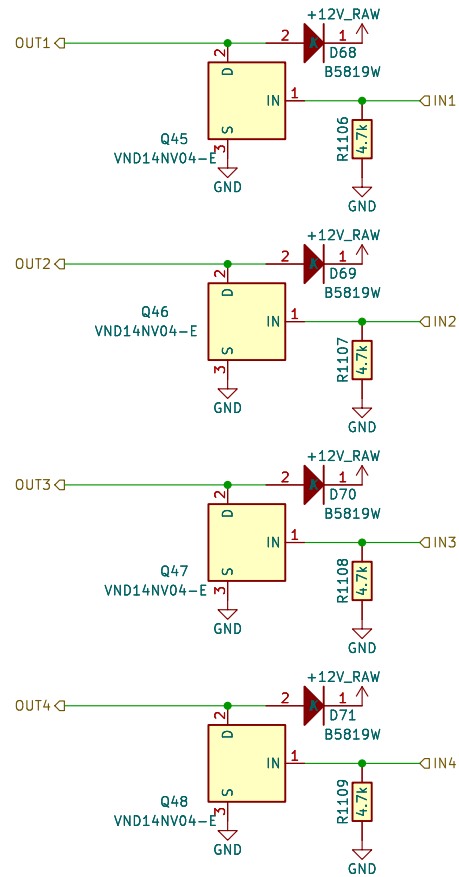
Title: Hellen-One DC motor driver

Size: A4 Date: 2023-09-04

Rev: 0.1

KiCad E.D.A. kicad-cli 7.0.9-7.0.9-ubuntu22.04.1

Id: 5/14

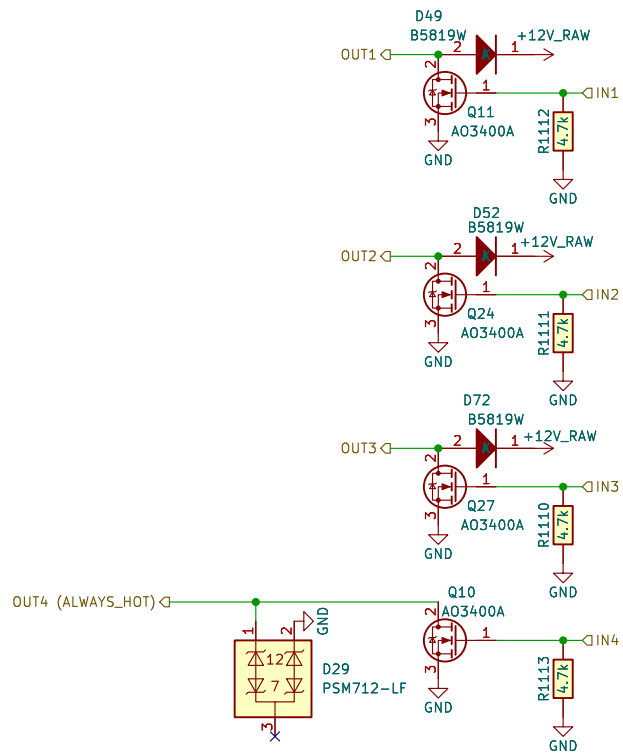


Sheet: /LS2/
 File: LS4.kicad_sch

Title:

Size: A4 Date:
 KiCad E.D.A. kicad-cli 7.0.9-7.0.9-ubuntu22.04.1

Rev:
 Id: 6/14

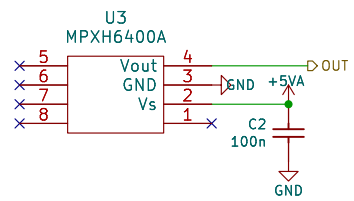


Sheet: /LS_weak/
 File: LS_weak.kicad_sch

Title:

Size: A4 Date:
 KiCad E.D.A. kicad-cli 7.0.9-7.0.9-ubuntu22.04.1

Rev:
 Id: 7/14

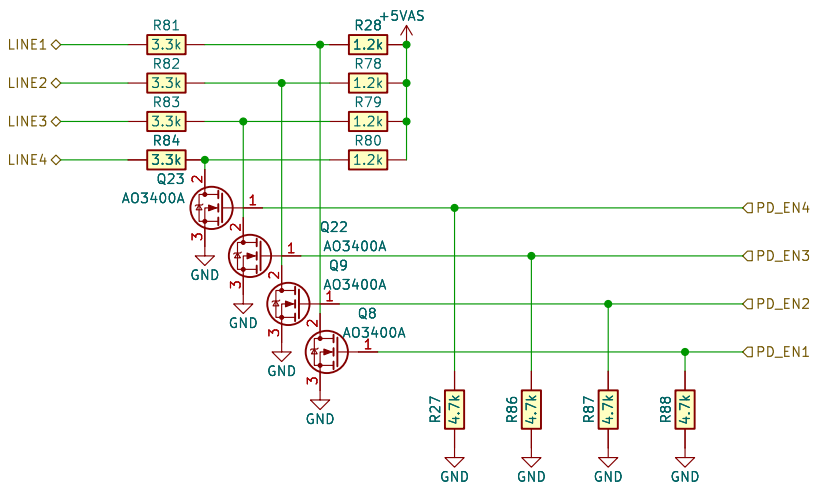


Sheet: /MAP/
File: MAP.kicad_sch

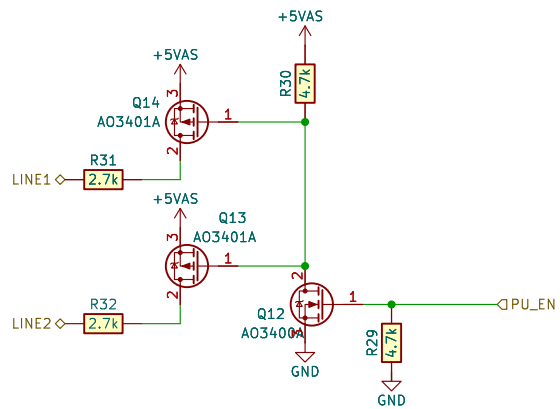
Title:

Size: A4 Date: KiCad E.D.A. kicad-cli 7.0.9-7.0.9-ubuntu22.04.1

Rev: Id: 8/14



Sheet: /OPT_PULLDOWNS1/		
File: PD4.kicad_sch		
Title:		
Size: A4	Date:	Rev:
KiCad E.D.A. kicad-cli 7.0.9-7.0.9-ubuntu22.04.1		Id: 9/14

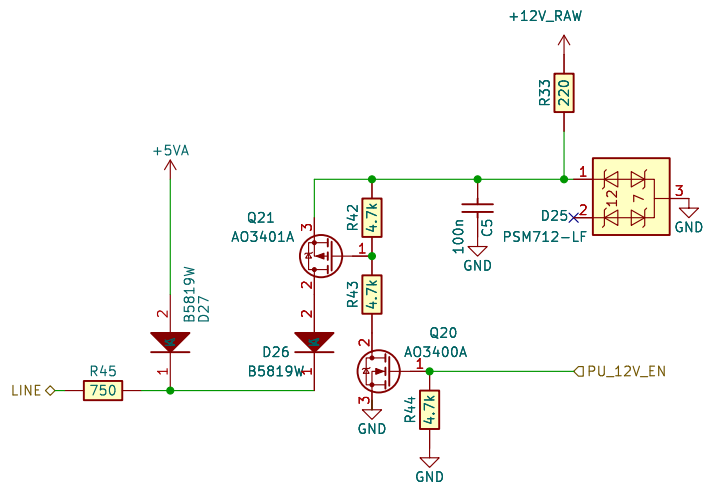


Sheet: /OPT_PULLUPS/
 File: DOUBLE_PU.kicad_sch

Title:

Size: A4 Date:
 KiCad E.D.A. kicad-cli 7.0.9-7.0.9-ubuntu22.04.1

Rev:
 Id: 11/14



Sheet: /TACH_PULLUP/
 File: TACH_PU.kicad_sch

Title:

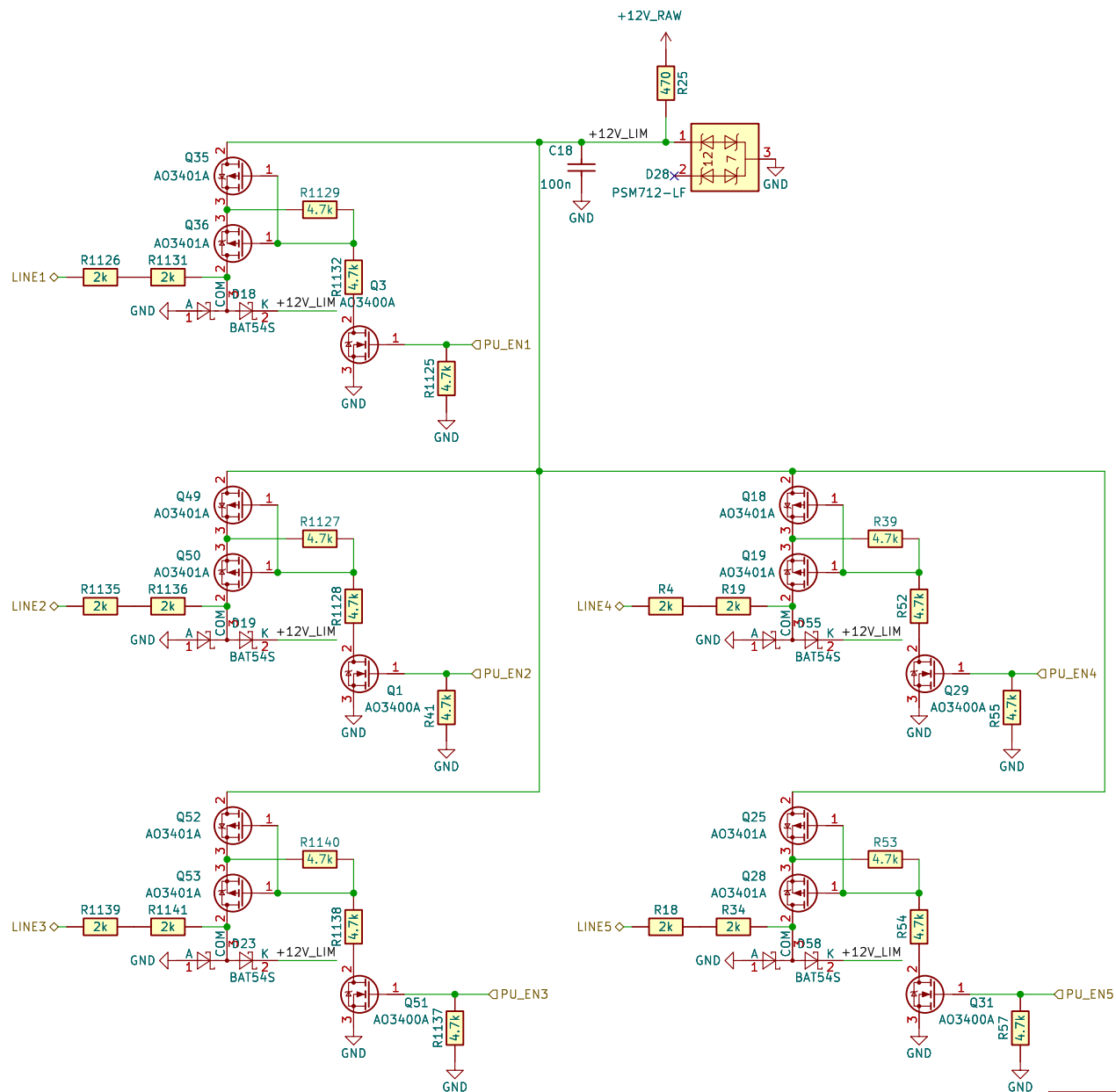
Size: A4

Date:

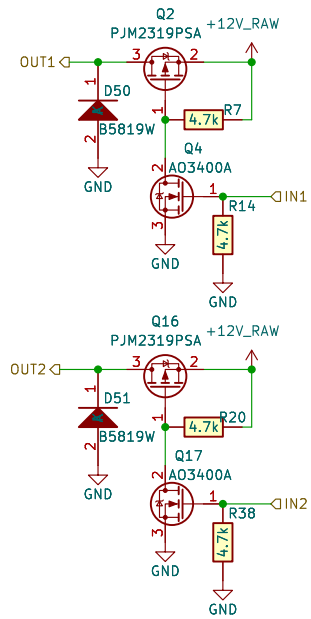
Rev:

KiCad E.D.A. kicad-cli 7.0.9-7.0.9-ubuntu22.04.1

Id: 12/14



Sheet: /HALL_OPT_PU/	
File: HALL_PU3.kicad_sch	
Title:	
Size: A4	Date:
KiCad E.D.A. kicad-cli 7.0.9-7.0.9-ubuntu22.04.1	Rev: Id: 13/14

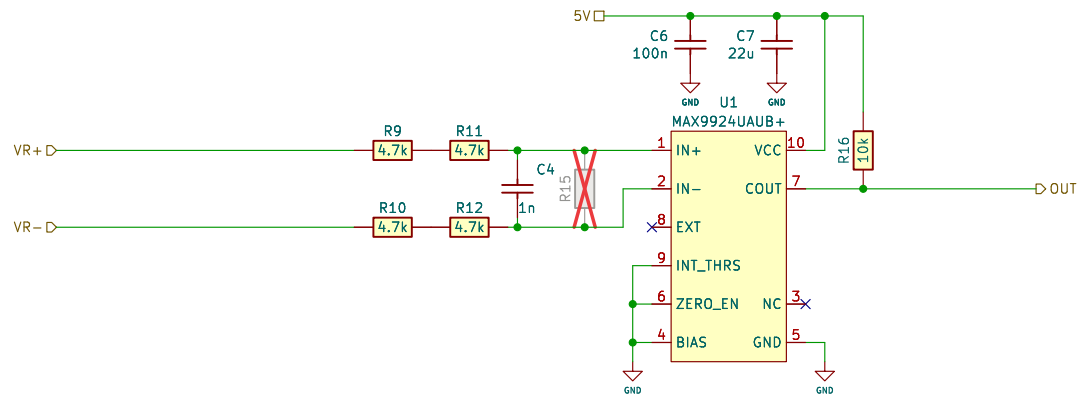


Sheet: /HS/
 File: HS2.kicad_sch

Title:

Size: A4 Date:
 KiCad E.D.A. kicad-cli 7.0.9-7.0.9-ubuntu22.04.1

Rev:
 Id: 14/14



Sheet: /vr9924/
 File: vr9924.kicad_sch

Title:

Size: A4 Date:
 KiCad E.D.A. kicad-cli 7.0.9-7.0.9-ubuntu22.04.1

Rev:
 Id: 15/14