

Power

Configurable AUX pulls

| | | |
|------|-----|-----|
| AIN1 | R86 | GND |
| AIN2 | R87 | GND |
| AIN3 | R88 | GND |
| AIN4 | R89 | GND |

Internal MAP sensor

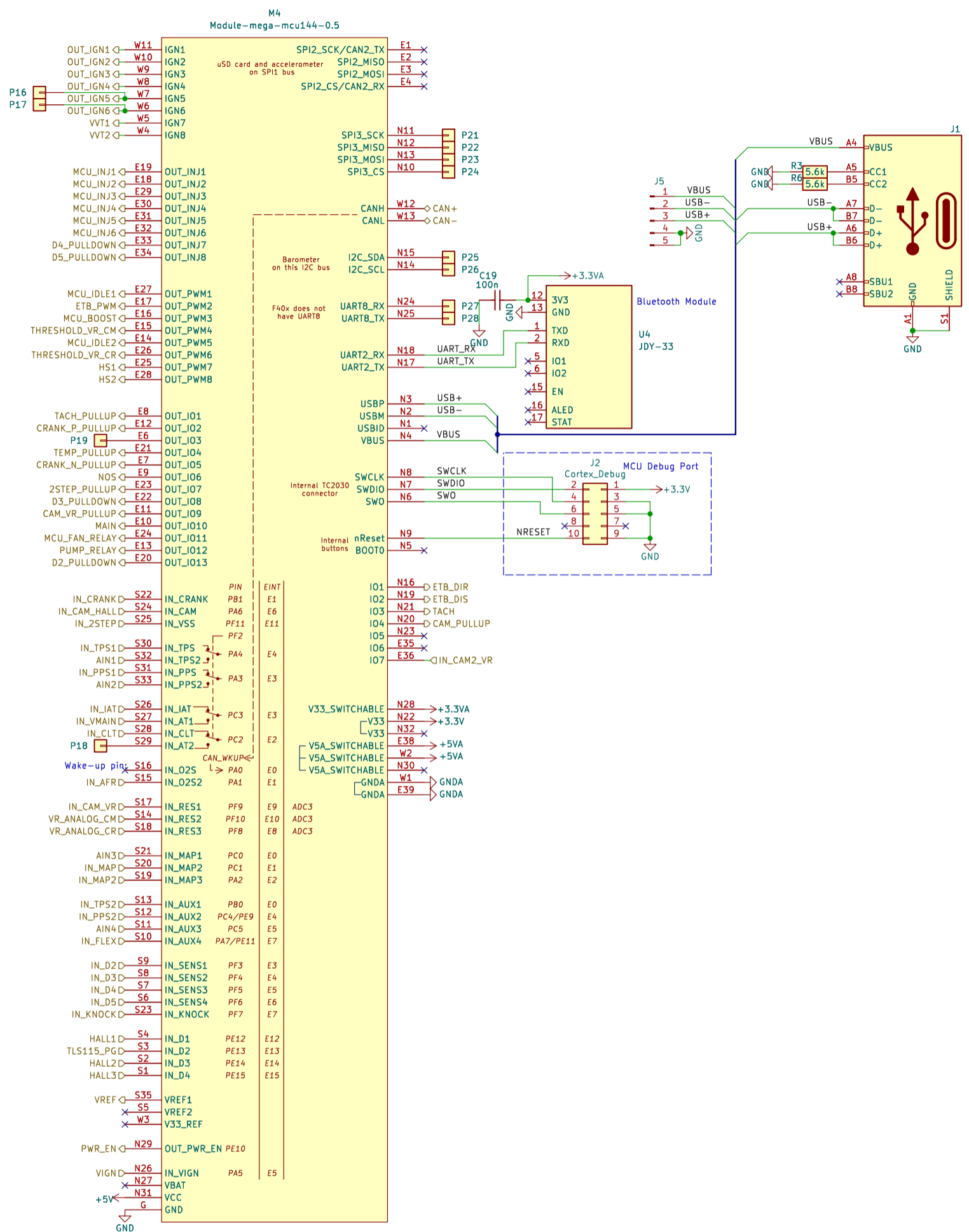
| | | |
|-----|------|---------|
| MAP | OUTD | IN_MAP2 |
|-----|------|---------|

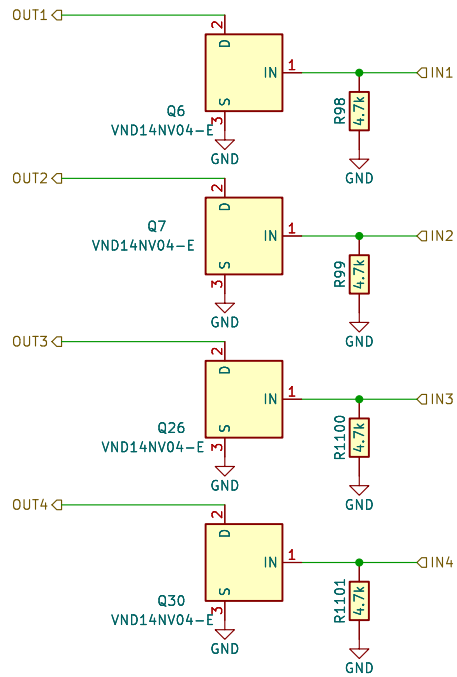
Board Info

FOR OFF ROAD PURPOSES ONLY
This is not for applications with emissions or safety regulations (AKA not for street use). This is for closed stages, track and equipment.
<http://www.alphaxpr.com/>

AlphaX
ALPHA ECU
Hellen-One-PCB-Logo

rusEFI
Sheet: /
File: alphax_4ch.kicad_sch
Title: AlphaECU 4chan powered by rusEFI
Size: A2 Date: 2023-12-08 Rev: i
KiCad E.D.A. kicad-ctrl 7.0.11-7.0.11-ubuntu22.04.1 Id: 1/14





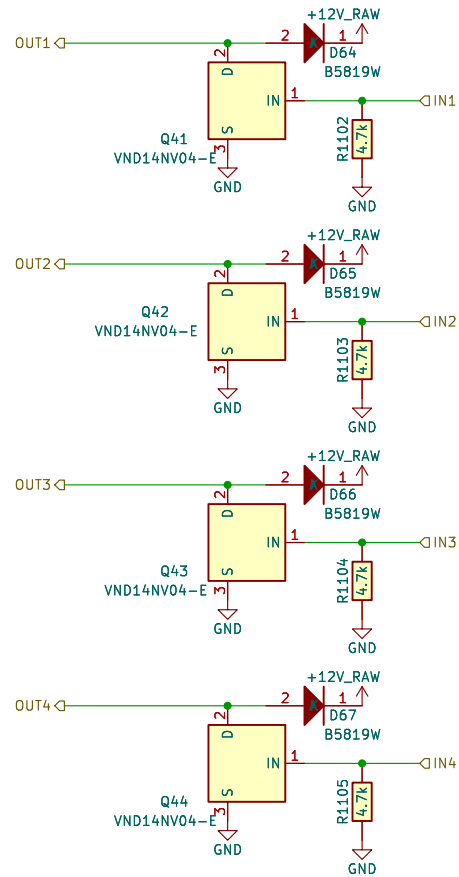
Sheet: /INJ/
 File: INJ4.kicad_sch

Title:

Size: A4
 KiCad E.D.A. kicad-cli 7.0.11-7.0.11-ubuntu22.04.1

Date:

Rev:
 Id: 3/14

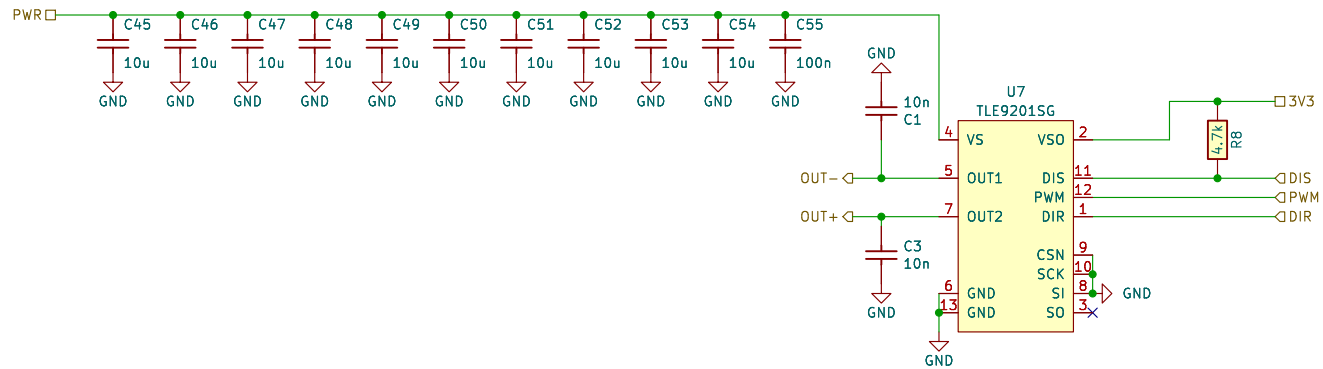


Sheet: /LS1/
 File: LS4.kicad_sch

Title:

Size: A4 Date:
 KiCad E.D.A. kicad-cli 7.0.11-7.0.11-ubuntu22.04.1

Rev:
 Id: 4/14



Sheet: /ETB/

File: DC_MOTOR_0.1.kicad_sch

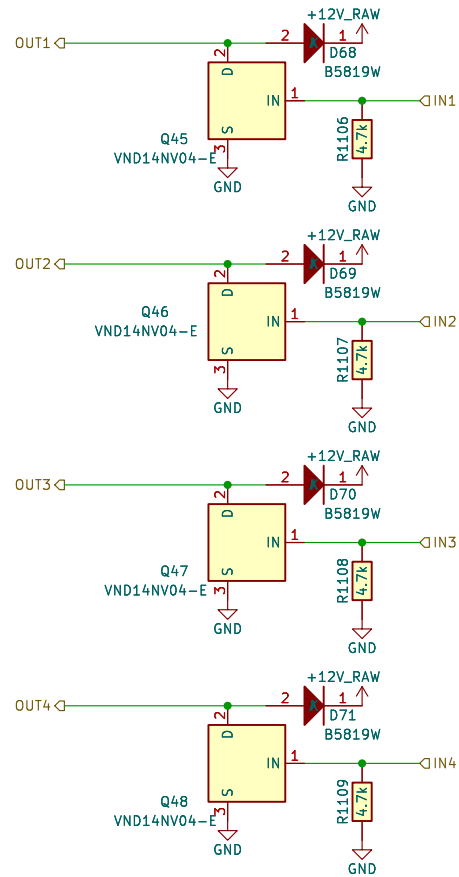
Title: Hellen-One DC motor driver

Size: A4 Date: 2023-09-04

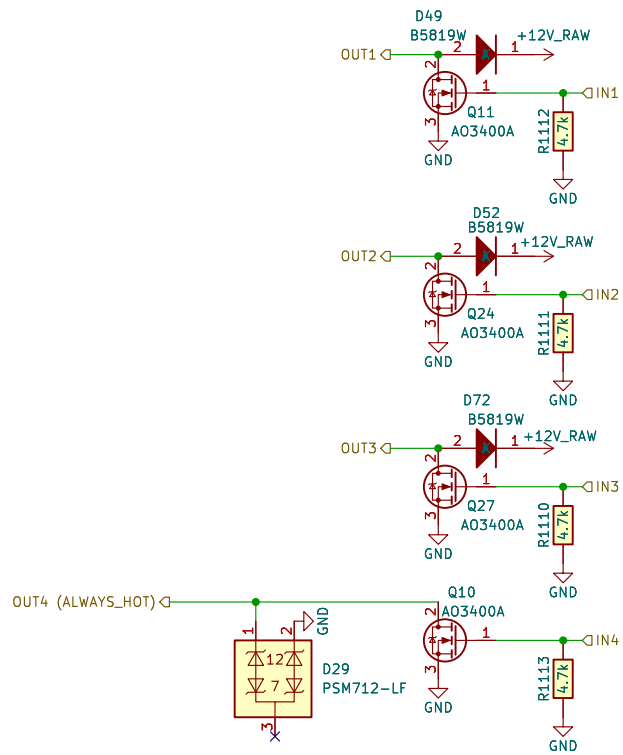
Rev: 0.1

KiCad E.D.A. kicad-cli 7.0.11-7.0.11-ubuntu22.04.1

Id: 5/14



| | | |
|--|-------|----------|
| Sheet: /LS2/ | | |
| File: LS4.kicad_sch | | |
| Title: | | |
| Size: A4 | Date: | Rev: |
| KiCad E.D.A. kicad-cli 7.0.11-7.0.11-ubuntu22.04.1 | | Id: 6/14 |

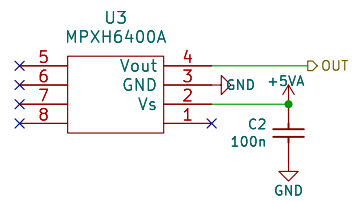


Sheet: /LS_weak/
 File: LS_weak.kicad_sch

Title:

Size: A4 Date:
 KiCad E.D.A. kicad-cli 7.0.11-7.0.11-ubuntu22.04.1

Rev:
 Id: 7/14



Sheet: /MAP/
File: MAP.kicad_sch

Title:

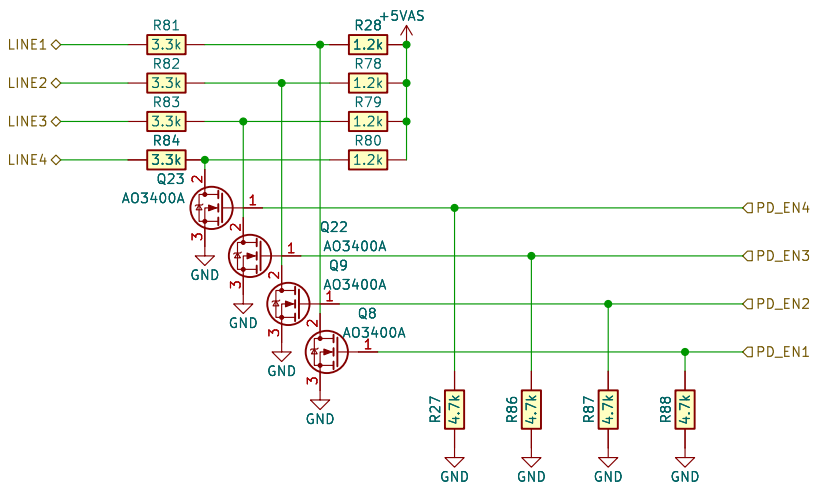
Size: A4

Date:

Rev:

KiCad E.D.A. kicad-cli 7.0.11-7.0.11-ubuntu22.04.1

Id: 8/14

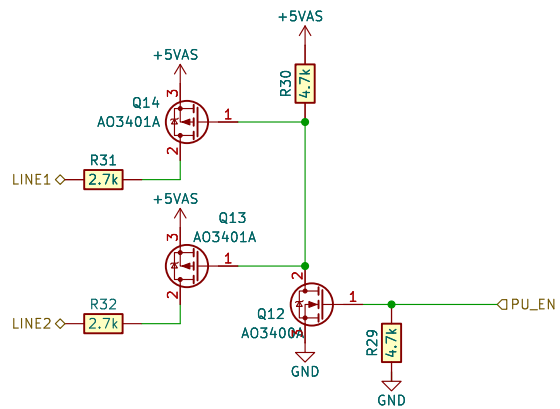


Sheet: /OPT_PULLDOWNS1/
 File: PD4.kicad_sch

Title:

Size: A4 Date:
 KiCad E.D.A. kicad-cli 7.0.11-7.0.11-ubuntu22.04.1

Rev:
 Id: 9/14

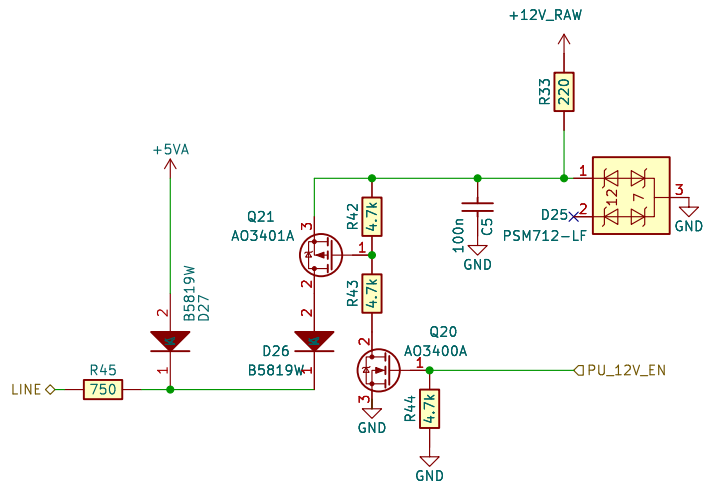


Sheet: /OPT_PULLUPS/
 File: DOUBLE_PU.kicad_sch

Title:

Size: A4 Date:
 KiCad E.D.A. kicad-cli 7.0.11-7.0.11-ubuntu22.04.1

Rev:
 Id: 11/14



Sheet: /TACH_PULLUP/
 File: TACH_PU.kicad_sch

Title:

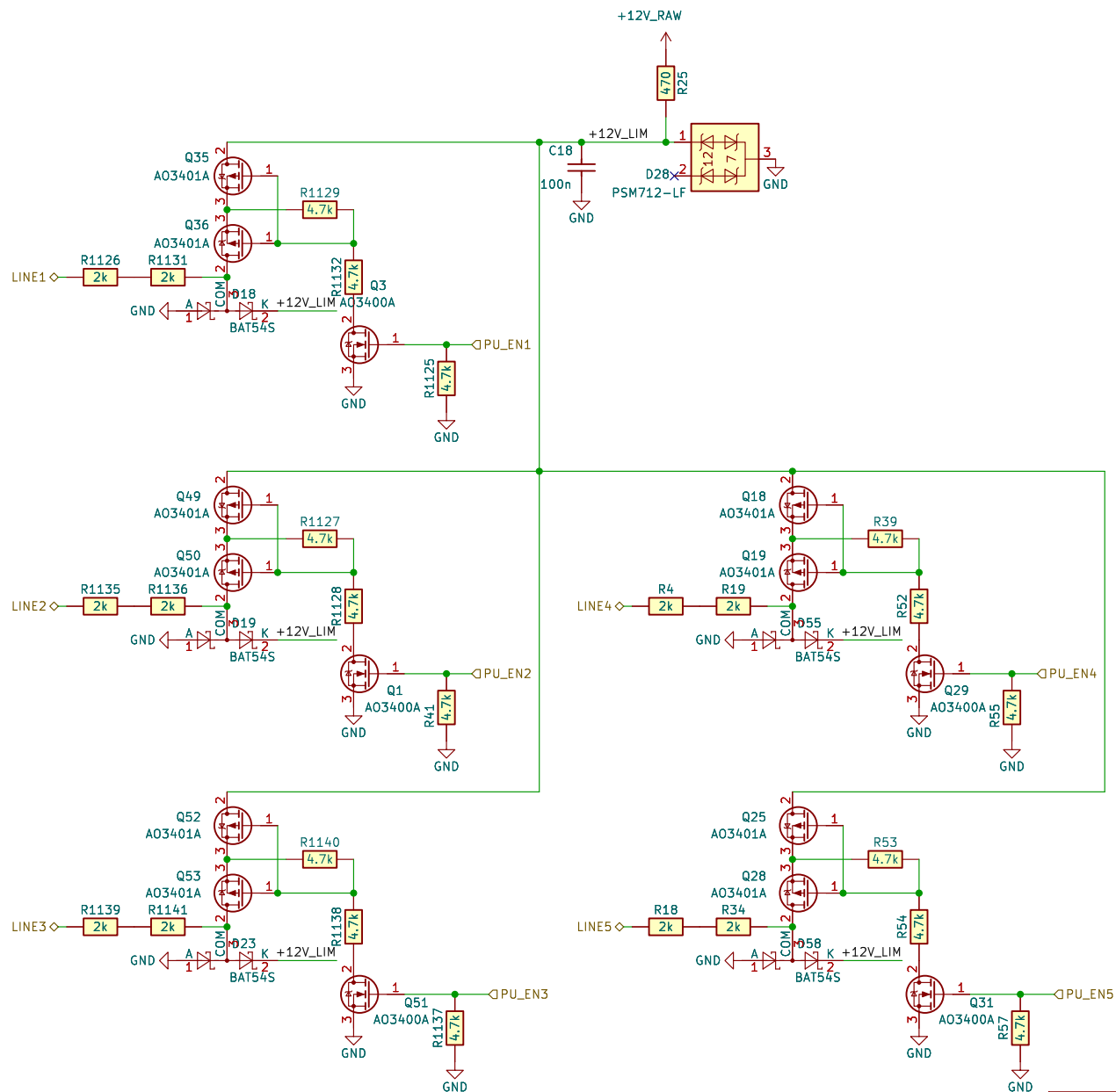
Size: A4

Date:

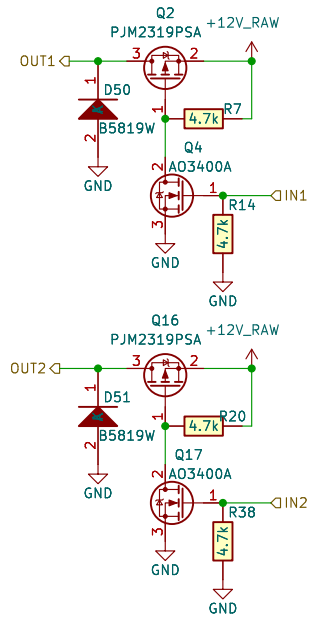
Rev:

KiCad E.D.A. kicad-cli 7.0.11-7.0.11-ubuntu22.04.1

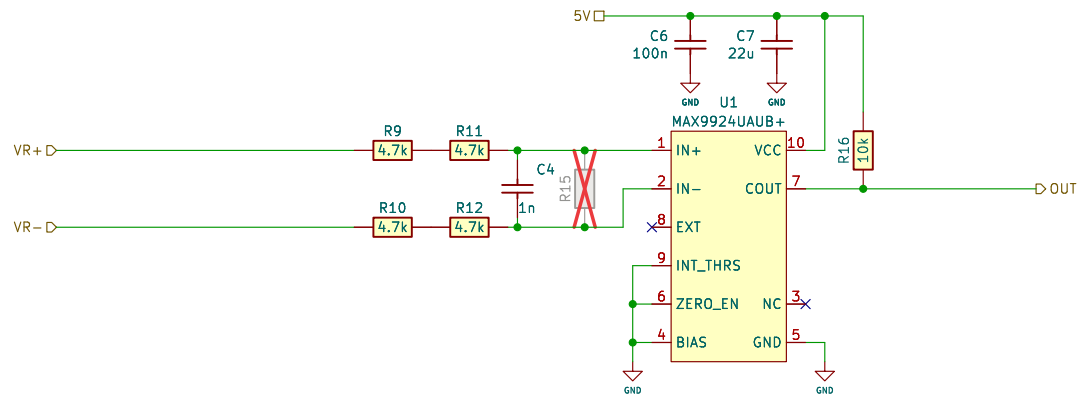
Id: 12/14



| | |
|--|-------|
| Sheet: /HALL_OPT_PU/ | |
| File: HALL_PU3.kicad_sch | |
| Title: | |
| Size: A4 | Date: |
| KiCad E.D.A. kicad-cli 7.0.11-7.0.11-ubuntu22.04.1 | |
| Rev: 13/14 | |



| | | |
|--|-------|-----------|
| Sheet: /HS/ | | |
| File: HS2.kicad_sch | | |
| Title: | | |
| Size: A4 | Date: | Rev: |
| KiCad E.D.A. kicad-cli 7.0.11-7.0.11-ubuntu22.04.1 | | Id: 14/14 |



Sheet: /vr9924/
 File: vr9924.kicad_sch

Title:

Size: A4 Date:
 KiCad E.D.A. kicad-cli 7.0.11-7.0.11-ubuntu22.04.1

Rev:
 Id: 15/14