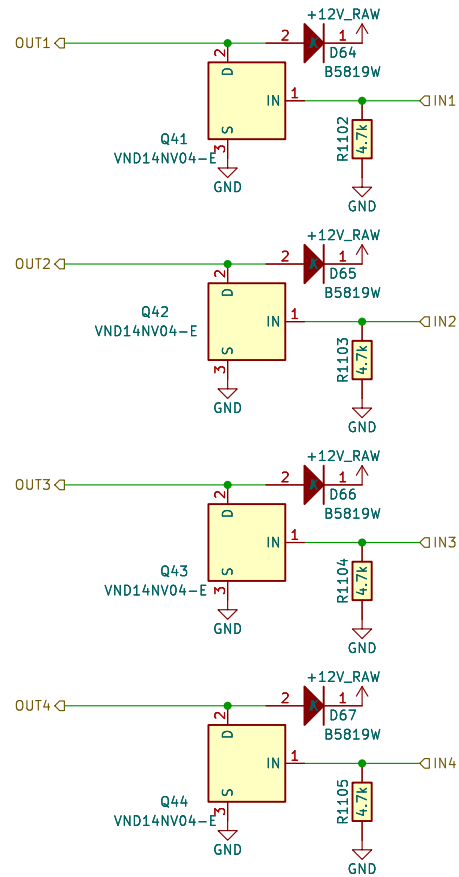


Sheet: /INJ/		
File: INJ4.kicad_sch		
<b>Title:</b>		
Size: A4	Date:	Rev:
KiCad E.D.A. kicad-cli 7.0.9-7.0.9-ubuntu22.04.1		Id: 3/14

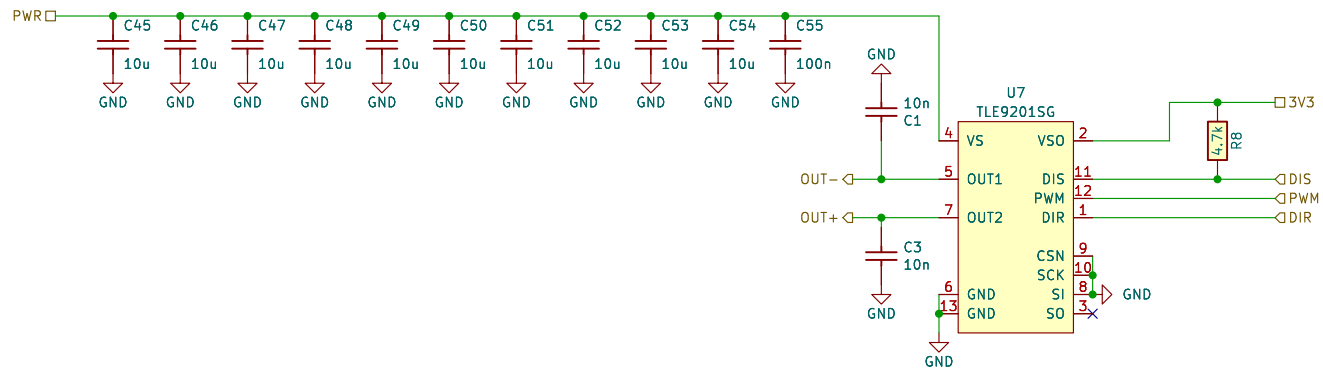


Sheet: /LS1/  
 File: LS4.kicad\_sch

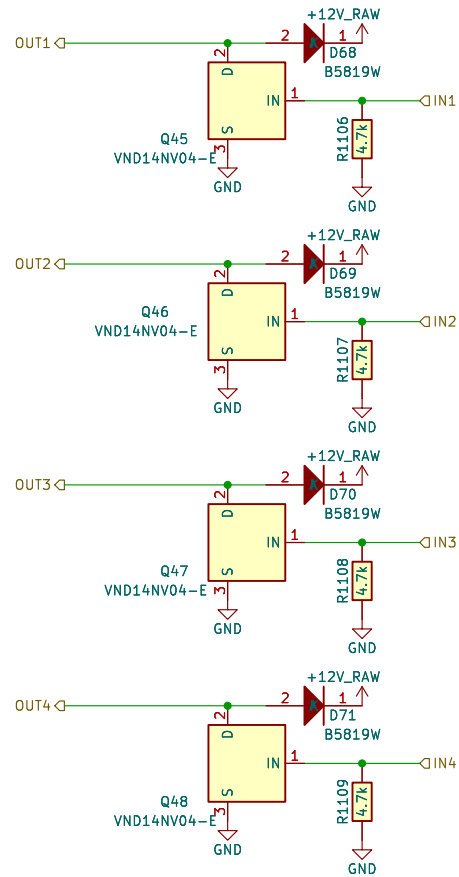
**Title:**

Size: A4 Date:  
 KiCad E.D.A. kicad-cli 7.0.9-7.0.9-ubuntu22.04.1

**Rev:**  
 Id: 4/14



Sheet: /ETB/		Date: 2023-09-04	
File: DC_MOTOR_0.1.kicad_sch		Rev: 0.1	
<b>Title: Hellen-One DC motor driver</b>		KiCad E.D.A. kicad-cli 7.0.9-7.0.9-ubuntu22.04.1	
Size: A4		Id: 5/14	

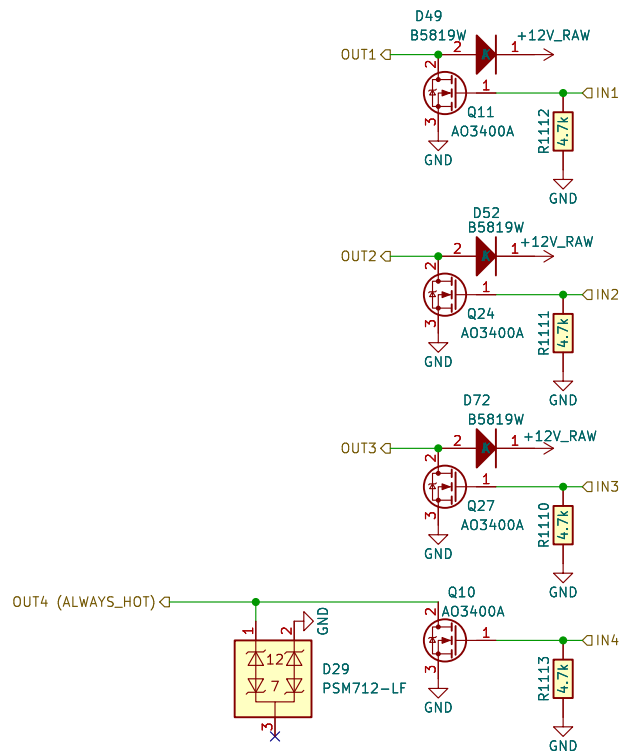


Sheet: /LS2/  
 File: LS4.kicad\_sch

**Title:**

Size: A4      Date:  
 KiCad E.D.A.    kicad-cli 7.0.9-7.0.9-ubuntu22.04.1

**Rev:**  
 Id: 6/14



Sheet: /LS\_weak/  
 File: LS\_weak.kicad\_sch

**Title:**

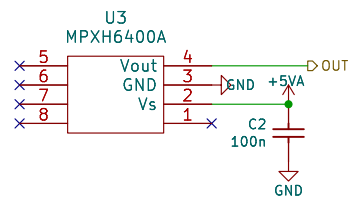
Size: A4

Date:

**Rev:**

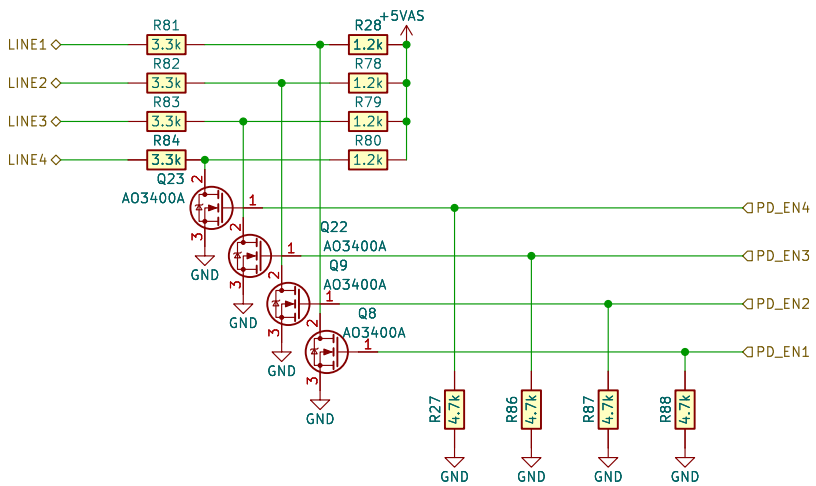
KiCad E.D.A. kicad-cli 7.0.9-7.0.9-ubuntu22.04.1

Id: 7/14



Sheet: /MAP/		
File: MAP.kicad_sch		
<b>Title:</b>		
Size: A4	Date:	Rev:
KiCad E.D.A. kicad-cli 7.0.9-7.0.9-ubuntu22.04.1		Id: 8/14



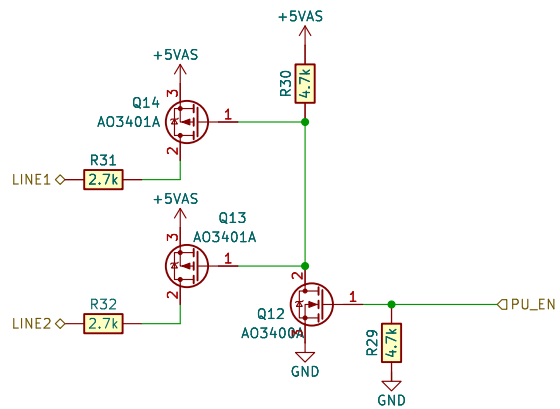


Sheet: /OPT\_PULLDOWNS1/  
 File: PD4.kicad\_sch

**Title:**

Size: A4 Date:  
 KiCad E.D.A. kicad-cli 7.0.9-7.0.9-ubuntu22.04.1

**Rev:**  
 Id: 9/14



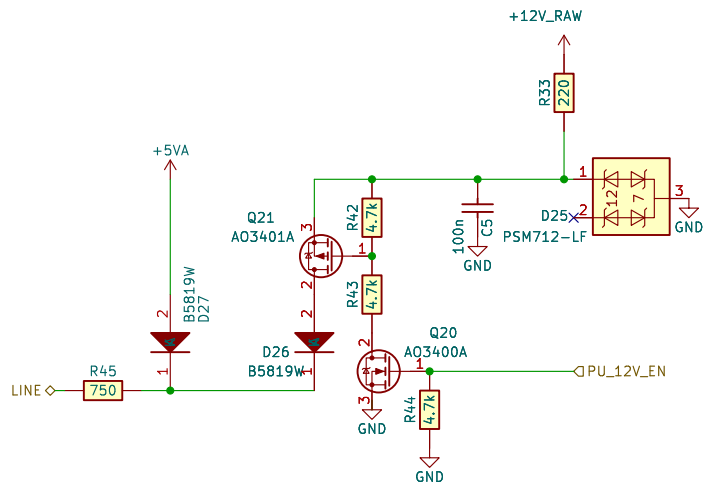
Sheet: /OPT\_PULLUPS/  
 File: DOUBLE\_PU.kicad\_sch

**Title:**

Size: A4  
 KiCad E.D.A. kicad-cli 7.0.9-7.0.9-ubuntu22.04.1

Date:

Rev:  
 Id: 11/14

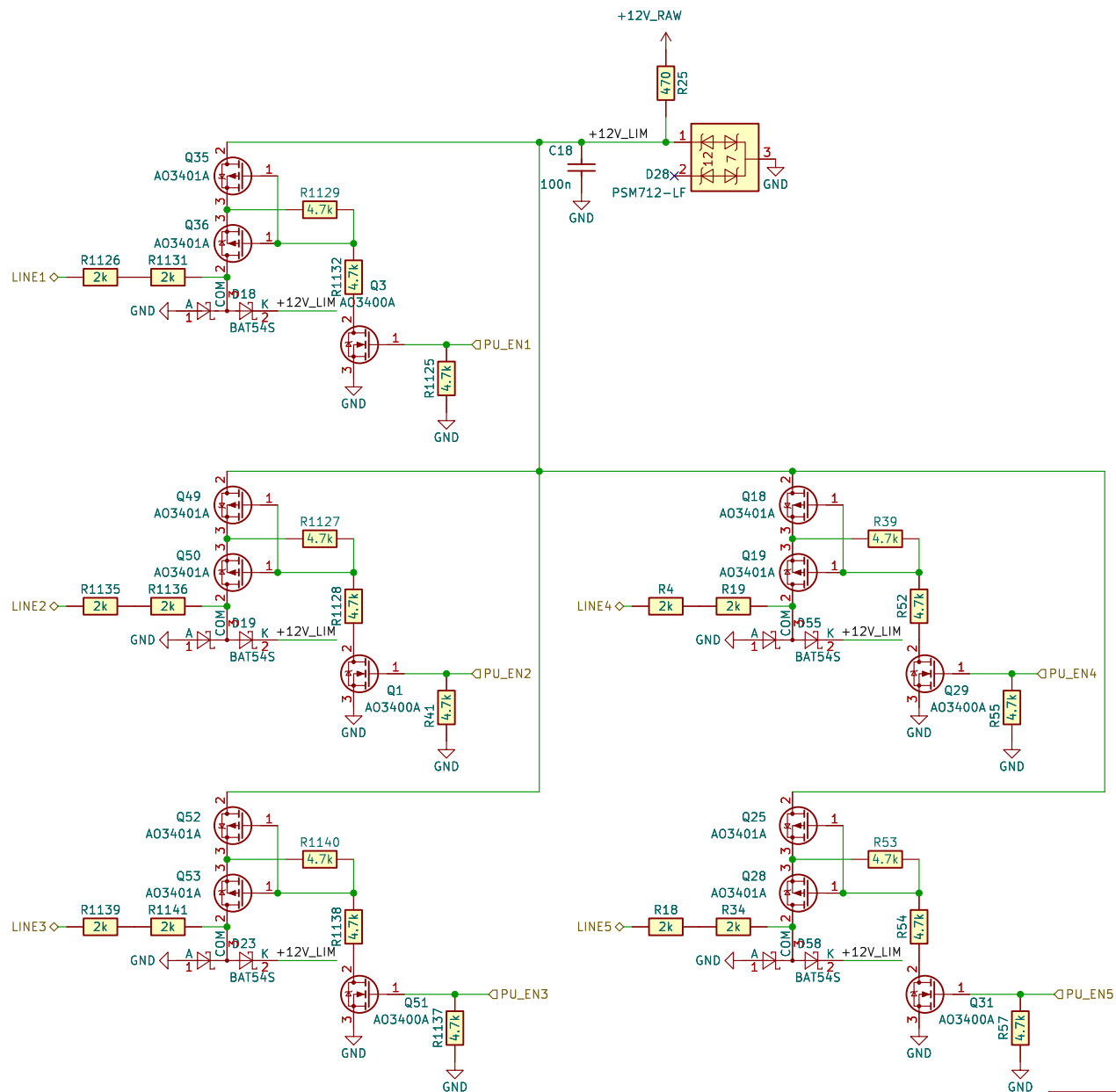


Sheet: /TACH\_PULLUP/  
 File: TACH\_PU.kicad\_sch

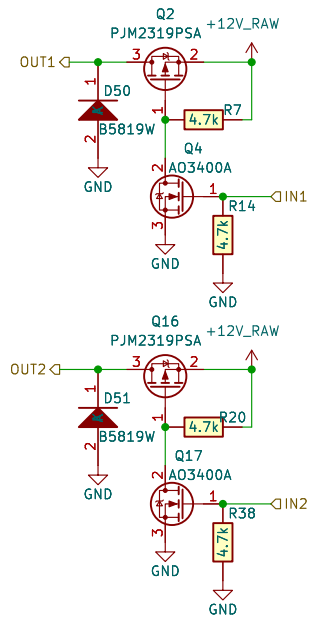
**Title:**

Size: A4 Date:  
 KiCad E.D.A. kicad-cli 7.0.9-7.0.9-ubuntu22.04.1

Rev:  
 Id: 12/14



Sheet: /HALL_OPT_PU/	
File: HALL_PU3.kicad_sch	
<b>Title:</b>	
Size: A4	Date:
KiCad E.D.A. kicad-cli 7.0.9-7.0.9-ubuntu22.04.1	Rev: Id: 13/14

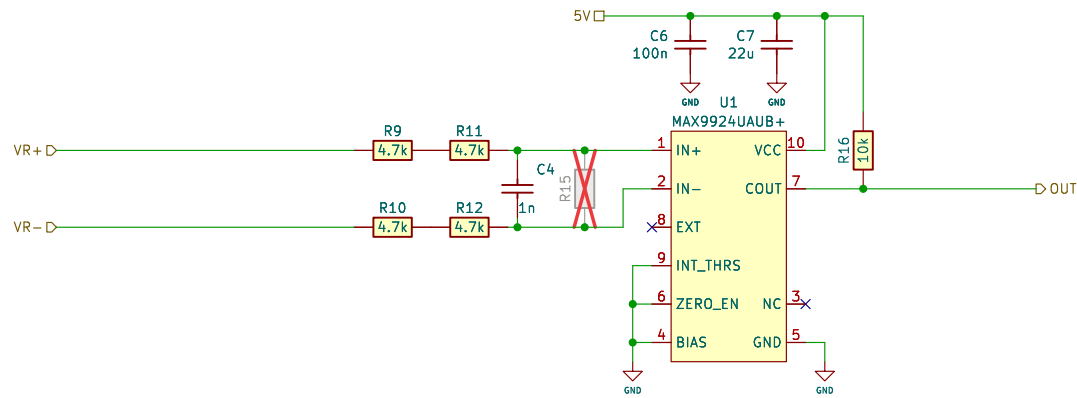


Sheet: /HS/  
 File: HS2.kicad\_sch

**Title:**

Size: A4 Date:  
 KiCad E.D.A. kicad-cli 7.0.9-7.0.9-ubuntu22.04.1

**Rev:**  
 Id: 14/14



Sheet: /vr9924/  
 File: vr9924.kicad\_sch

**Title:**

Size: A4      Date:  
 KiCad E.D.A.    kicad-cli 7.0.9-7.0.9-ubuntu22.04.1

**Rev:**  
 Id: 15/14