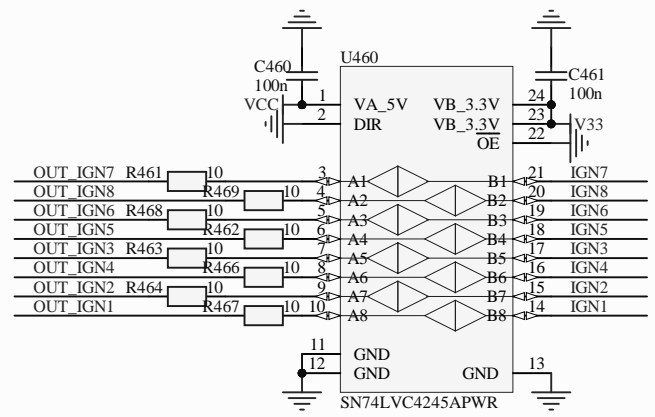
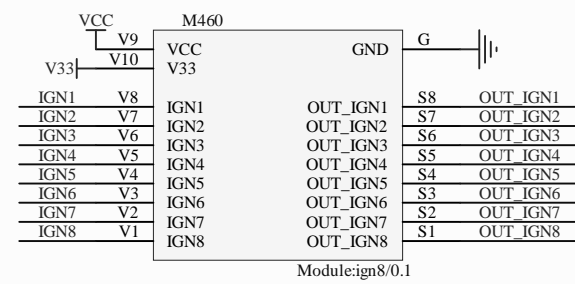


Sheet: /
 File: hellen1-vr-discrete.kicad_sch

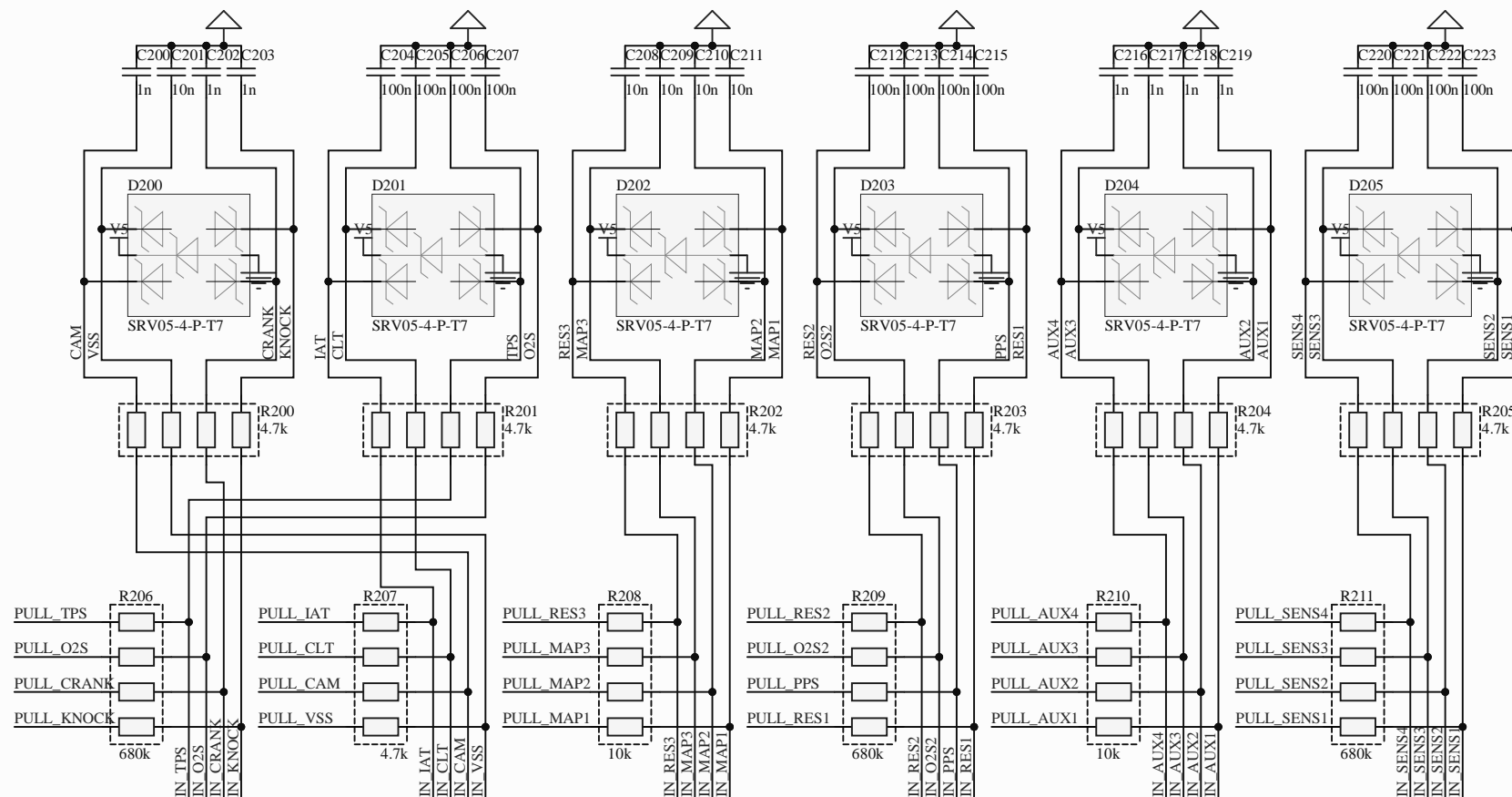
Title:
 Size: A4 Date:
 KiCad E.D.A. kicad (5.99.0-10483-ga6ad7a4a70)

Rev:
 Id: 1/1



M200D			
PULL_CRANK J21	PULL_CRANK	PULL_MAP1	J14 PULL_MAP1
PULL_CAM J17	PULL_CAM	PULL_MAP2	J13 PULL_MAP2
PULL_VSS J18	PULL_VSS	PULL_MAP3	J12 PULL_MAP3
PULL_TPS J19	PULL_TPS	PULL_AUX1	J10 PULL_AUX1
PULL_PPS J5	PULL_PPS	PULL_AUX2	J9 PULL_AUX2
PULL_IAT J15	PULL_IAT	PULL_AUX3	J8 PULL_AUX3
PULL_CLT J16	PULL_CLT	PULL_AUX4	J7 PULL_AUX4
PULL_O2S J20	PULL_O2S	PULL_SENS1	J26 PULL_SENS1
PULL_O2S2 J4	PULL_O2S2	PULL_SENS2	J25 PULL_SENS2
PULL_RES1 J6	PULL_RES1	PULL_SENS3	J24 PULL_SENS3
PULL_RES2 J3	PULL_RES2	PULL_SENS4	J23 PULL_SENS4
PULL_RES3 J11	PULL_RES3	PULL_KNOCK	J22 PULL_KNOCK

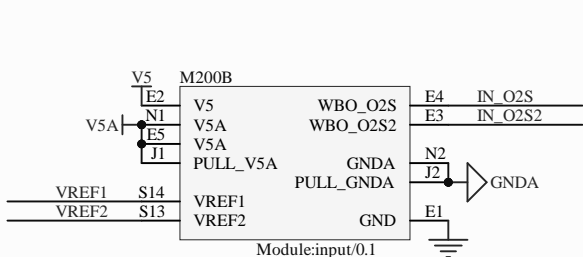
Module:input/0.1



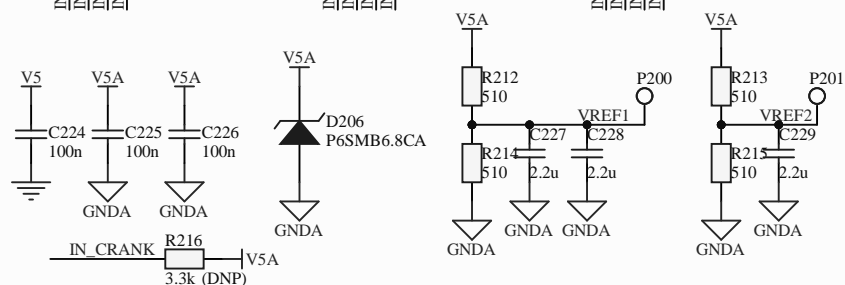
M200C		M200A	
IN_CRANK S8	IN_CRANK	N21 CRANK	CRANK
IN_CAM S5	IN_CAM	N19 CAM	CAM
IN_VSS S6	IN_VSS	N20 VSS	VSS
IN_TPS S10	IN_TPS	N17 TPS	TPS
IN_PPS S24	IN_PPS	N5 PPS	PPS
IN_IAT S16	IN_IAT	N15 IAT	IAT
IN_CLT S15	IN_CLT	N16 CLT	CLT
IN_O2S S9	IN_O2S	N18 O2S	O2S
IN_O2S2 S25	IN_O2S2	N4 O2S2	O2S2
IN_RES1 S23	IN_RES1	N6 RES1	RES1
IN_RES2 S26	IN_RES2	N3 RES2	RES2
IN_RES3 S22	IN_RES3	N11 RES3	RES3
IN_MAP1 S11	IN_MAP1	N14 MAP1	MAP1
IN_MAP2 S12	IN_MAP2	N13 MAP2	MAP2
IN_MAP3 S19	IN_MAP3	N12 MAP3	MAP3
IN_AUX1 S17	IN_AUX1	N10 AUX1	AUX1
IN_AUX2 S18	IN_AUX2	N9 AUX2	AUX2
IN_AUX3 S20	IN_AUX3	N8 AUX3	AUX3
IN_AUX4 S21	IN_AUX4	N7 AUX4	AUX4
IN_SENS1 S1	IN_SENS1	N26 SENS1	SENS1
IN_SENS2 S2	IN_SENS2	N25 SENS2	SENS2
IN_SENS3 S3	IN_SENS3	N24 SENS3	SENS3
IN_SENS4 S4	IN_SENS4	N23 SENS4	SENS4
IN_KNOCK S7	IN_KNOCK	N22 KNOCK	KNOCK

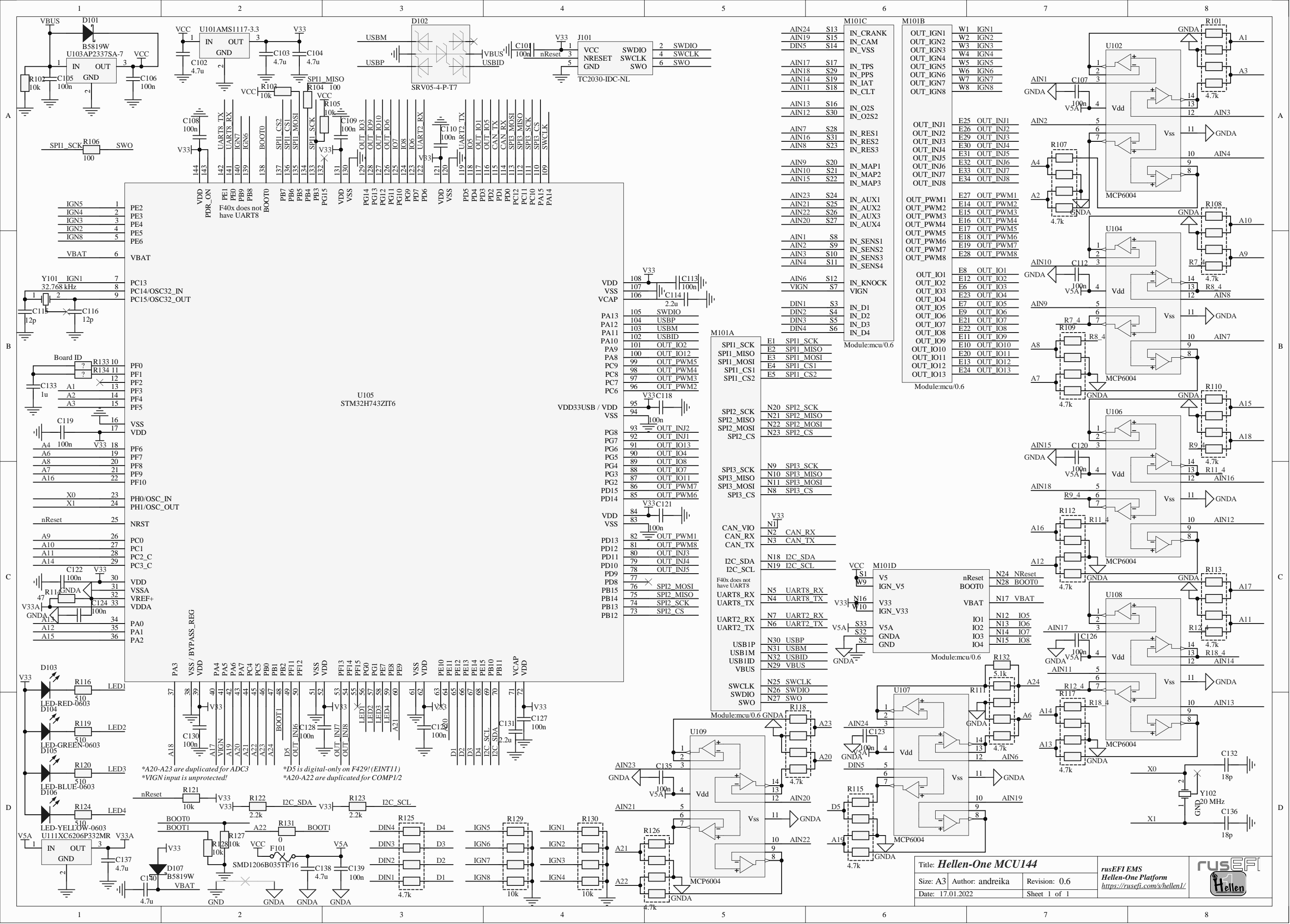
Module:input/0.1

Module:input/0.1



Module:input/0.1





IGN5	1	PE2	VDD_ON	144	143
IGN4	2	PE3	PDR_ON	142	141
IGN3	3	PE4	PE0	140	139
IGN2	4	PE5	F40x does not have UART8	138	137
IGN8	5	PE6	BOOT0	136	135
VBAT	6	VBAT	PB7	134	133
Y101_IGN1	7	PC13	PB6	132	131
PC14/OSC32_IN	8	PC15/OSC32_OUT	PB5	130	129
PC15/OSC32_OUT	9		PB4	128	127
PF0	10		PB3	126	125
PF1	11		PB2	124	123
PF2	12		PB1	122	121
PF3	13		PG14	120	119
PF4	14		PG13	118	117
PF5	15		PG12	116	115
VSS	16		PG11	114	113
VDD	17		PG10	112	111
PF6	18		PG9	110	109
PF7	19		PD5	108	107
PF8	20		PD4	106	105
PF9	21		PD3	104	103
PF10	22		PD2	102	101
X0	23	PH0/OSC_IN	PD1	100	99
X1	24	PH1/OSC_OUT	PD0	98	97
nReset	25	NRST	PC8	96	95
A9	26	PC0	PC7	94	93
A10	27	PC1	PC6	92	91
A11	28	PC2_C	PA13	90	89
A14	29	PC3_C	PA12	88	87
VDD	30		PA11	86	85
VSSA	31		PA10	84	83
VREF+	32		PA9	82	81
VDDA	33		PA8	80	79
PA0	34		PA7	78	77
PA1	35		PA6	76	75
PA2	36		PA5	74	73

AIN24	S13	IN_CRANK	PA13	105	SWDIO
AIN19	S15	IN_CAM	PA12	104	USBP
DIN5	S14	IN_VSS	PA11	103	USBM
AIN17	S17	IN_TPS	PA10	102	USBID
AIN18	S29	IN_PPS	PA9	101	OUT_IO2
AIN14	S19	IN_IAT	PA8	100	OUT_IO12
AIN11	S18	IN_CLT	PA7	99	OUT_PWM5
AIN13	S16	IN_O2S	PC9	98	OUT_PWM4
AIN12	S30	IN_O2S2	PC8	97	OUT_PWM3
AIN7	S28	IN_RES1	PC7	96	OUT_PWM2
AIN16	S31	IN_RES2	PG8	93	OUT_INJ2
AIN8	S23	IN_RES3	PG7	92	OUT_INJ1
AIN9	S20	IN_MAP1	PG6	91	OUT_IO13
AIN10	S21	IN_MAP2	PG5	90	OUT_IO4
AIN15	S22	IN_MAP3	PG4	89	OUT_IO8
AIN23	S24	IN_AUX1	PG3	88	OUT_IO7
AIN21	S25	IN_AUX2	PG2	87	OUT_IO11
AIN22	S26	IN_AUX3	PD15	86	OUT_PWM7
AIN20	S27	IN_AUX4	PD14	85	OUT_PWM6
AIN1	S8	IN_SENS1	VDD	84	
AIN2	S9	IN_SENS2	VSS	83	
AIN3	S10	IN_SENS3	PD13	82	OUT_PWM1
AIN4	S11	IN_SENS4	PD12	81	OUT_PWM8
AIN6	S12	IN_KNOCK	PD11	80	OUT_INJ3
VIGN	S7	VIGN	PD10	79	OUT_INJ4
DIN1	S3	IN_D1	PD9	78	OUT_INJ5
DIN2	S4	IN_D2	PD8	77	
DIN3	S5	IN_D3	PB15	76	SPI2_MOSI
DIN4	S6	IN_D4	PB14	75	SPI2_MISO
			PB13	74	SPI2_SCK
			PB12	73	SPI2_CS

SPI1_SCK	E1	SPI1_SCK	SWCLK	N25	SWCLK
SPI1_MISO	E2	SPI1_MISO	SWDIO	N26	SWDIO
SPI1_MOSI	E3	SPI1_MOSI	SWO	N27	SWO
SPI1_CS1	E4	SPI1_CS1			
SPI1_CS2	E5	SPI1_CS2			
SPI2_SCK	N20	SPI2_SCK			
SPI2_MISO	N21	SPI2_MISO			
SPI2_MOSI	N22	SPI2_MOSI			
SPI2_CS	N23	SPI2_CS			
SPI3_SCK	N9	SPI3_SCK			
SPI3_MISO	N10	SPI3_MISO			
SPI3_MOSI	N11	SPI3_MOSI			
SPI3_CS	N8	SPI3_CS			
CAN_VIO	N1	CAN_RX			
CAN_RX	N2	CAN_TX			
CAN_TX	N3				
I2C_SDA	N18	I2C_SDA			
I2C_SCL	N19	I2C_SCL			
UART8_RX	N5	UART8_RX			
UART8_TX	N4	UART8_TX			
UART2_RX	N7	UART2_RX			
UART2_TX	N6	UART2_TX			
USB1P	N30	USBP			
USB1M	N31	USBM			
USB1ID	N32	USBID			
VBUS	N29	VBUS			
SWCLK	N25	SWCLK			
SWDIO	N26	SWDIO			
SWO	N27	SWO			

*A20-A23 are duplicated for ADC3
 *D5 is digital-only on F429! (EINT11)
 *VIGN input is unprotected!
 *A20-A22 are duplicated for COMP1/2

