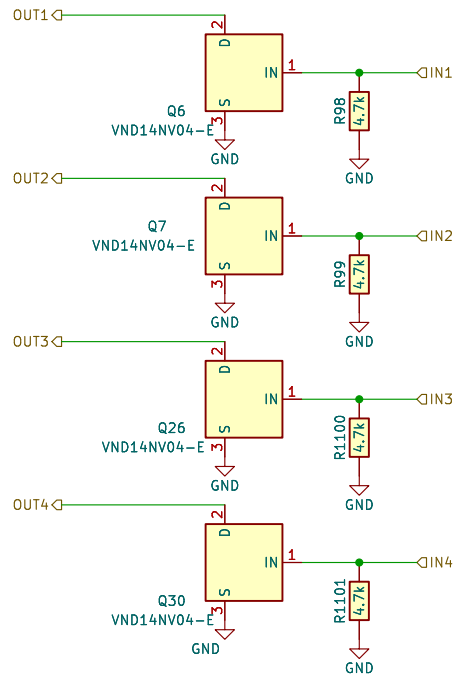


Занулить резисторы HALL

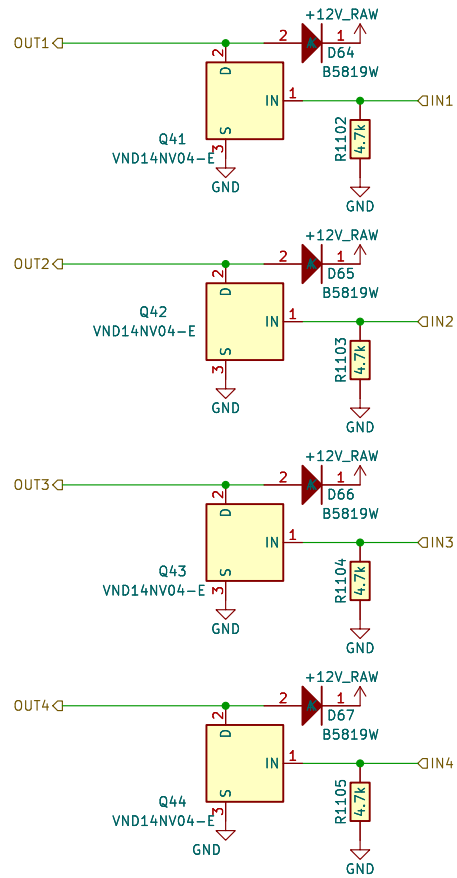


Sheet: /INJ/
 File: INJ4.kicad_sch

Title:

Size: A4 Date:
 KiCad E.D.A. kicad 7.0.1-115-g2ece2719d0

Rev:
 Id: 3/14

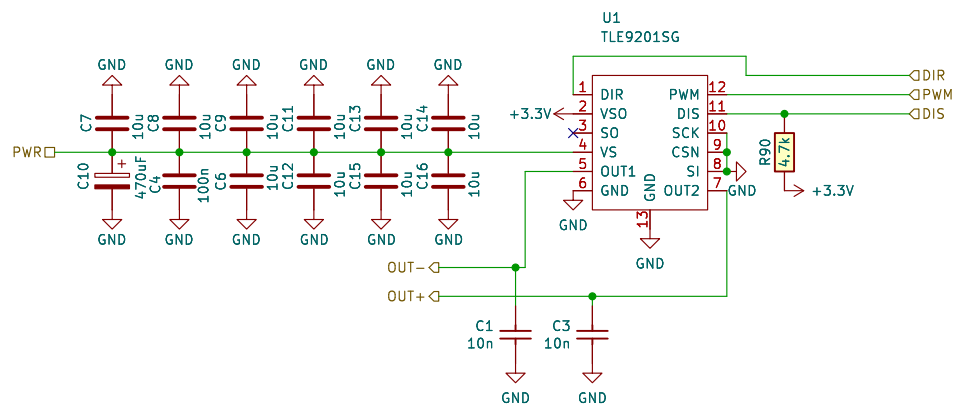


Sheet: /LS1/
 File: LS4.kicad_sch

Title:

Size: A4 Date:
 KiCad E.D.A. kicad 7.0.1-115-g2ece2719d0

Rev:
 Id: 4/14

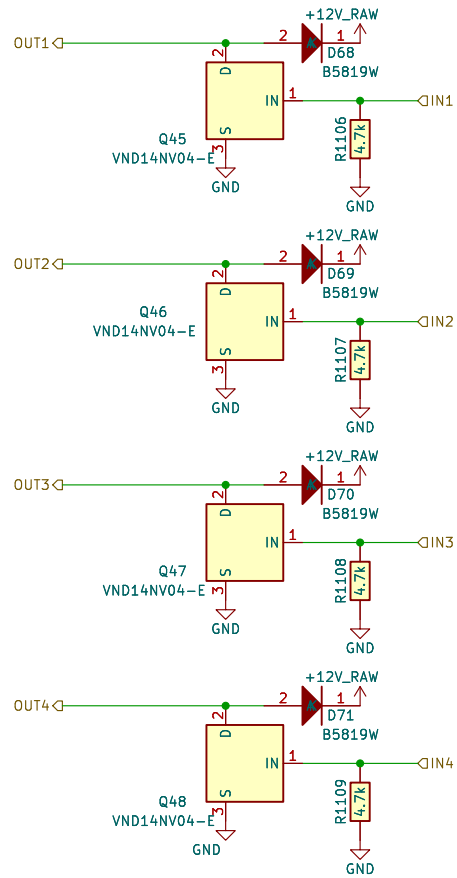


Sheet: /ETB/
 File: ETB.kicad_sch

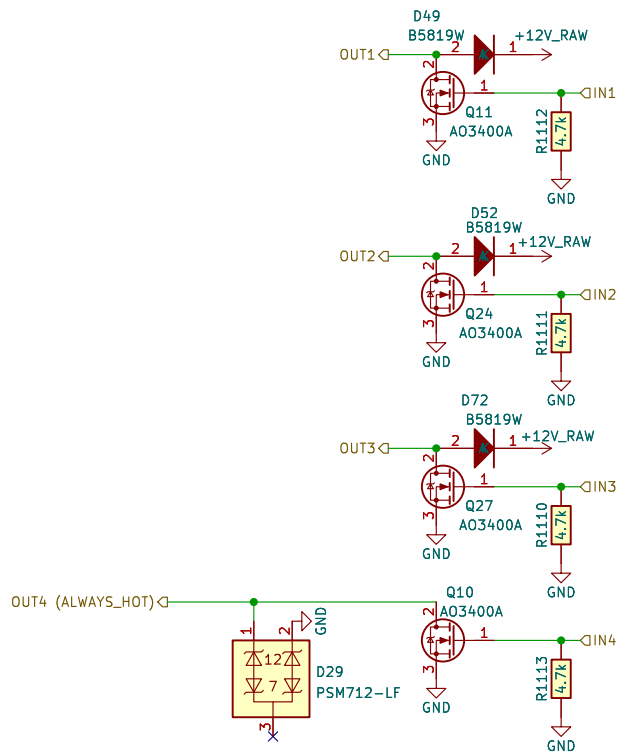
Title:

Size: A4 Date:
 KiCad E.D.A. kicad 7.0.1-115-g2ece2719d0

Rev:
 Id: 5/14



Sheet: /LS2/		
File: LS4.kicad_sch		
Title:		
Size: A4	Date:	Rev:
KiCad E.D.A. kicad 7.0.1-115-g2ece2719d0		Id: 6/14

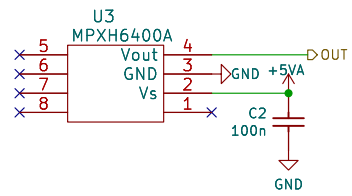


Sheet: /LS_weak/
 File: LS_weak.kicad_sch

Title:

Size: A4 Date:
 KiCad E.D.A. kicad 7.0.1-115-g2ece2719d0

Rev:
 Id: 7/14

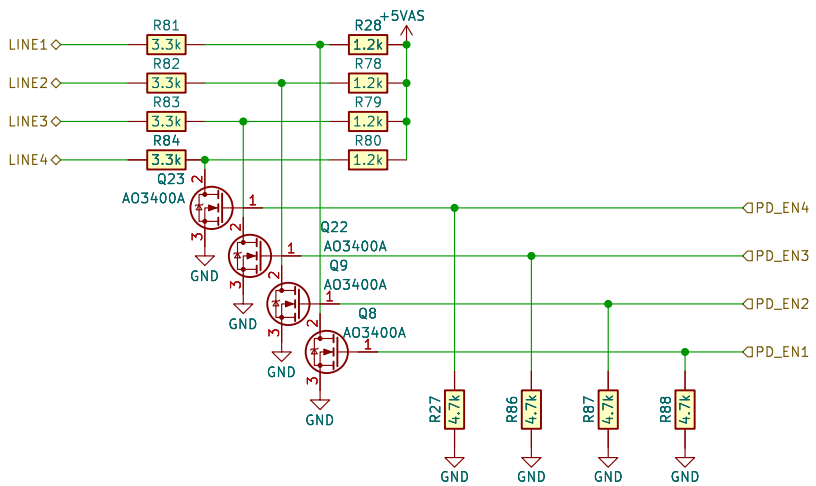


Sheet: /MAP/
File: MAP.kicad_sch

Title:

Size: A4 Date:
KiCad E.D.A. kicad 7.0.1-115-g2ece2719d0

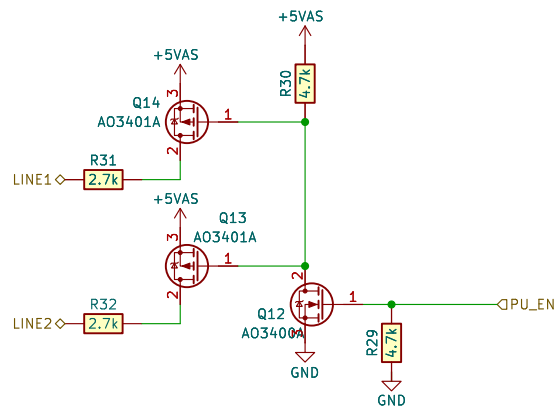
Rev:
Id: 8/14



Sheet: /OPT_PULLDOWNS1/
 File: PD4.kicad_sch

Title:

Size: A4	Date:	Rev:
KiCad E.D.A. kicad 7.0.1-115-g2ece2719d0		Id: 9/14

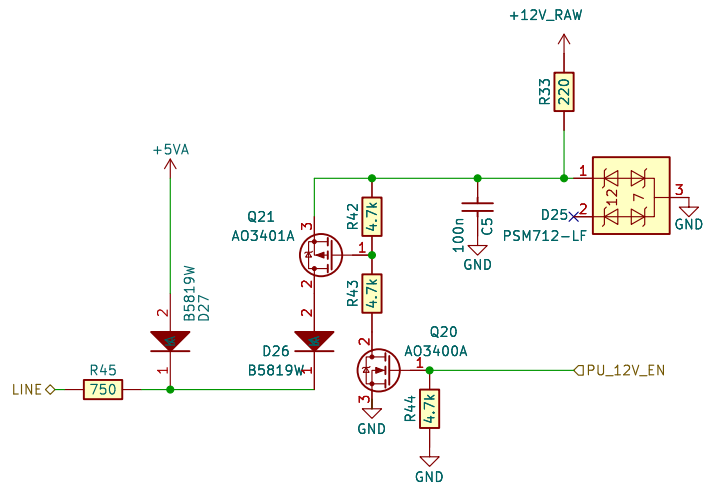


Sheet: /OPT_PULLUPS/
 File: DOUBLE_PU.kicad_sch

Title:

Size: A4 Date:
 KiCad E.D.A. kicad 7.0.1-115-g2ece2719d0

Rev:
 Id: 11/14

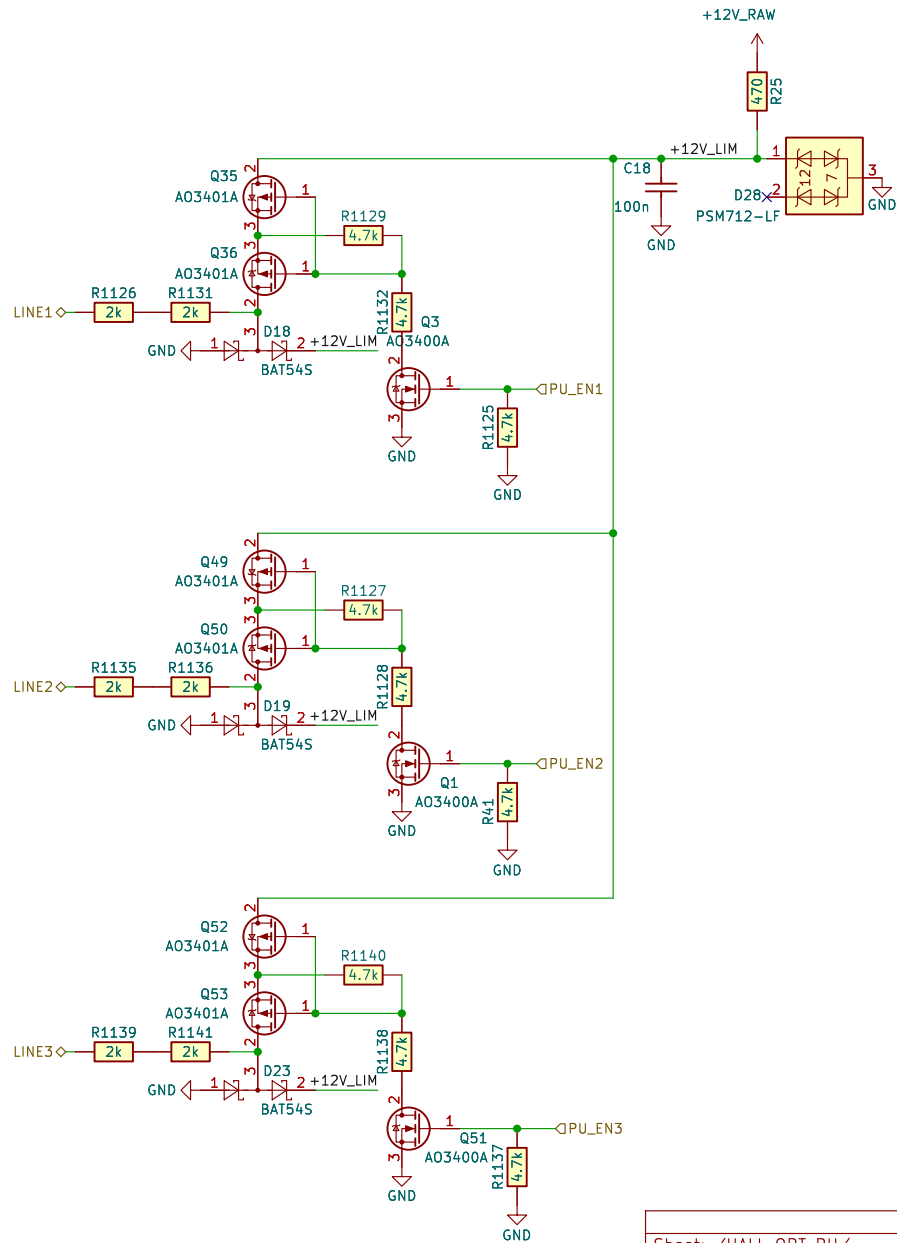


Sheet: /TACH_PULLUP/
 File: TACH_PU.kicad_sch

Title:

Size: A4 Date:
 KiCad E.D.A. kicad 7.0.1-115-g2ece2719d0

Rev:
 Id: 12/14

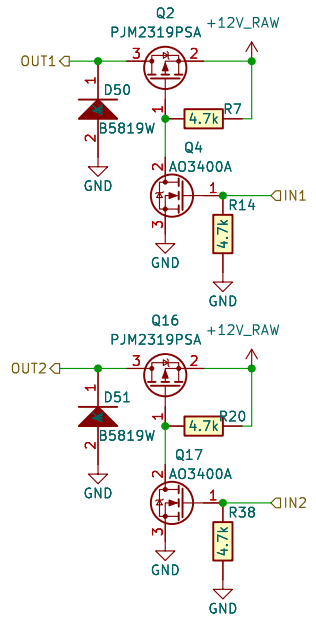


Sheet: /HALL_OPT_PU/
 File: HALL_PU3.kicad_sch

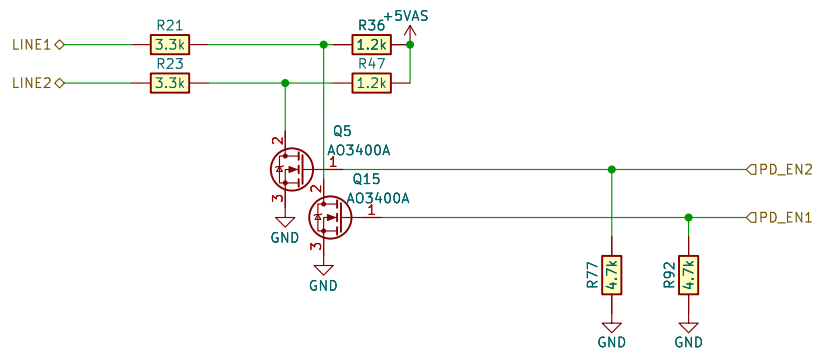
Title:

Size: A4 Date:
 KiCad E.D.A. kicad 7.0.1-115-g2ece2719d0

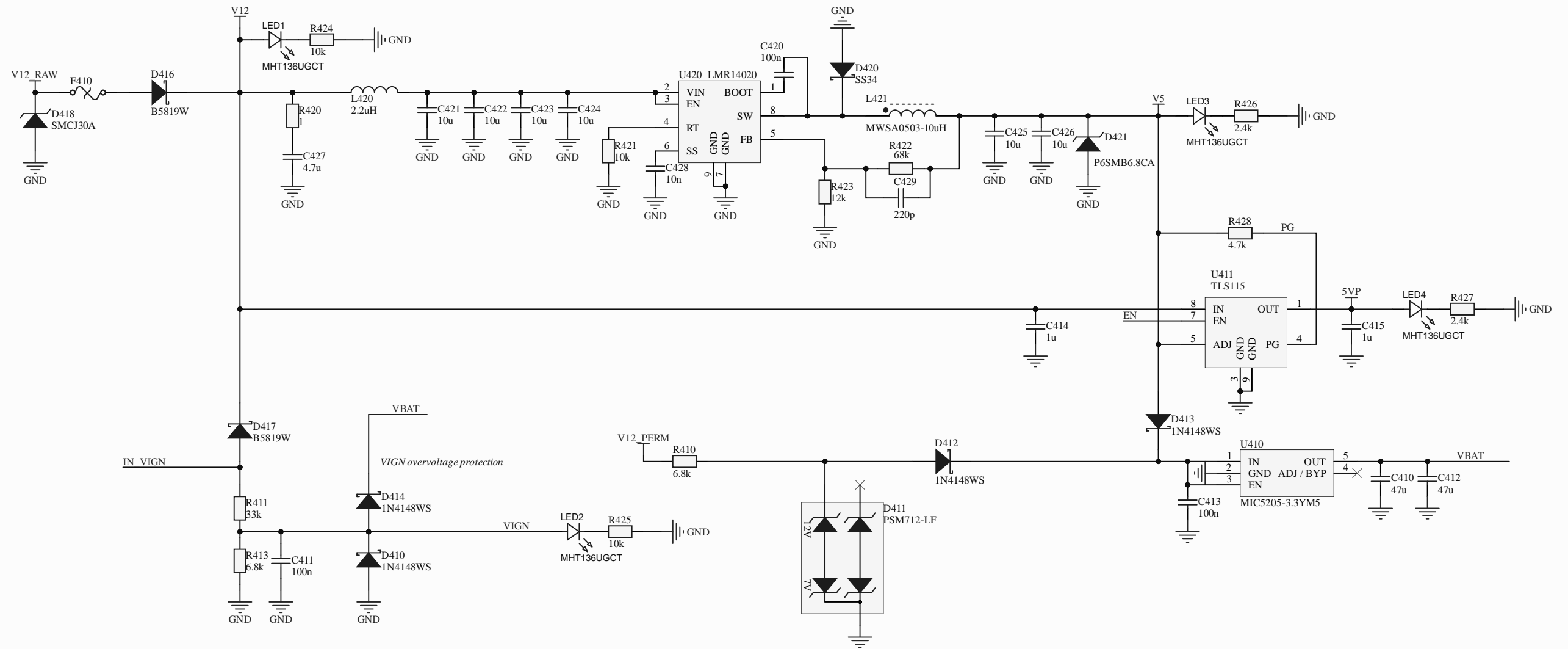
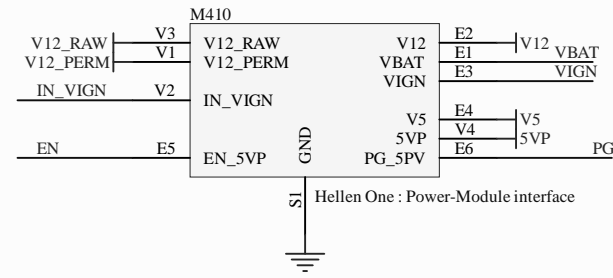
Rev:
 Id: 13/14

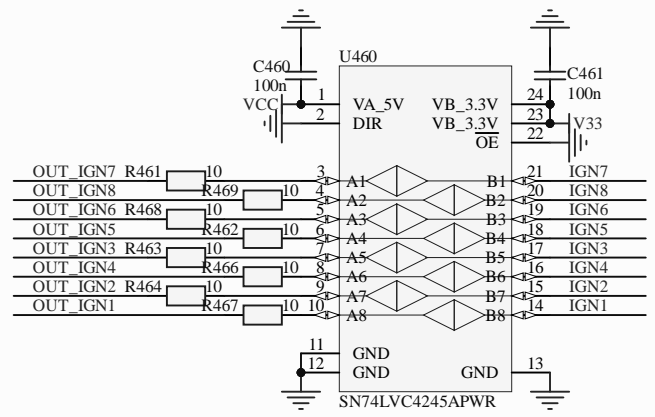
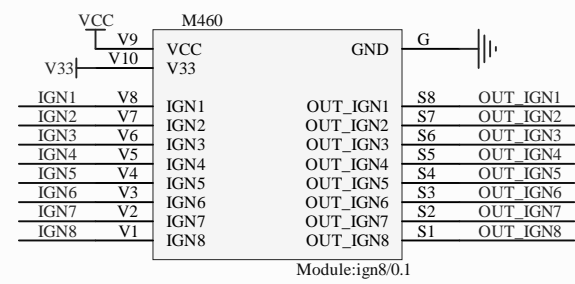


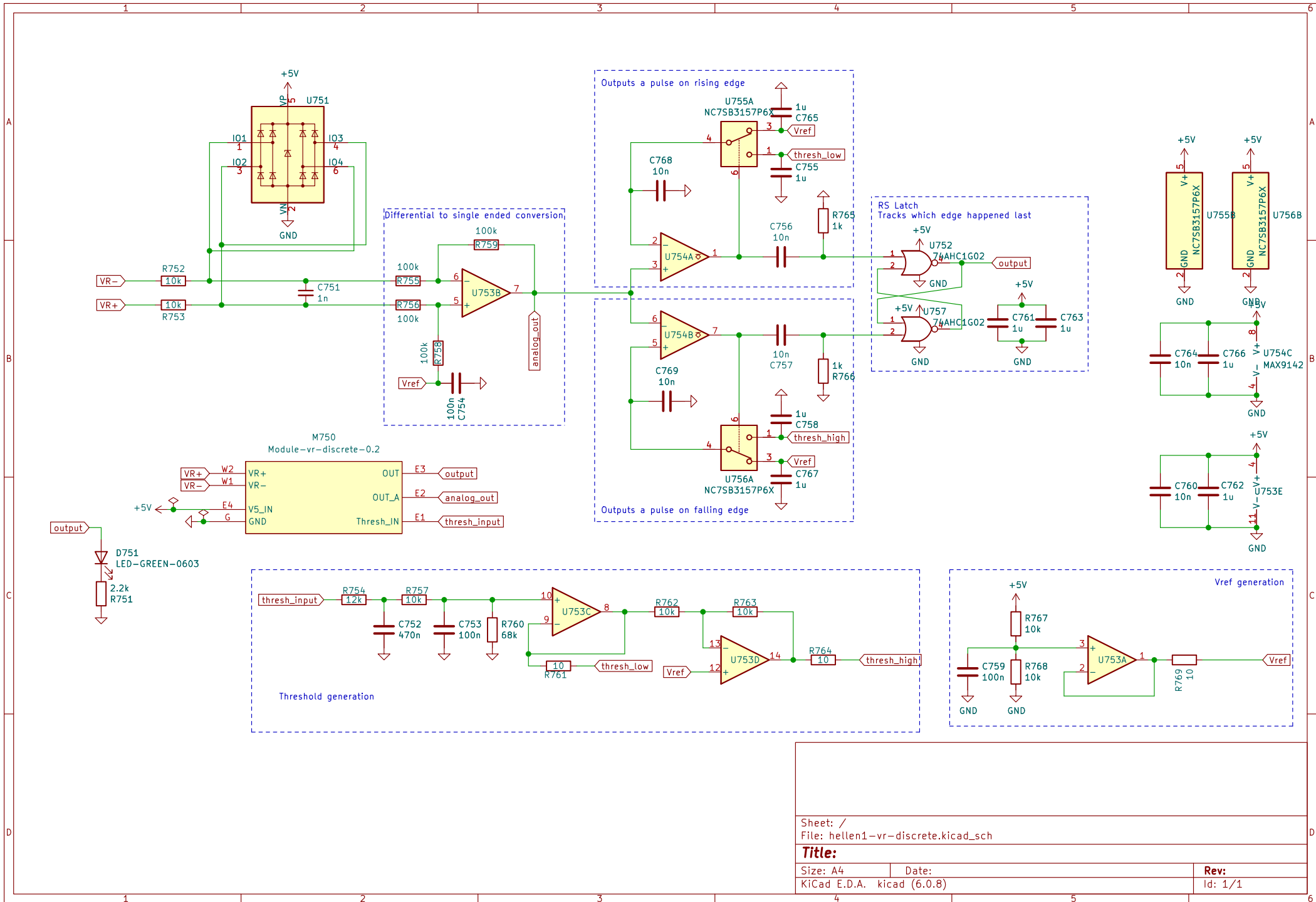
Sheet: /HS/		
File: HS2.kicad_sch		
Title:		
Size: A4	Date:	Rev:
KiCad E.D.A. kicad 7.0.1-115-g2ece2719d0		Id: 14/14



Sheet: /OPT_PULLDOWNS2/		
File: PD2.kicad_sch		
Title:		
Size: A4	Date:	Rev:
KiCad E.D.A. kicad 7.0.1-115-g2ece2719d0		Id: 14/14



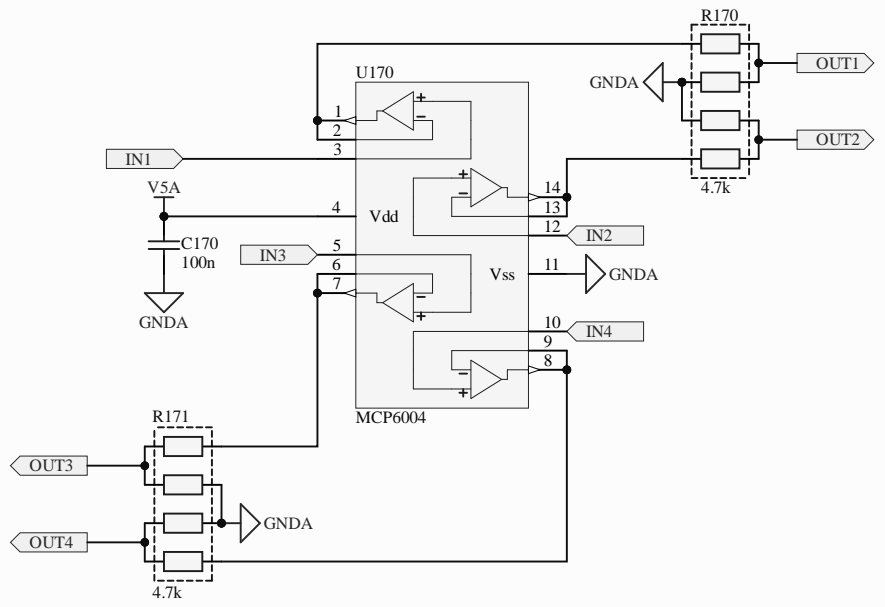


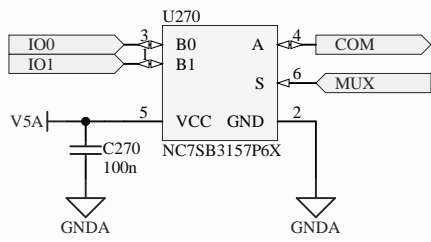


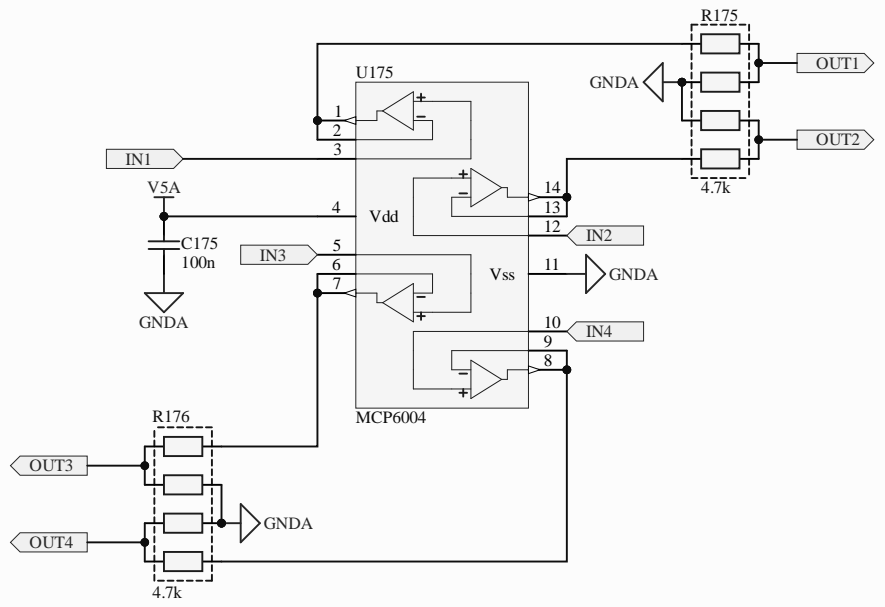
Sheet: /
 File: hellen1-vr-discrete.kicad_sch

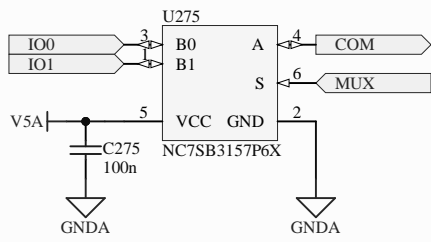
Title:
 Size: A4
 KiCad E.D.A. kicad (6.0.8)

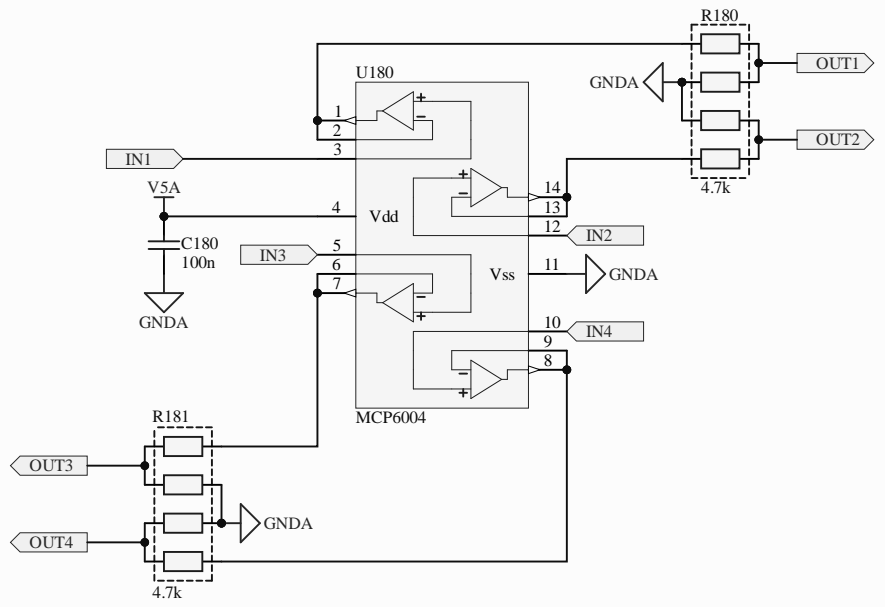
Date:
 Rev:
 Id: 1/1

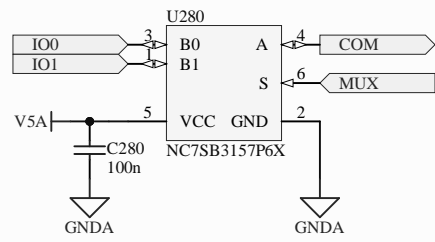


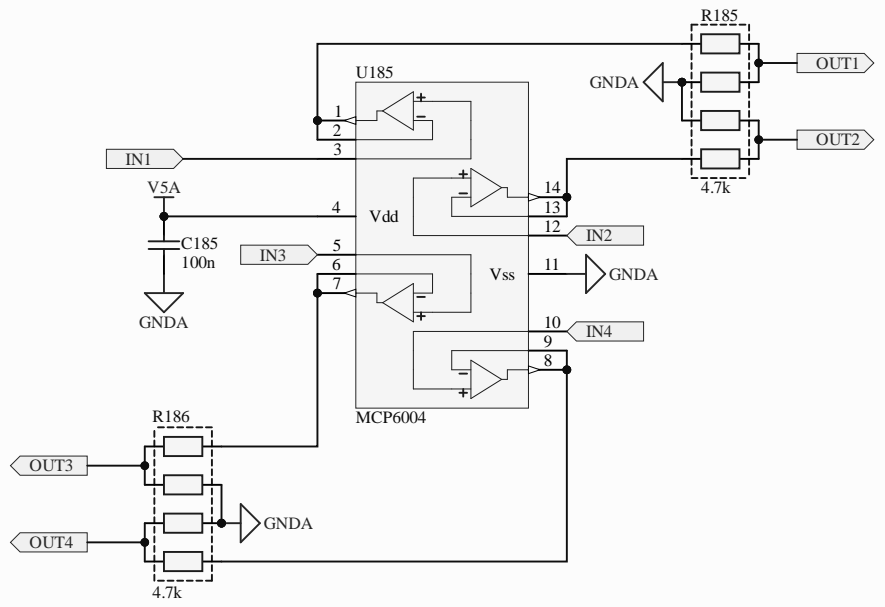


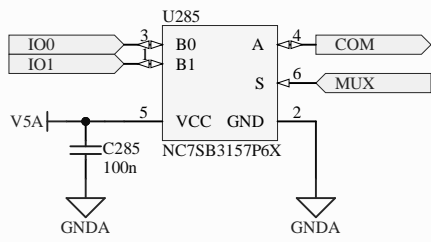


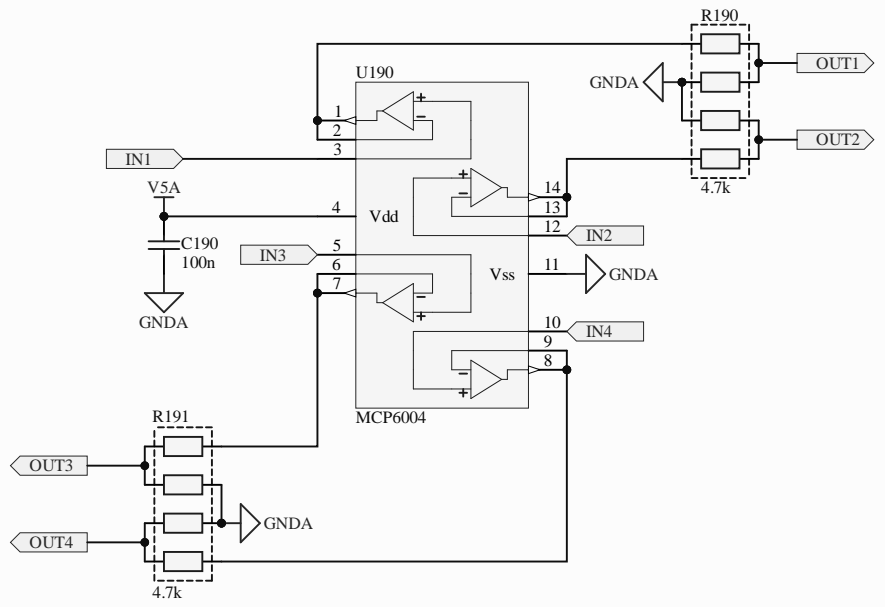


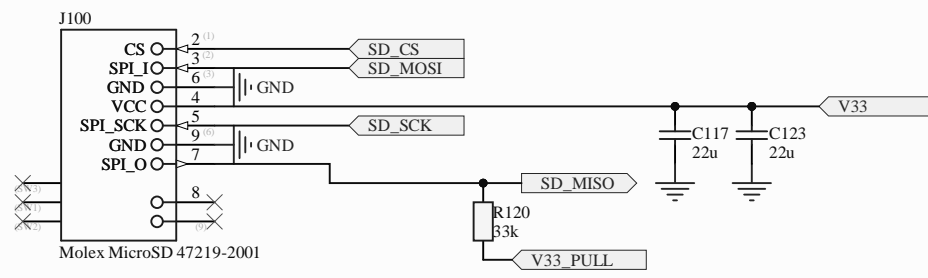


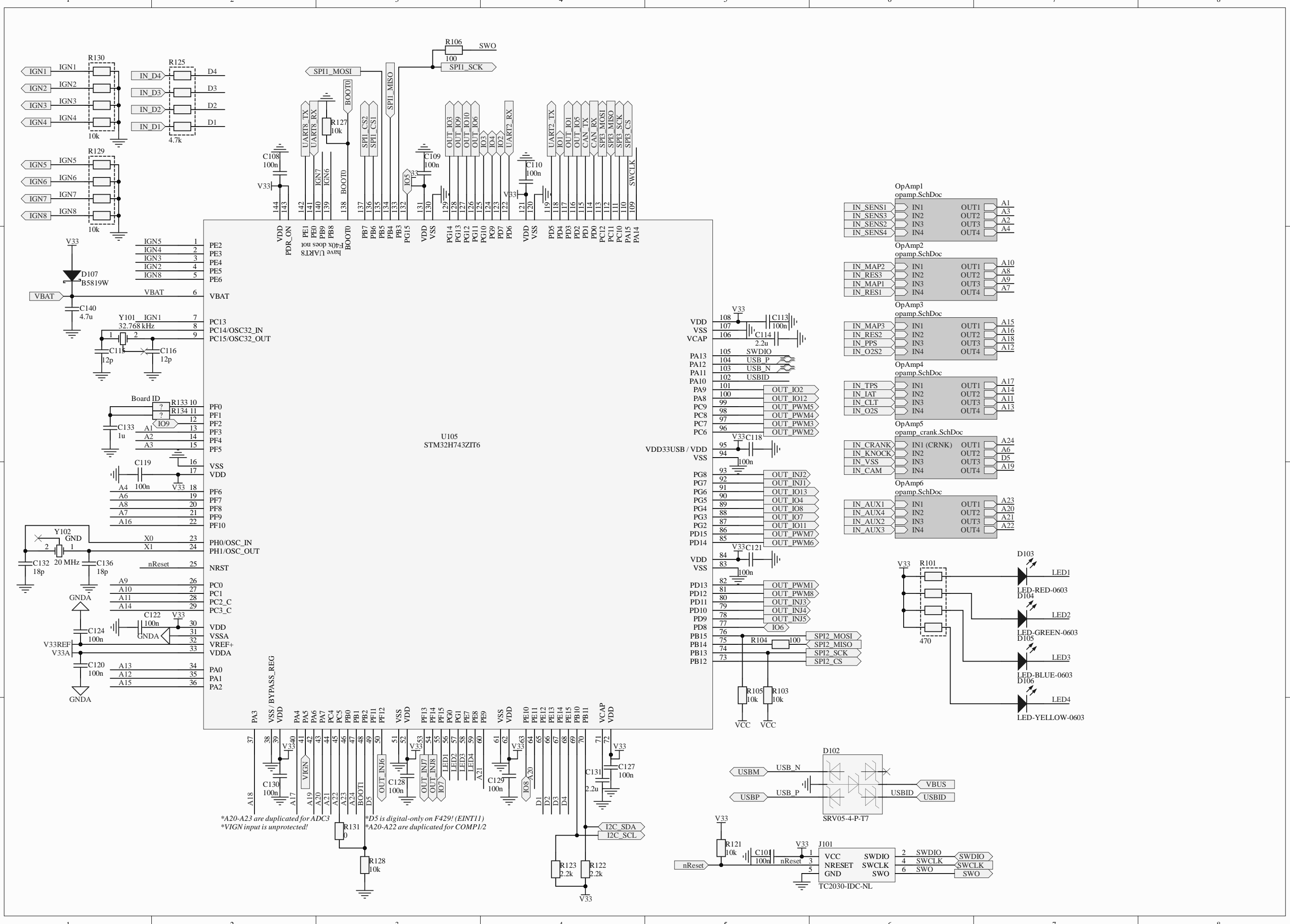




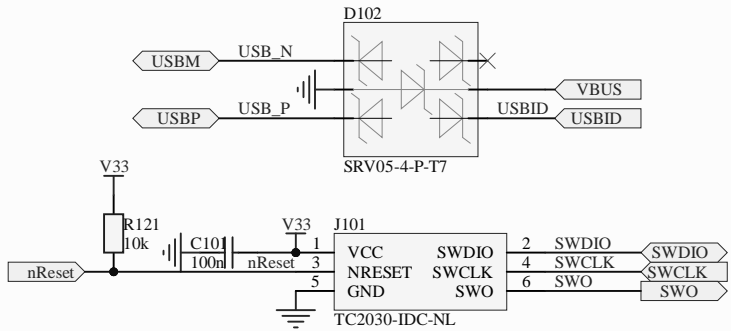
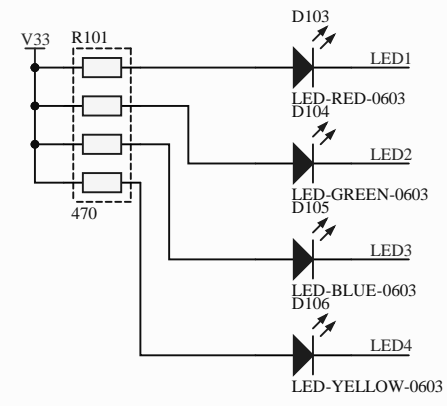
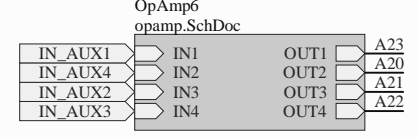
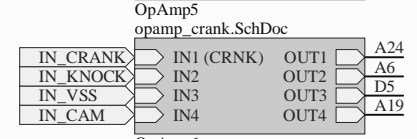
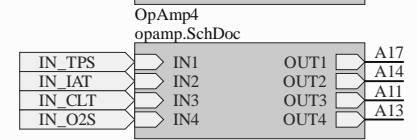
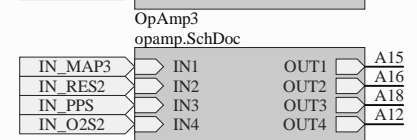
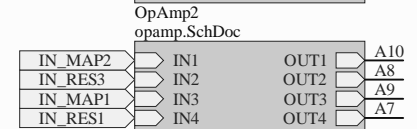
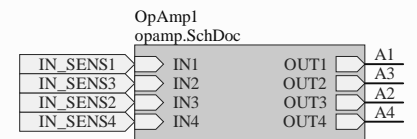






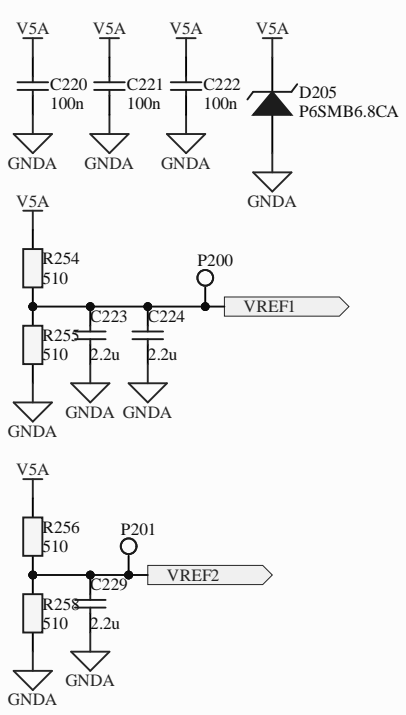
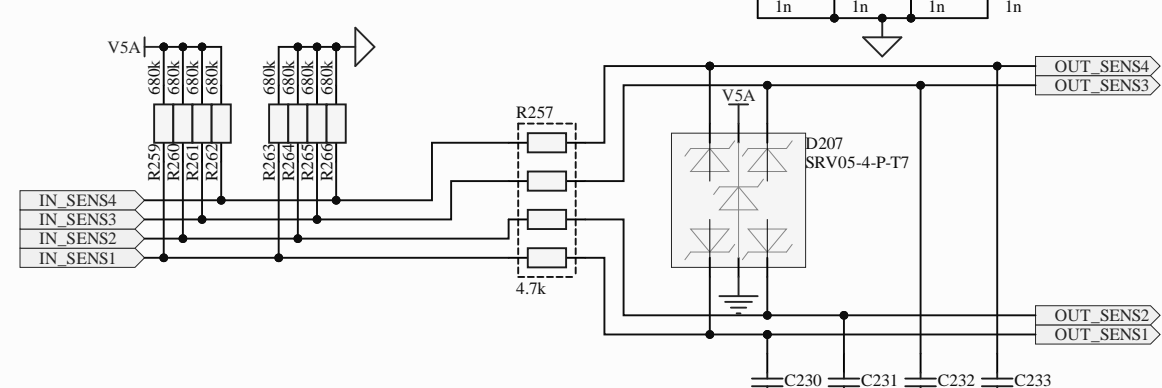
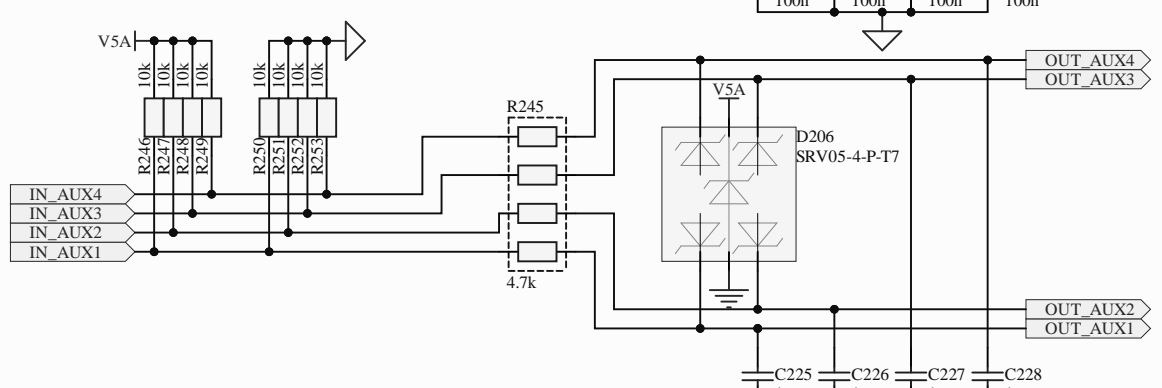
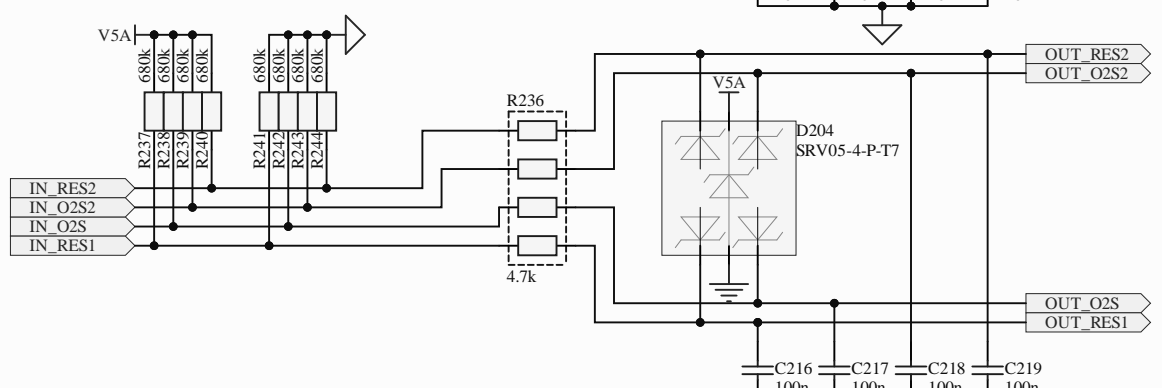
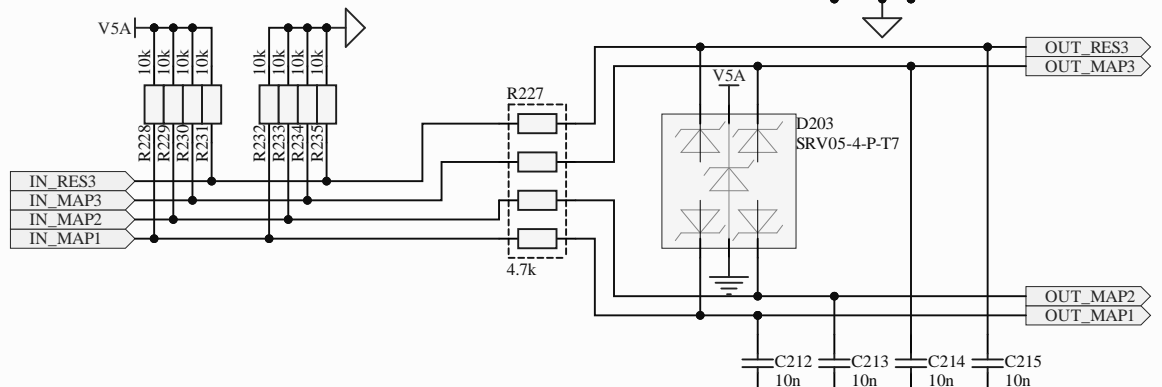
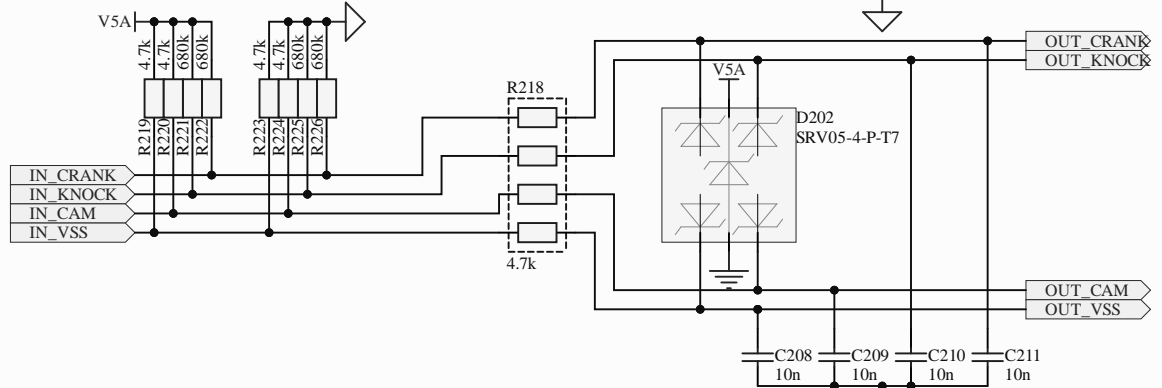
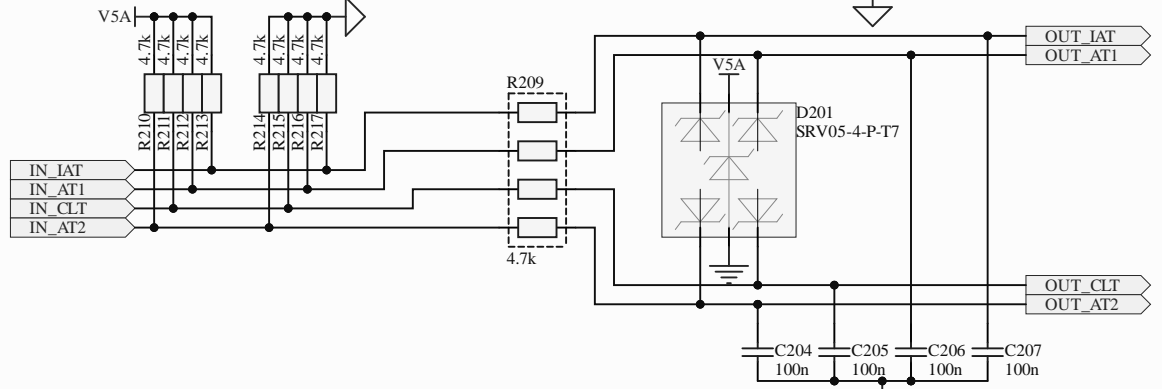
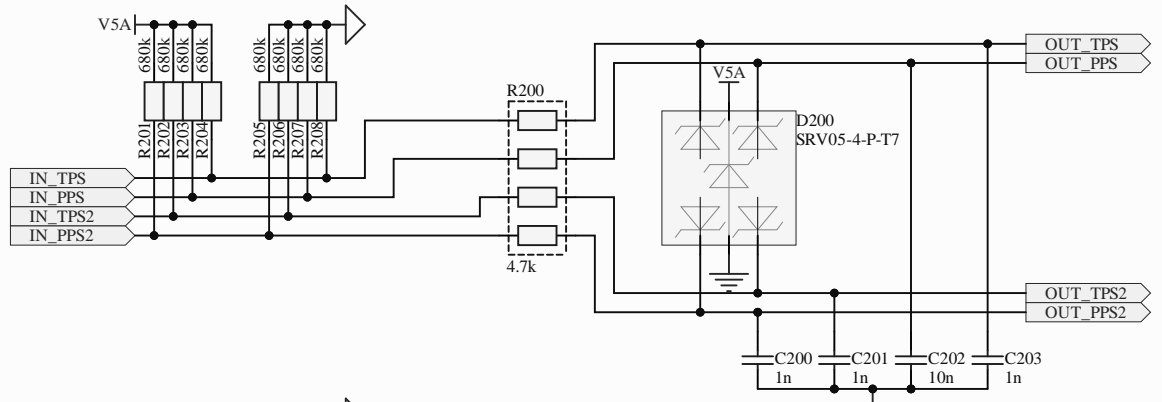


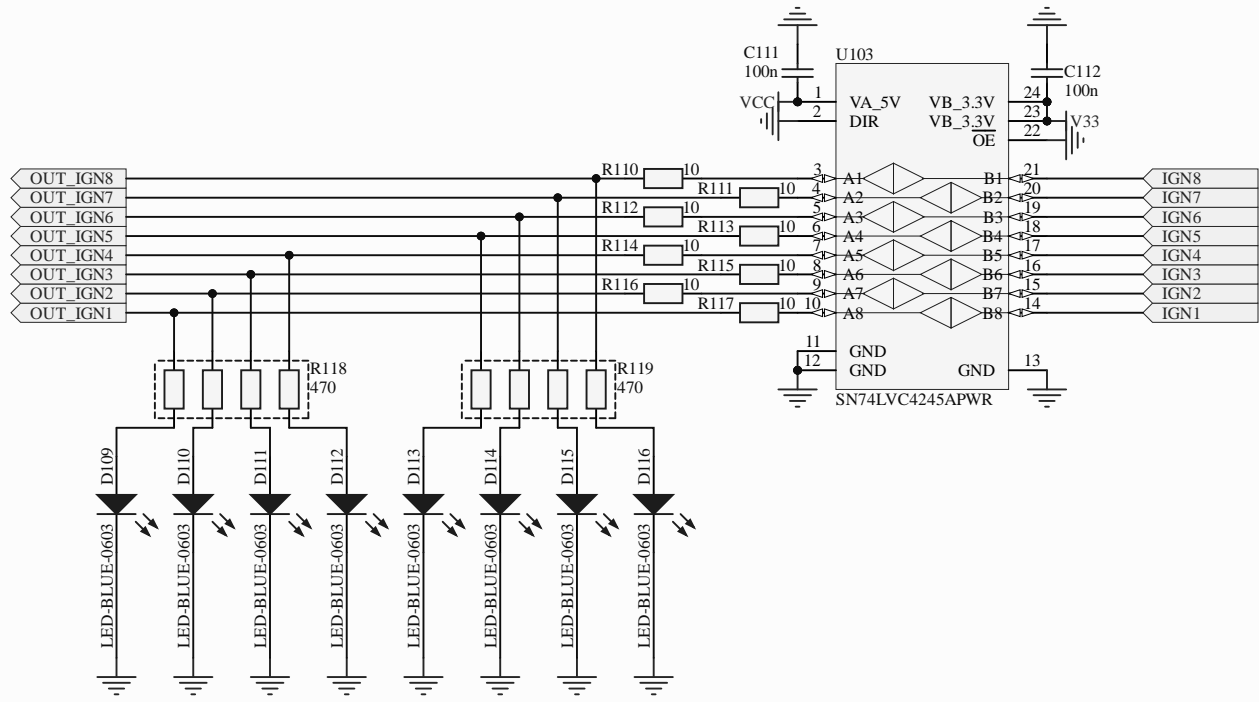
*A20-A23 are duplicated for ADC3
 *VIGN input is unprotected!
 *D5 is digital-only on F429! (EINT11)
 *A20-A22 are duplicated for COMP1/2

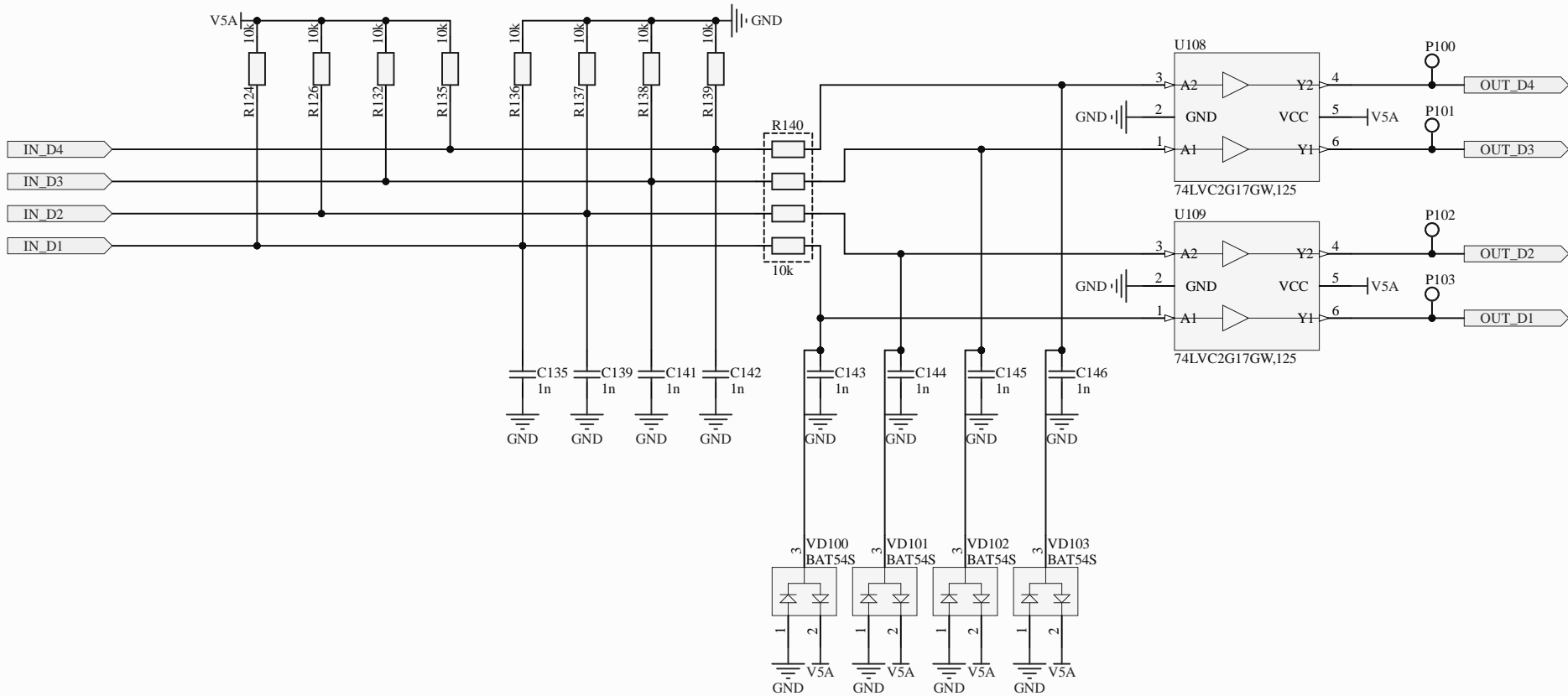


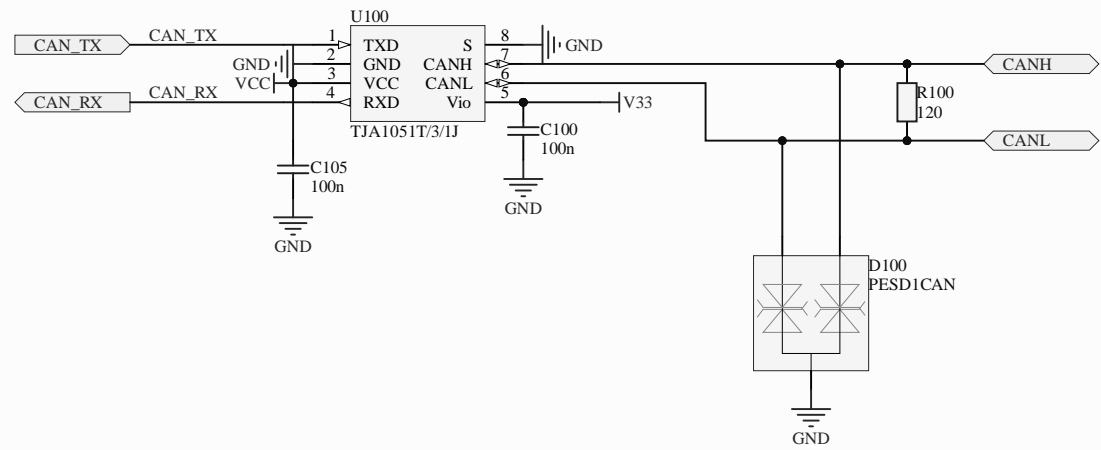
A
B
C
D
E
F
G
H

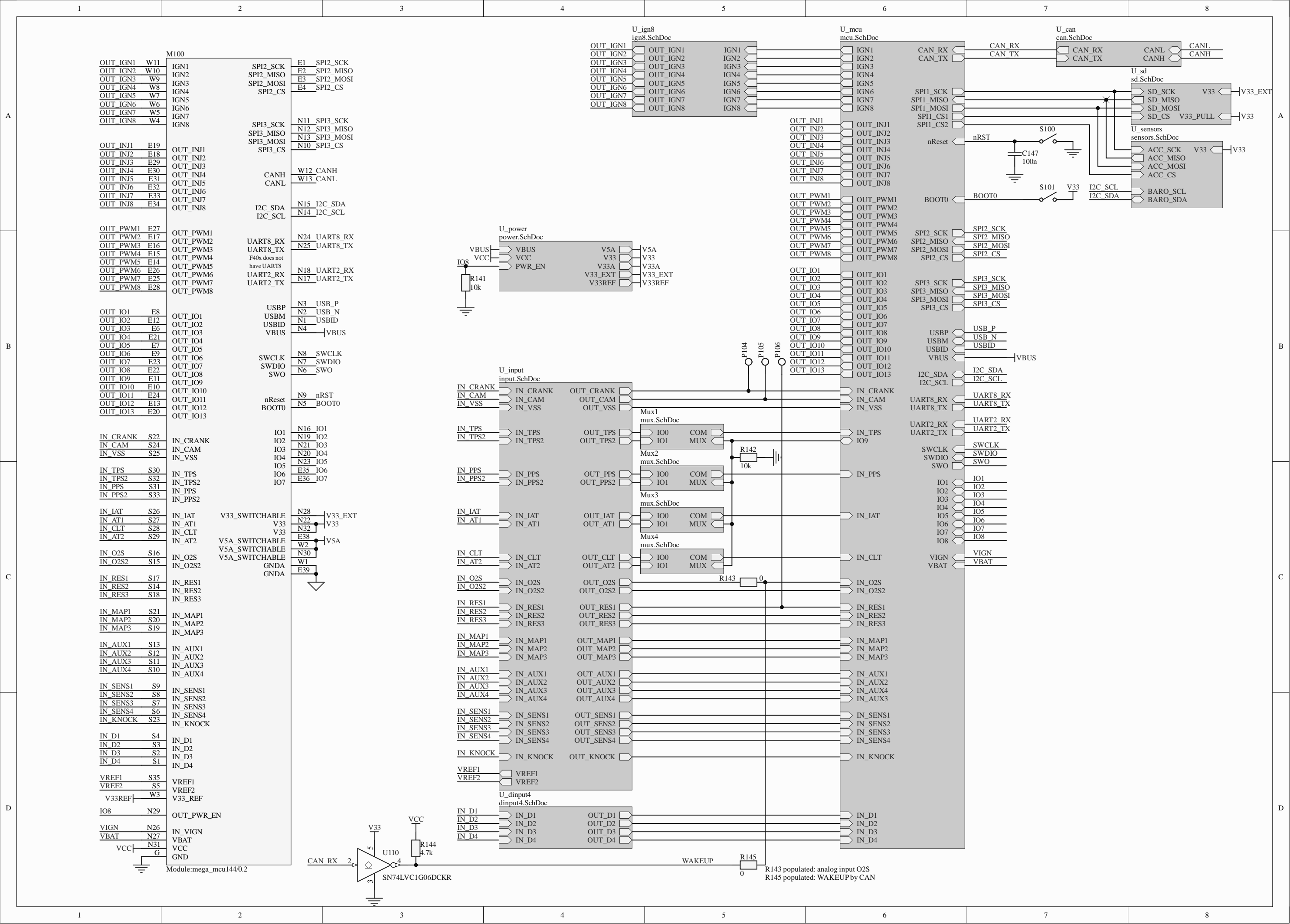
A
B
C
D
E
F
G
H



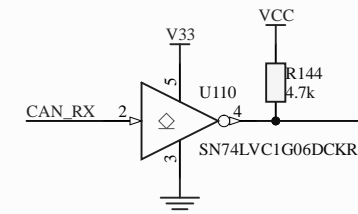








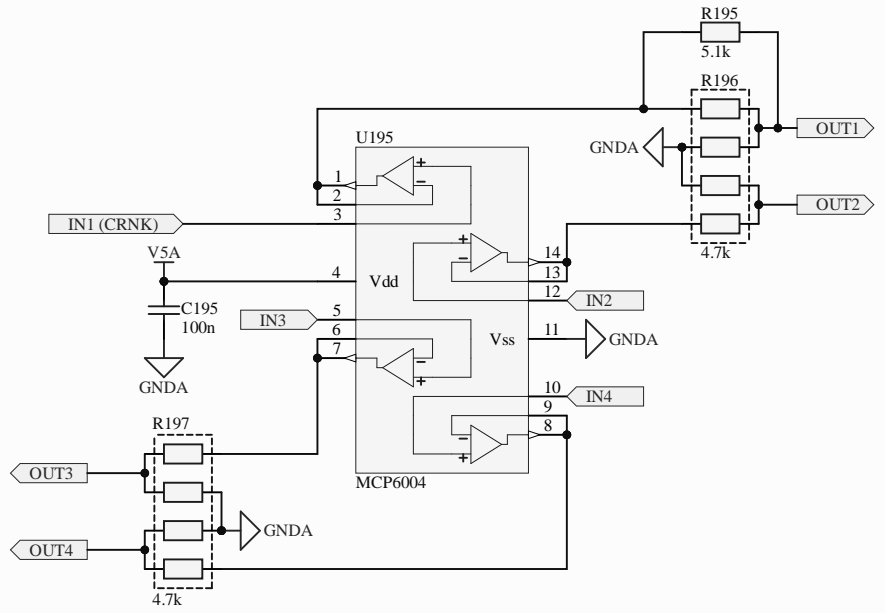
Pin	Label	Signal	Component
W11	IGN1	IGN1	U_ign8
W10	IGN2	IGN2	U_ign8
W9	IGN3	IGN3	U_ign8
W8	IGN4	IGN4	U_ign8
W7	IGN5	IGN5	U_ign8
W6	IGN6	IGN6	U_ign8
W5	IGN7	IGN7	U_ign8
W4	IGN8	IGN8	U_ign8
E19	OUT_INJ1	OUT_INJ1	U_mcu
E18	OUT_INJ2	OUT_INJ2	U_mcu
E29	OUT_INJ3	OUT_INJ3	U_mcu
E30	OUT_INJ4	OUT_INJ4	U_mcu
E31	OUT_INJ5	OUT_INJ5	U_mcu
E32	OUT_INJ6	OUT_INJ6	U_mcu
E33	OUT_INJ7	OUT_INJ7	U_mcu
E34	OUT_INJ8	OUT_INJ8	U_mcu
E27	OUT_PWM1	OUT_PWM1	U_mcu
E17	OUT_PWM2	OUT_PWM2	U_mcu
E16	OUT_PWM3	OUT_PWM3	U_mcu
E15	OUT_PWM4	OUT_PWM4	U_mcu
E14	OUT_PWM5	OUT_PWM5	U_mcu
E26	OUT_PWM6	OUT_PWM6	U_mcu
E25	OUT_PWM7	OUT_PWM7	U_mcu
E28	OUT_PWM8	OUT_PWM8	U_mcu
E8	OUT_IO1	OUT_IO1	U_mcu
E12	OUT_IO2	OUT_IO2	U_mcu
E6	OUT_IO3	OUT_IO3	U_mcu
E21	OUT_IO4	OUT_IO4	U_mcu
E7	OUT_IO5	OUT_IO5	U_mcu
E9	OUT_IO6	OUT_IO6	U_mcu
E23	OUT_IO7	OUT_IO7	U_mcu
E22	OUT_IO8	OUT_IO8	U_mcu
E11	OUT_IO9	OUT_IO9	U_mcu
E10	OUT_IO10	OUT_IO10	U_mcu
E24	OUT_IO11	OUT_IO11	U_mcu
E13	OUT_IO12	OUT_IO12	U_mcu
E20	OUT_IO13	OUT_IO13	U_mcu
S22	IN_CRANK	IN_CRANK	U_input
S24	IN_CAM	IN_CAM	U_input
S25	IN_VSS	IN_VSS	U_input
S30	IN_TPS	IN_TPS	U_input
S32	IN_TPS2	IN_TPS2	U_input
S31	IN_PPS	IN_PPS	U_input
S33	IN_PPS2	IN_PPS2	U_input
S26	IN_IAT	IN_IAT	U_input
S27	IN_AT1	IN_AT1	U_input
S28	IN_CLT	IN_CLT	U_input
S29	IN_AT2	IN_AT2	U_input
S16	IN_O2S	IN_O2S	U_input
S15	IN_O2S2	IN_O2S2	U_input
S17	IN_RES1	IN_RES1	U_input
S14	IN_RES2	IN_RES2	U_input
S18	IN_RES3	IN_RES3	U_input
S21	IN_MAP1	IN_MAP1	U_input
S20	IN_MAP2	IN_MAP2	U_input
S19	IN_MAP3	IN_MAP3	U_input
S13	IN_AUX1	IN_AUX1	U_input
S12	IN_AUX2	IN_AUX2	U_input
S11	IN_AUX3	IN_AUX3	U_input
S10	IN_AUX4	IN_AUX4	U_input
S9	IN_SENS1	IN_SENS1	U_input
S8	IN_SENS2	IN_SENS2	U_input
S7	IN_SENS3	IN_SENS3	U_input
S6	IN_SENS4	IN_SENS4	U_input
S23	IN_KNOCK	IN_KNOCK	U_input
S4	IN_D1	IN_D1	U_dinput4
S3	IN_D2	IN_D2	U_dinput4
S2	IN_D3	IN_D3	U_dinput4
S1	IN_D4	IN_D4	U_dinput4
S35	VREF1	VREF1	U_mcu
S5	VREF2	VREF2	U_mcu
W3	V33REF	V33_REF	U_mcu
N29	OUT_PWR_EN	OUT_PWR_EN	U_mcu
N26	IN_VIGN	IN_VIGN	U_mcu
N27	VBAT	VBAT	U_mcu
N31	VCC	VCC	U_mcu
G	GND	GND	U_mcu

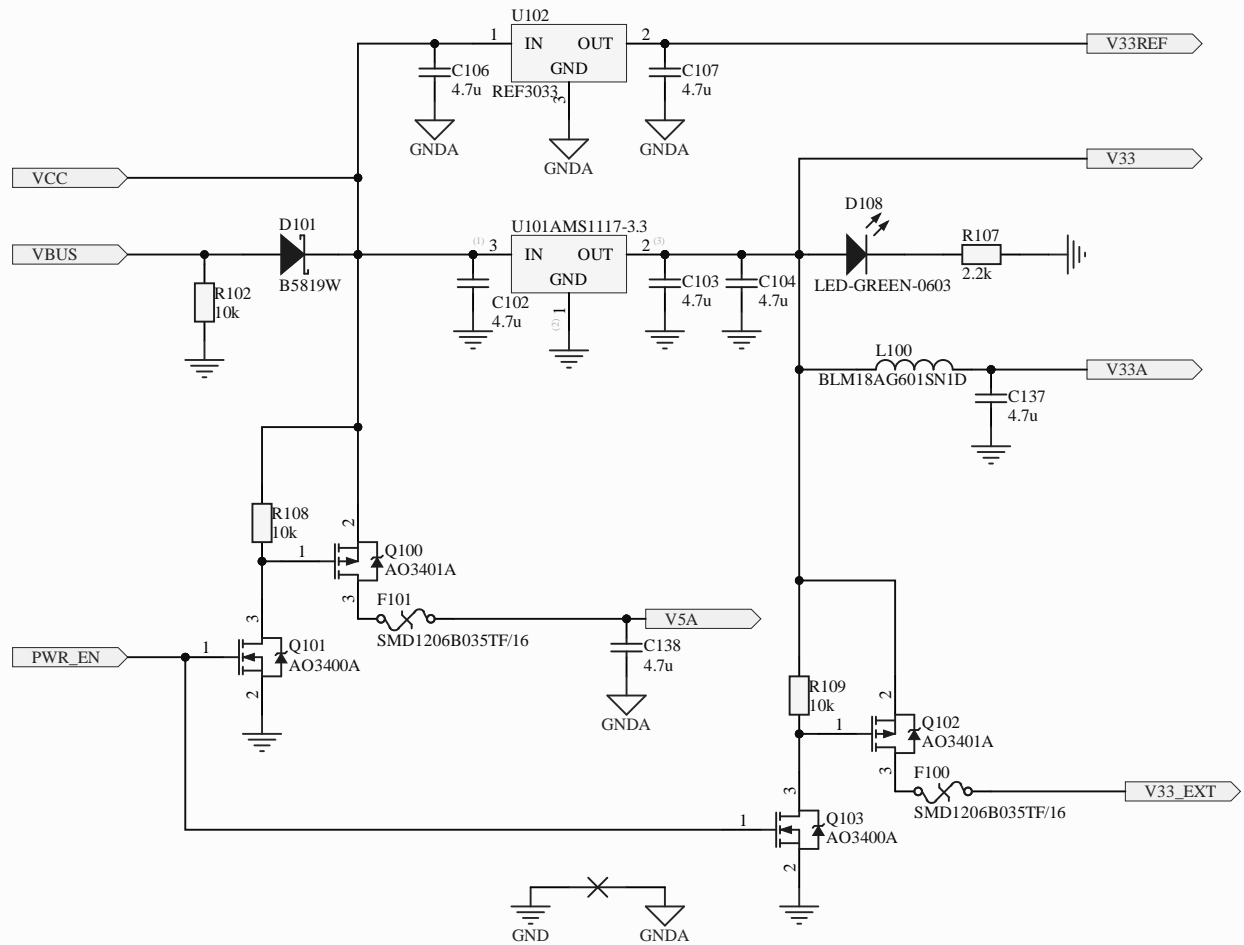


R143 populated: analog input O2S
R145 populated: WAKEUP by CAN

Module: mega_mcu144/0.2

More accurate threshold for "raw" connection of VR sensors





Title		
Size	Number	Revision
A4		
Date:	4.19.2023	Sheet of
File:	C:\Work\...\power.SchDoc	Drawn By:

