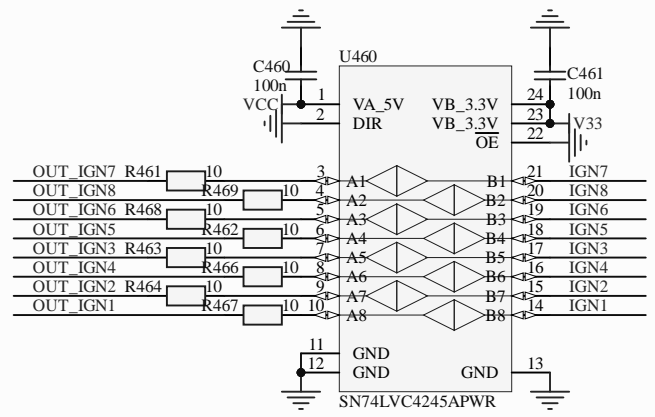
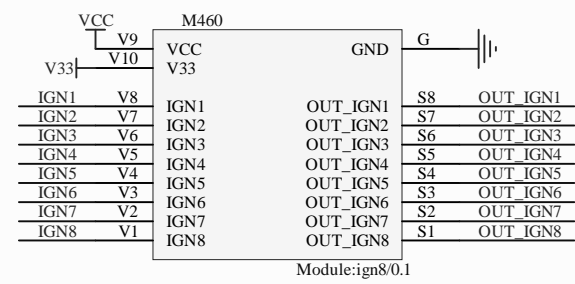


Sheet: /
 File: hellen1-vr-discrete.kicad_sch

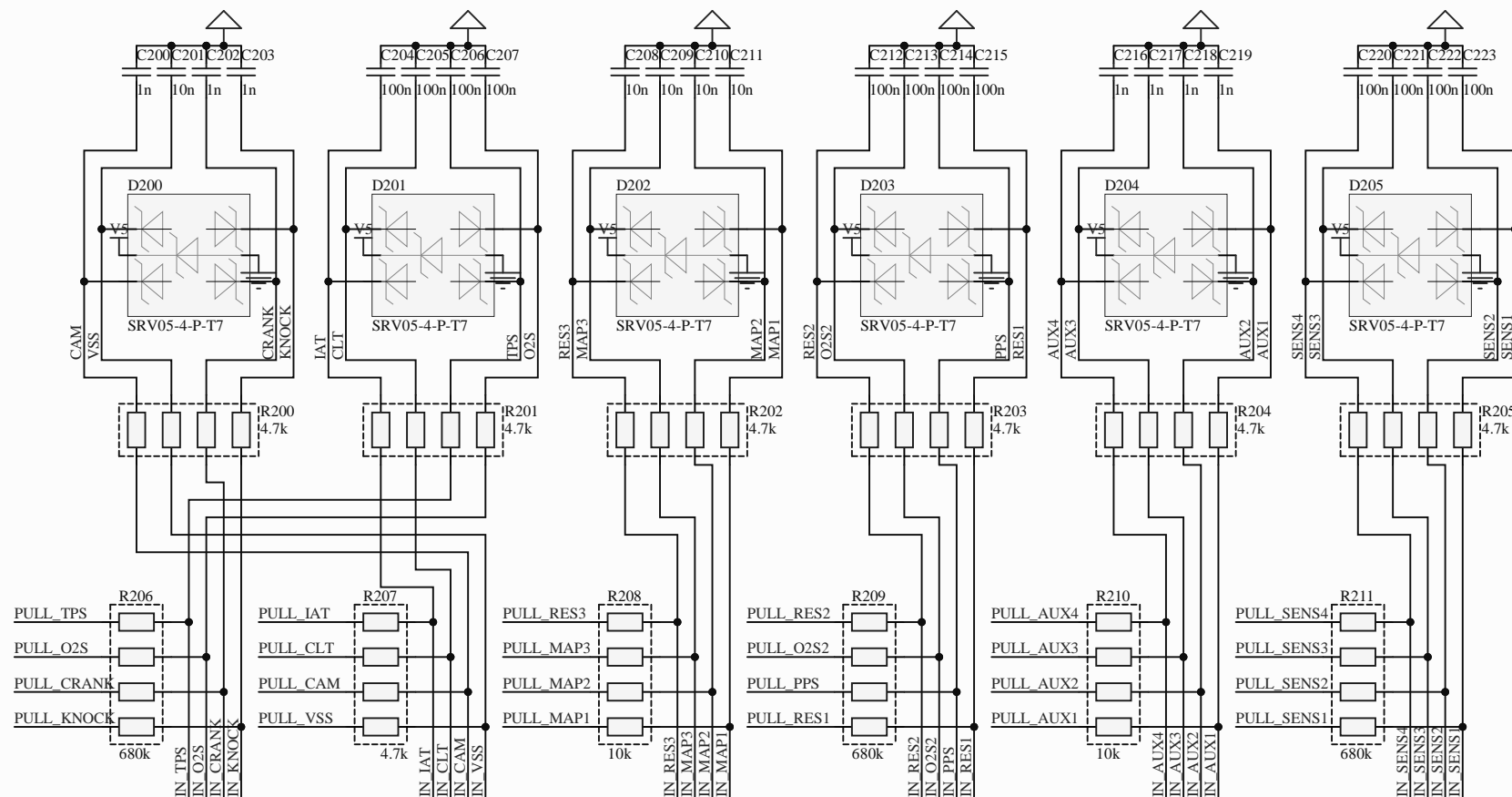
Title:
 Size: A4 Date:
 KiCad E.D.A. kicad (5.99.0-10483-ga6ad7a4a70)

Rev:
 Id: 1/1



M200D			
PULL_CRANK J21	PULL_CRANK	PULL_MAP1	J14 PULL_MAP1
PULL_CAM J17	PULL_CAM	PULL_MAP2	J13 PULL_MAP2
PULL_VSS J18	PULL_VSS	PULL_MAP3	J12 PULL_MAP3
PULL_TPS J19	PULL_TPS	PULL_AUX1	J10 PULL_AUX1
PULL_PPS J5	PULL_PPS	PULL_AUX2	J9 PULL_AUX2
PULL_IAT J15	PULL_IAT	PULL_AUX3	J8 PULL_AUX3
PULL_CLT J16	PULL_CLT	PULL_AUX4	J7 PULL_AUX4
PULL_O2S J20	PULL_O2S	PULL_SENS1	J26 PULL_SENS1
PULL_O2S2 J4	PULL_O2S2	PULL_SENS2	J25 PULL_SENS2
		PULL_SENS3	J24 PULL_SENS3
		PULL_SENS4	J23 PULL_SENS4
PULL_RES1 J6	PULL_RES1		
PULL_RES2 J3	PULL_RES2		
PULL_RES3 J11	PULL_RES3	PULL_KNOCK	J22 PULL_KNOCK

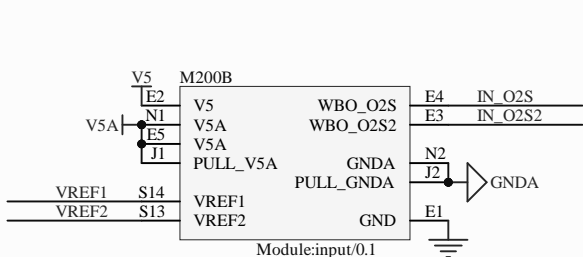
Module:input/0.1



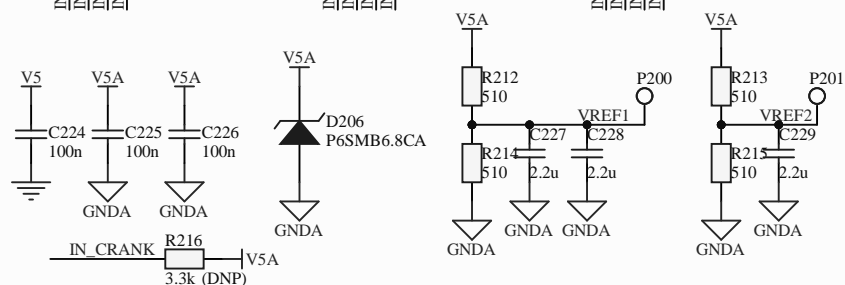
M200C		M200A	
IN_CRANK S8	IN_CRANK	N21 CRANK	CRANK
IN_CAM S5	IN_CAM	N19 CAM	CAM
IN_VSS S6	IN_VSS	N20 VSS	VSS
IN_TPS S10	IN_TPS	N17 TPS	TPS
IN_PPS S24	IN_PPS	N5 PPS	PPS
IN_IAT S16	IN_IAT	N15 IAT	IAT
IN_CLT S15	IN_CLT	N16 CLT	CLT
IN_O2S S9	IN_O2S	N18 O2S	O2S
IN_O2S2 S25	IN_O2S2	N4 O2S2	O2S2
IN_RES1 S23	IN_RES1	N6 RES1	RES1
IN_RES2 S26	IN_RES2	N3 RES2	RES2
IN_RES3 S22	IN_RES3	N11 RES3	RES3
IN_MAP1 S11	IN_MAP1	N14 MAP1	MAP1
IN_MAP2 S12	IN_MAP2	N13 MAP2	MAP2
IN_MAP3 S19	IN_MAP3	N12 MAP3	MAP3
IN_AUX1 S17	IN_AUX1	N10 AUX1	AUX1
IN_AUX2 S18	IN_AUX2	N9 AUX2	AUX2
IN_AUX3 S20	IN_AUX3	N8 AUX3	AUX3
IN_AUX4 S21	IN_AUX4	N7 AUX4	AUX4
IN_SENS1 S1	IN_SENS1	N26 SENS1	SENS1
IN_SENS2 S2	IN_SENS2	N25 SENS2	SENS2
IN_SENS3 S3	IN_SENS3	N24 SENS3	SENS3
IN_SENS4 S4	IN_SENS4	N23 SENS4	SENS4
IN_KNOCK S7	IN_KNOCK	N22 KNOCK	KNOCK

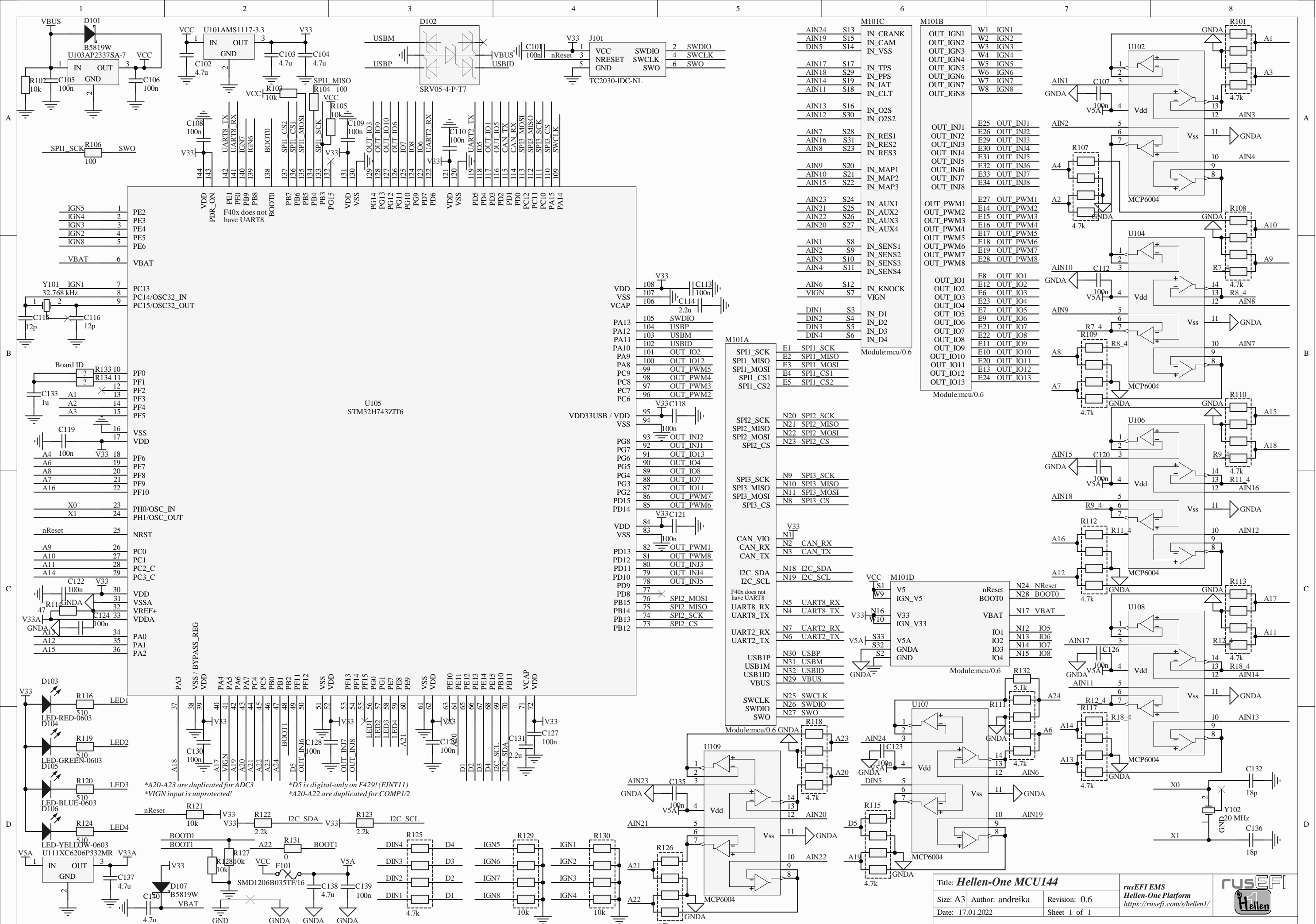
Module:input/0.1

Module:input/0.1



Module:input/0.1





IGN5	1	PE2	VDD_ON	144	143
IGN4	2	PE3	PE1	142	UART8_TX
IGN3	3	PE4	PE0	141	UART8_RX
IGN2	4	PE5	F40x does not have UART8	139	IGN6
IGN8	5	PE6	BOOT0	138	BOOT0
VBAT	6	VBAT	PB7	137	SPI1_CS2
			PB6	136	SPI1_CS1
			PB5	135	SPI1_MOSI
			PB4	134	SPI1_SCK
			PB3	133	SPI1_SCK
			PG15	132	SPI1_MISO
			VDD	130	VDD
			VSS	129	OUT_IO3
			PG14	128	OUT_IO9
			PG13	127	OUT_IO10
			PG12	126	OUT_IO6
			PG10	125	IO7
			PG9	124	IO8
			PD7	123	IO6
			PD6	122	UART2_RX
			VDD	120	VDD
			VSS	119	UART2_TX
			PD5	118	IO5
			PD4	117	OUT_IO1
			PD3	116	OUT_IO5
			PD2	115	CAN_TX
			PD1	114	CAN_RX
			PD0	113	SPI3_MOSI
			PC12	112	SPI3_MISO
			PC11	111	SPI3_SCK
			PC10	110	SPI3_CS
			PA15	109	SWCLK
			PA14	108	SWCLK

PF0	10	R133	PF1	11	R134
PF2	12		PF3	13	
PF4	14		PF5	15	
VSS	16		VDD	17	
A4	18	100n	V33	18	
A6	19		PF6	19	
A8	20		PF7	20	
A7	21		PF8	21	
A16	22		PF9	22	
			PF10	22	
X0	23		PH0/OSC_IN	23	
X1	24		PH1/OSC_OUT	24	
nReset	25		NRST	25	
A9	26		PC0	26	
A10	27		PC1	27	
A11	28		PC2_C	28	
A14	29		PC3_C	29	
VDD	30	100n	V33	30	
VSSA	31		VREF+	31	
VDDA	32		VDDA	32	
V33A	33	100n	V33A	33	
A13	34		PA0	34	
A12	35		PA1	35	
A15	36		PA2	36	

*A20-A23 are duplicated for ADC3
 *VIGN input is unprotected!
 *D5 is digital-only on F429!(EINT11)
 *A20-A22 are duplicated for COMP1/2

