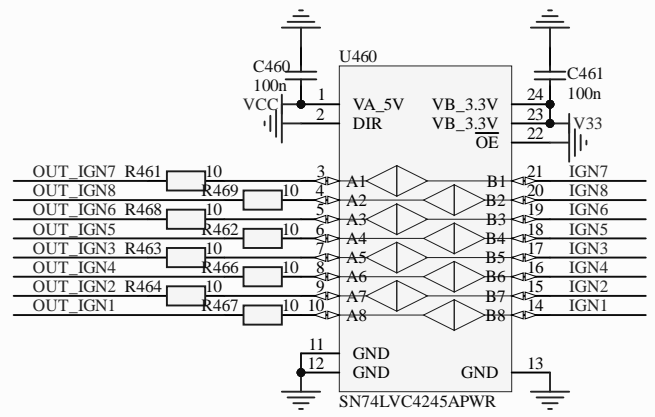
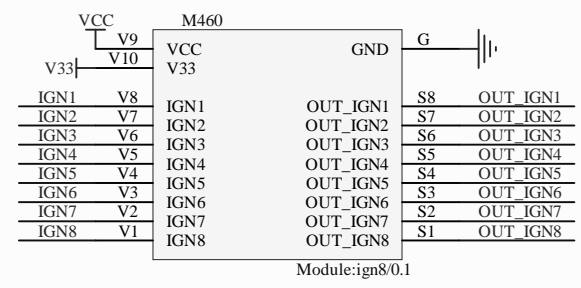
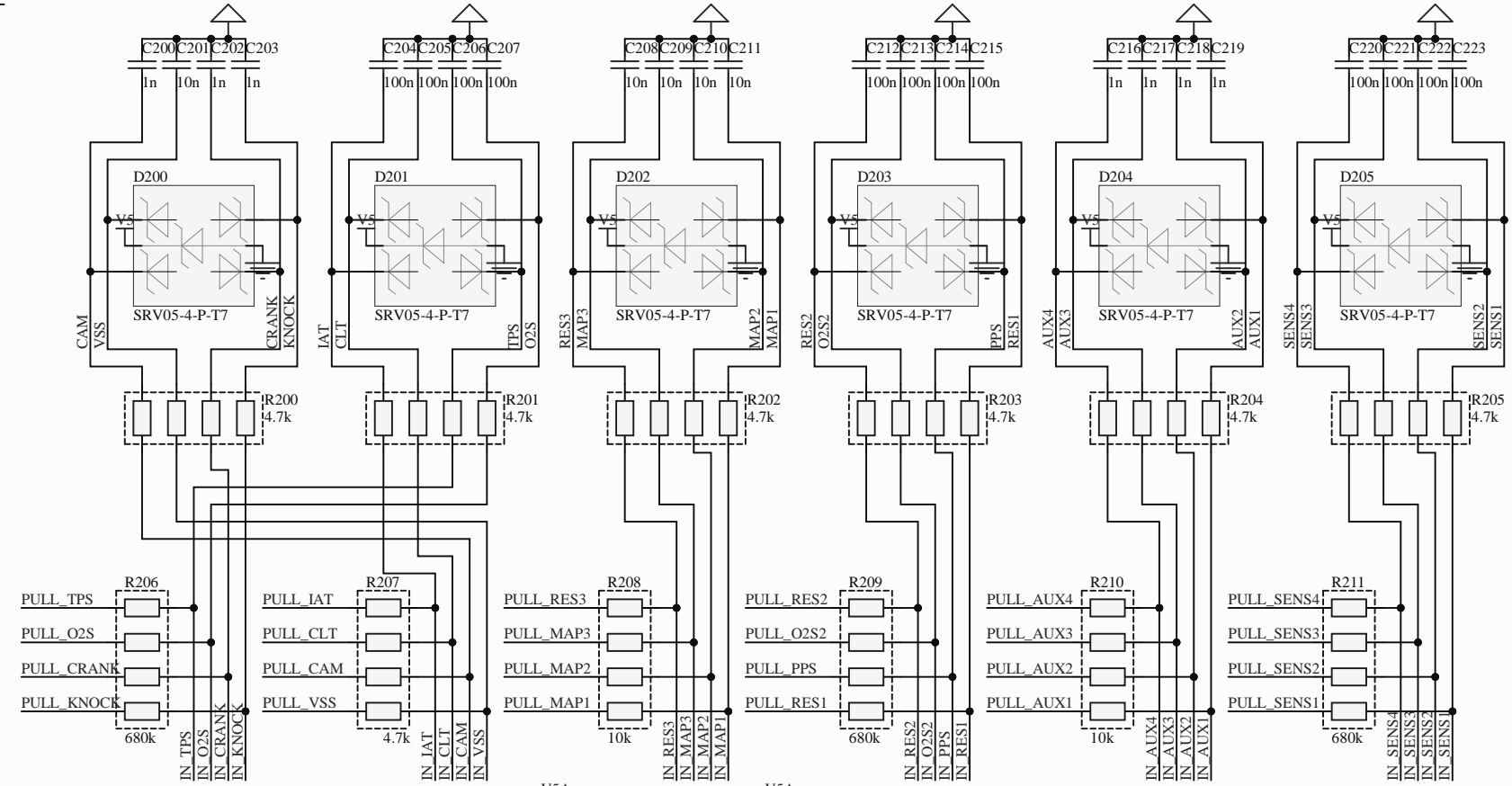


Sheet: /	
File: hellen1-vr-discrete.kicad_sch	
Title:	
Size: A4	Date:
KiCad E.D.A. kicad (5.99.0-10483-ga6ad7a4a70)	
Rev:	
Id: 1/1	



M200D			
PULL_CRANK J21	PULL_CRANK	PULL_MAP1	J14 PULL_MAP1
PULL_CAM J17	PULL_CAM	PULL_MAP2	J13 PULL_MAP2
PULL_VSS J18	PULL_VSS	PULL_MAP3	J12 PULL_MAP3
PULL_TPS J19	PULL_TPS	PULL_AUX1	J10 PULL_AUX1
PULL_PPS J5	PULL_PPS	PULL_AUX2	J9 PULL_AUX2
PULL_IAT J15	PULL_IAT	PULL_AUX3	J8 PULL_AUX3
PULL_CLT J16	PULL_CLT	PULL_AUX4	J7 PULL_AUX4
PULL_O2S J20	PULL_O2S	PULL_SENS1	J26 PULL_SENS1
PULL_O2S2 J4	PULL_O2S2	PULL_SENS2	J25 PULL_SENS2
		PULL_SENS3	J24 PULL_SENS3
		PULL_SENS4	J23 PULL_SENS4
PULL_RES1 J6	PULL_RES1		
PULL_RES2 J3	PULL_RES2		
PULL_RES3 J11	PULL_RES3	PULL_KNOCK	J22 PULL_KNOCK

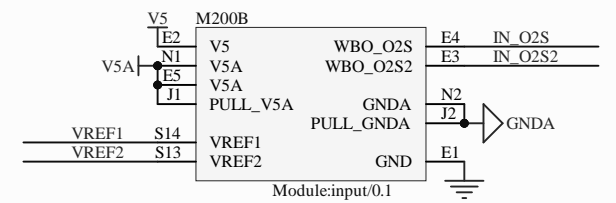
Module:input/0.1



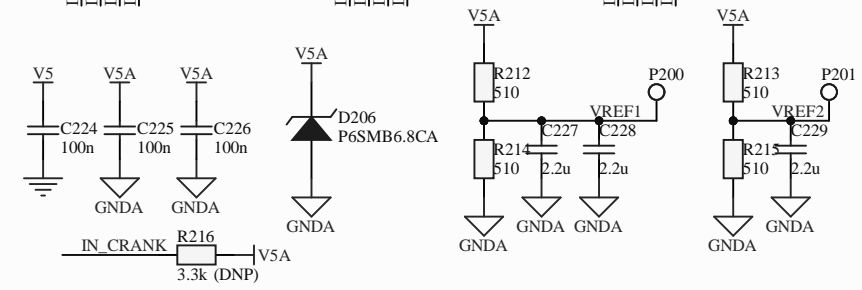
M200C		M200A	
IN_CRANK S8	IN_CRANK	N21 CRANK	CRANK
IN_CAM S5	IN_CAM	N19 CAM	CAM
IN_VSS S6	IN_VSS	N20 VSS	VSS
IN_TPS S10	IN_TPS	N17 TPS	TPS
IN_PPS S24	IN_PPS	N5 PPS	PPS
IN_IAT S16	IN_IAT	N15 IAT	IAT
IN_CLT S15	IN_CLT	N16 CLT	CLT
IN_O2S S9	IN_O2S	N18 O2S	O2S
IN_O2S2 S25	IN_O2S2	N4 O2S2	O2S2
IN_RES1 S23	IN_RES1	N6 RES1	RES1
IN_RES2 S26	IN_RES2	N3 RES2	RES2
IN_RES3 S22	IN_RES3	N11 RES3	RES3
IN_MAP1 S11	IN_MAP1	N14 MAP1	MAP1
IN_MAP2 S12	IN_MAP2	N13 MAP2	MAP2
IN_MAP3 S19	IN_MAP3	N12 MAP3	MAP3
IN_AUX1 S17	IN_AUX1	N10 AUX1	AUX1
IN_AUX2 S18	IN_AUX2	N9 AUX2	AUX2
IN_AUX3 S20	IN_AUX3	N8 AUX3	AUX3
IN_AUX4 S21	IN_AUX4	N7 AUX4	AUX4
IN_SENS1 S1	IN_SENS1	N26 SENS1	SENS1
IN_SENS2 S2	IN_SENS2	N25 SENS2	SENS2
IN_SENS3 S3	IN_SENS3	N24 SENS3	SENS3
IN_SENS4 S4	IN_SENS4	N23 SENS4	SENS4
IN_KNOCK S7	IN_KNOCK	N22 KNOCK	KNOCK

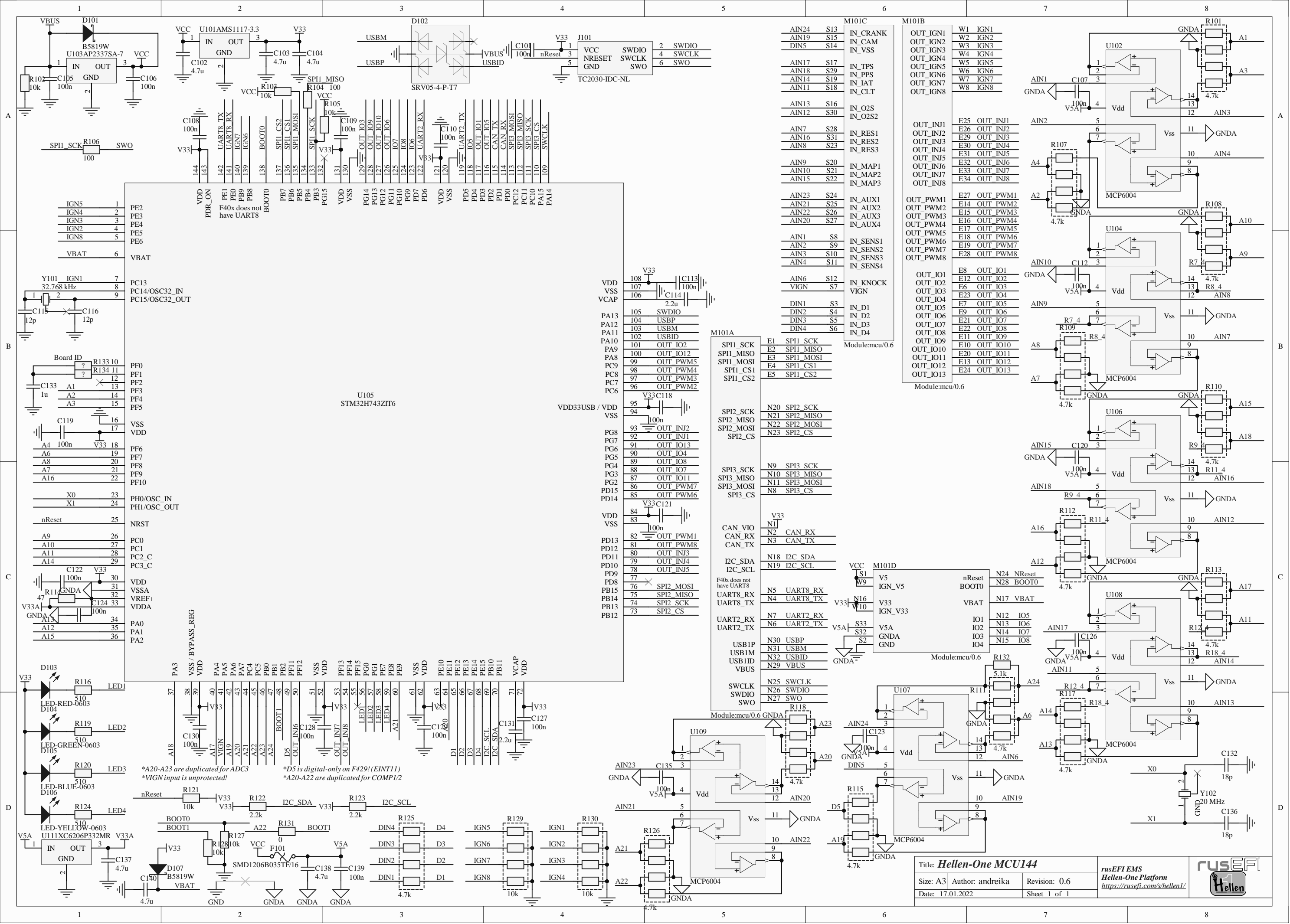
Module:input/0.1

Module:input/0.1



Module:input/0.1





IGN5	1	PE2	VDD_ON	144	143
IGN4	2	PE3	PDR_ON	142	141
IGN3	3	PE4	PE0	140	139
IGN2	4	PE5	F40x does not have UART8	138	137
IGN8	5	PE6	BOOT0	136	135
VBAT	6	VBAT	PB7	134	133
Y101_IGN1	7	PC13	PB6	132	131
PC14/OSC32_IN	8	PC15/OSC32_OUT	PB5	130	129
PC15/OSC32_OUT	9		PB4	128	127
PF0	10	PF1	PB3	126	125
PF1	11	PF2	PB2	124	123
PF2	12	PF3	PB1	122	121
PF3	13	PF4	PG14	120	119
PF4	14	PF5	PG13	118	117
PF5	15	VSS	PG12	116	115
VSS	16	VDD	PG11	114	113
VDD	17		PG10	112	111
A4	18	A6	PG9	110	109
A6	19	A8	PD5	108	107
A8	20	A7	PD4	106	105
A7	21	A16	PD3	104	103
A16	22	X0	PD2	102	101
X0	23	X1	PD1	100	99
PH0/OSC_IN	24	PH1/OSC_OUT	PD0	98	97
NRST	25		PC8	96	95
PC0	26	PC1	PC7	94	93
PC1	27	PC2_C	PC6	92	91
PC2_C	28	PC3_C	PG8	90	89
PC3_C	29	VDD	PG7	88	87
VDD	30	VSSA	PG6	86	85
VSSA	31	VREF+	PG5	84	83
VREF+	32	VDDA	PG4	82	81
VDDA	33	PA0	PG3	80	79
PA0	34	PA1	PG2	78	77
PA1	35	PA2	PD15	76	75
PA2	36		PD14	74	73
			PD13	72	71
			PD12	70	69
			PD11	68	67
			PD10	66	65
			PD9	64	63
			PD8	62	61
			PD7	60	59
			PD6	58	57
			PD5	56	55
			PD4	54	53
			PD3	52	51
			PD2	50	49
			PD1	48	47
			PD0	46	45
			PC5	44	43
			PC4	42	41
			PC3	40	39
			PC2	38	37
			PC1	36	35
			PC0	34	33
			PB15	32	31
			PB14	30	29
			PB13	28	27
			PB12	26	25
			PB11	24	23
			PB10	22	21
			PB9	20	19
			PB8	18	17
			PB7	16	15
			PB6	14	13
			PB5	12	11
			PB4	10	9
			PB3	8	7
			PB2	6	5
			PB1	4	3
			PB0	2	1

PA3	37	VSS / BYPASS_REG	PA4	40	VDD
VSS / BYPASS_REG	38	VDD	PA5	41	VIGN
VDD	39		PA6	42	PA7
PA4	40	PA5	PA8	43	PA9
PA5	41	PA6	PA10	44	PC5
PA6	42	PA7	PA11	45	PC6
PA7	43	PA8	PA12	46	PC7
PA8	44	PA9	PA13	47	PC8
PA9	45	PC5	PA14	48	PC9
PC5	46	PC6	PA15	49	PC10
PC6	47	PC7	PC11	50	PC11
PC7	48	PC8	PC12	51	PC12
PC8	49	PC9	PC13	52	PC13
PC9	50	PC10	PC14	53	PC14
PC10	51	PC11	PC15	54	PC15
PC11	52	PC12	PC16	55	PC16
PC12	53	PC13	PC17	56	PC17
PC13	54	PC14	PC18	57	PC18
PC14	55	PC15	PC19	58	PC19
PC15	56	PC16	PC20	59	PC20
PC16	57	PC17	PC21	60	PC21
PC17	58	PC18	PC22	61	PC22
PC18	59	PC19	PC23	62	PC23
PC19	60	PC20	PC24	63	PC24
PC20	61	PC21	PC25	64	PC25
PC21	62	PC22	PC26	65	PC26
PC22	63	PC23	PC27	66	PC27
PC23	64	PC24	PC28	67	PC28
PC24	65	PC25	PC29	68	PC29
PC25	66	PC26	PC30	69	PC30
PC26	67	PC27	PC31	70	PC31
PC27	68	PC28	PC32	71	PC32
PC28	69	PC29	PC33	72	PC33
PC29	70	PC30	PC34	73	PC34
PC30	71	PC31	PC35	74	PC35
PC31	72	PC32	PC36	75	PC36
PC32	73	PC33	PC37	76	PC37
PC33	74	PC34	PC38	77	PC38
PC34	75	PC35	PC39	78	PC39
PC35	76	PC36	PC40	79	PC40
PC36	77	PC37	PC41	80	PC41
PC37	78	PC38	PC42	81	PC42
PC38	79	PC39	PC43	82	PC43
PC39	80	PC40	PC44	83	PC44
PC40	81	PC41	PC45	84	PC45
PC41	82	PC42	PC46	85	PC46
PC42	83	PC43	PC47	86	PC47
PC43	84	PC44	PC48	87	PC48
PC44	85	PC45	PC49	88	PC49
PC45	86	PC46	PC50	89	PC50
PC46	87	PC47	PC51	90	PC51
PC47	88	PC48	PC52	91	PC52
PC48	89	PC49	PC53	92	PC53
PC49	90	PC50	PC54	93	PC54
PC50	91	PC51	PC55	94	PC55
PC51	92	PC52	PC56	95	PC56
PC52	93	PC53	PC57	96	PC57
PC53	94	PC54	PC58	97	PC58
PC54	95	PC55	PC59	98	PC59
PC55	96	PC56	PC60	99	PC60
PC56	97	PC57	PC61	100	PC61
PC57	98	PC58	PC62	101	PC62
PC58	99	PC59	PC63	102	PC63
PC59	100	PC60	PC64	103	PC64
PC60	101	PC61	PC65	104	PC65
PC61	102	PC62	PC66	105	PC66
PC62	103	PC63	PC67	106	PC67
PC63	104	PC64	PC68	107	PC68
PC64	105	PC65	PC69	108	PC69
PC65	106	PC66	PC70	109	PC70
PC66	107	PC67	PC71	110	PC71
PC67	108	PC68	PC72	111	PC72
PC68	109	PC69	PC73	112	PC73
PC69	110	PC70	PC74	113	PC74
PC70	111	PC71	PC75	114	PC75
PC71	112	PC72	PC76	115	PC76
PC72	113	PC73	PC77	116	PC77
PC73	114	PC74	PC78	117	PC78
PC74	115	PC75	PC79	118	PC79
PC75	116	PC76	PC80	119	PC80
PC76	117	PC77	PC81	120	PC81
PC77	118	PC78	PC82	121	PC82
PC78	119	PC79	PC83	122	PC83
PC79	120	PC80	PC84	123	PC84
PC80	121	PC81	PC85	124	PC85
PC81	122	PC82	PC86	125	PC86
PC82	123	PC83	PC87	126	PC87
PC83	124	PC84	PC88	127	PC88
PC84	125	PC85	PC89	128	PC89
PC85	126	PC86	PC90	129	PC90
PC86	127	PC87	PC91	130	PC91
PC87	128	PC88	PC92	131	PC92
PC88	129	PC89	PC93	132	PC93
PC89	130	PC90	PC94	133	PC94
PC90	131	PC91	PC95	134	PC95
PC91	132	PC92	PC96	135	PC96
PC92	133	PC93	PC97	136	PC97
PC93	134	PC94	PC98	137	PC98
PC94	135	PC95	PC99	138	PC99
PC95	136	PC96	PC100	139	PC100
PC96	137	PC97	PC101	140	PC101
PC97	138	PC98	PC102	141	PC102
PC98	139	PC99	PC103	142	PC103
PC99	140	PC100	PC104	143	PC104
PC100	141	PC101	PC105	144	PC105

*A20-A23 are duplicated for ADC3
 *VIGN input is unprotected!
 *D5 is digital-only on F429! (EINT11)
 *A20-A22 are duplicated for COMP1/2

