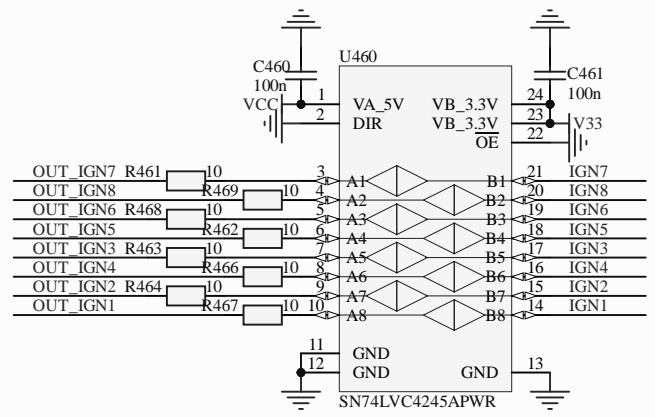
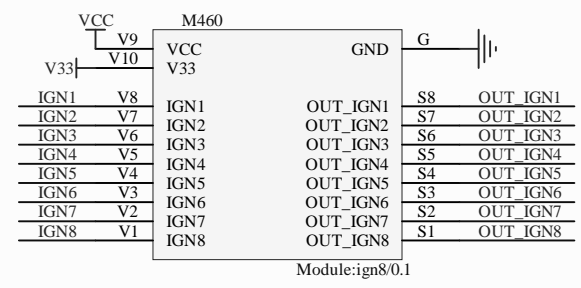


Sheet: /
 File: hellen1-vr-discrete.kicad_sch

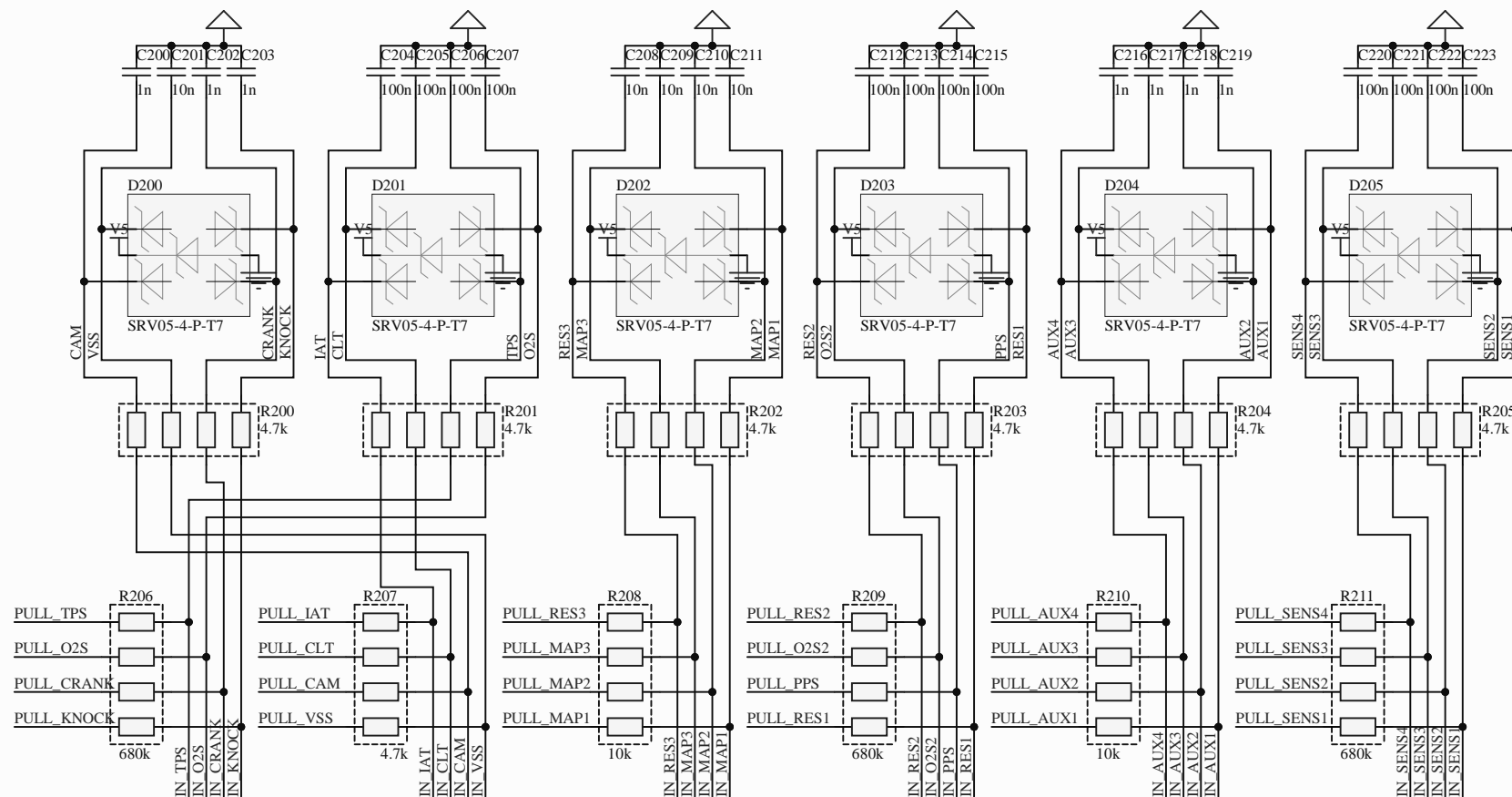
Title:
 Size: A4 Date:
 KiCad E.D.A. kicad (5.99.0-10483-ga6ad7a4a70)

Rev:
 Id: 1/1



M200D			
PULL_CRANK J21	PULL_CRANK	PULL_MAP1	J14 PULL_MAP1
PULL_CAM J17	PULL_CAM	PULL_MAP2	J13 PULL_MAP2
PULL_VSS J18	PULL_VSS	PULL_MAP3	J12 PULL_MAP3
PULL_TPS J19	PULL_TPS	PULL_AUX1	J10 PULL_AUX1
PULL_PPS J5	PULL_PPS	PULL_AUX2	J9 PULL_AUX2
PULL_IAT J15	PULL_IAT	PULL_AUX3	J8 PULL_AUX3
PULL_CLT J16	PULL_CLT	PULL_AUX4	J7 PULL_AUX4
PULL_O2S J20	PULL_O2S	PULL_SENS1	J26 PULL_SENS1
PULL_O2S2 J4	PULL_O2S2	PULL_SENS2	J25 PULL_SENS2
		PULL_SENS3	J24 PULL_SENS3
		PULL_SENS4	J23 PULL_SENS4
PULL_RES1 J6	PULL_RES1		
PULL_RES2 J3	PULL_RES2		
PULL_RES3 J11	PULL_RES3	PULL_KNOCK	J22 PULL_KNOCK

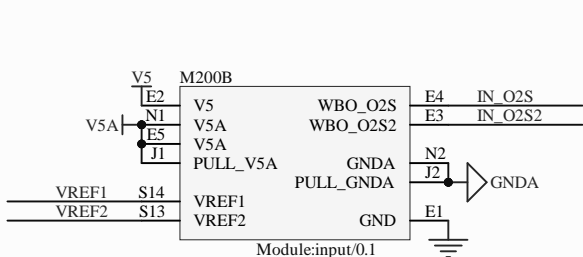
Module:input/0.1



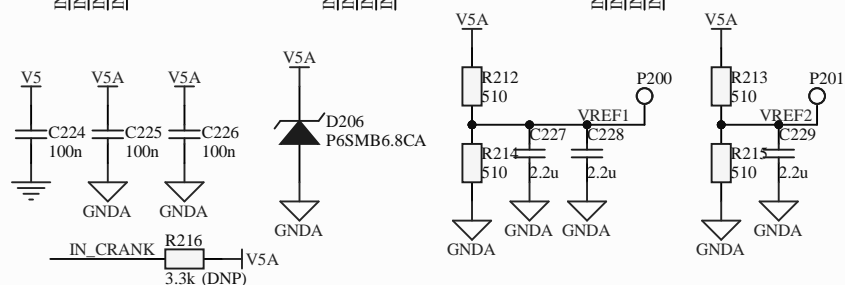
M200C		M200A	
IN_CRANK S8	IN_CRANK	N21 CRANK	CRANK
IN_CAM S5	IN_CAM	N19 CAM	CAM
IN_VSS S6	IN_VSS	N20 VSS	VSS
IN_TPS S10	IN_TPS	N17 TPS	TPS
IN_PPS S24	IN_PPS	N5 PPS	PPS
IN_IAT S16	IN_IAT	N15 IAT	IAT
IN_CLT S15	IN_CLT	N16 CLT	CLT
IN_O2S S9	IN_O2S	N18 O2S	O2S
IN_O2S2 S25	IN_O2S2	N4 O2S2	O2S2
IN_RES1 S23	IN_RES1	N6 RES1	RES1
IN_RES2 S26	IN_RES2	N3 RES2	RES2
IN_RES3 S22	IN_RES3	N11 RES3	RES3
IN_MAP1 S11	IN_MAP1	N14 MAP1	MAP1
IN_MAP2 S12	IN_MAP2	N13 MAP2	MAP2
IN_MAP3 S19	IN_MAP3	N12 MAP3	MAP3
IN_AUX1 S17	IN_AUX1	N10 AUX1	AUX1
IN_AUX2 S18	IN_AUX2	N9 AUX2	AUX2
IN_AUX3 S20	IN_AUX3	N8 AUX3	AUX3
IN_AUX4 S21	IN_AUX4	N7 AUX4	AUX4
IN_SENS1 S1	IN_SENS1	N26 SENS1	SENS1
IN_SENS2 S2	IN_SENS2	N25 SENS2	SENS2
IN_SENS3 S3	IN_SENS3	N24 SENS3	SENS3
IN_SENS4 S4	IN_SENS4	N23 SENS4	SENS4
IN_KNOCK S7	IN_KNOCK	N22 KNOCK	KNOCK

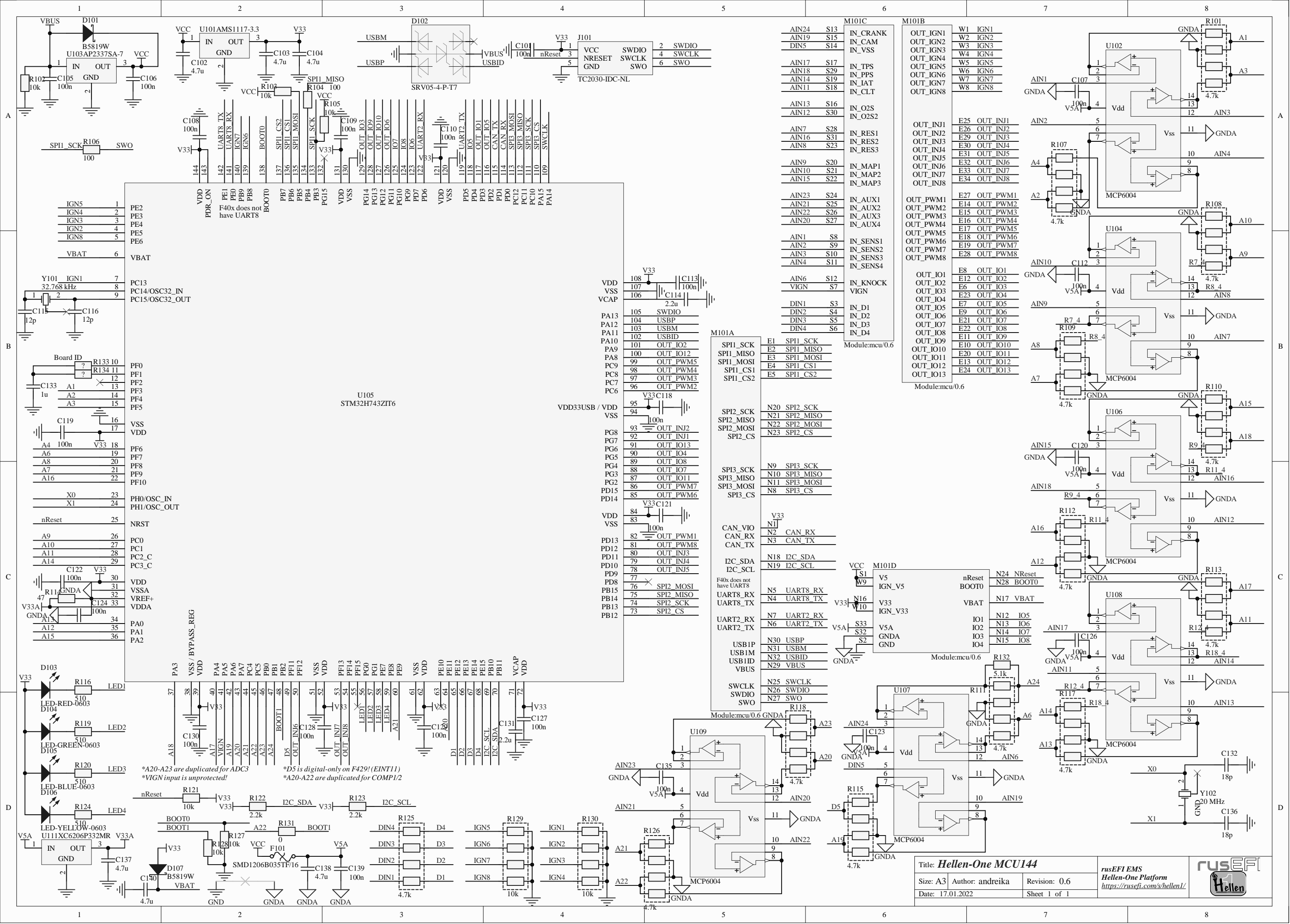
Module:input/0.1

Module:input/0.1



Module:input/0.1





IGN5	1	PE2	VDD_ON	144	143
IGN4	2	PE3	PE1	142	UART8_TX
IGN3	3	PE4	PE0	141	UART8_RX
IGN2	4	PE5	F40x does not have UART8	140	IGN7
IGN8	5	PE6	PB8	139	IGN6
VBAT	6	VBAT	BOOT0	138	BOOT0
Y101_IGN1	7	PC13	PB7	137	SPI1_CS2
PC14/OSC32_IN	8	PC15/OSC32_OUT	PB6	136	SPI1_CS1
PC15/OSC32_OUT	9		PB5	135	SPI1_MOSI
			PB4	134	SPI1_SCK
			PB3	133	SPI1_MISO
			PG15	132	V33
			VDD	131	V33
			VSS	130	V33
			PG14	129	OUT_IO3
			PG13	128	OUT_IO9
			PG12	127	OUT_IO10
			PG11	126	OUT_IO6
			PG10	125	IO7
			PG9	124	IO8
			PD7	123	IO6
			PD6	122	UART2_RX
			VDD	121	V33
			VSS	120	V33
			PD5	119	UART2_TX
			PD4	118	IO5
			PD3	117	OUT_IO1
			PD2	116	OUT_IO5
			PD1	115	CAN_TX
			PD0	114	CAN_RX
			PC12	113	SPI3_MOSI
			PC11	112	SPI3_MISO
			PC10	111	SPI3_SCK
			PC9	110	SPI3_CS
			PA15	109	SWCLK
			PA14	108	SWDIO
			PA13	107	VSS
			PA12	106	VCAP
			PA11	105	SWDIO
			PA10	104	USBP
			PA9	103	USBM
			PA8	102	USBID
			PA7	101	OUT_IO2
			PC9	99	OUT_PWM5
			PC8	98	OUT_PWM4
			PC7	97	OUT_PWM3
			PC6	96	OUT_PWM2
			VDD	95	V33
			VSS	94	V33
			PG8	93	OUT_INJ2
			PG7	92	OUT_INJ1
			PG6	91	OUT_IO13
			PG5	90	OUT_IO4
			PG4	89	OUT_IO8
			PG3	88	OUT_IO7
			PG2	87	OUT_IO11
			PD15	86	OUT_PWM7
			PD14	85	OUT_PWM6
			VDD	84	V33
			VSS	83	V33
			PD13	82	OUT_PWM1
			PD12	81	OUT_PWM8
			PD11	80	OUT_INJ3
			PD10	79	OUT_INJ4
			PD9	78	OUT_INJ5
			PD8	77	SPI2_MOSI
			PB15	76	SPI2_MISO
			PB14	75	SPI2_SCK
			PB13	74	SPI2_CS
			PB12	73	SPI2_CS

PA3	37	VSS / BYPASS_REG	PA4	38	VDD
PA5	39	VDD	PA6	40	V33
PA7	41	VIGN	PA8	42	V33
PA9	43	V33	PA10	44	V33
PA11	45	V33	PA12	46	V33
PA13	47	V33	PA14	48	V33
PA15	49	V33	PA16	50	V33
PA17	51	V33	PA18	52	V33
PA19	53	V33	PA20	54	V33
PA21	55	V33	PA22	56	V33
PA23	57	V33	PA24	58	V33
PA25	59	V33	PA26	60	V33
PA27	61	V33	PA28	62	V33
PA29	63	V33	PA30	64	V33
PA31	65	V33	PA32	66	V33
PA33	67	V33	PA34	68	V33
PA35	69	V33	PA36	70	V33
PA37	71	V33	PA38	72	V33
PA39	73	V33	PA40	74	V33
PA41	75	V33	PA42	76	V33
PA43	77	V33	PA44	78	V33
PA45	79	V33	PA46	80	V33
PA47	81	V33	PA48	82	V33
PA49	83	V33	PA50	84	V33
PA51	85	V33	PA52	86	V33
PA53	87	V33	PA54	88	V33
PA55	89	V33	PA56	90	V33
PA57	91	V33	PA58	92	V33
PA59	93	V33	PA60	94	V33
PA61	95	V33	PA62	96	V33
PA63	97	V33	PA64	98	V33
PA65	99	V33	PA66	100	V33

*A20-A23 are duplicated for ADC3
 *VIGN input is unprotected!
 *D5 is digital-only on F429! (EINT11)
 *A20-A22 are duplicated for COMP1/2

