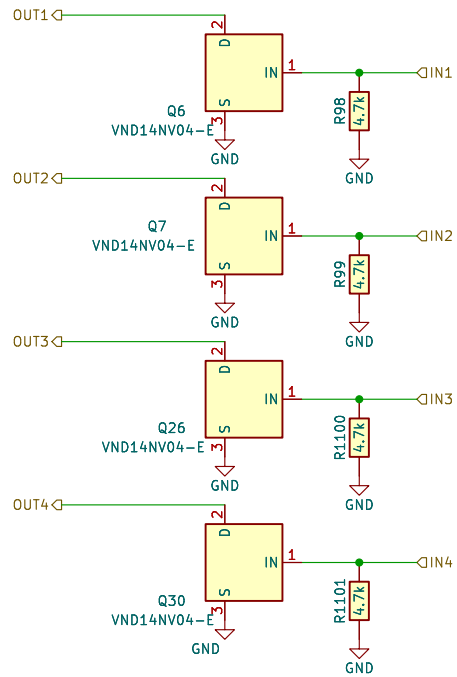


Занулить резисторы HALL

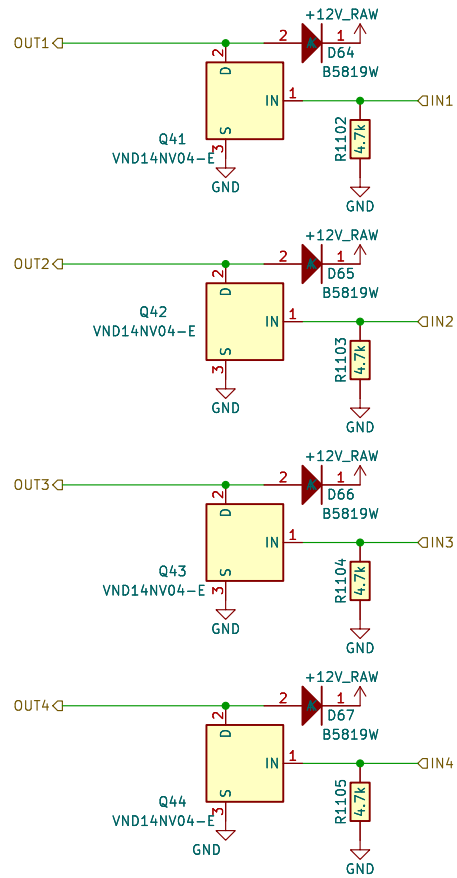


Sheet: /INJ/  
 File: INJ4.kicad\_sch

**Title:**

Size: A4 Date:  
 KiCad E.D.A. kicad 7.0.1-115-g2ece2719d0

**Rev:**  
 Id: 3/14

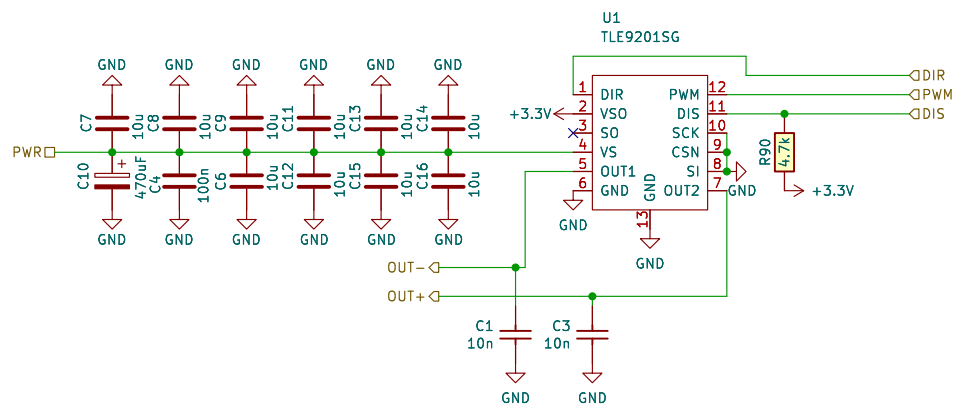


Sheet: /LS1/  
 File: LS4.kicad\_sch

**Title:**

Size: A4 Date:  
 KiCad E.D.A. kicad 7.0.1-115-g2ece2719d0

**Rev:**  
 Id: 4/14

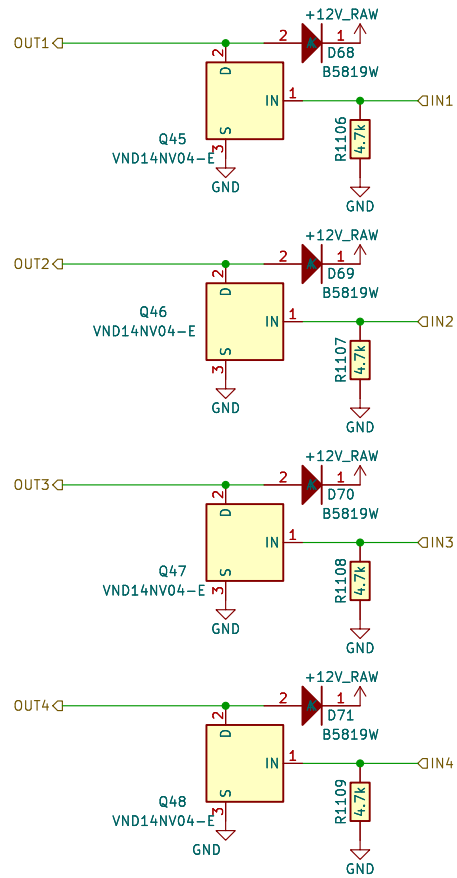


Sheet: /ETB/  
 File: ETB.kicad\_sch

**Title:**

Size: A4 Date:  
 KiCad E.D.A. kicad 7.0.1-115-g2ece2719d0

**Rev:**  
 Id: 5/14



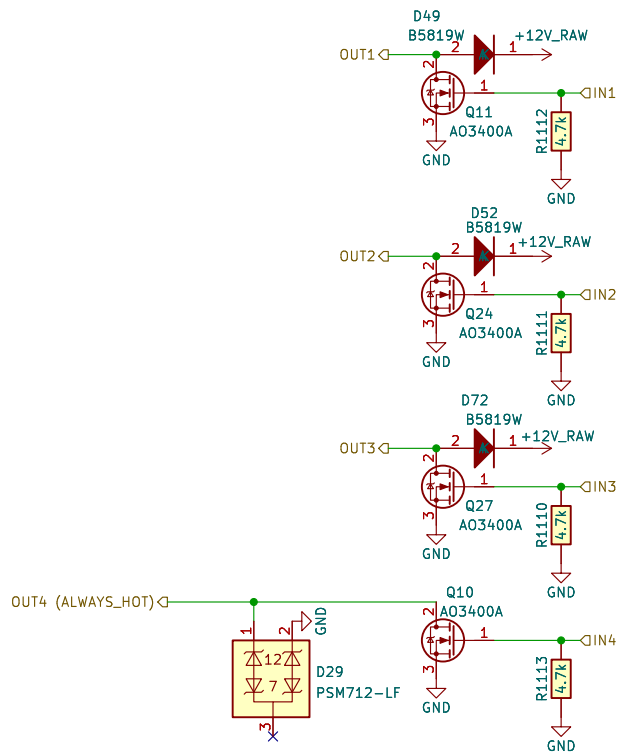
Sheet: /LS2/  
 File: LS4.kicad\_sch

**Title:**

Size: A4  
 KiCad E.D.A. kicad 7.0.1-115-g2ece2719d0

Date:

Rev:  
 Id: 6/14

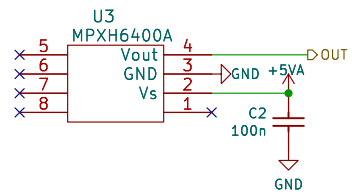


Sheet: /LS\_weak/  
 File: LS\_weak.kicad\_sch

**Title:**

Size: A4      Date:  
 KiCad E.D.A. kicad 7.0.1-115-g2ece2719d0

**Rev:**  
 Id: 7/14



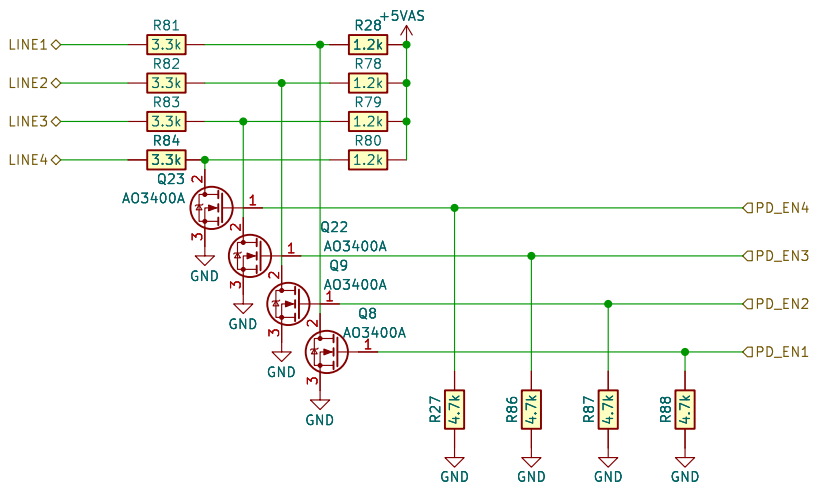
Sheet: /MAP/  
File: MAP.kicad\_sch

**Title:**

Size: A4 Date: KiCad E.D.A. kicad 7.0.1-115-g2ece2719d0

Rev: Id: 8/14

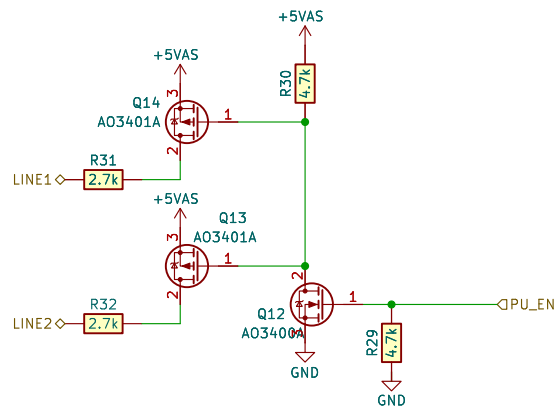




Sheet: /OPT\_PULLDOWNS1/  
 File: PD4.kicad\_sch

**Title:**

Size: A4	Date:	Rev:
KiCad E.D.A. kicad 7.0.1-115-g2ece2719d0		Id: 9/14

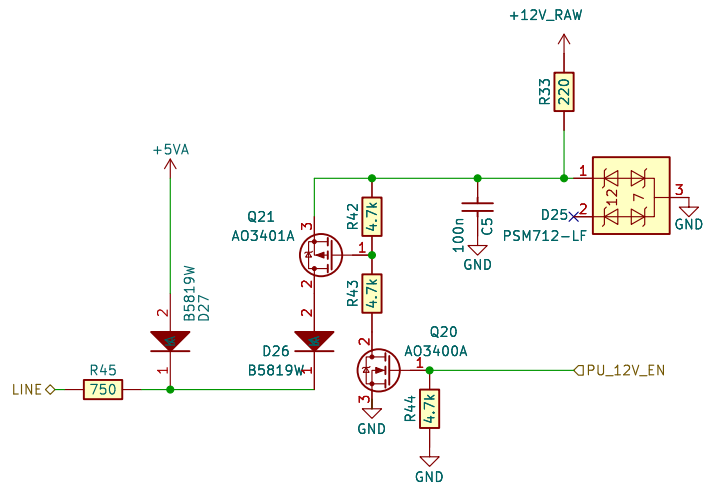


Sheet: /OPT\_PULLUPS/  
 File: DOUBLE\_PU.kicad\_sch

**Title:**

Size: A4 Date:  
 KiCad E.D.A. kicad 7.0.1-115-g2ece2719d0

**Rev:**  
 Id: 11/14

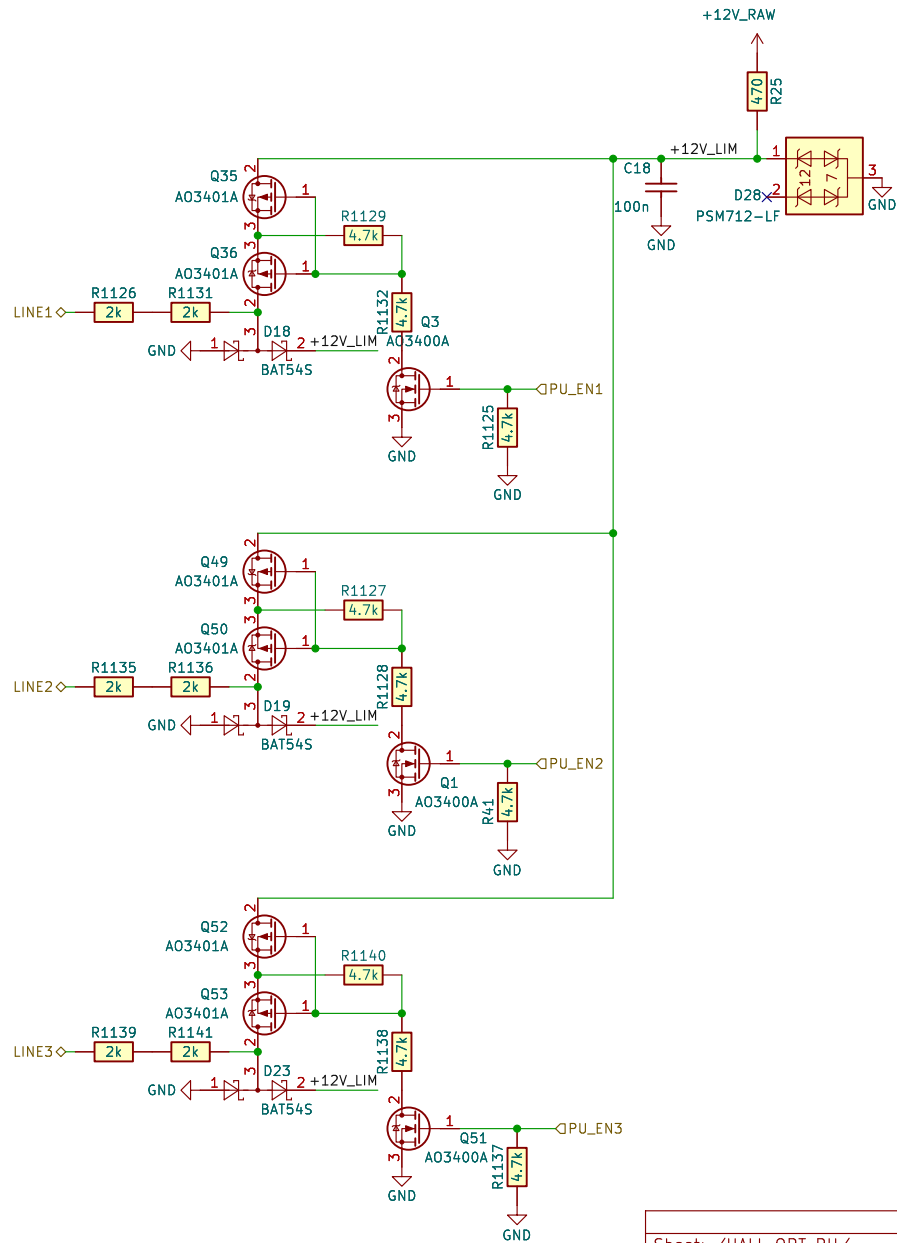


Sheet: /TACH\_PULLUP/  
 File: TACH\_PU.kicad\_sch

**Title:**

Size: A4 Date:  
 KiCad E.D.A. kicad 7.0.1-115-g2ece2719d0

**Rev:**  
 Id: 12/14

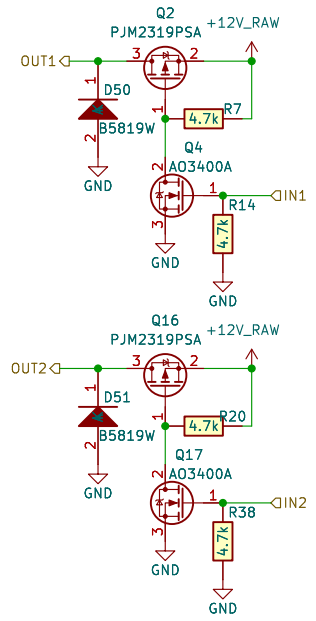


Sheet: /HALL\_OPT\_PU/  
 File: HALL\_PU3.kicad\_sch

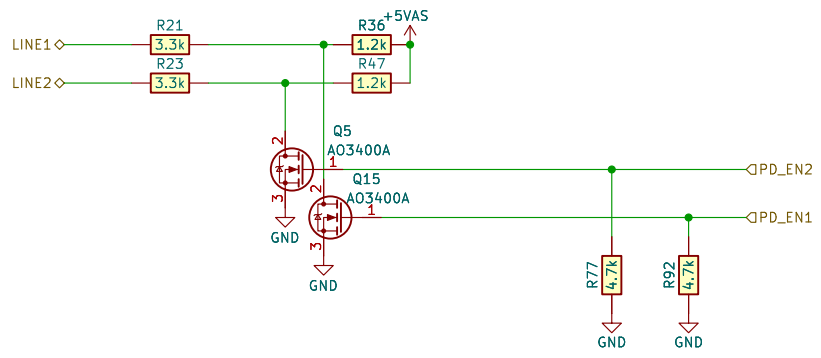
**Title:**

Size: A4      Date:  
 KiCad E.D.A. kicad 7.0.1-115-g2ece2719d0

**Rev:**  
 Id: 13/14



Sheet: /HS/		
File: HS2.kicad_sch		
<b>Title:</b>		
Size: A4	Date:	Rev:
KiCad E.D.A. kicad 7.0.1-115-g2ece2719d0		Id: 14/14



Sheet: /OPT_PULLDOWNS2/		
File: PD2.kicad_sch		
<b>Title:</b>		
Size: A4	Date:	Rev:
KiCad E.D.A. kicad 7.0.1-115-g2ece2719d0		Id: 14/14