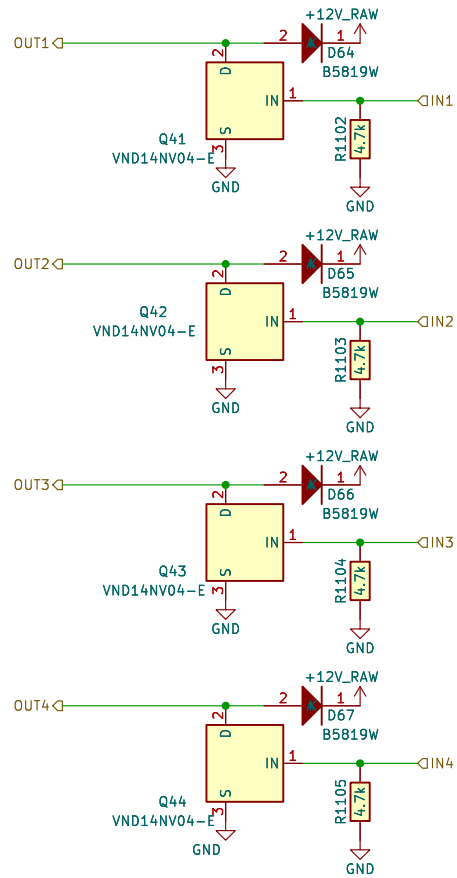


Sheet: /INJ/
 File: INJ4.kicad_sch

Title:

Size: A4 Date:
 KiCad E.D.A. kicad 7.0.1-115-g2ece2719d0

Rev:
 Id: 3/14

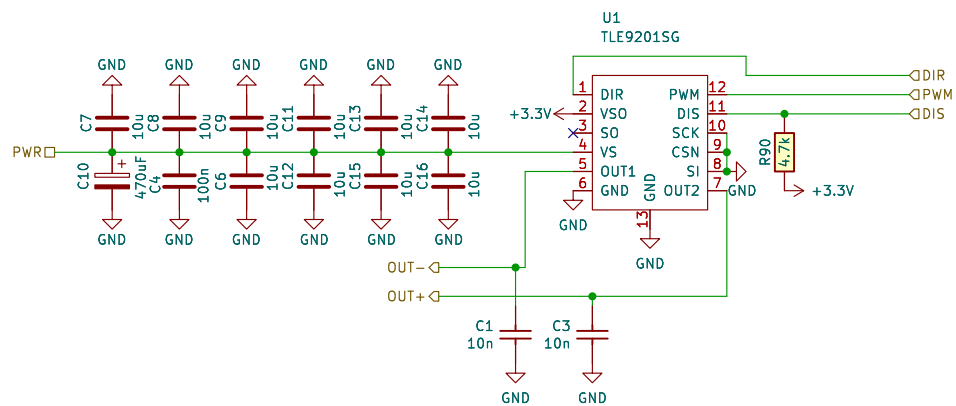


Sheet: /LS1/
 File: LS4.kicad_sch

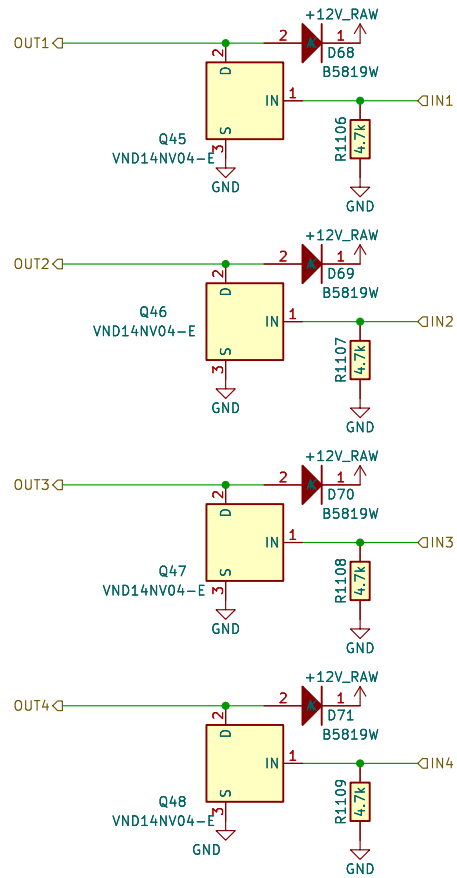
Title:

Size: A4 Date:
 KiCad E.D.A. kicad 7.0.1-115-g2ece2719d0

Rev:
 Id: 4/14



Sheet: /ETB/		
File: ETB.kicad_sch		
Title:		
Size: A4	Date:	Rev:
KiCad E.D.A. kicad 7.0.1-115-g2ece2719d0		Id: 5/14

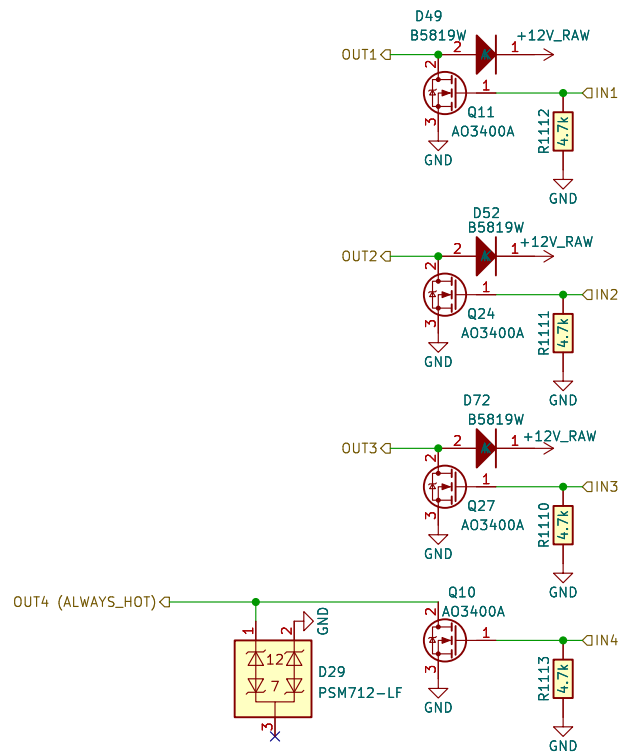


Sheet: /LS2/
 File: LS4.kicad_sch

Title:

Size: A4 Date:
 KiCad E.D.A. kicad 7.0.1-115-g2ece2719d0

Rev:
 Id: 6/14

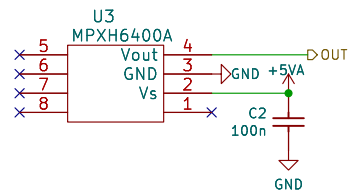


Sheet: /LS_weak/
 File: LS_weak.kicad_sch

Title:

Size: A4 Date:
 KiCad E.D.A. kicad 7.0.1-115-g2ece2719d0

Rev:
 Id: 7/14

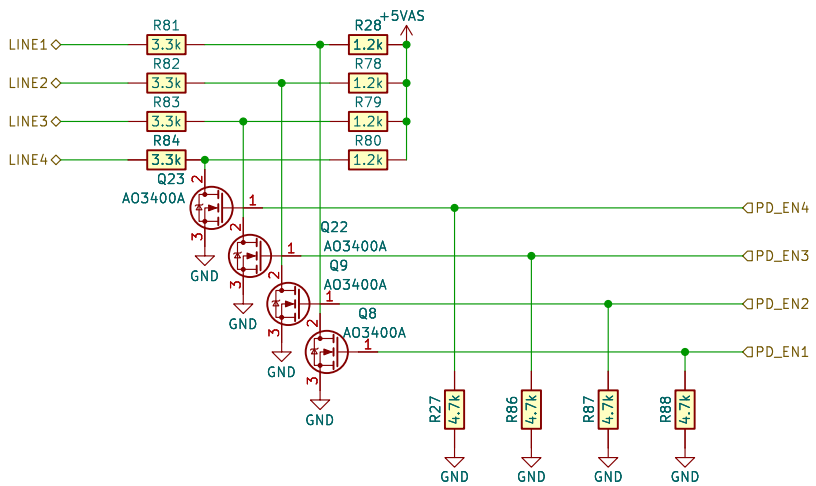


Sheet: /MAP/
File: MAP.kicad_sch

Title:

Size: A4 Date:
KiCad E.D.A. kicad 7.0.1-115-g2ece2719d0

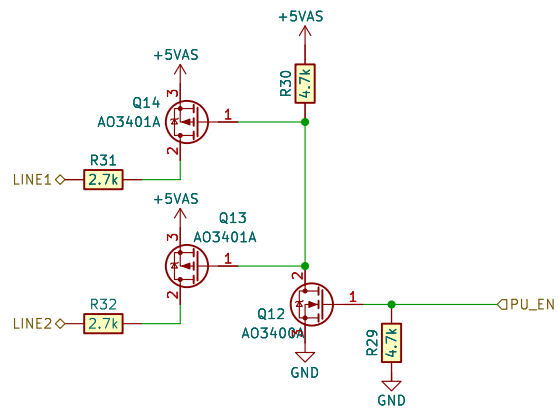
Rev:
Id: 8/14



Sheet: /OPT_PULLDOWNS1/
 File: PD4.kicad_sch

Title:

Size: A4	Date:	Rev:
KiCad E.D.A. kicad 7.0.1-115-g2ece2719d0		Id: 9/14

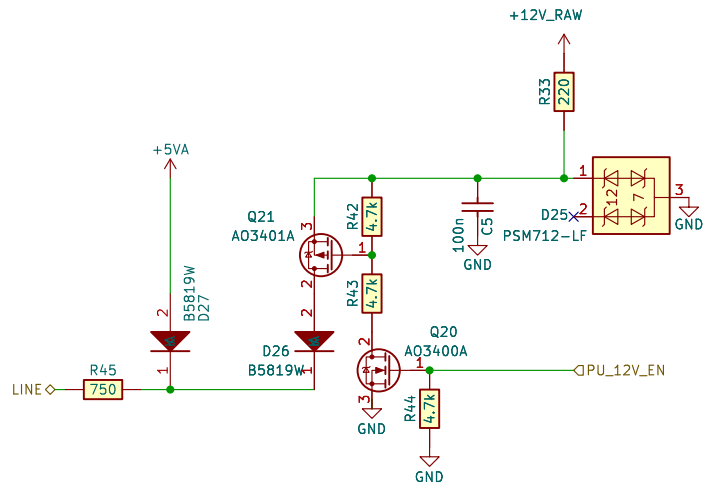


Sheet: /OPT_PULLUPS/
 File: DOUBLE_PU.kicad_sch

Title:

Size: A4 Date:
 KiCad E.D.A. kicad 7.0.1-115-g2ece2719d0

Rev:
 Id: 11/14

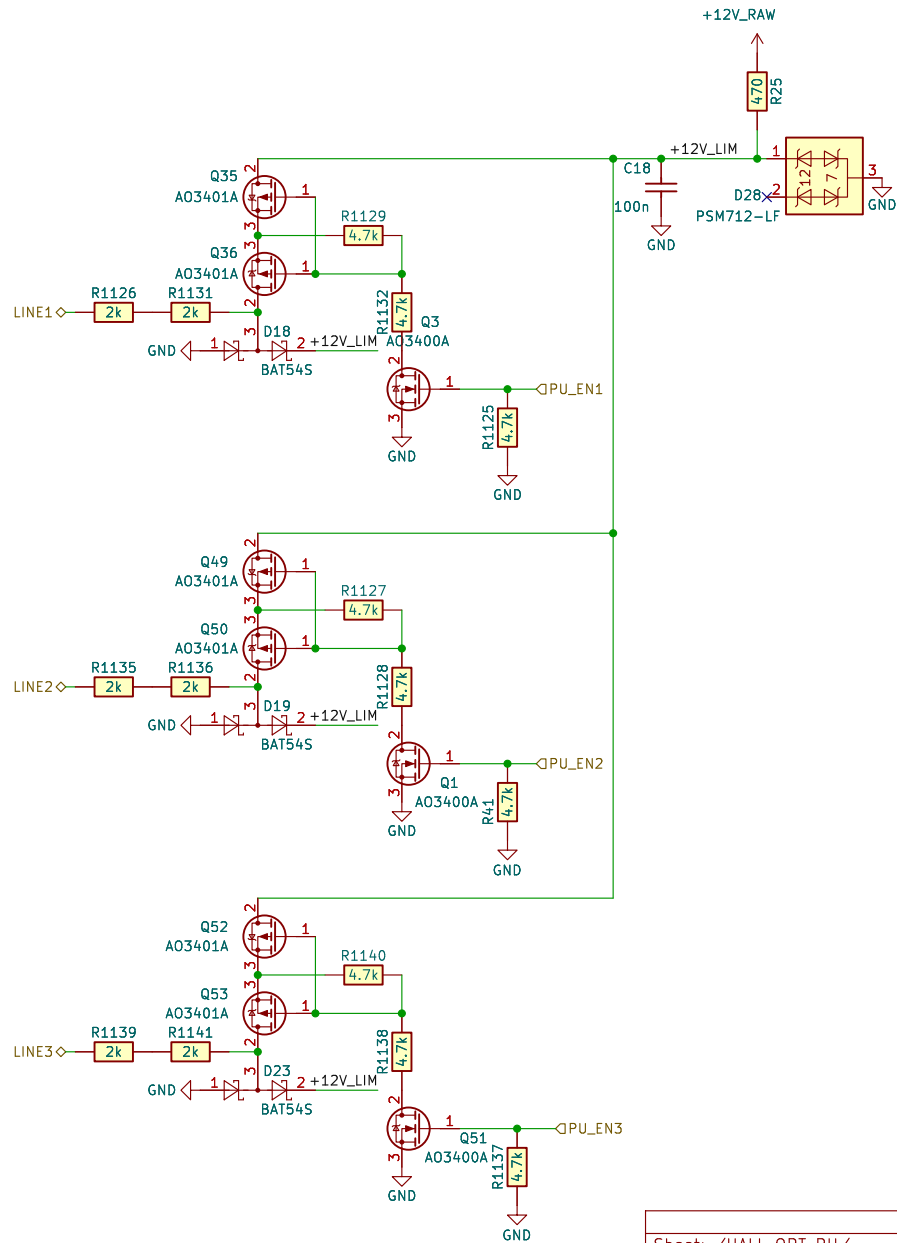


Sheet: /TACH_PULLUP/
 File: TACH_PU.kicad_sch

Title:

Size: A4 Date:
 KiCad E.D.A. kicad 7.0.1-115-g2ece2719d0

Rev:
 Id: 12/14

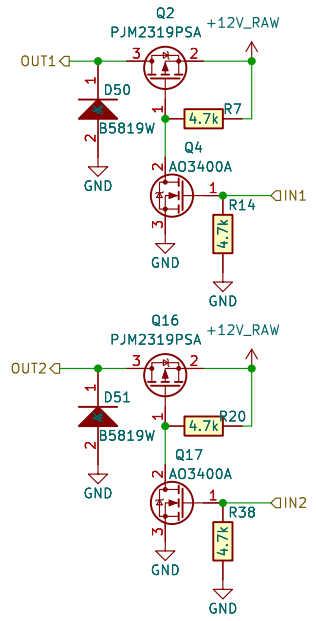


Sheet: /HALL_OPT_PU/
 File: HALL_PU3.kicad_sch

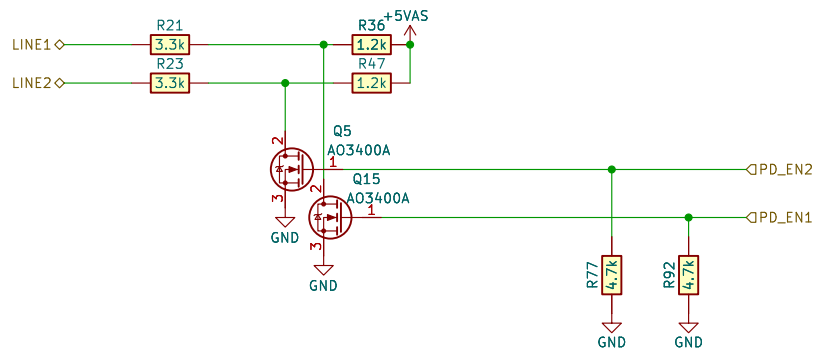
Title:

Size: A4 Date:
 KiCad E.D.A. kicad 7.0.1-115-g2ece2719d0

Rev:
 Id: 13/14



Sheet: /HS/		
File: HS2.kicad_sch		
Title:		
Size: A4	Date:	Rev:
KiCad E.D.A. kicad 7.0.1-115-g2ece2719d0		Id: 14/14



Sheet: /OPT_PULLDOWNS2/		
File: PD2.kicad_sch		
Title:		
Size: A4	Date:	Rev:
KiCad E.D.A. kicad 7.0.1-115-g2ece2719d0		Id: 14/14