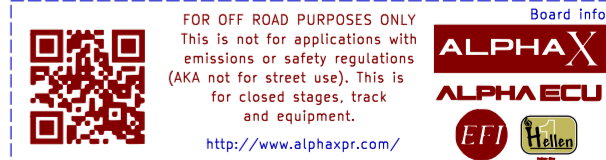


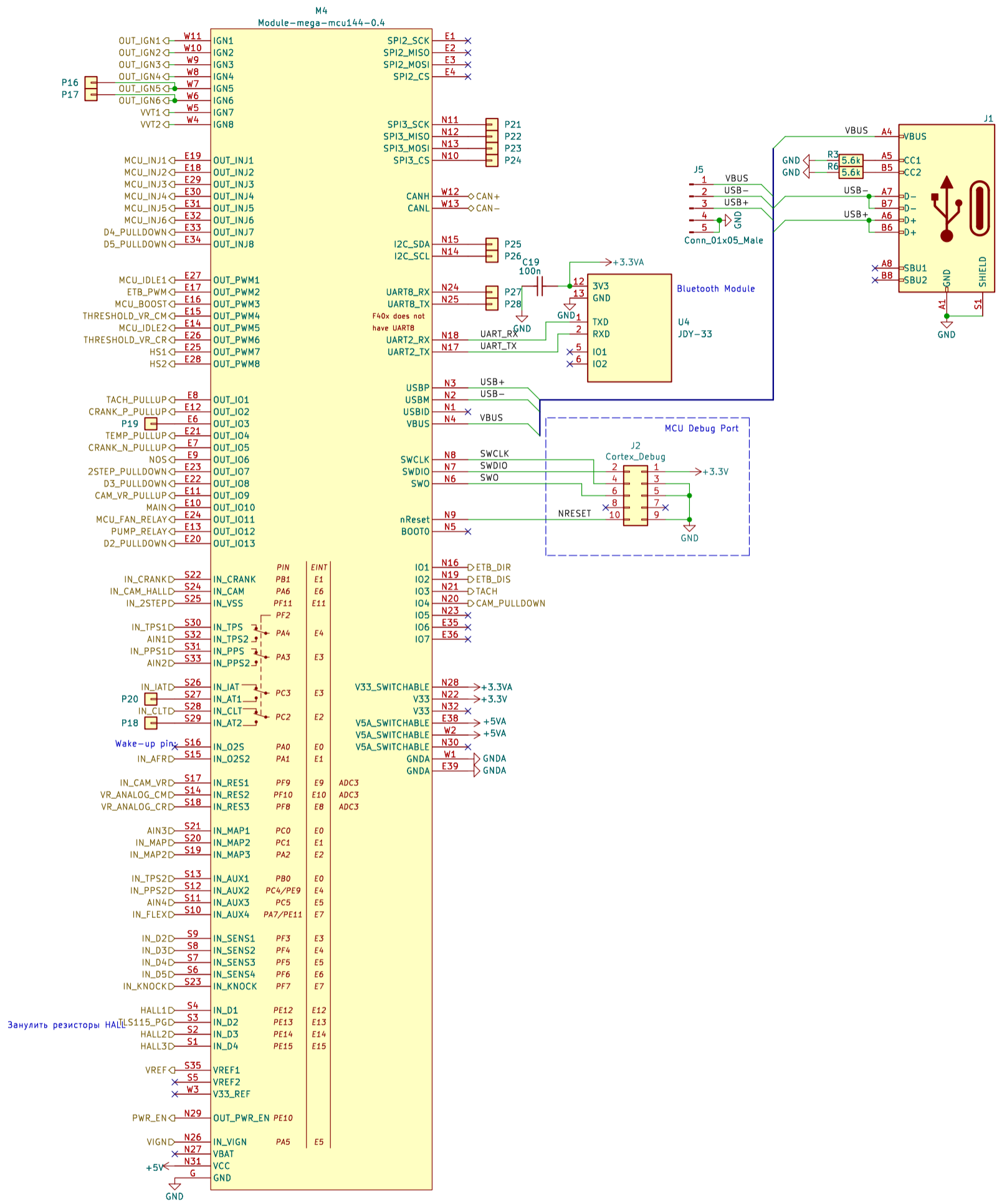
**Power**

Warning! Remove R40 if you use TLS115

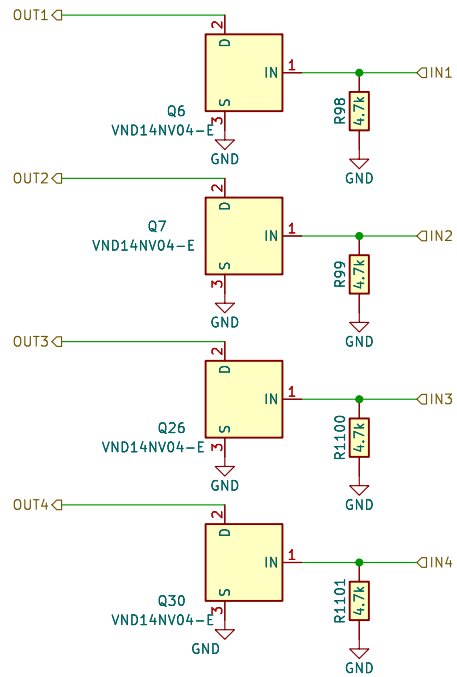
**Configurable AUX pullup**

**Internal MAP sensor**





Занулить резисторы HALL



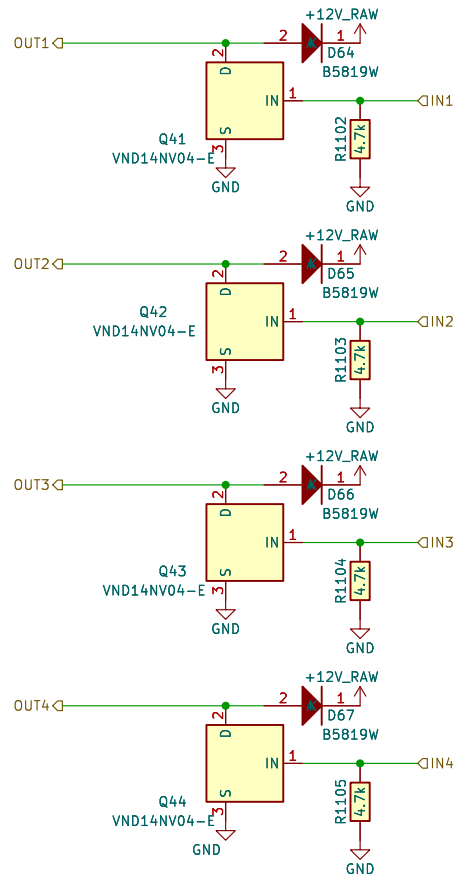
Sheet: /INJ/  
 File: INJ4.kicad\_sch

**Title:**

Size: A4  
 KiCad E.D.A. kicad 7.0.1

Date:

Rev:  
 Id: 3/14



Sheet: /LS1/  
 File: LS4.kicad\_sch

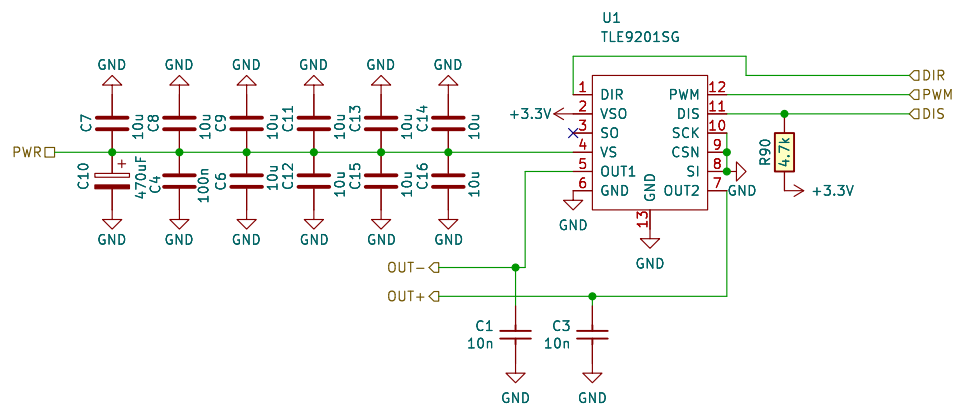
**Title:**

Size: A4  
 KiCad E.D.A. kicad 7.0.1

Date:

**Rev:**

Id: 4/14



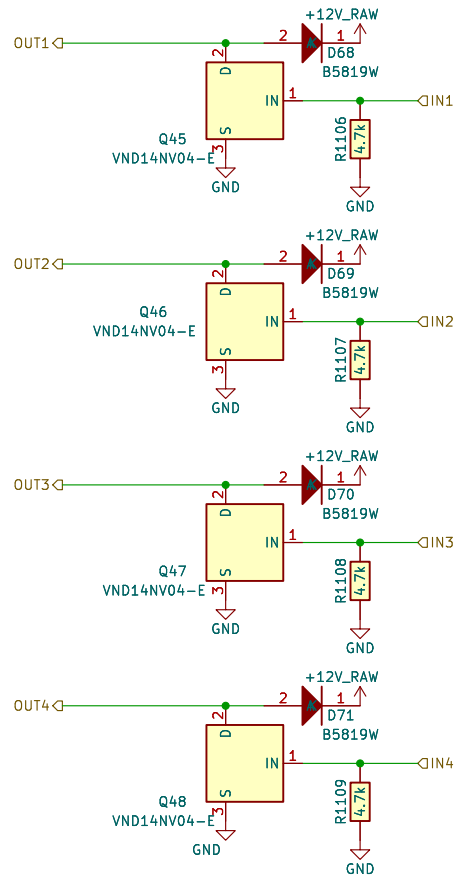
Sheet: /ETB/  
 File: ETB.kicad\_sch

**Title:**

Size: A4  
 KiCad E.D.A. kicad 7.0.1

Date:

Rev:  
 Id: 5/14



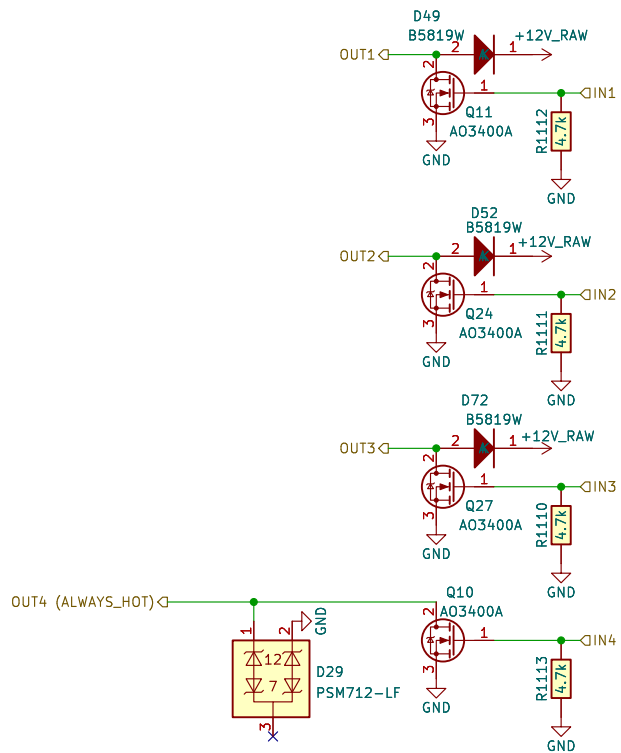
Sheet: /LS2/  
 File: LS4.kicad\_sch

**Title:**

Size: A4  
 KiCad E.D.A. kicad 7.0.1

Date:

Rev:  
 Id: 6/14



Sheet: /LS\_weak/  
 File: LS\_weak.kicad\_sch

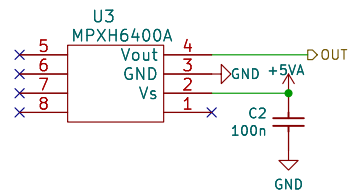
**Title:**

Size: A4  
 KiCad E.D.A. kicad 7.0.1

Date:

**Rev:**

Id: 7/14



Sheet: /MAP/  
File: MAP.kicad\_sch

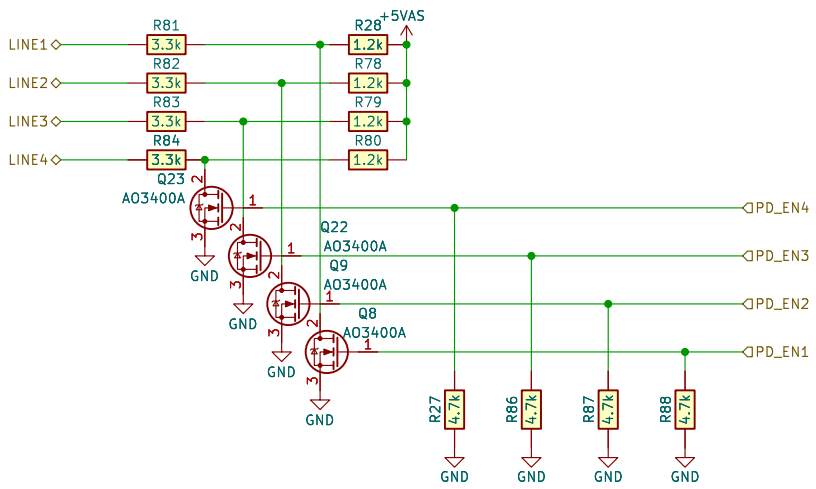
**Title:**

Size: A4  
KiCad E.D.A. kicad 7.0.1

Date:

Rev:  
Id: 8/14



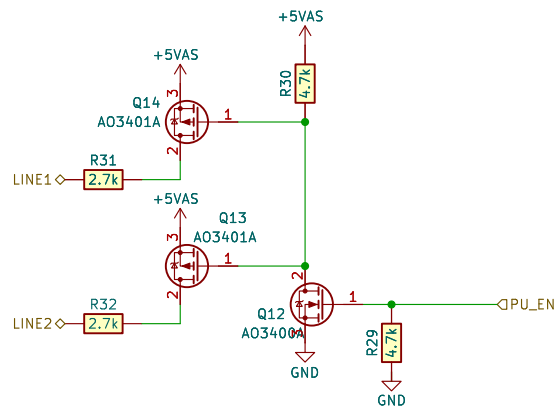


Sheet: /OPT\_PULLDOWNS1/  
 File: PD4.kicad\_sch

**Title:**

Size: A4 Date:  
 KiCad E.D.A. kicad 7.0.1

**Rev:**  
 Id: 9/14



Sheet: /OPT\_PULLUPS/  
 File: DOUBLE\_PU.kicad\_sch

**Title:**

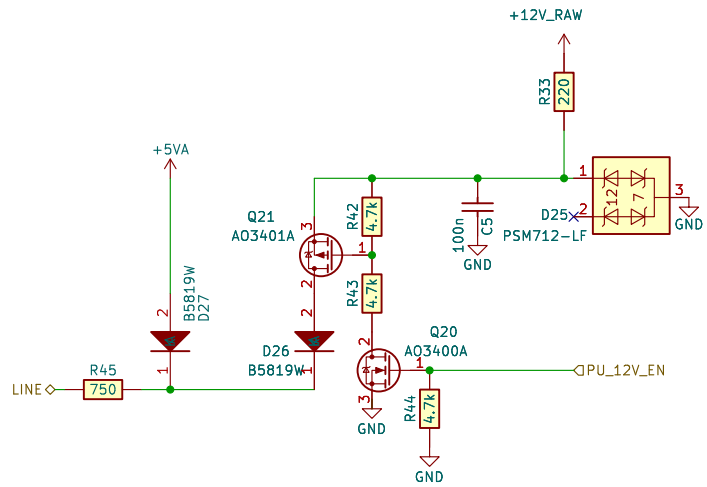
Size: A4

Date:

Rev:

KiCad E.D.A. kicad 7.0.1

Id: 11/14



Sheet: /TACH\_PULLUP/  
File: TACH\_PU.kicad\_sch

**Title:**

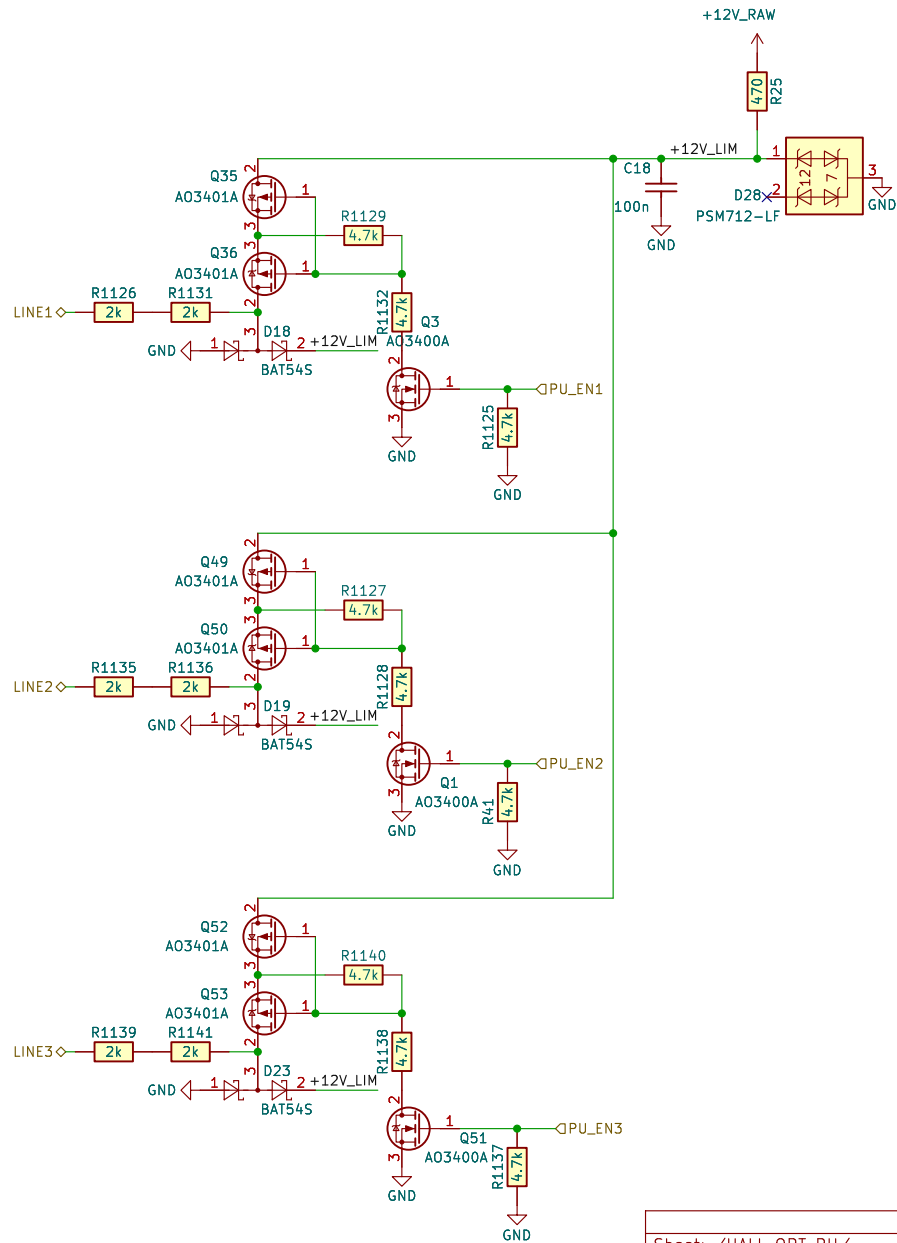
Size: A4

Date:

KiCad E.D.A. kicad 7.0.1

**Rev:**

Id: 12/14



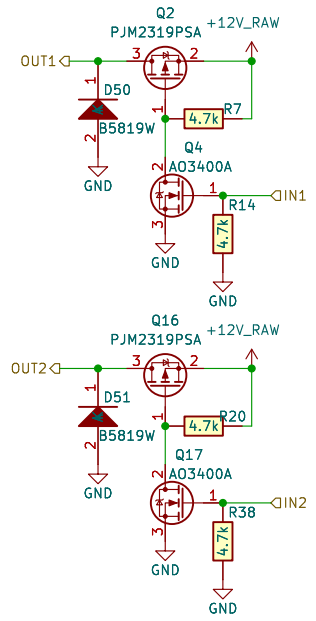
Sheet: /HALL\_OPT\_PU/  
 File: HALL\_PU3.kicad\_sch

**Title:**

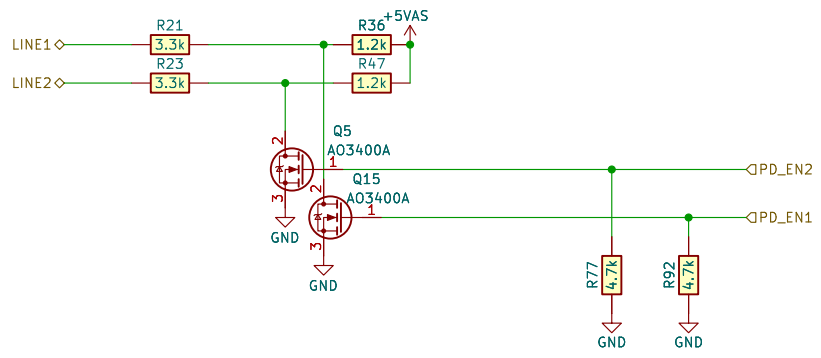
Size: A4  
 KiCad E.D.A. kicad 7.0.1

Date:

Rev:  
 Id: 13/14



Sheet: /HS/		
File: HS2.kicad_sch		
<b>Title:</b>		
Size: A4	Date:	Rev:
KiCad E.D.A. kicad 7.0.1		Id: 14/14



Sheet: /OPT\_PULLDOWNS2/  
 File: PD2.kicad\_sch

**Title:**

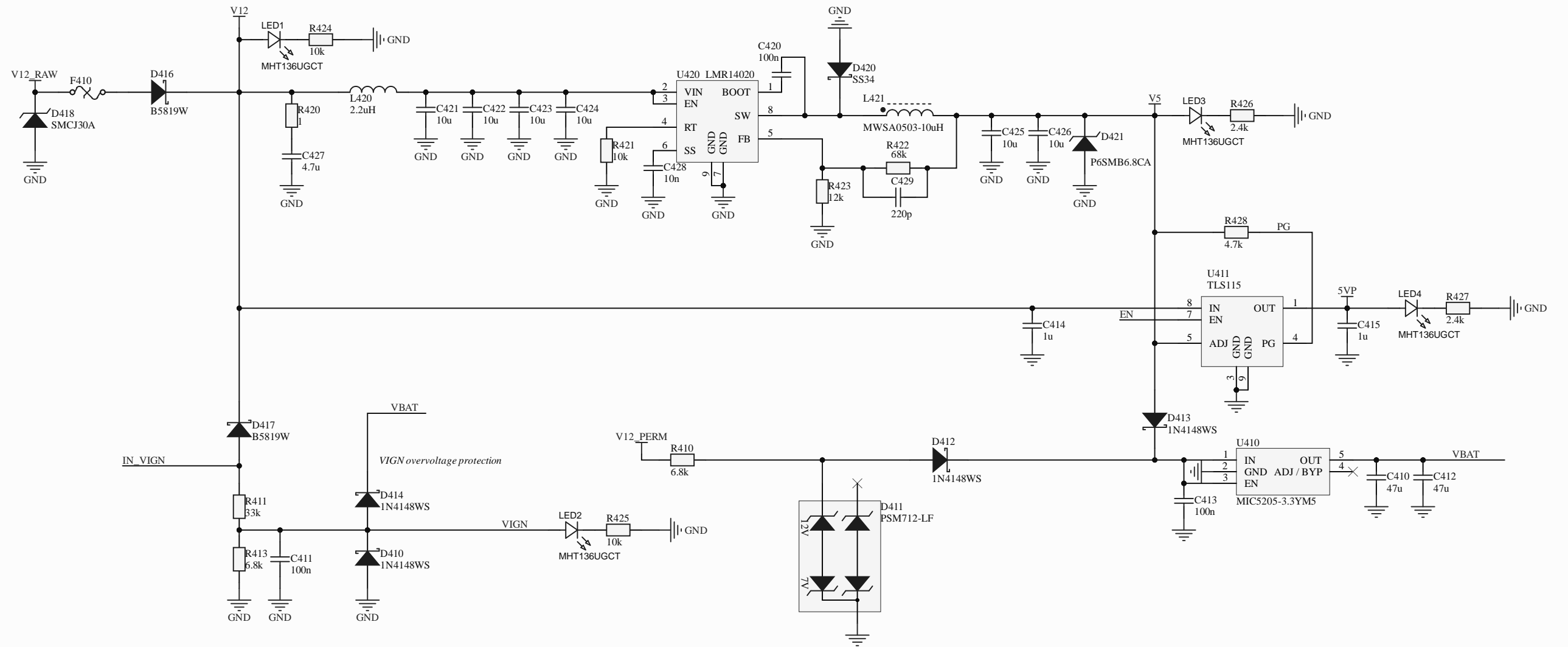
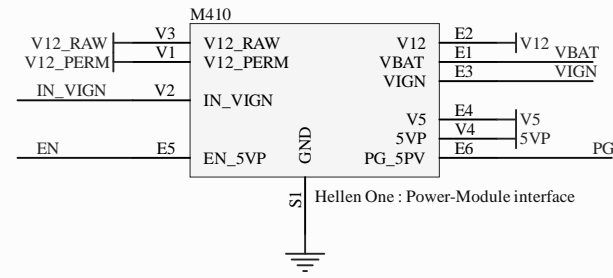
Size: A4

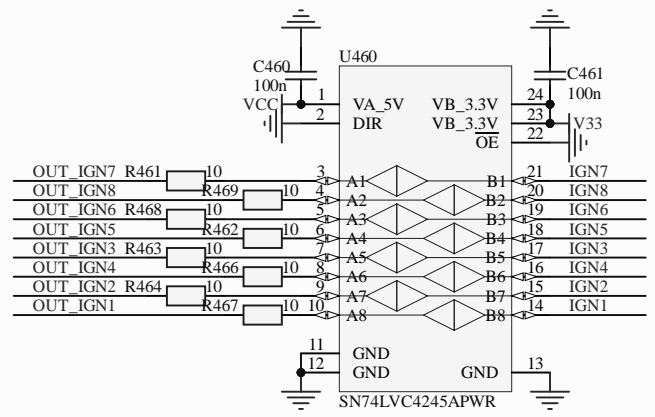
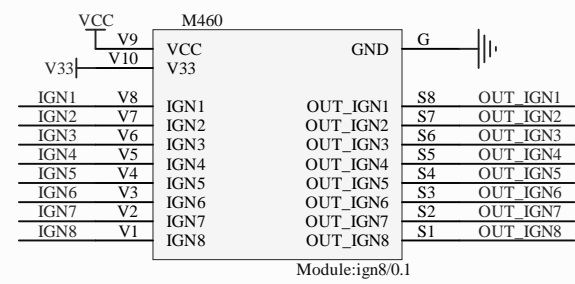
Date:

KiCad E.D.A. kicad 7.0.1

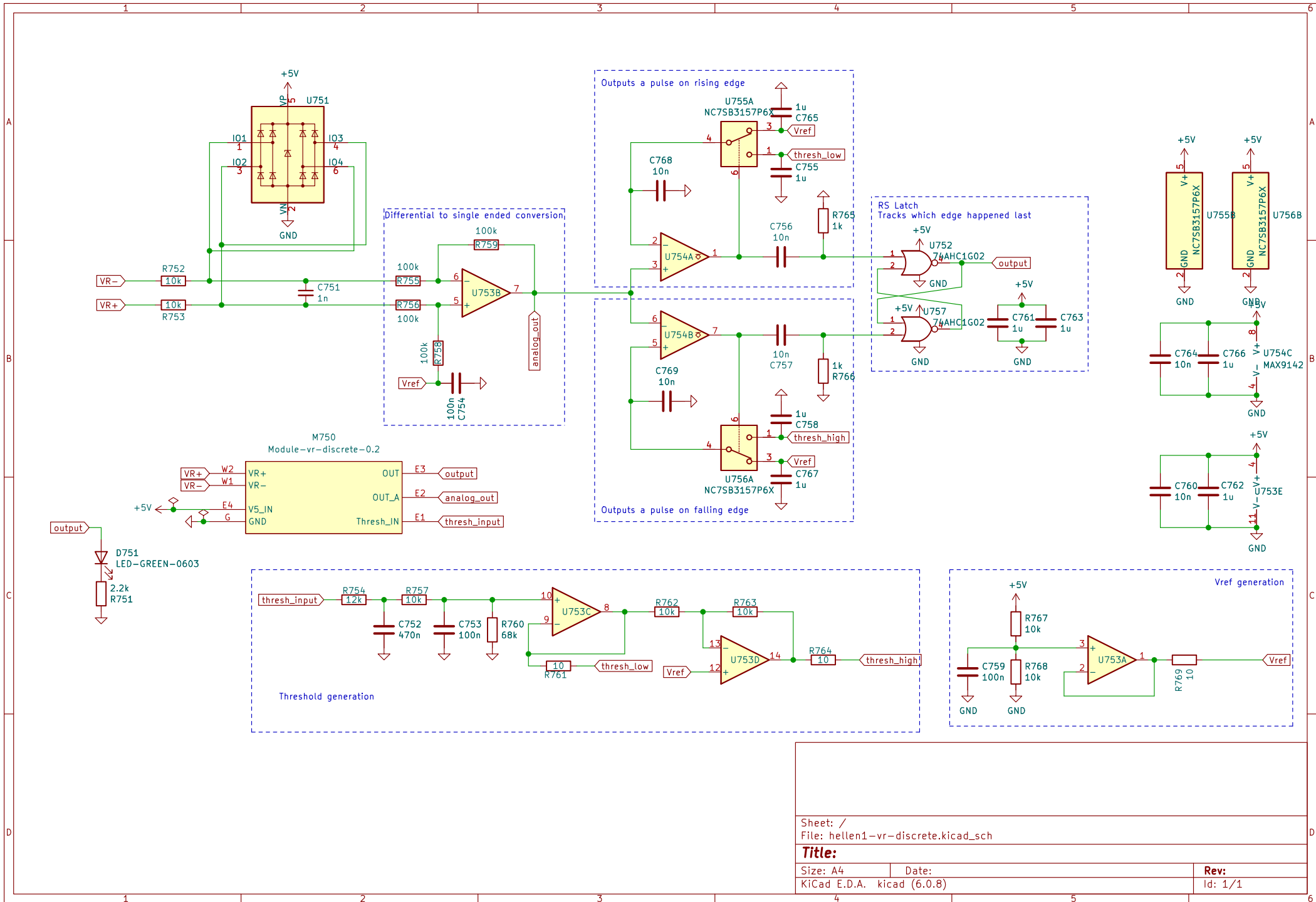
**Rev:**

Id: 14/14



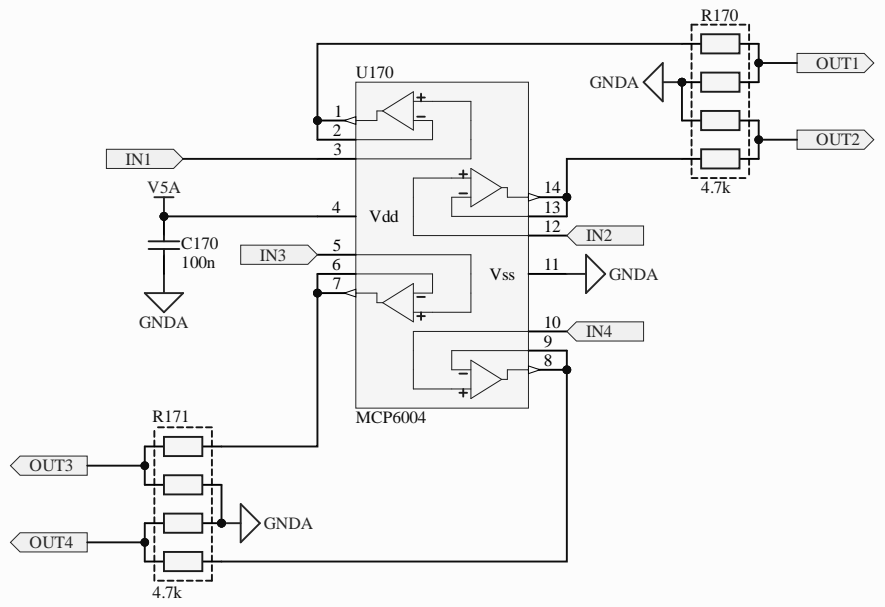


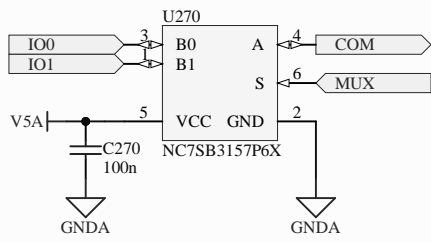


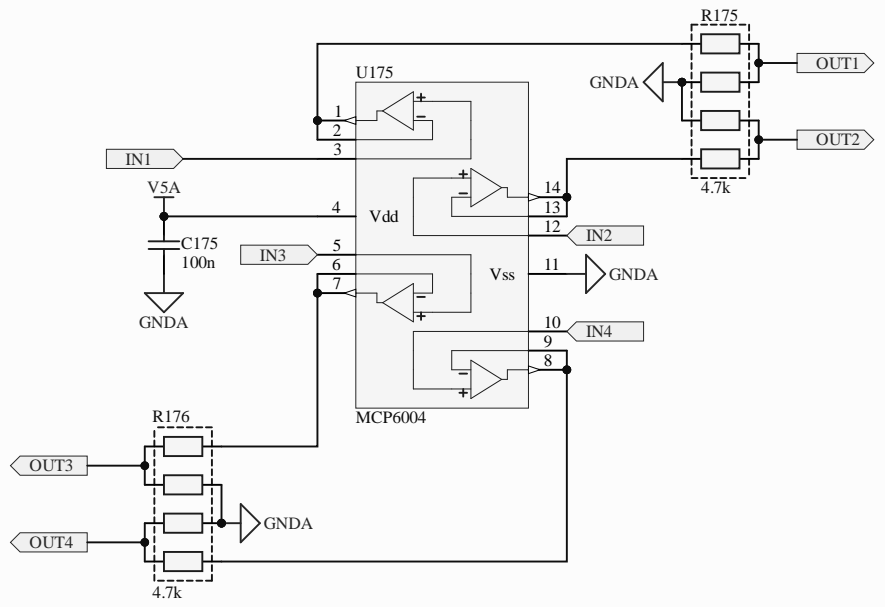


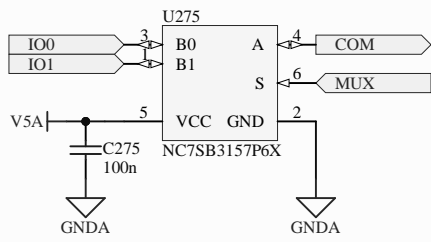
Sheet: /  
 File: hellen1-vr-discrete.kicad\_sch

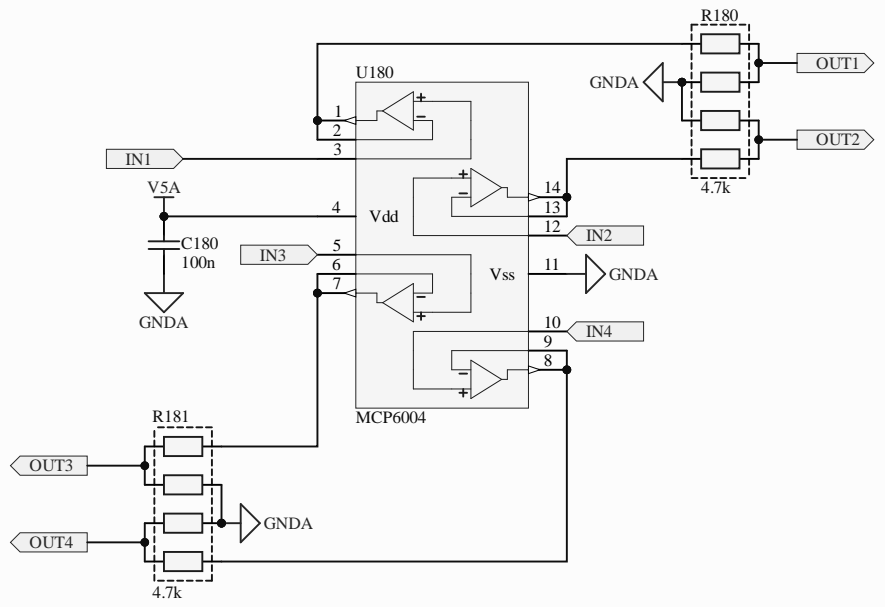
<b>Title:</b>	
Size: A4	Date:
KiCad E.D.A. kicad (6.0.8)	Rev: 1/1

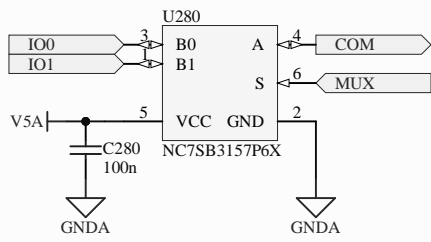


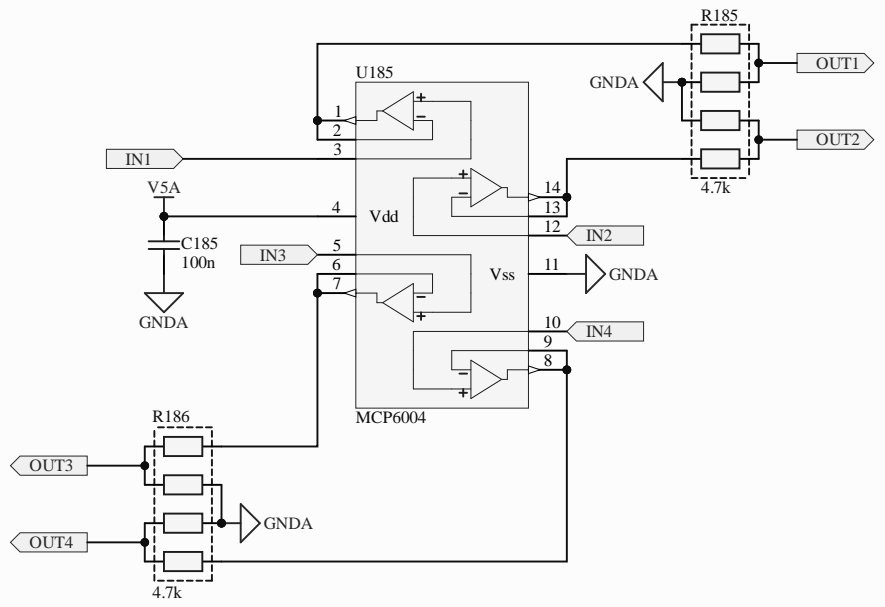




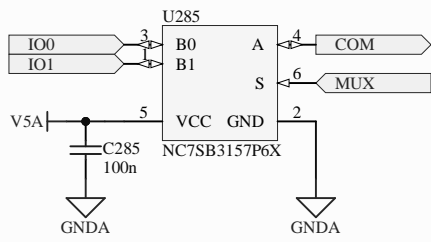


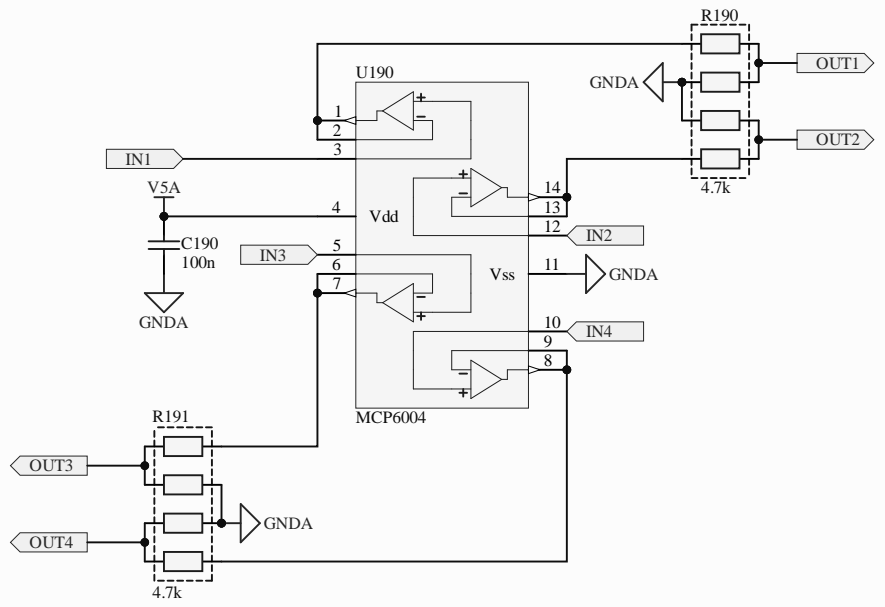


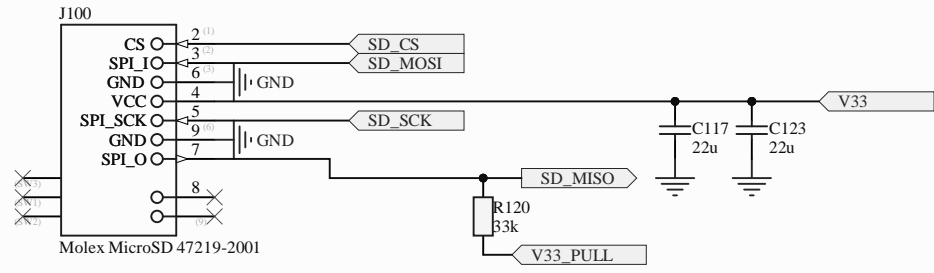


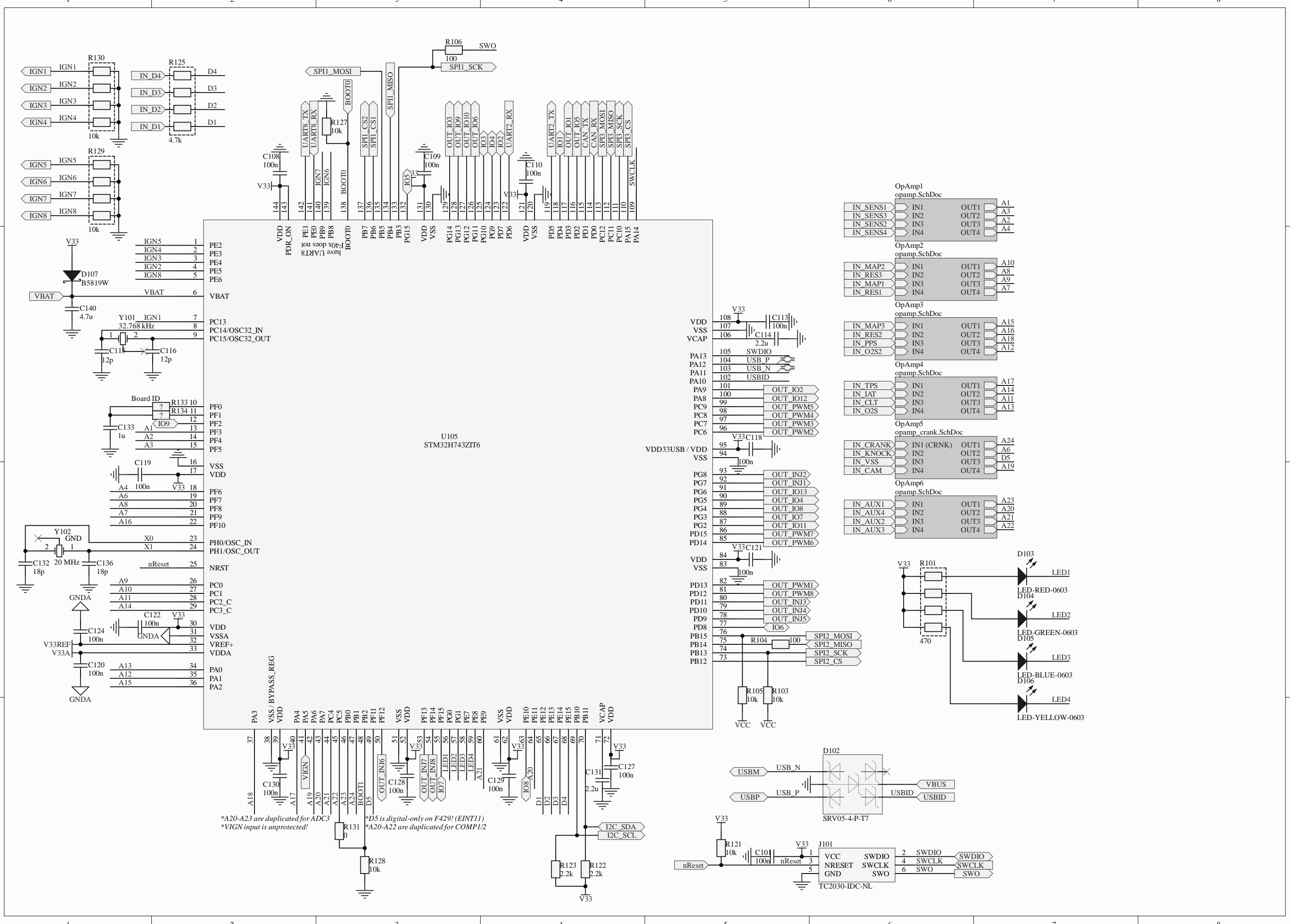












\*A20-A23 are duplicated for ADC3  
 \*VIGN input is unprotected!

\*D5 is digital-only on F429! (EINT11)  
 \*A20-A22 are duplicated for COMP1/2

A

B

C

D

A

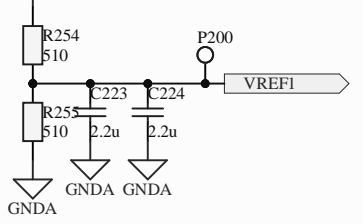
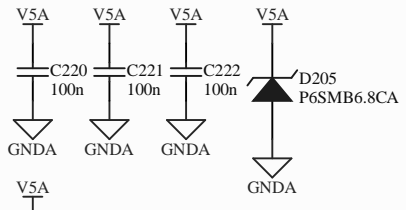
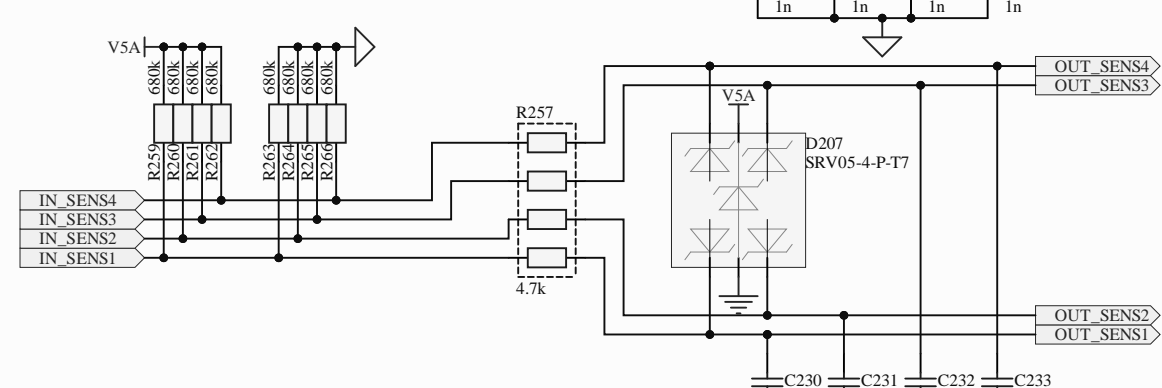
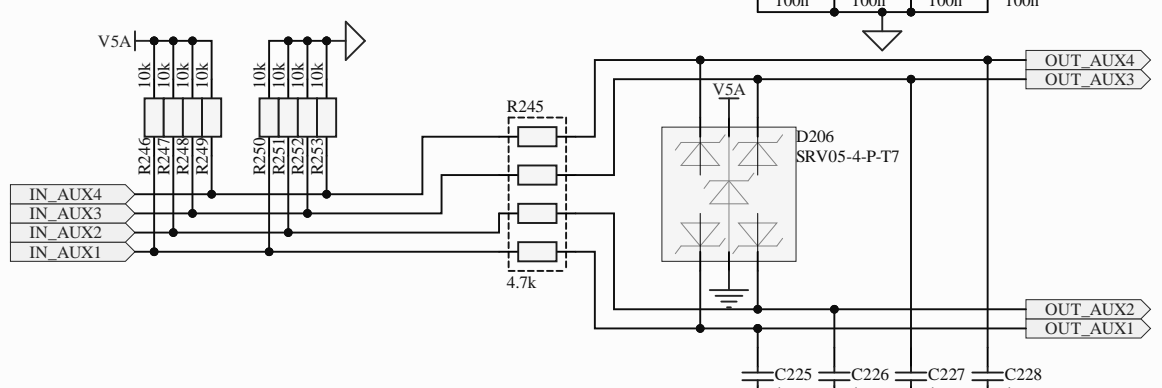
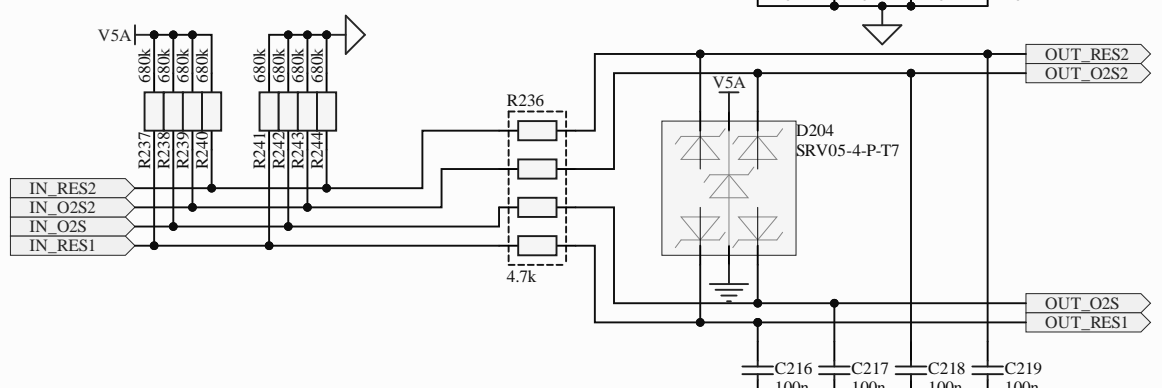
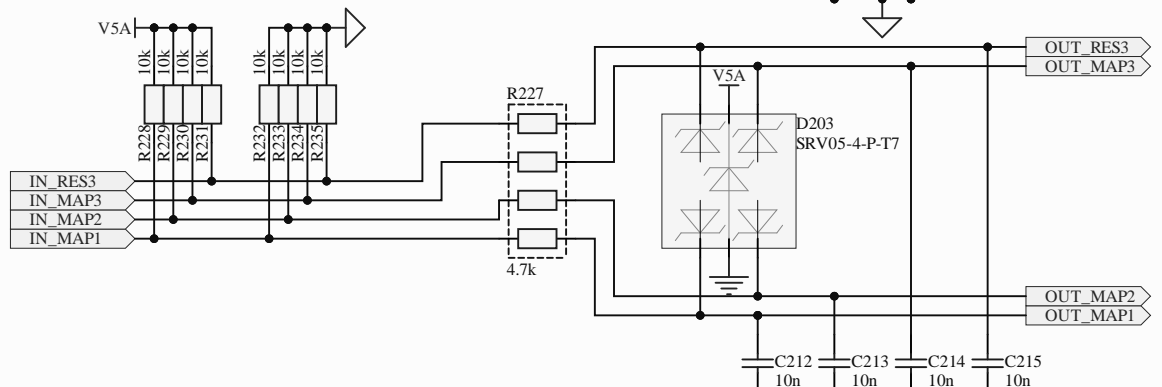
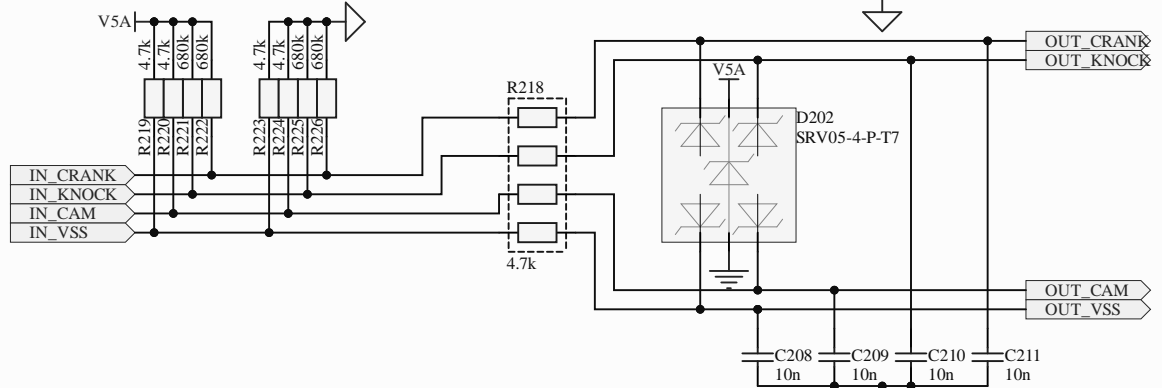
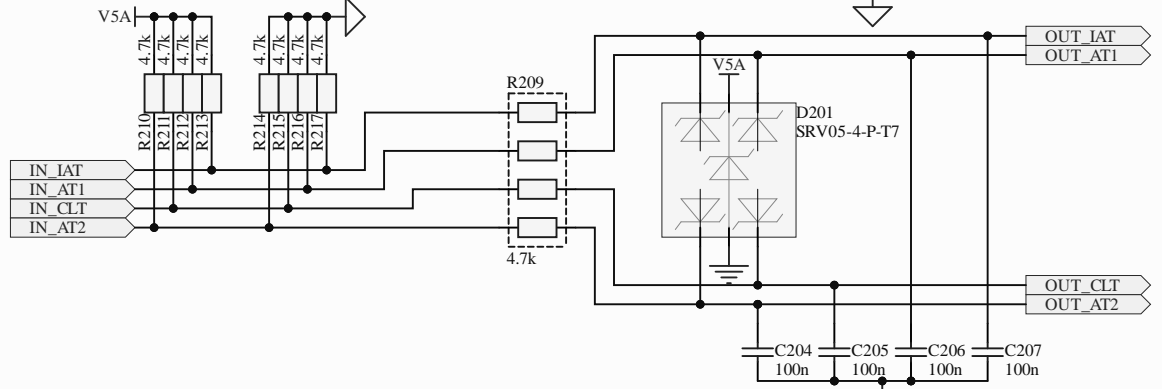
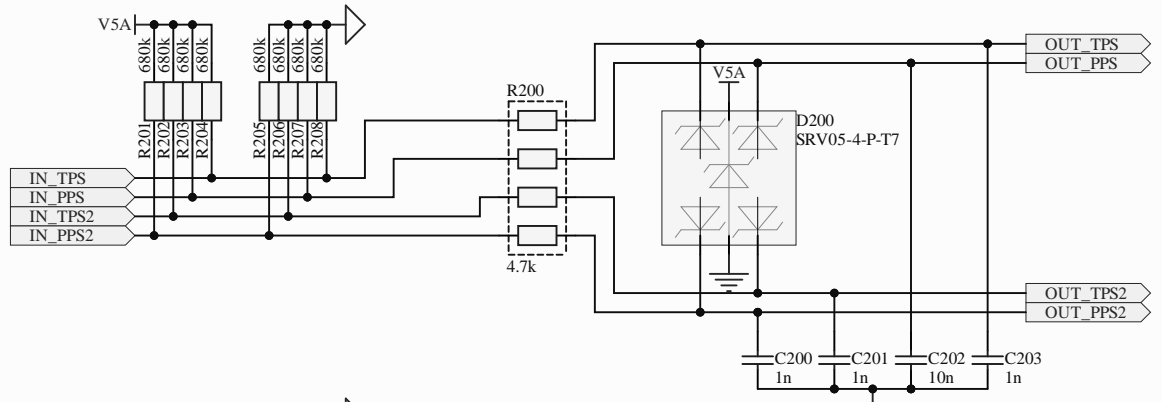
B

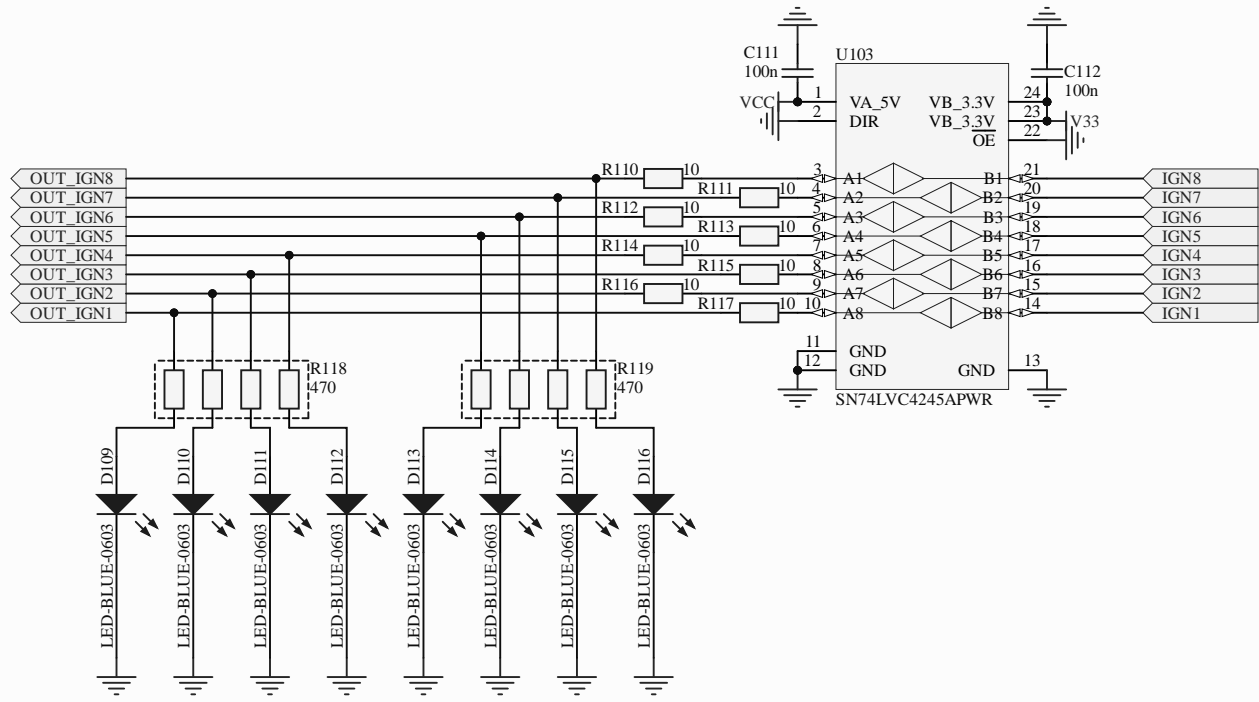
C

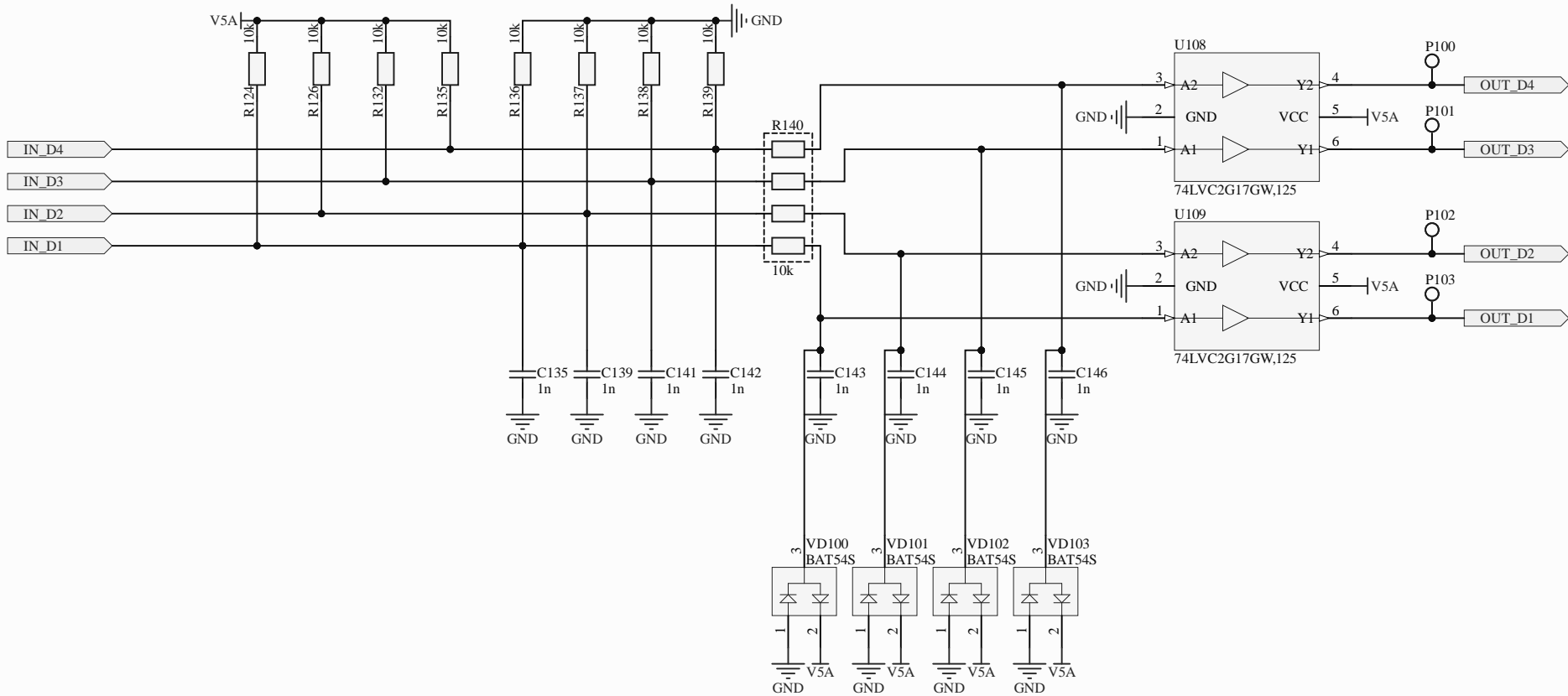
D

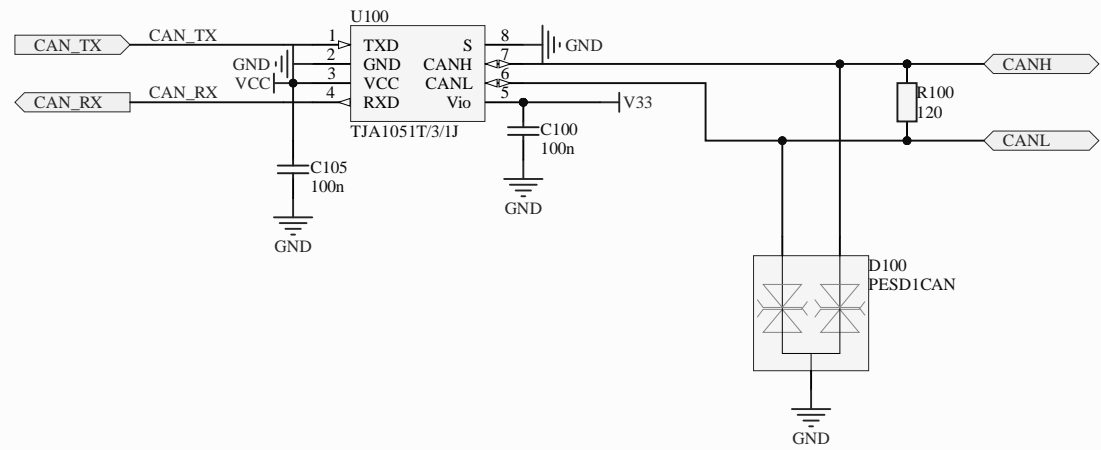
A  
B  
C  
D  
E  
F  
G  
H

A  
B  
C  
D  
E  
F  
G  
H

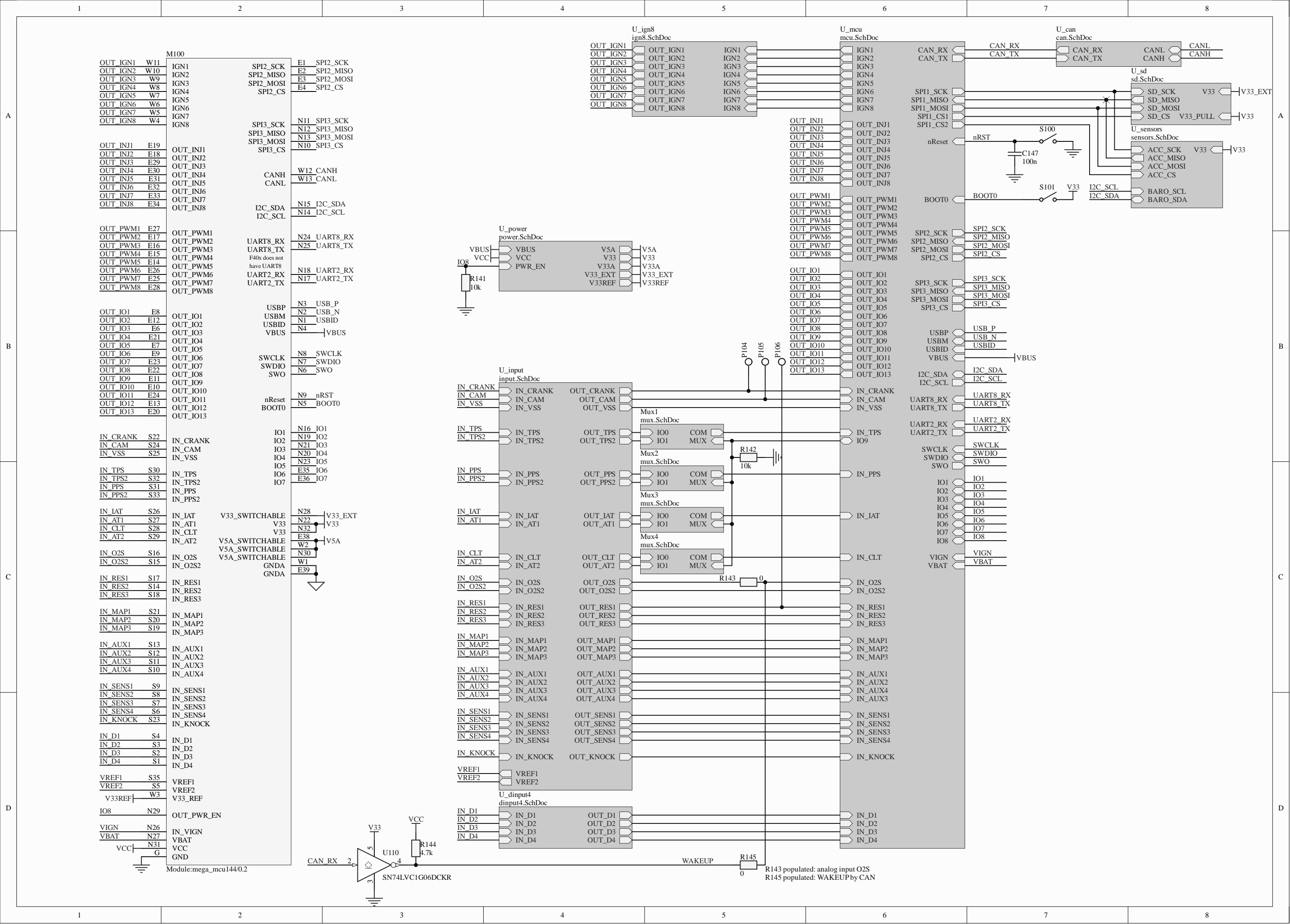




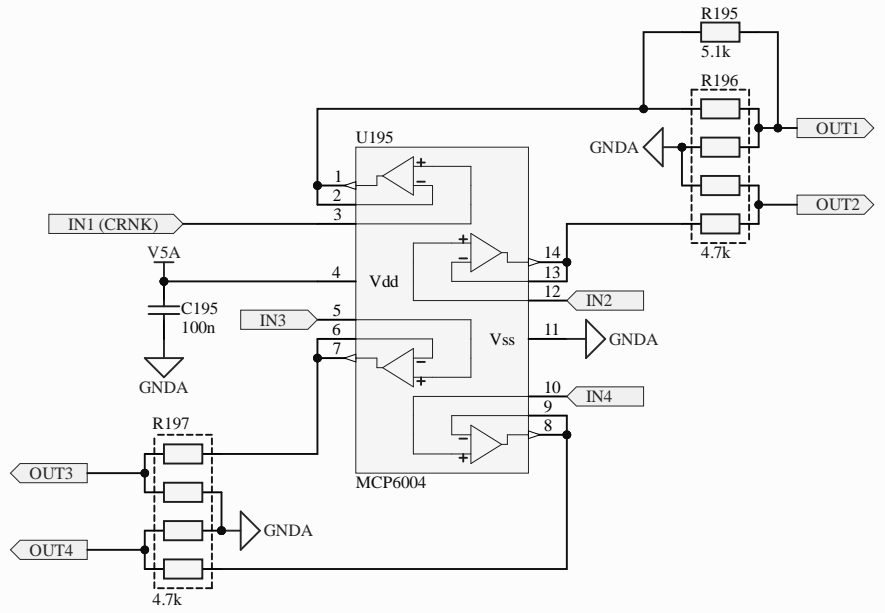


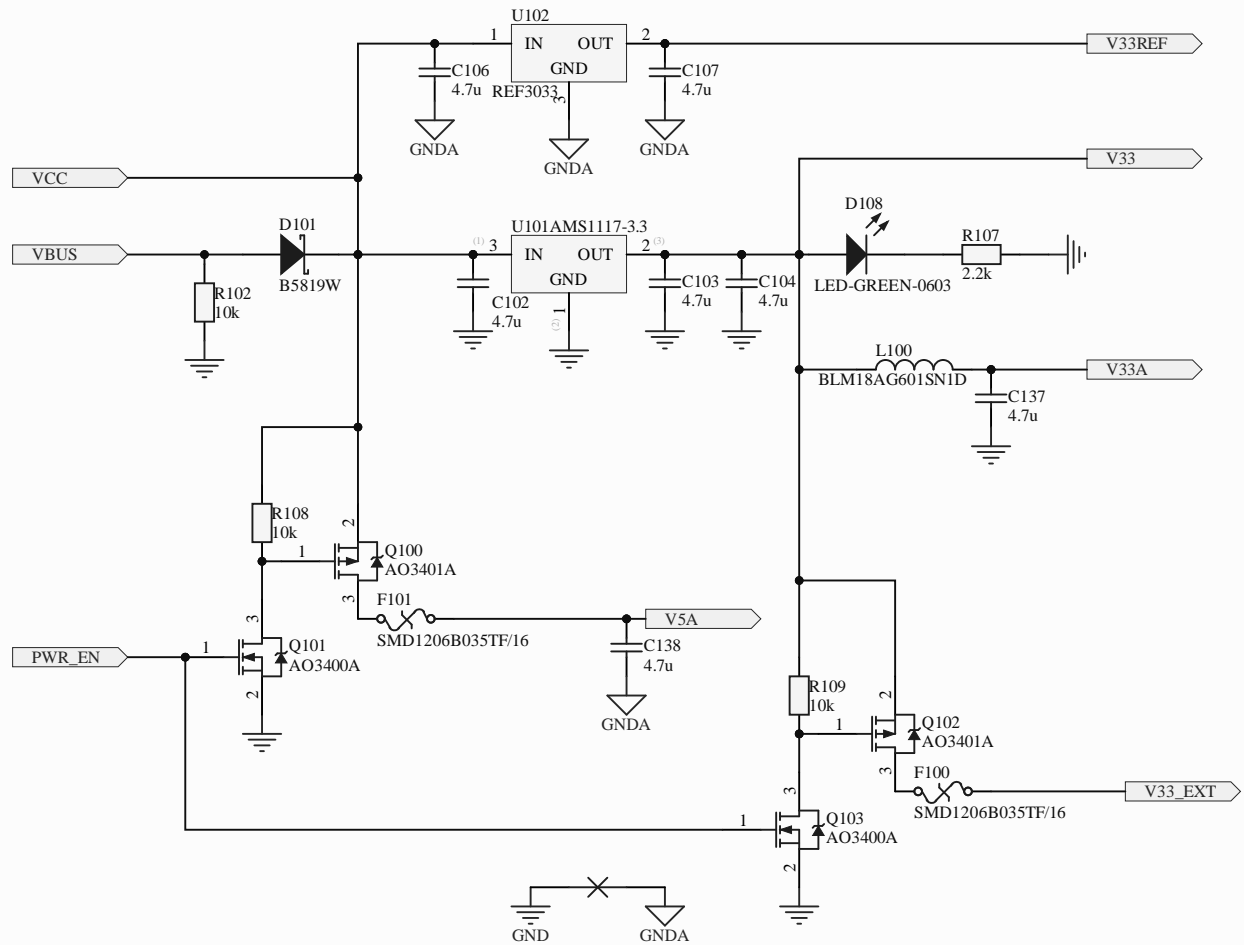






More accurate threshold for "raw" connection of VR sensors





Title		
Size	Number	Revision
A4		
Date:	4.19.2023	Sheet of
File:	C:\Work\...\power.SchDoc	Drawn By:

