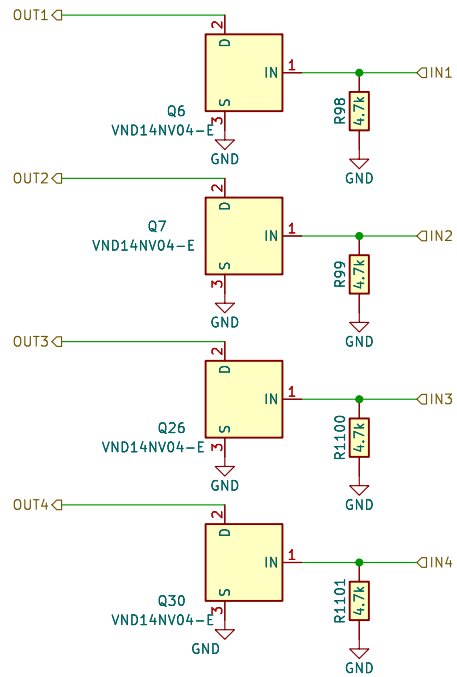


Занулить резисторы HALL



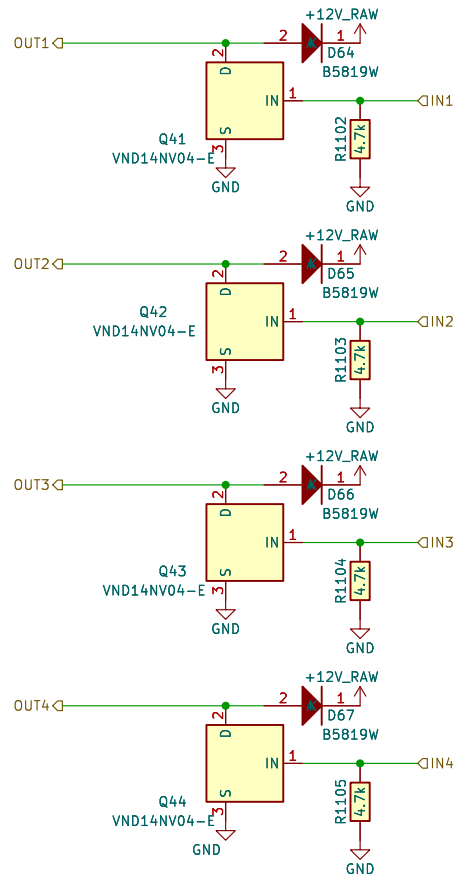
Sheet: /INJ/
 File: INJ4.kicad_sch

Title:

Size: A4
 KiCad E.D.A. kicad 7.0.1

Date:

Rev:
 Id: 3/14



Sheet: /LS1/
 File: LS4.kicad_sch

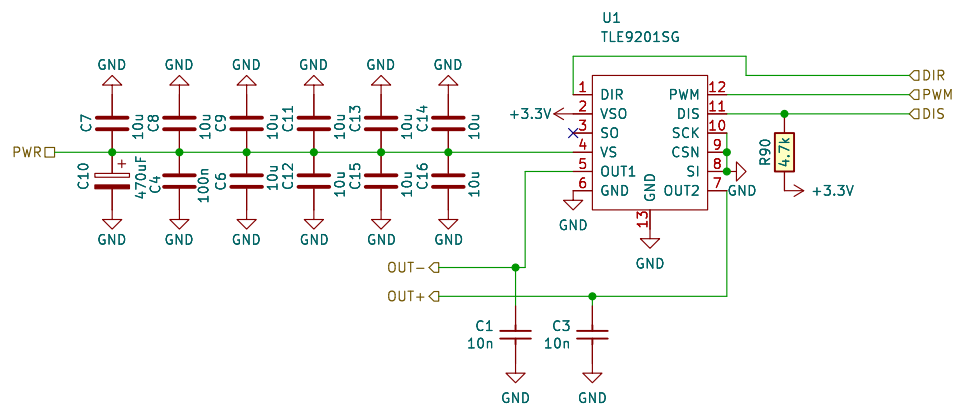
Title:

Size: A4
 KiCad E.D.A. kicad 7.0.1

Date:

Rev:

Id: 4/14



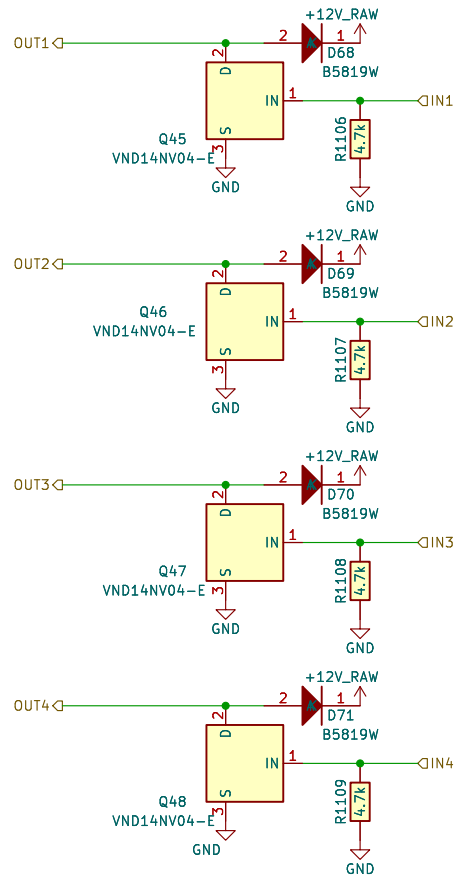
Sheet: /ETB/
 File: ETB.kicad_sch

Title:

Size: A4
 KiCad E.D.A. kicad 7.0.1

Date:

Rev:
 Id: 5/14



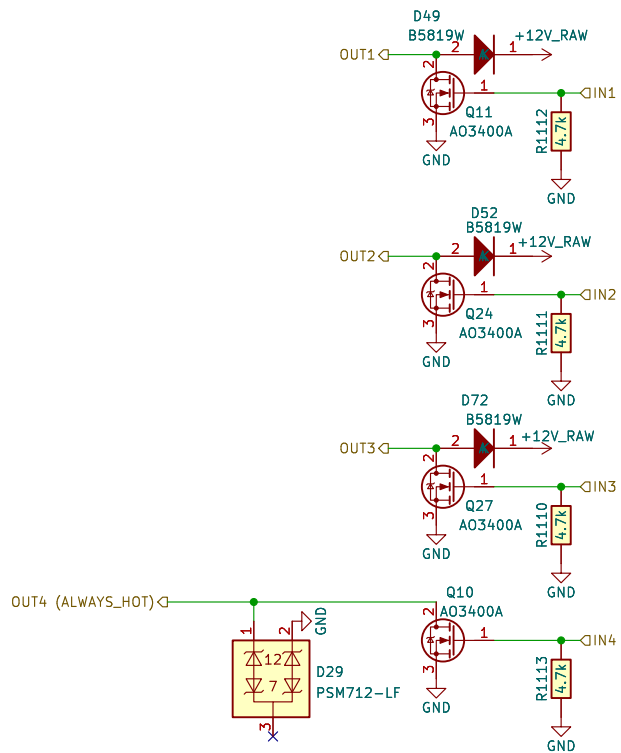
Sheet: /LS2/
 File: LS4.kicad_sch

Title:

Size: A4
 KiCad E.D.A. kicad 7.0.1

Date:

Rev:
 Id: 6/14



Sheet: /LS_weak/
 File: LS_weak.kicad_sch

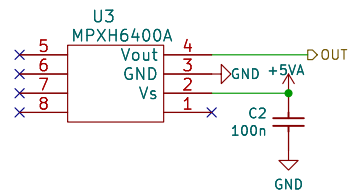
Title:

Size: A4
 KiCad E.D.A. kicad 7.0.1

Date:

Rev:

Id: 7/14



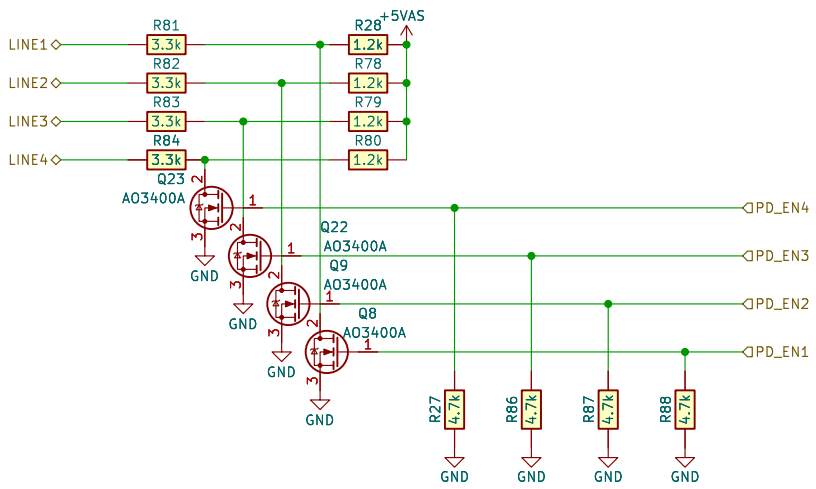
Sheet: /MAP/
File: MAP.kicad_sch

Title:

Size: A4
KiCad E.D.A. kicad 7.0.1

Date:

Rev:
Id: 8/14



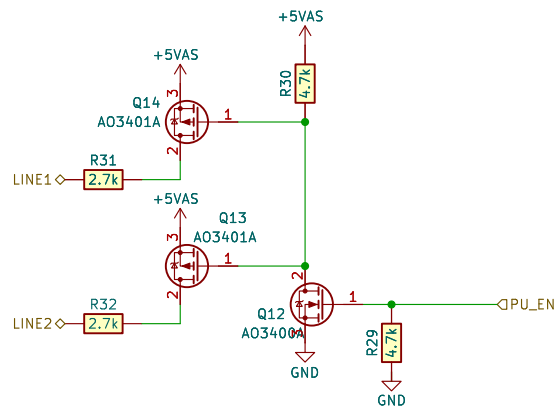
Sheet: /OPT_PULLDOWNS1/
 File: PD4.kicad_sch

Title:

Size: A4
 KiCad E.D.A. kicad 7.0.1

Date:

Rev:
 Id: 9/14



Sheet: /OPT_PULLUPS/
 File: DOUBLE_PU.kicad_sch

Title:

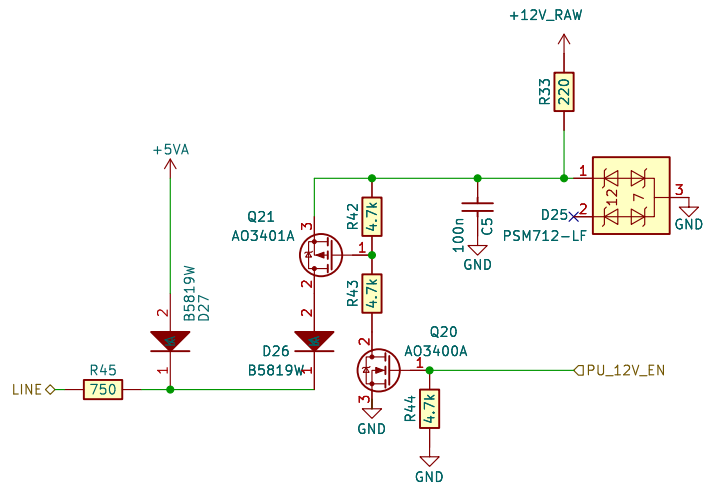
Size: A4

Date:

Rev:

KiCad E.D.A. kicad 7.0.1

Id: 11/14



Sheet: /TACH_PULLUP/
 File: TACH_PU.kicad_sch

Title:

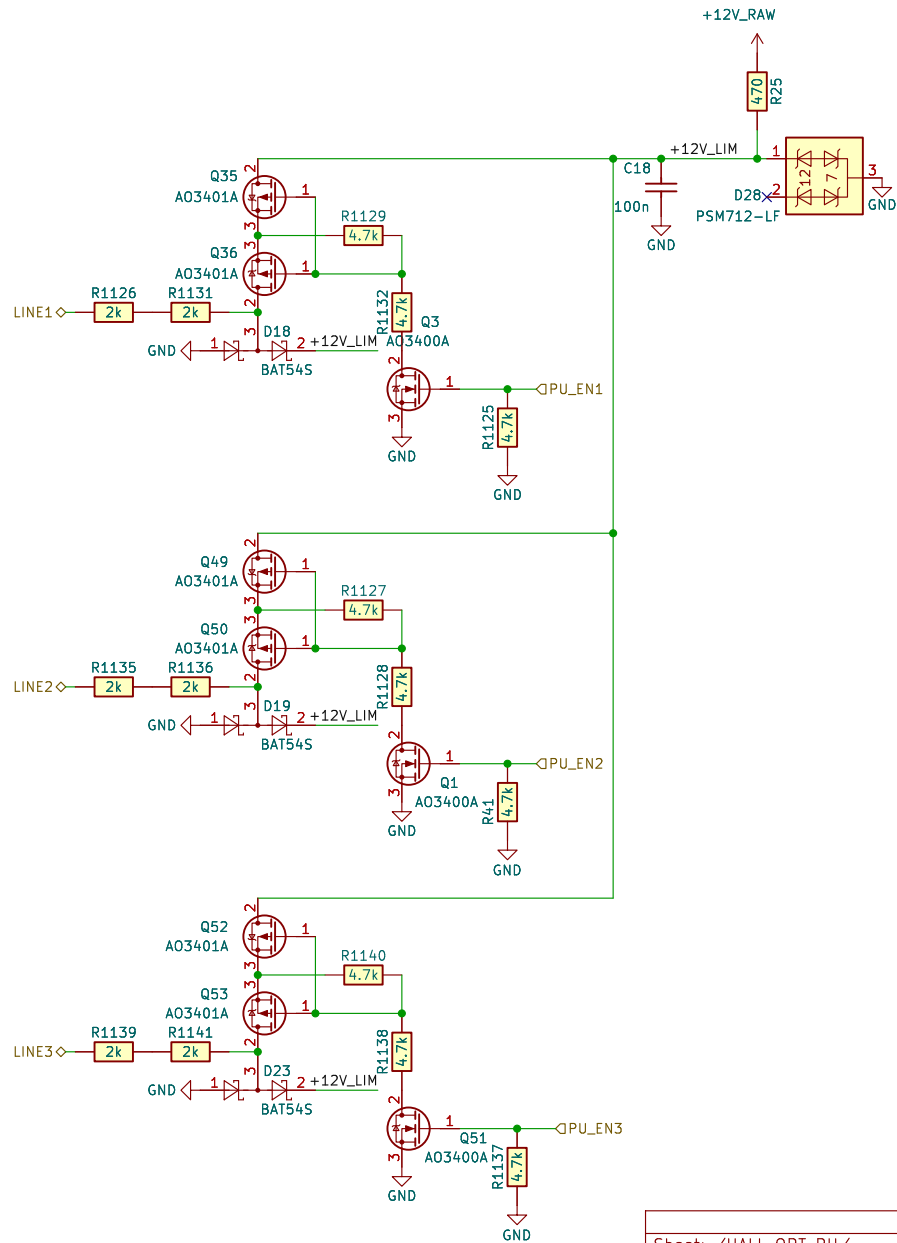
Size: A4

Date:

KiCad E.D.A. kicad 7.0.1

Rev:

Id: 12/14



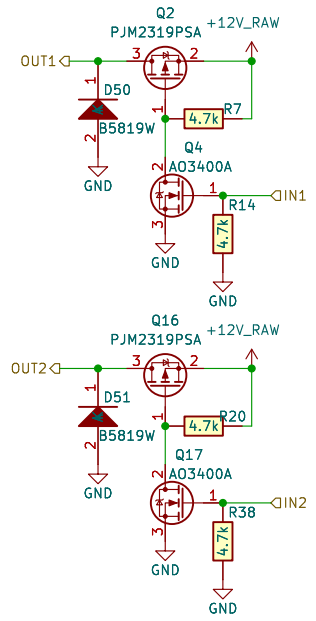
Sheet: /HALL_OPT_PU/
 File: HALL_PU3.kicad_sch

Title:

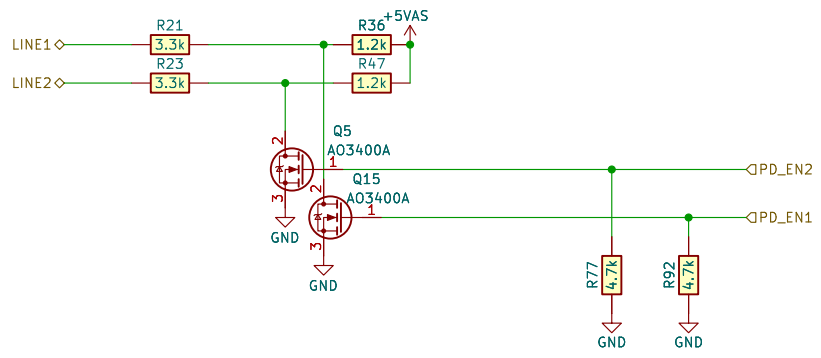
Size: A4
 KiCad E.D.A. kicad 7.0.1

Date:

Rev:
 Id: 13/14



Sheet: /HS/		
File: HS2.kicad_sch		
Title:		
Size: A4	Date:	Rev:
KiCad E.D.A. kicad 7.0.1		Id: 14/14



Sheet: /OPT_PULLDOWNS2/		
File: PD2.kicad_sch		
Title:		
Size: A4	Date:	Rev:
KiCad E.D.A. kicad 7.0.1		Id: 14/14