

Sheet: /DC2/
 File: DC_MOTOR_0.1.kicad_sch

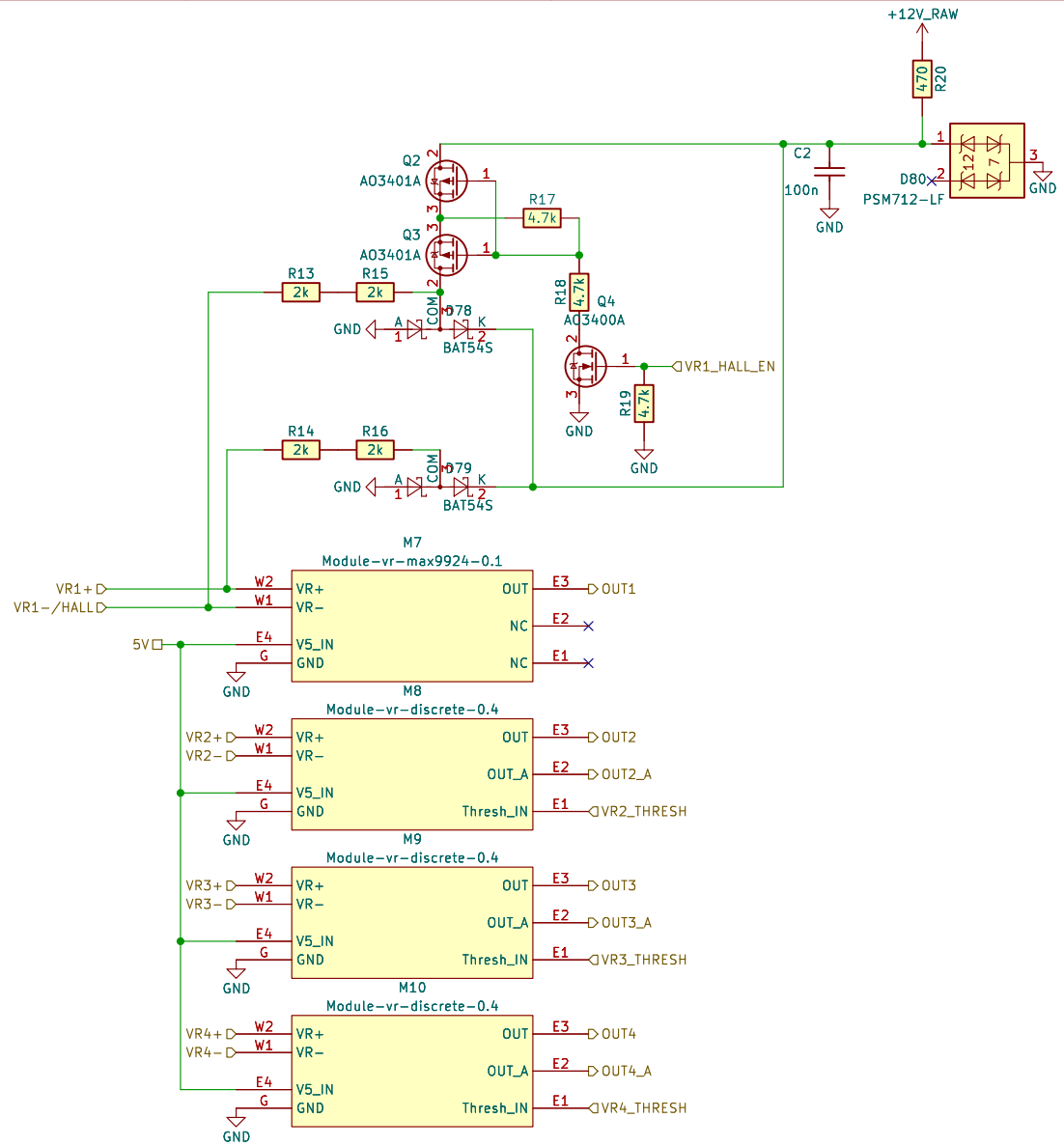
Title: Hellen-One DC motor driver

Size: A4 Date: 2023-09-04

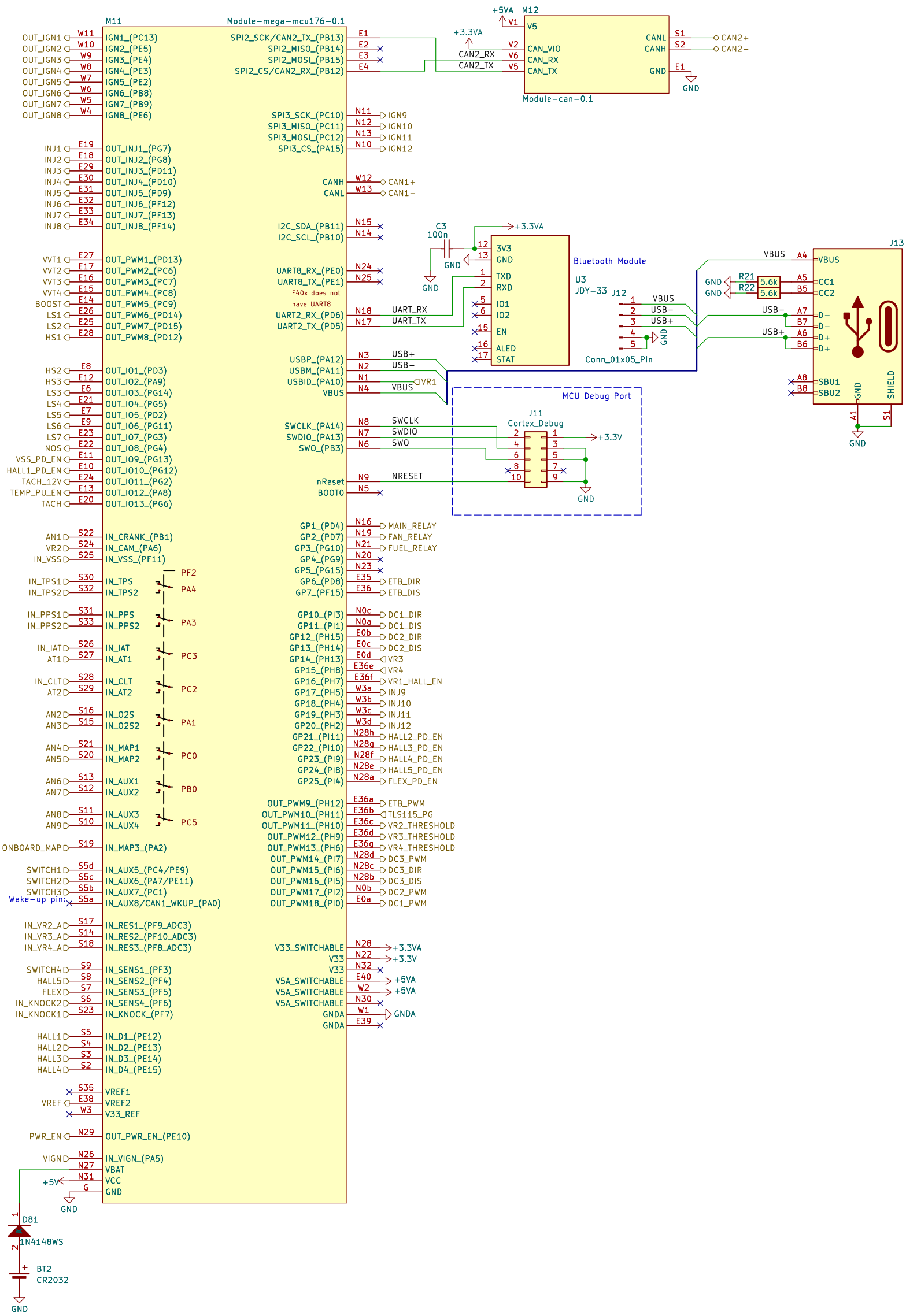
Rev: 0.1

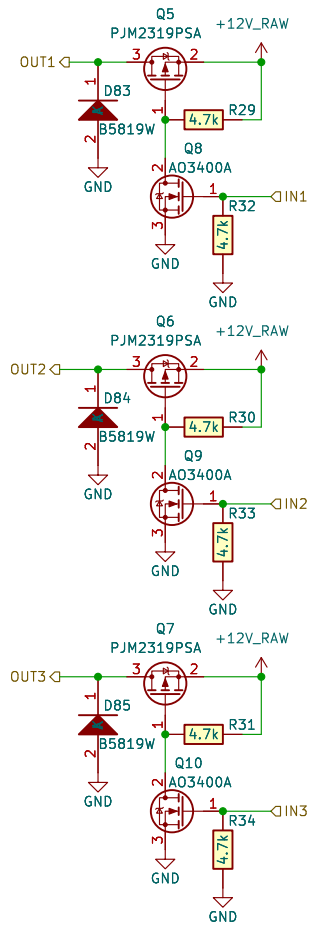
KiCad E.D.A. kicad-cli 7.0.7-7.0.7-ubuntu22.04.1

Id: 1/16



Sheet: /VRx4/		
File: VR4.kicad_sch		
Title:		
Size: A4	Date:	Rev:
KiCad E.D.A.	kicad-cli 7.0.7-7.0.7-ubuntu22.04.1	Id: 2/16



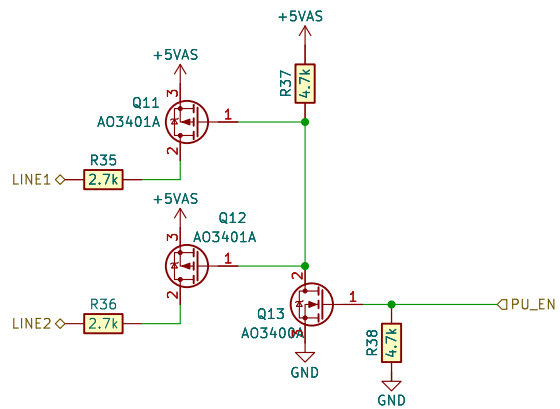


Sheet: /HSx3/
 File: HS3.kicad_sch

Title:

Size: A4 Date:
 KiCad E.D.A. kicad-cli 7.0.7-7.0.7-ubuntu22.04.1

Rev:
 Id: 4/16



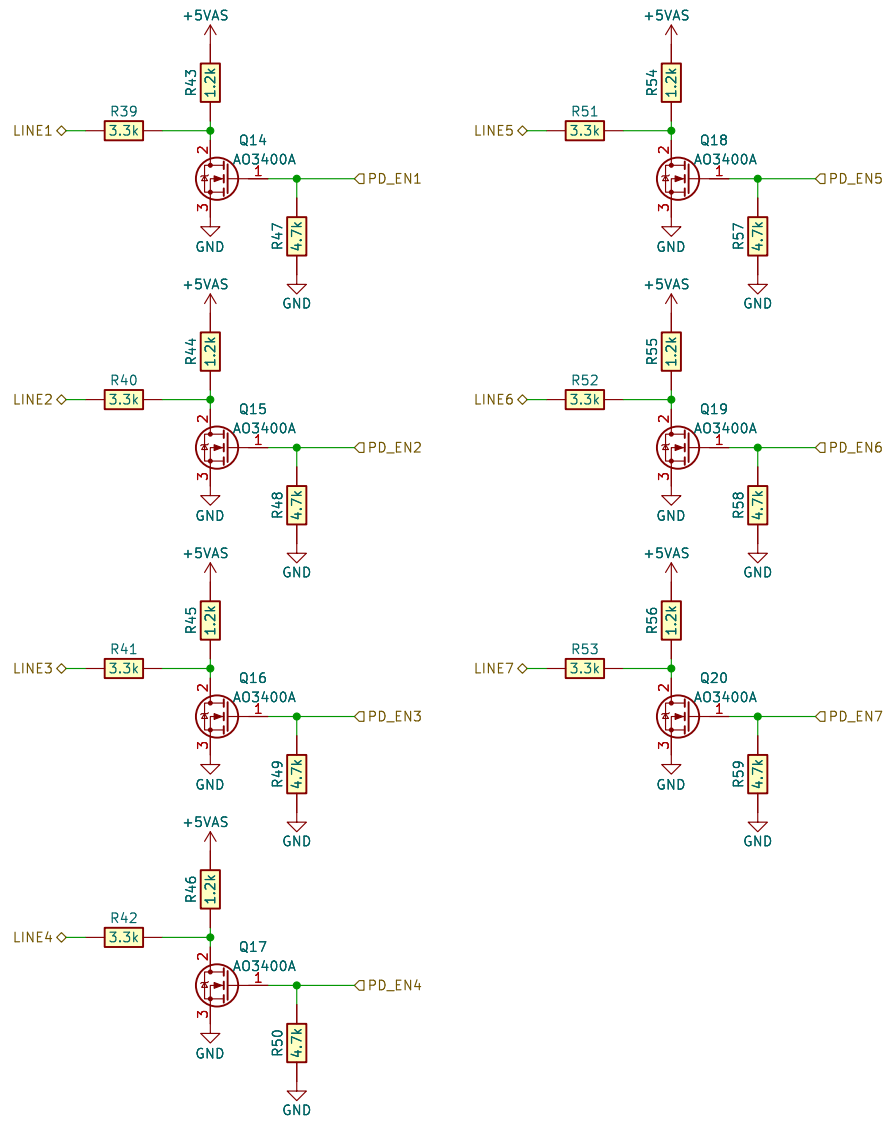
Sheet: /TEMP_PU/
 File: DOUBLE_PU.kicad_sch

Title:

Size: A4
 KiCad E.D.A. kicad-cli 7.0.7-7.0.7-ubuntu22.04.1

Date:

Rev:
 Id: 5/16



Sheet: /OPT_PULLDOWNS/
 File: PD7.kicad_sch

Title:

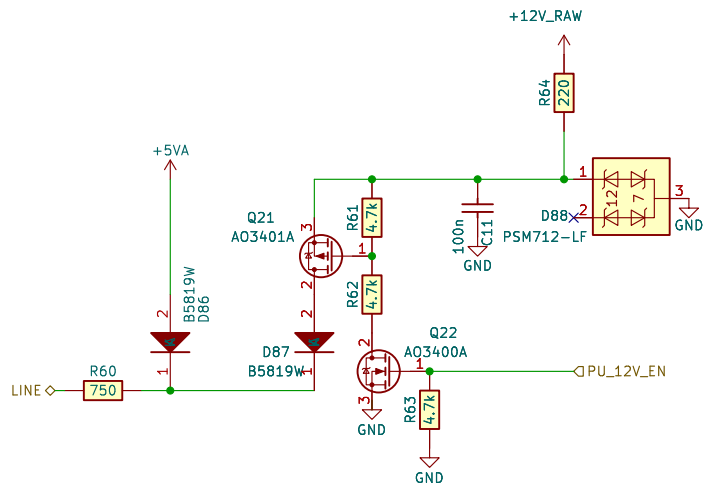
Size: A4

Date:

KiCad E.D.A. kicad-cli 7.0.7-7.0.7-ubuntu22.04.1

Rev:

Id: 6/16



Sheet: /TACH_PULLUP/
 File: TACH_PU.kicad_sch

Title:

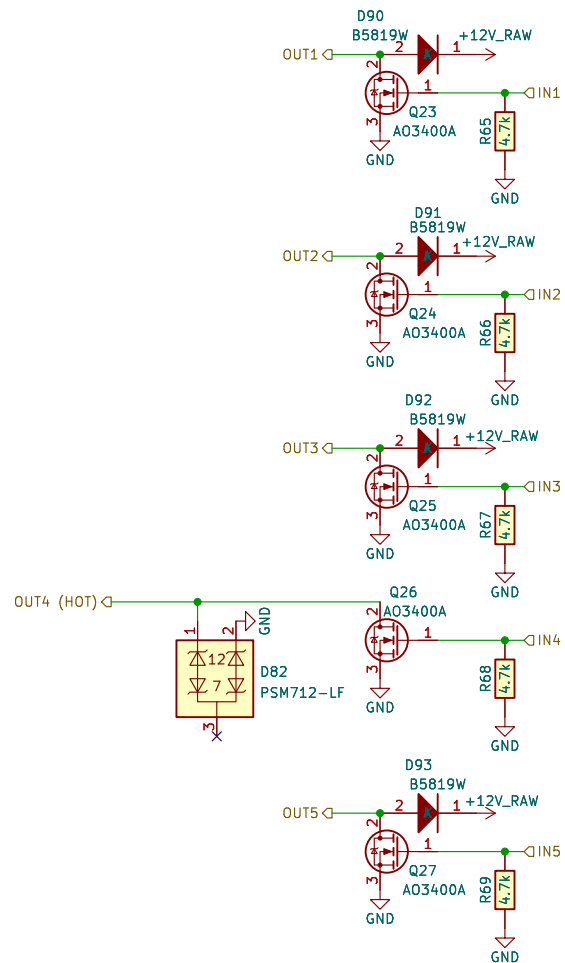
Size: A4

Date:

Rev:

KiCad E.D.A. kicad-cli 7.0.7-7.0.7-ubuntu22.04.1

Id: 7/16

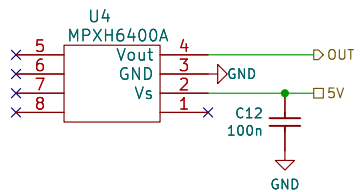


Sheet: /LS_weak/
 File: LS_weak.kicad_sch

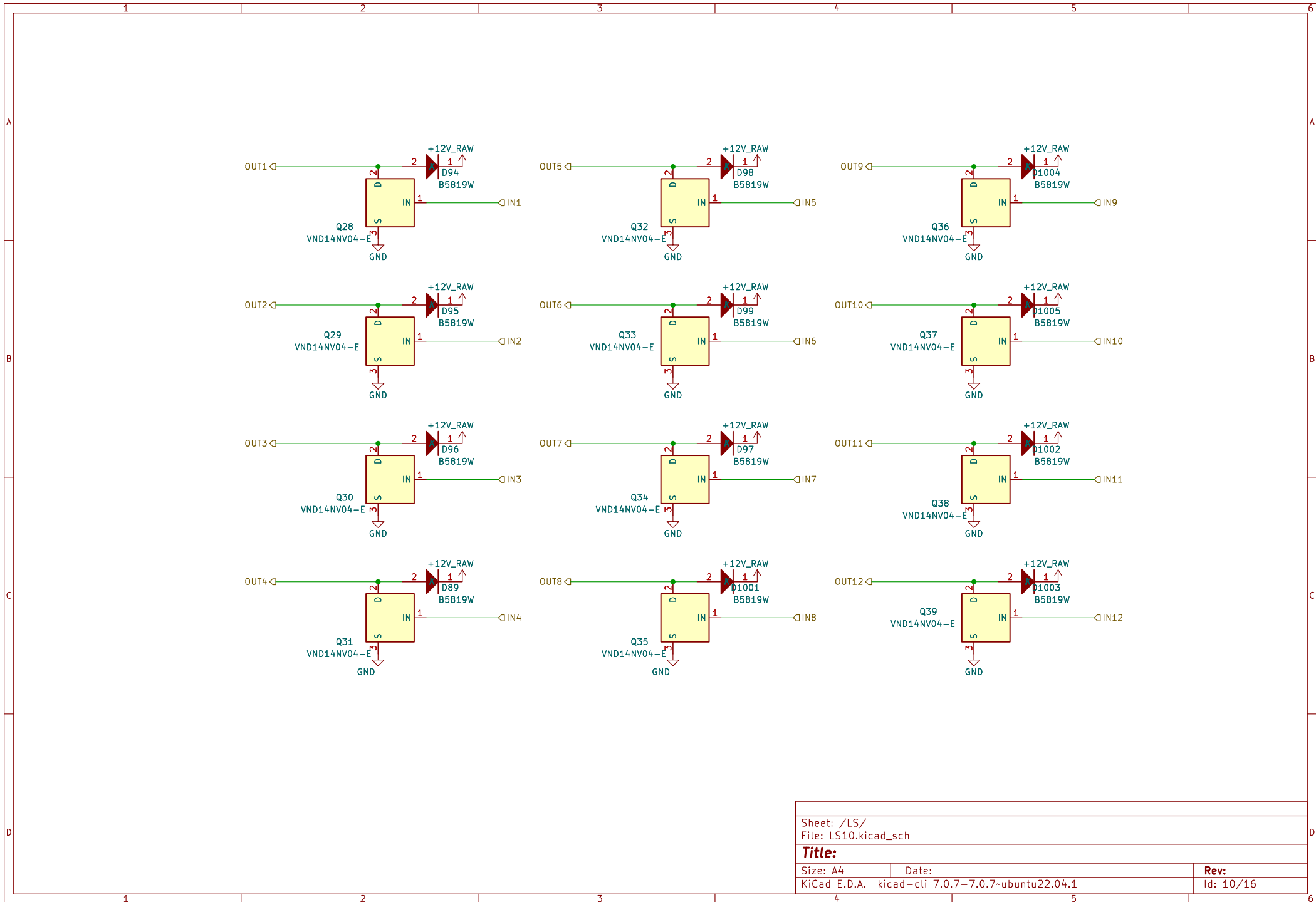
Title:

Size: A4 Date:
 KiCad E.D.A. kicad-cli 7.0.7-7.0.7-ubuntu22.04.1

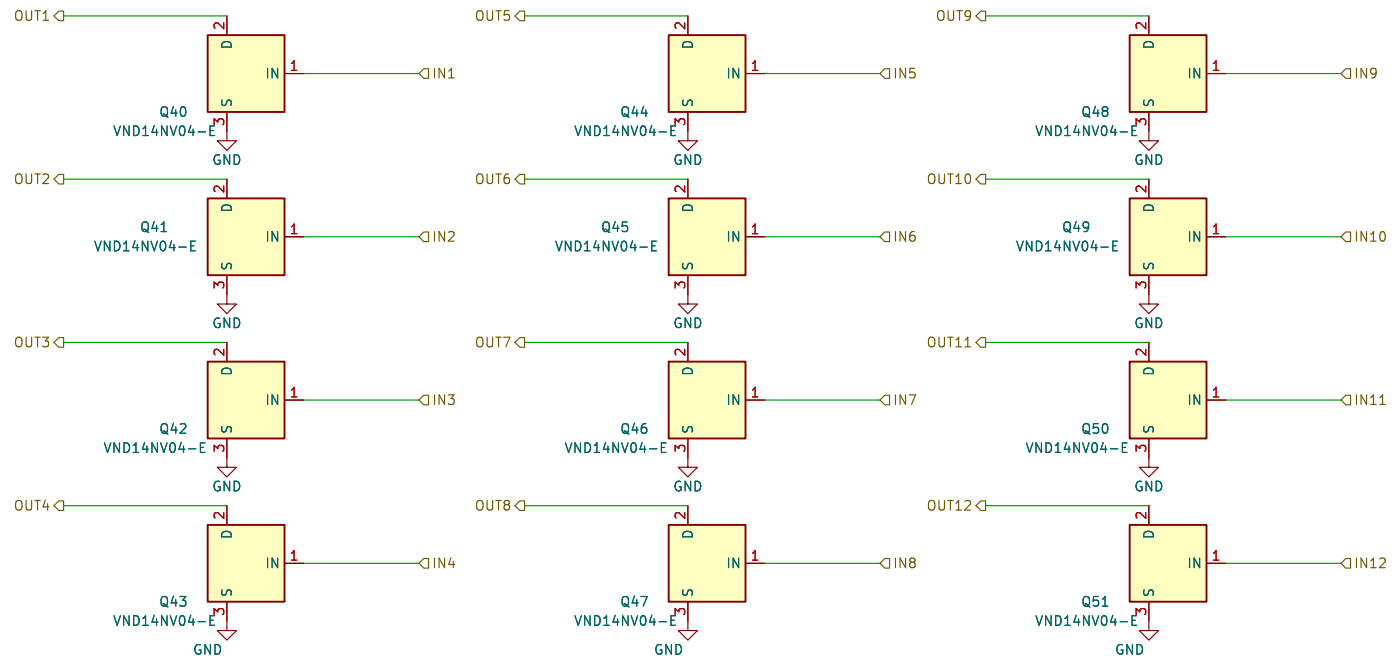
Rev:
 Id: 8/16



Sheet: /MAP/		
File: MAP.kicad_sch		
Title:		
Size: A4	Date:	Rev:
KiCad E.D.A. kicad-cli 7.0.7-7.0.7-ubuntu22.04.1		Id: 9/16



Sheet: /LS/		Date:	
File: LS10.kicad_sch		Rev:	
Size: A4	KiCad E.D.A. kicad-cli 7.0.7-7.0.7-ubuntu22.04.1		Id: 10/16

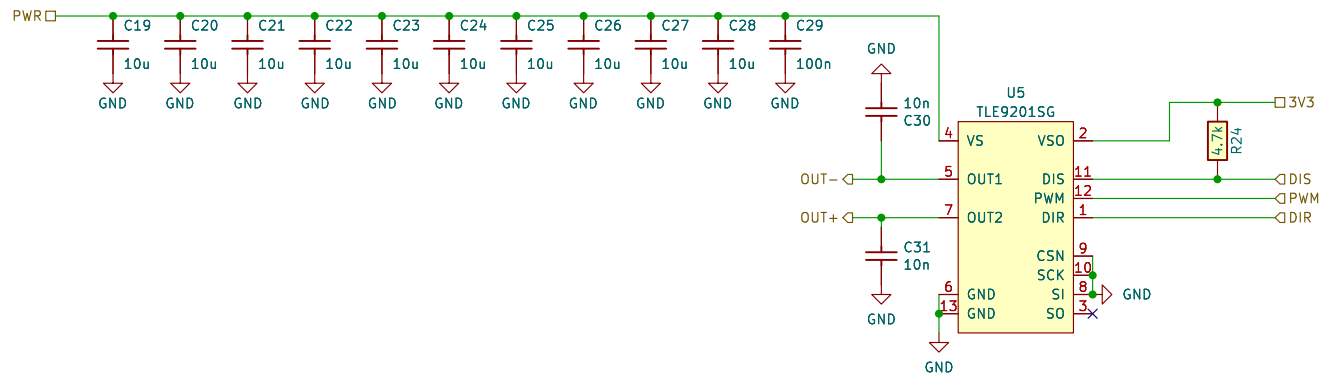


Sheet: /INJ/
 File: INJ12.kicad_sch

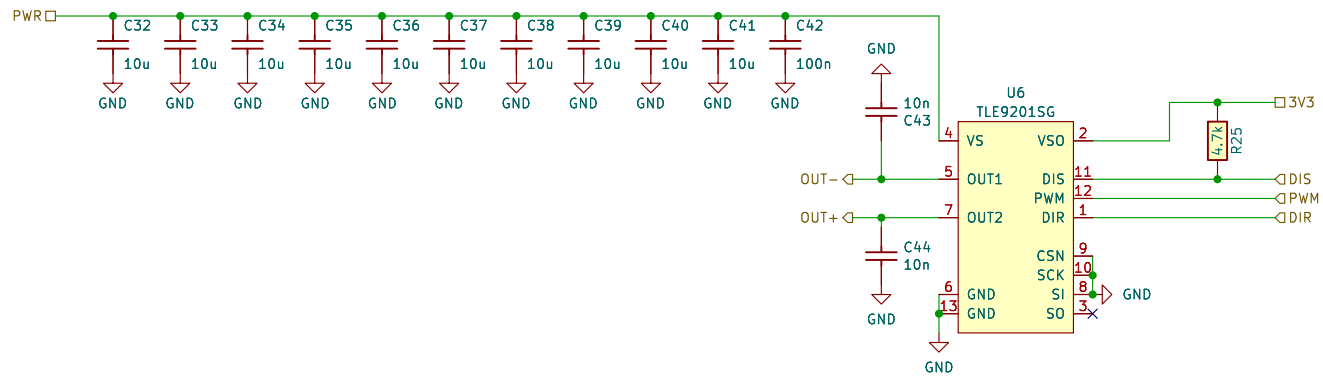
Title:

Size: A4 Date:
 KiCad E.D.A. kicad-cli 7.0.7-7.0.7-ubuntu22.04.1

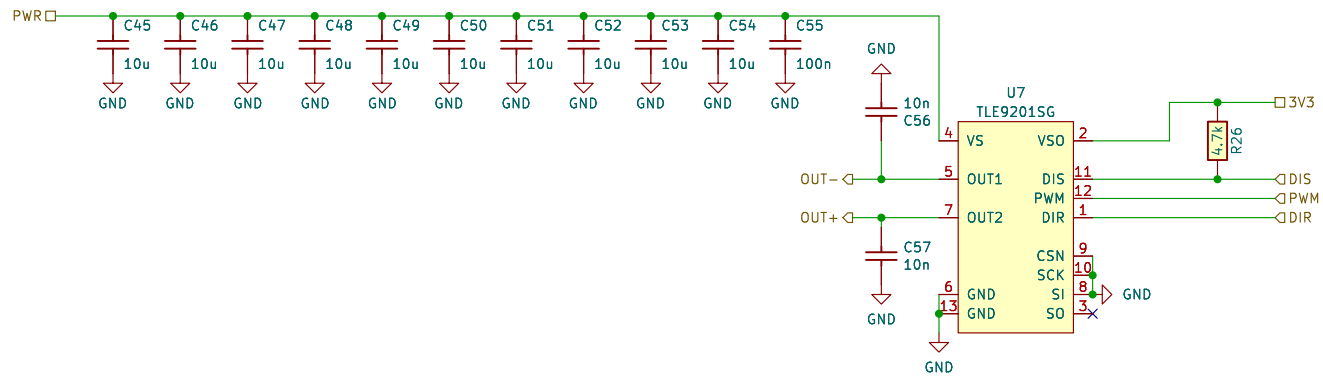
Rev:
 Id: 11/16



Sheet: /DC1/		
File: DC_MOTOR_0.1.kicad_sch		
Title: Hellen-One DC motor driver		
Size: A4	Date: 2023-09-04	Rev: 0.1
KiCad E.D.A. kicad-cli 7.0.7-7.0.7-ubuntu22.04.1		Id: 12/16



Sheet: /DC3/		Date: 2023-09-04	
File: DC_MOTOR_0.1.kicad_sch		Rev: 0.1	
Title: Hellen-One DC motor driver		KiCad E.D.A. kicad-cli 7.0.7-7.0.7-ubuntu22.04.1	
Size: A4	Date: 2023-09-04	Id: 13/16	



Sheet: /DC4/

File: DC_MOTOR_0.1.kicad_sch

Title: Hellen-One DC motor driver

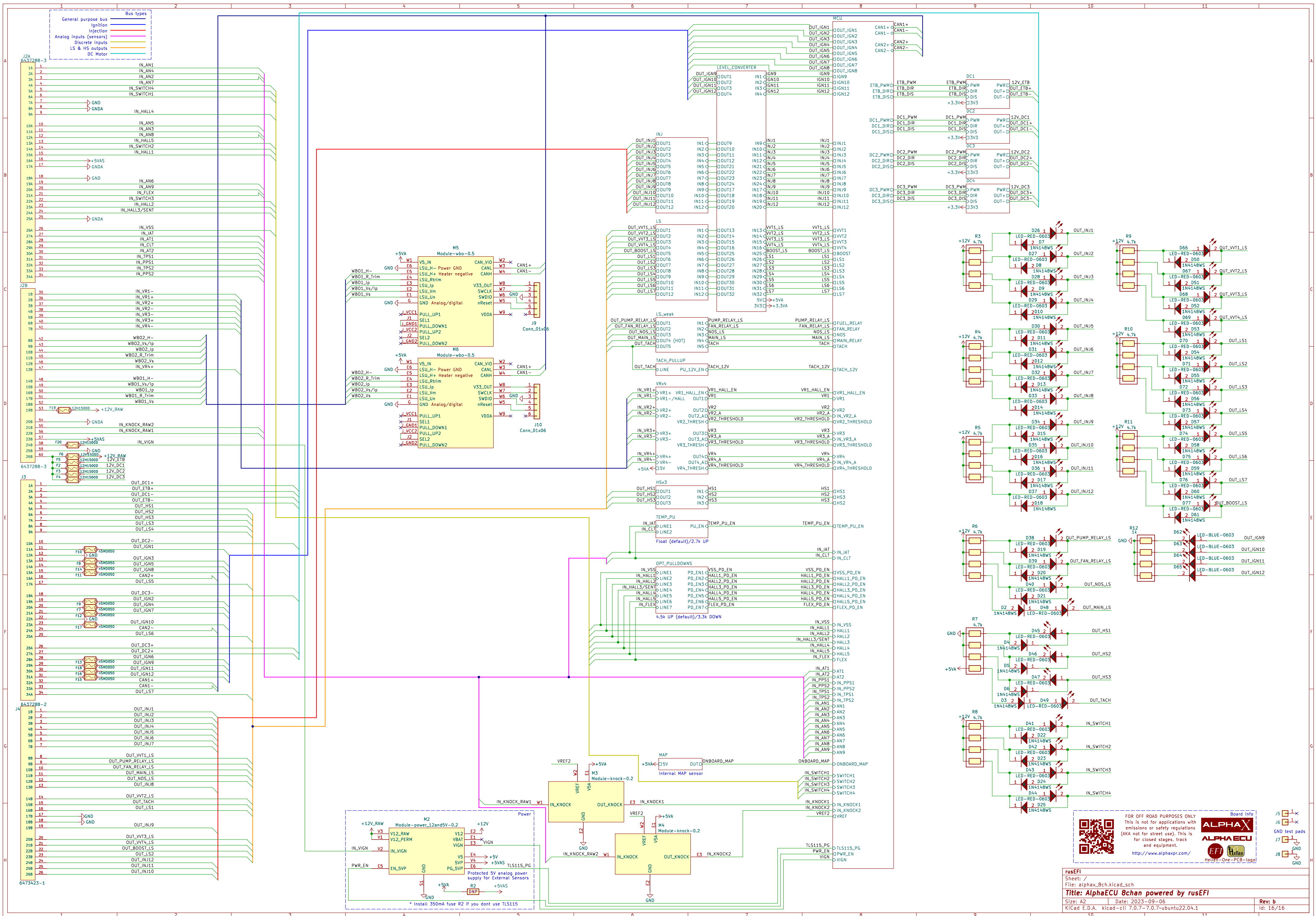
Size: A4

Date: 2023-09-04

Rev: 0.1

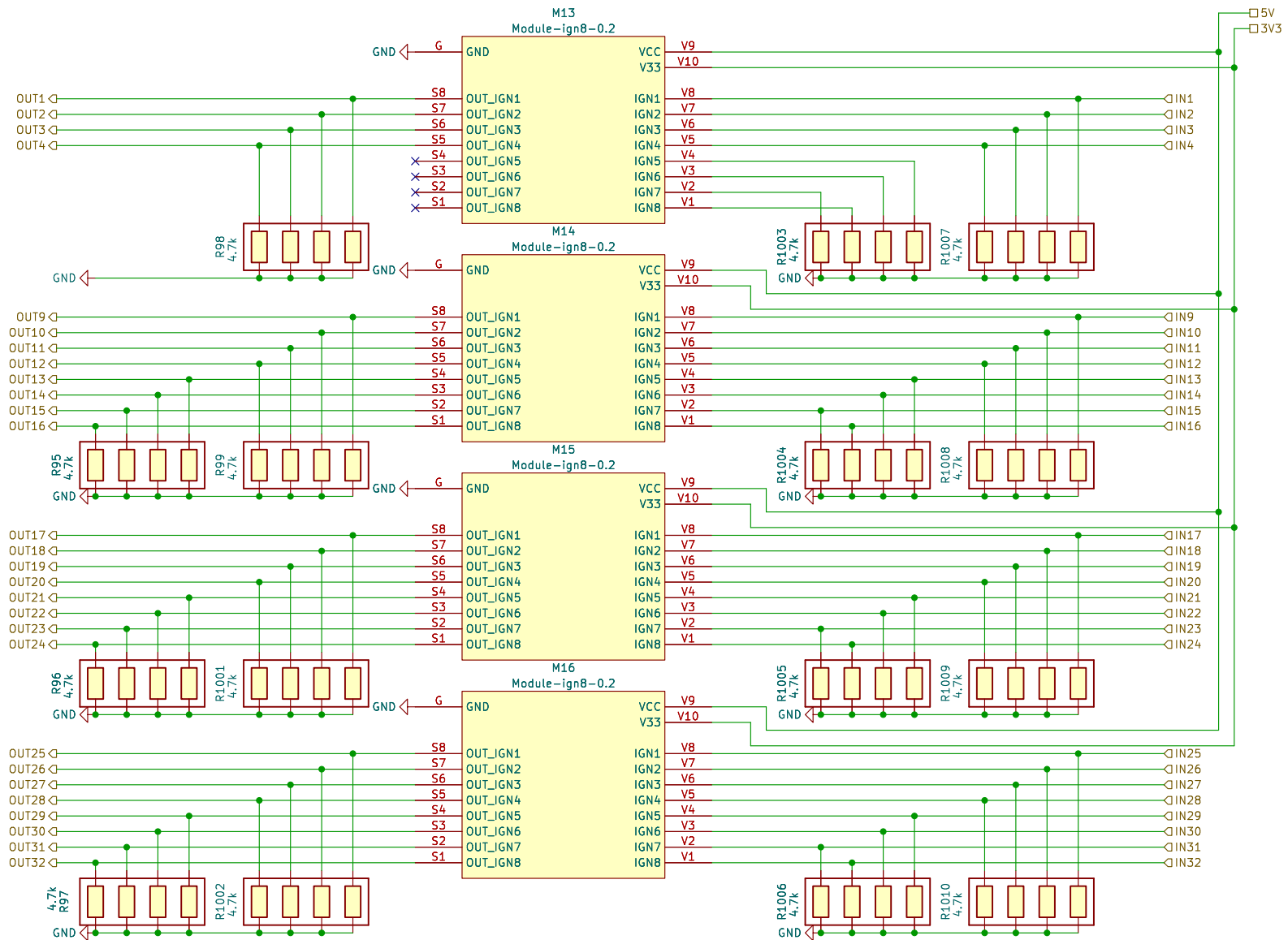
KiCad E.D.A. kicad-cli 7.0.7-7.0.7-ubuntu22.04.1

Id: 14/16



FOR OFF ROAD PURPOSES ONLY
 This is not for applications with emissions or safety regulations (AKA not for street use). This is for closed stages, track and equipment.
<http://www.alphaecur.com/>

Board info
ALPHAECU
 Hellen-One-PCB-Logo



Sheet: /LEVEL_CONVERTER/
 File: LEVEL_CONVERTER.kicad_sch

Title:

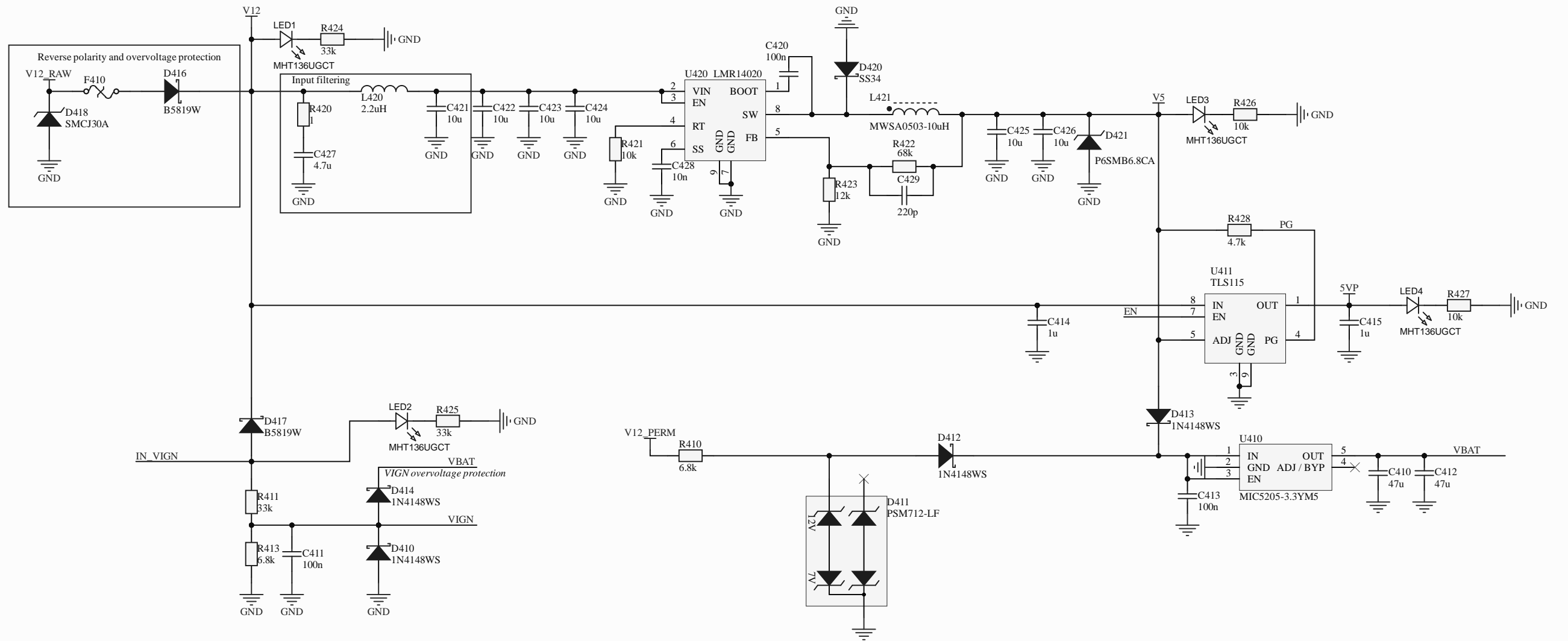
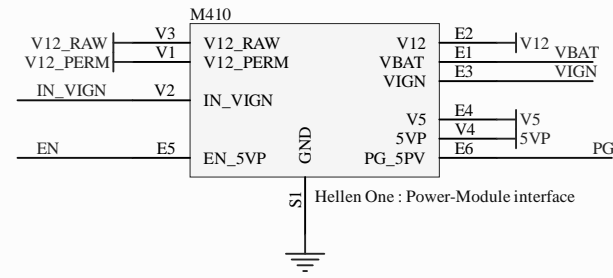
Size: A4

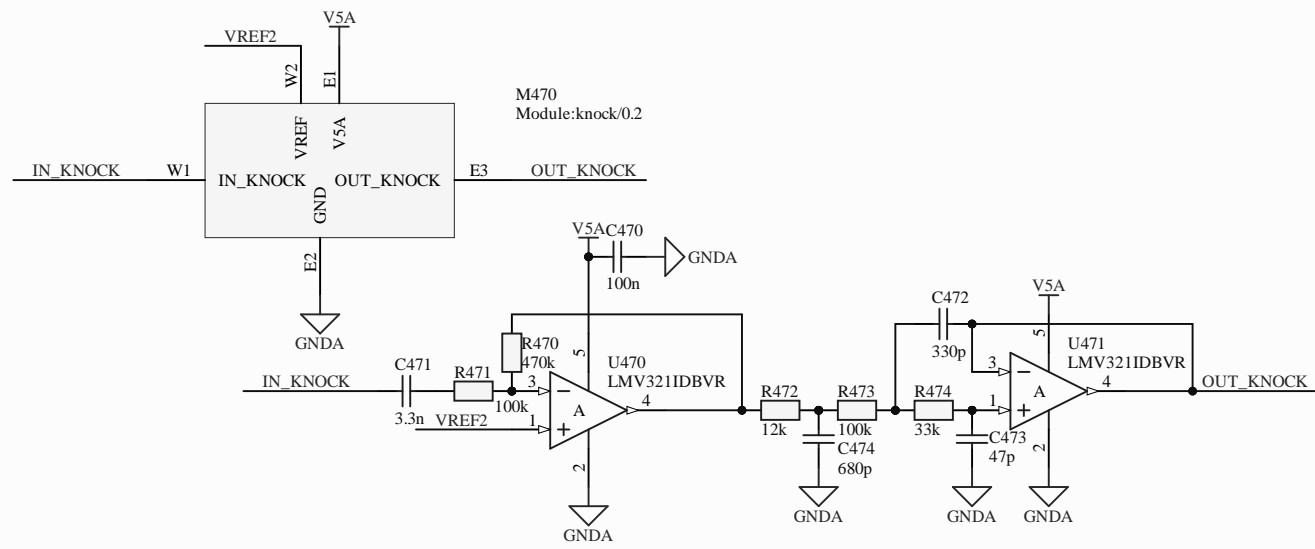
Date:

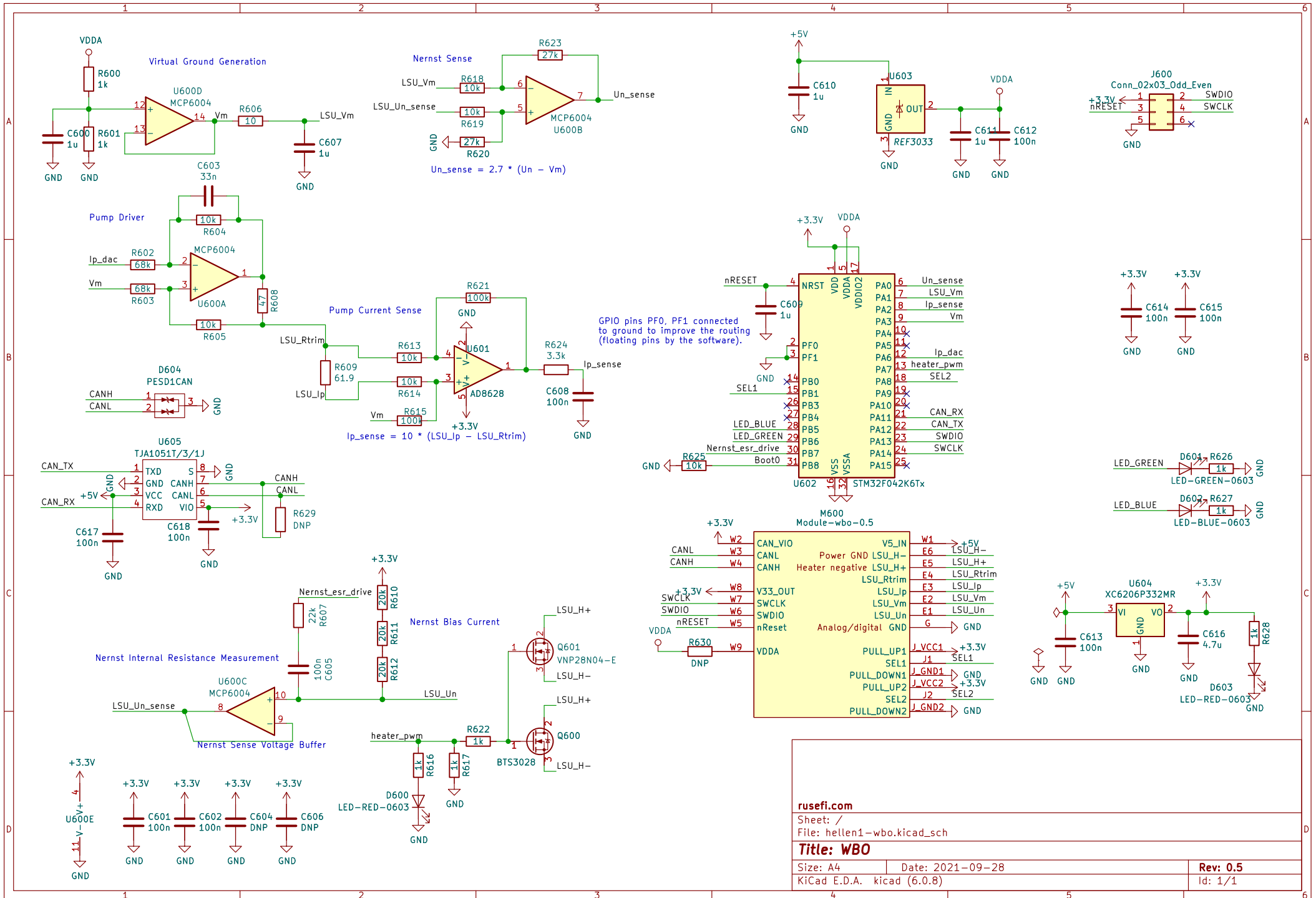
KiCad E.D.A. kicad-cli 7.0.7-7.0.7-ubuntu22.04.1

Rev:

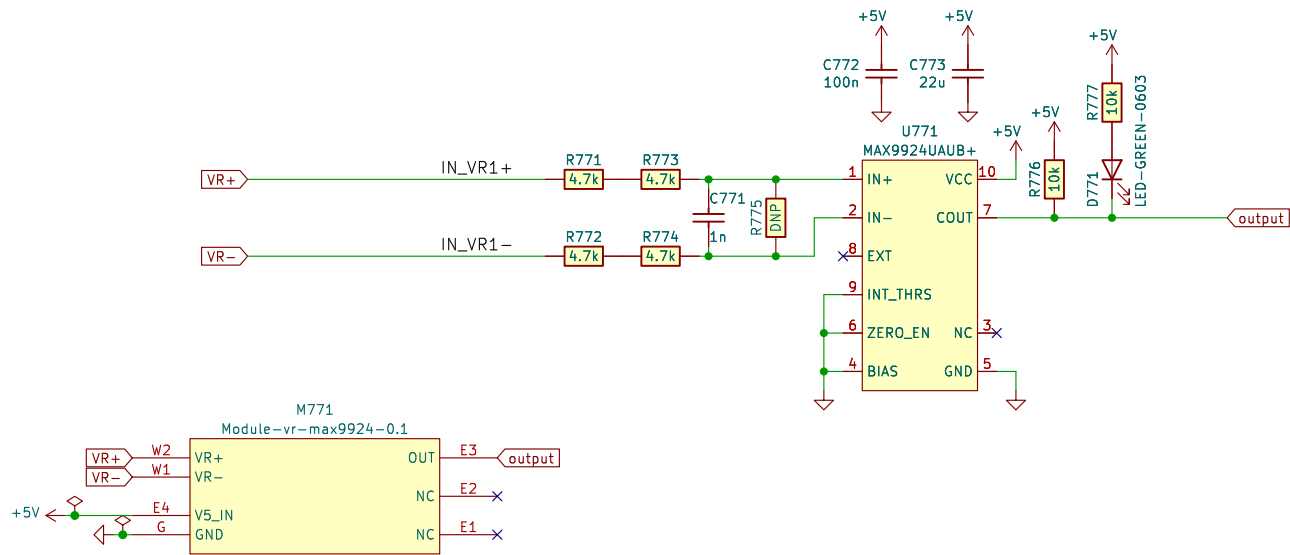
Id: 16/16



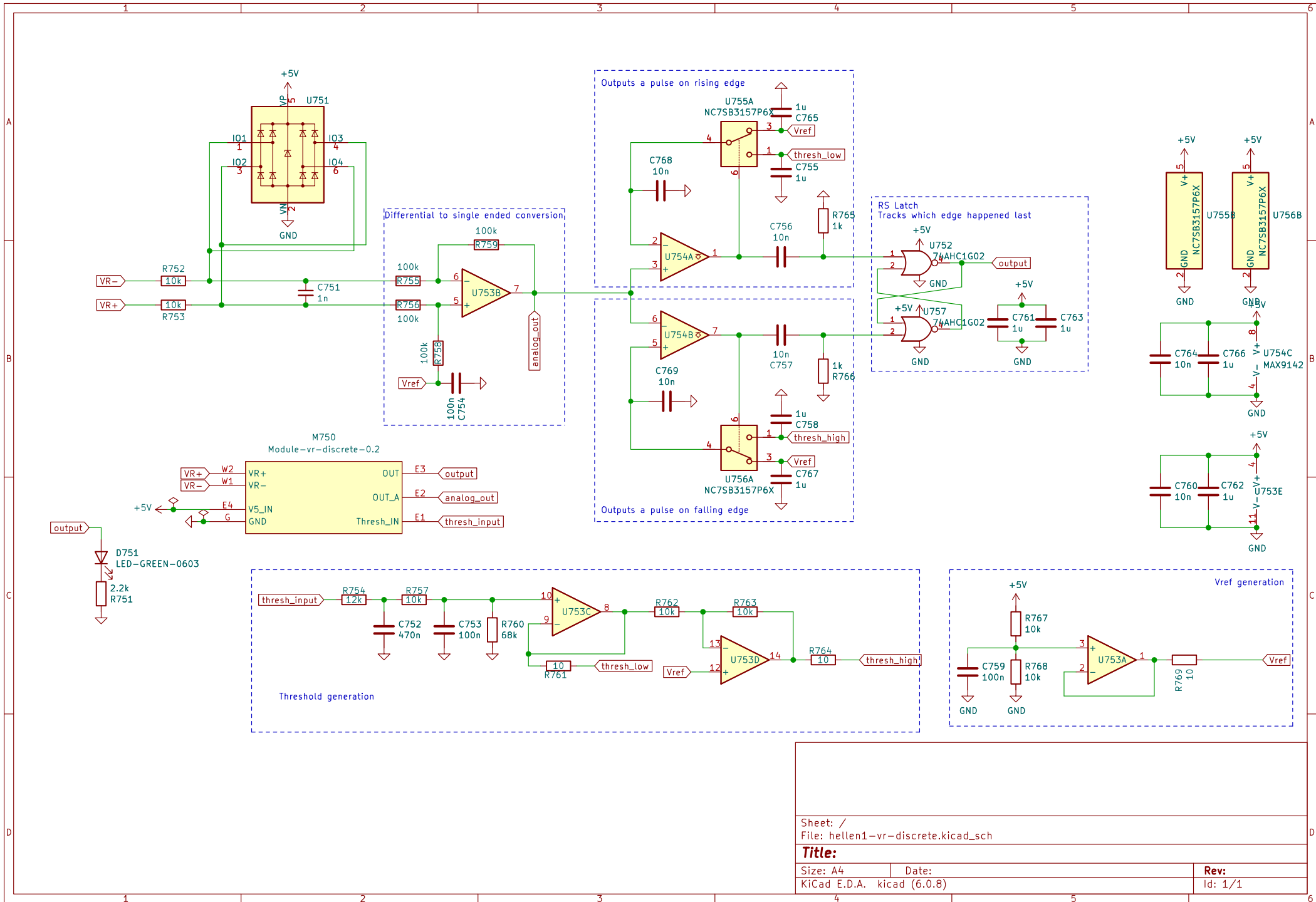




rusefi.com	
Sheet: /	
File: hellen1-wbo.kicad_sch	
Title: WBO	
Size: A4	Date: 2021-09-28
KiCad E.D.A. kicad (6.0.8)	Rev: 0.5
	Id: 1/1

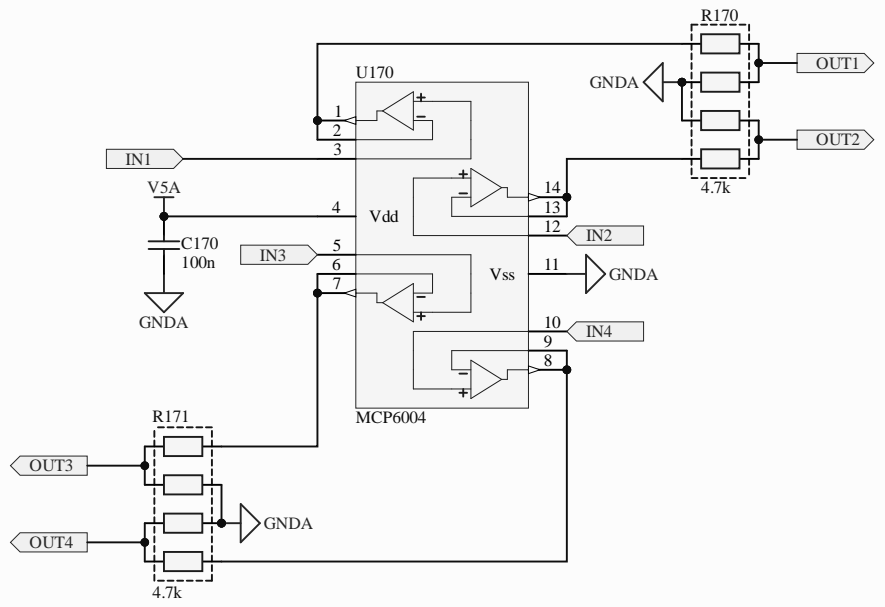


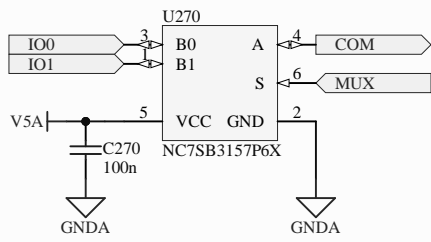
Sheet: /	
File: hellen1-vr-max9924.kicad_sch	
Title: VR MAX9924 module	
Size: A4	Date: 2023-07-25
KiCad E.D.A. kicad 7.0.7	Rev: 0.1
	Id: 1/1

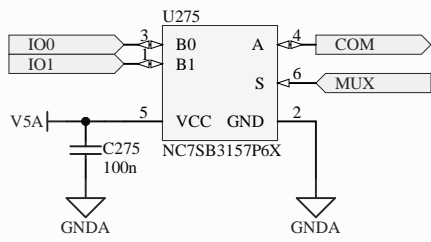


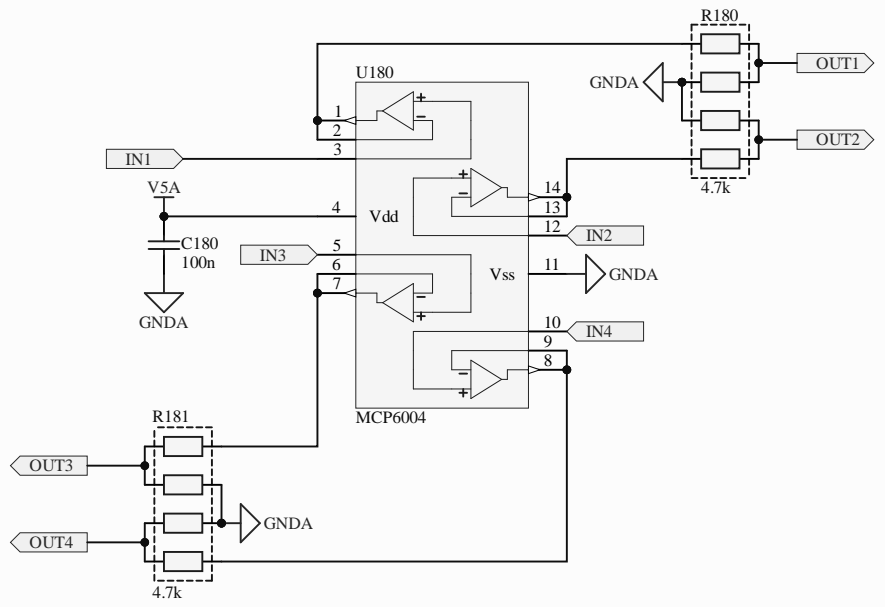
Sheet: /
 File: hellen1-vr-discrete.kicad_sch

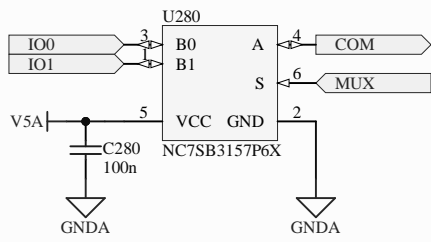
Title:	
Size: A4	Date:
KiCad E.D.A. kicad (6.0.8)	Rev: 1/1

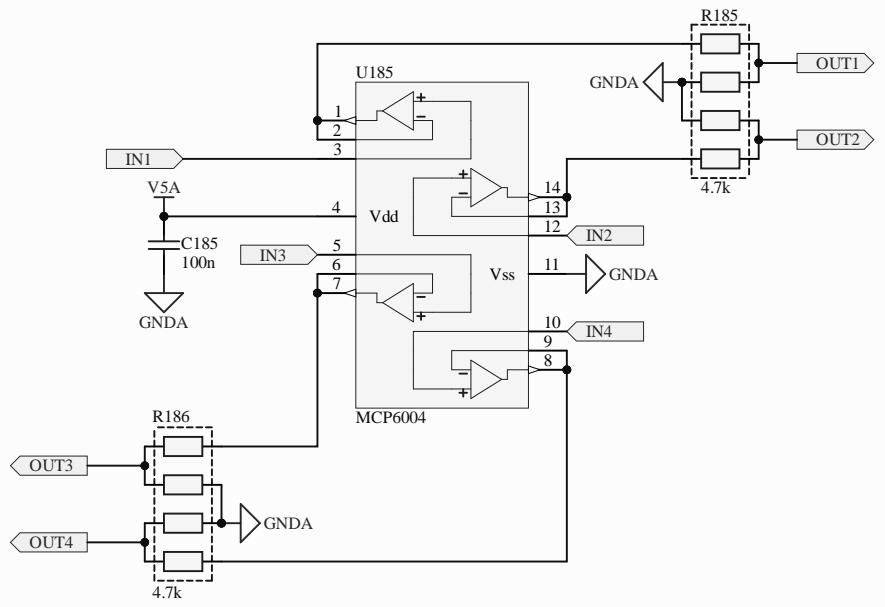


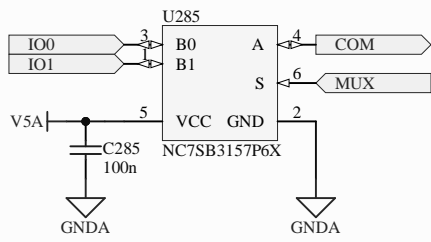


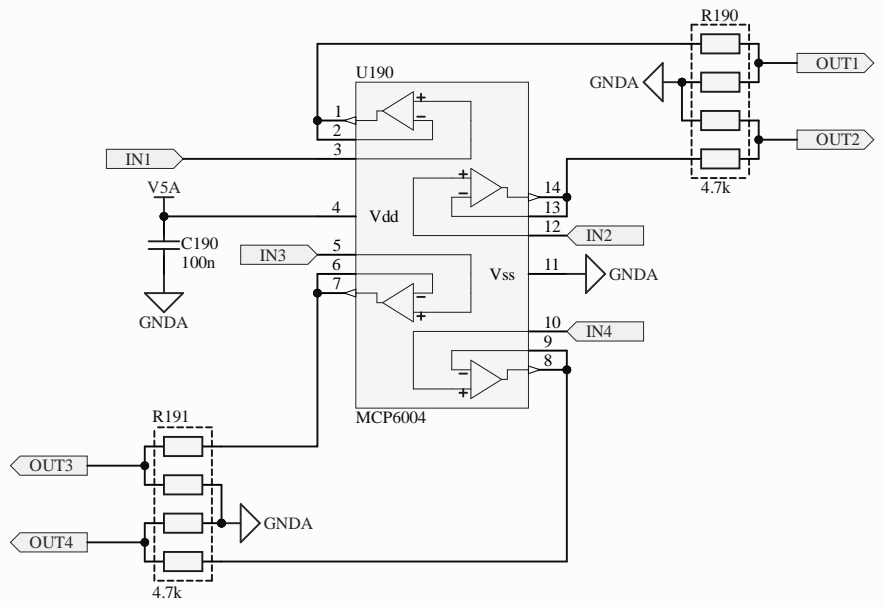


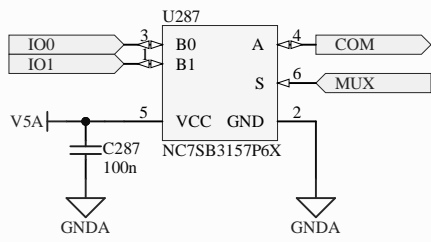


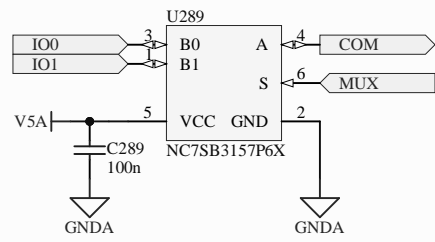


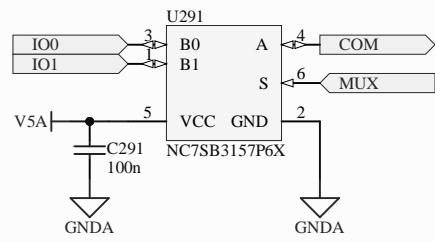


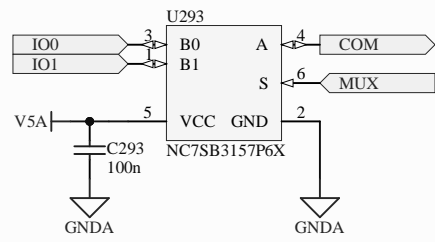


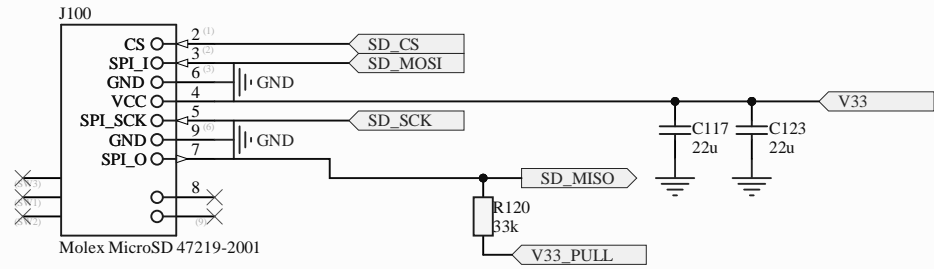


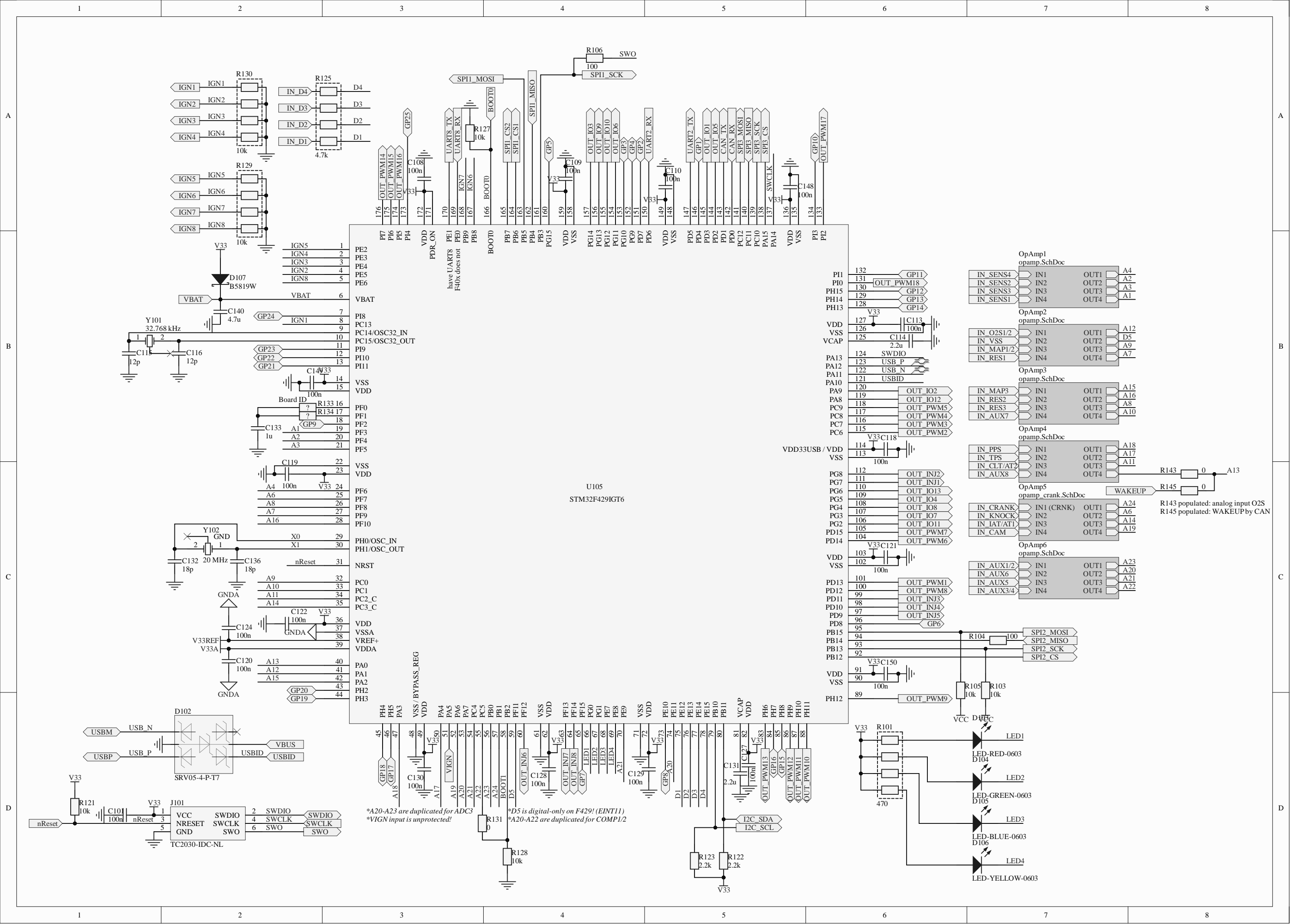












A

B

C

D

E

F

G

H

A

B

C

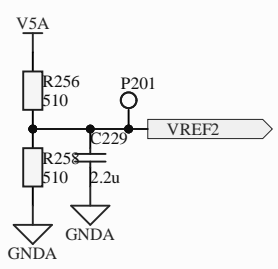
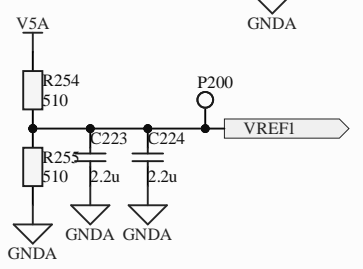
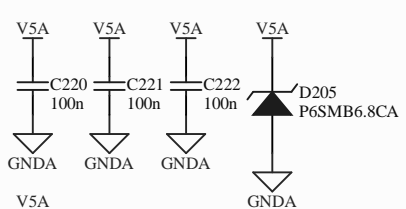
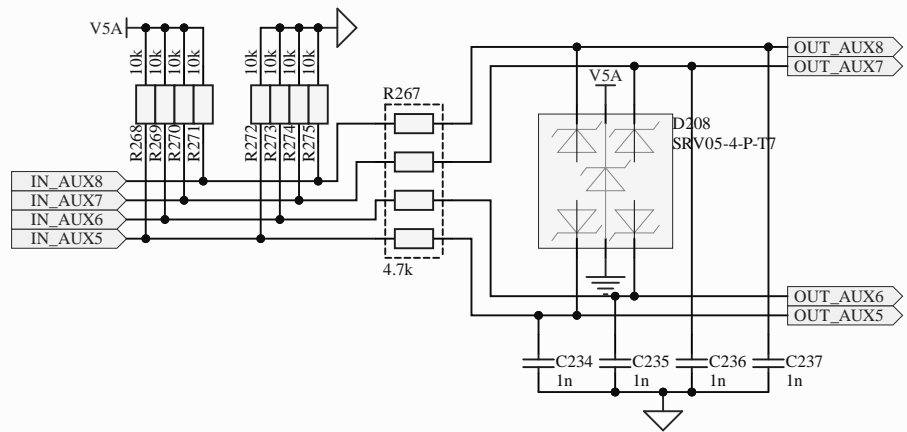
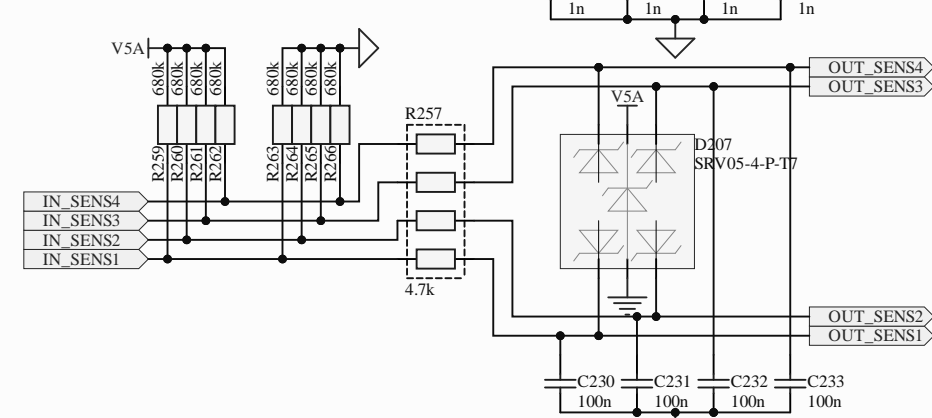
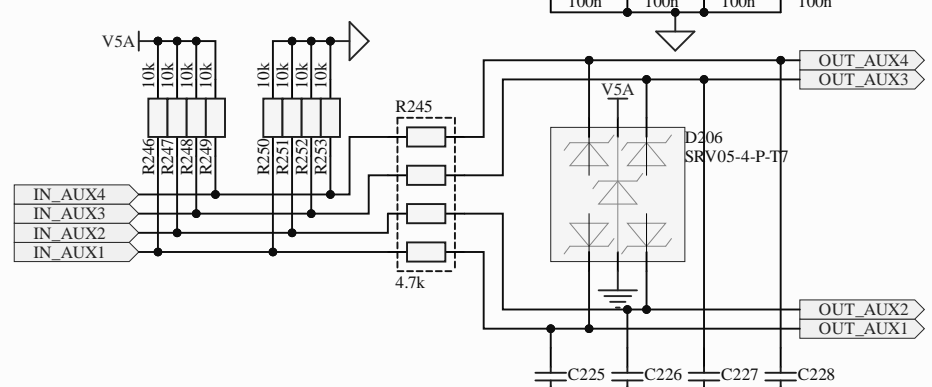
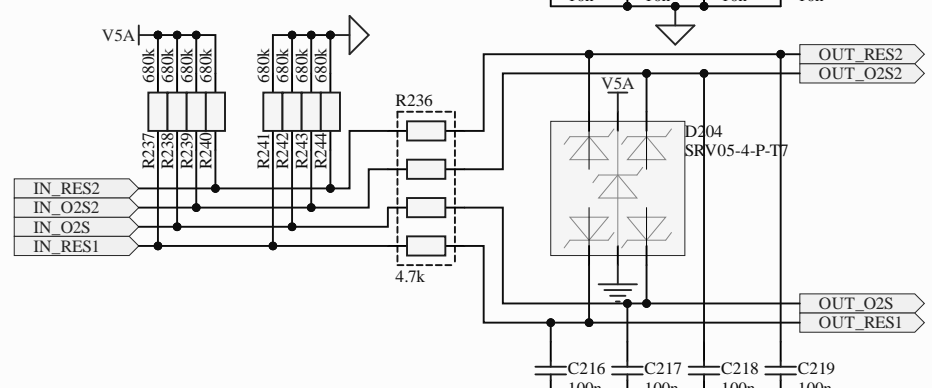
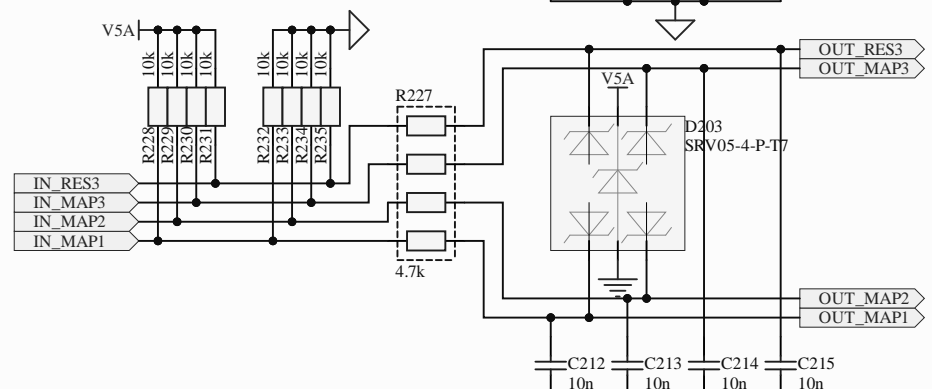
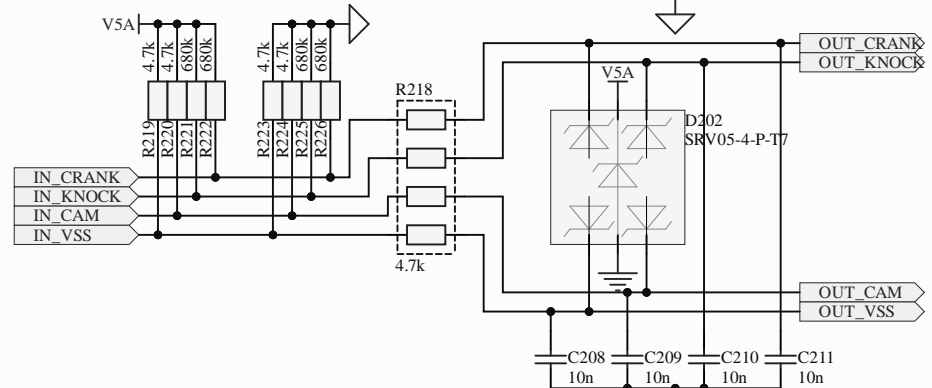
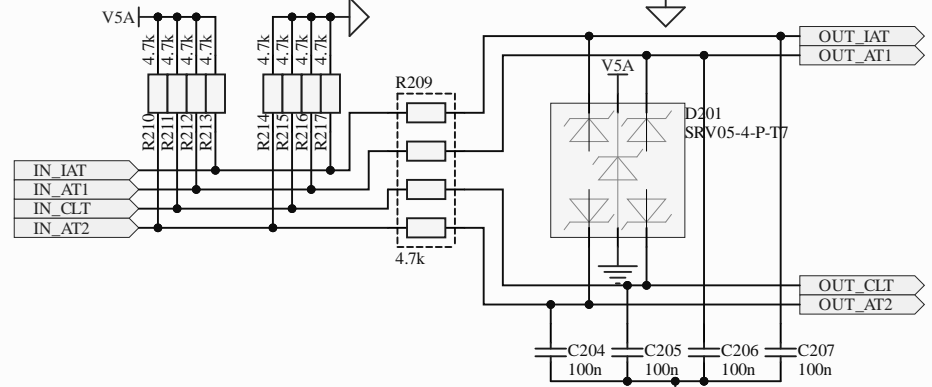
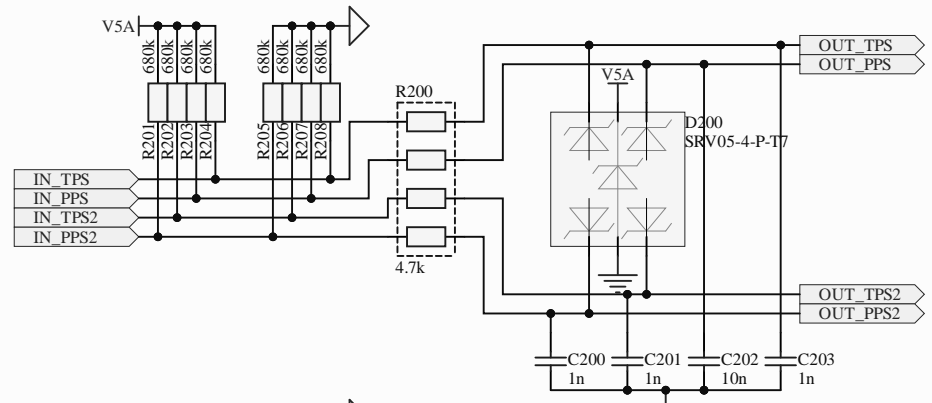
D

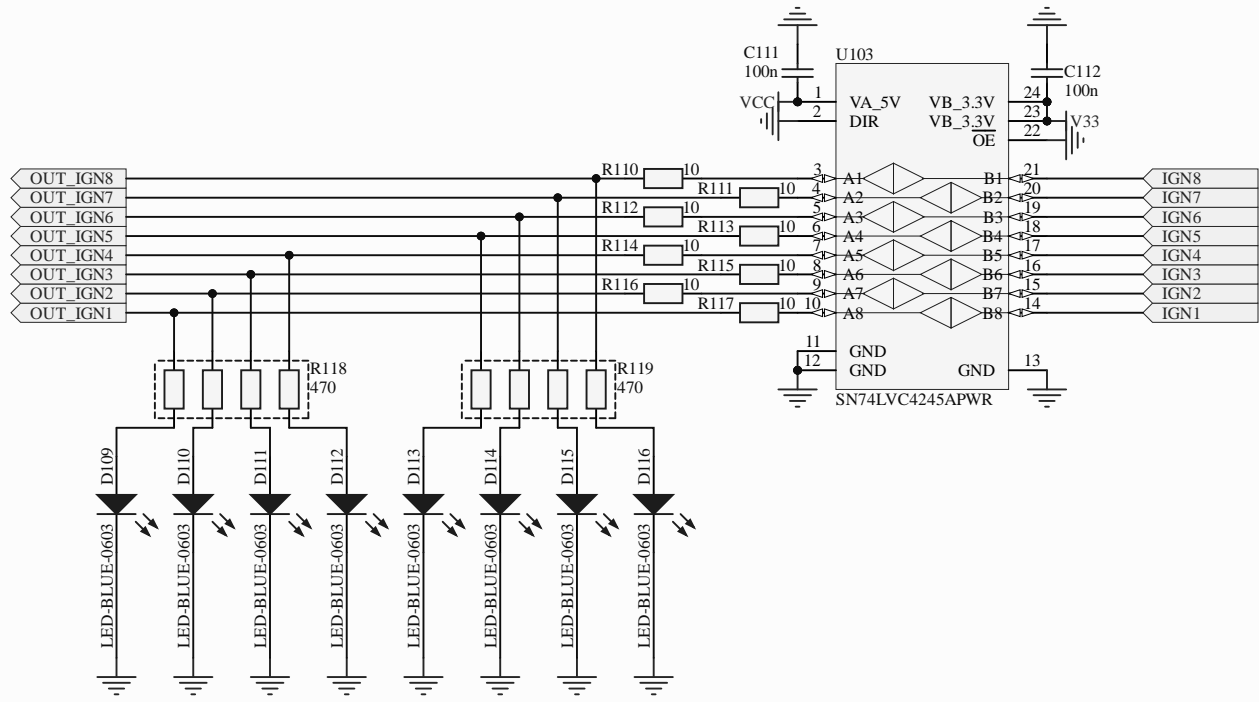
E

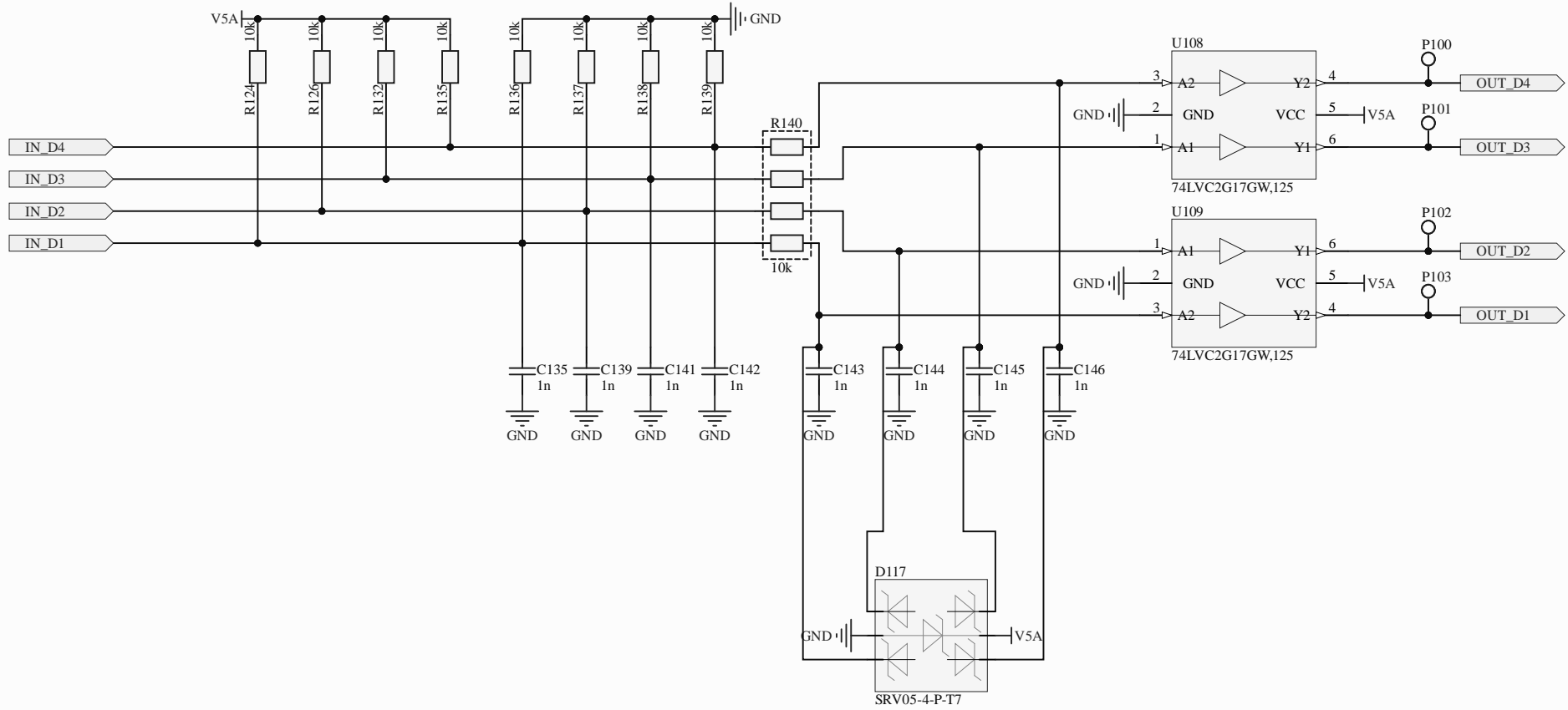
F

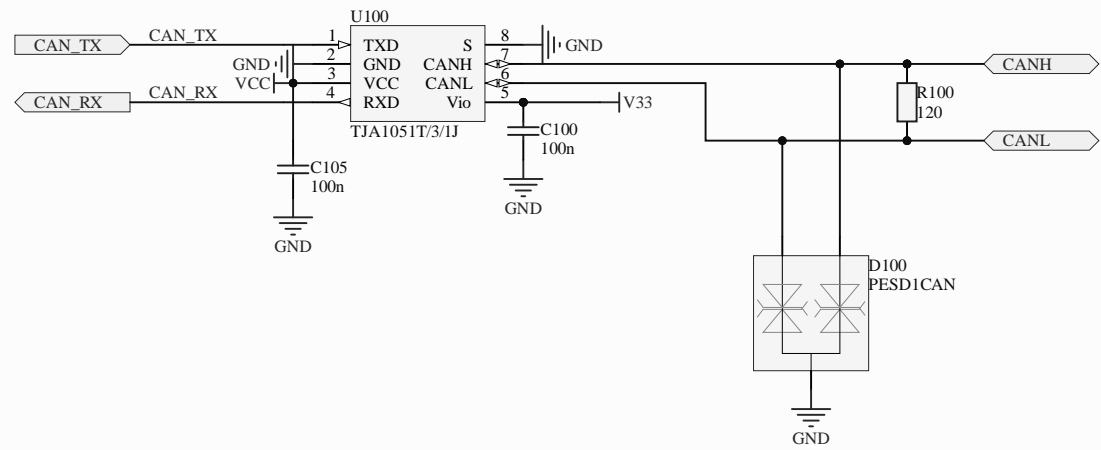
G

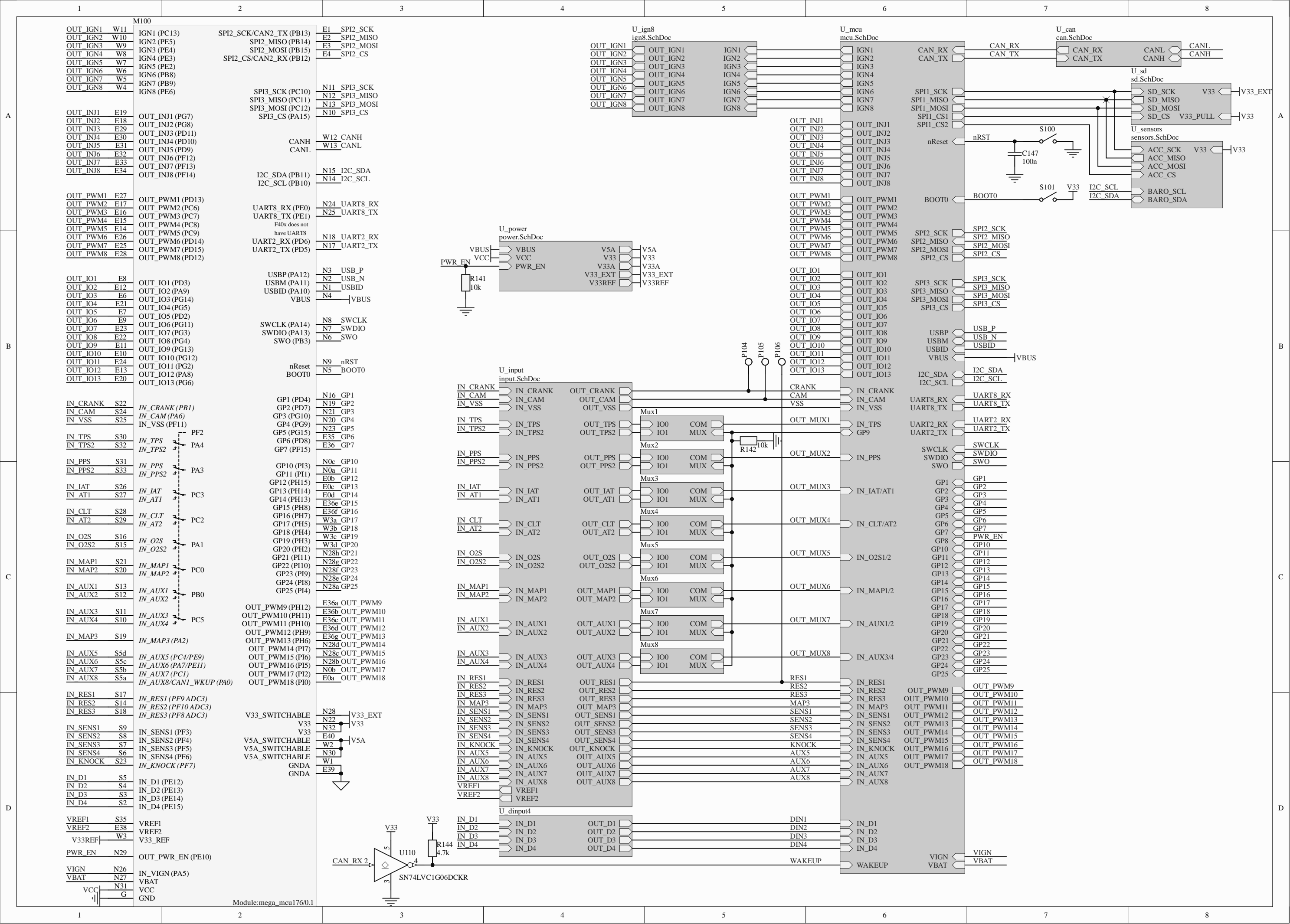
H



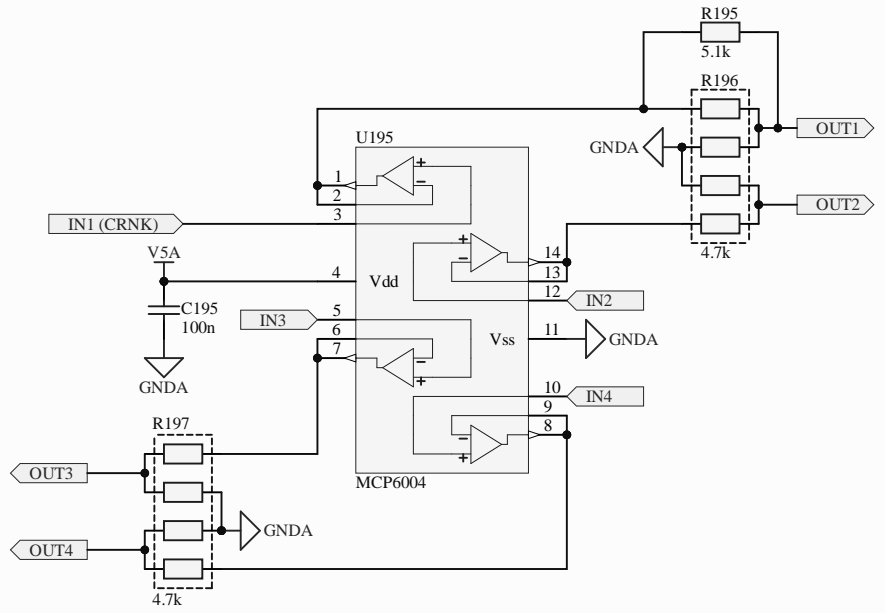


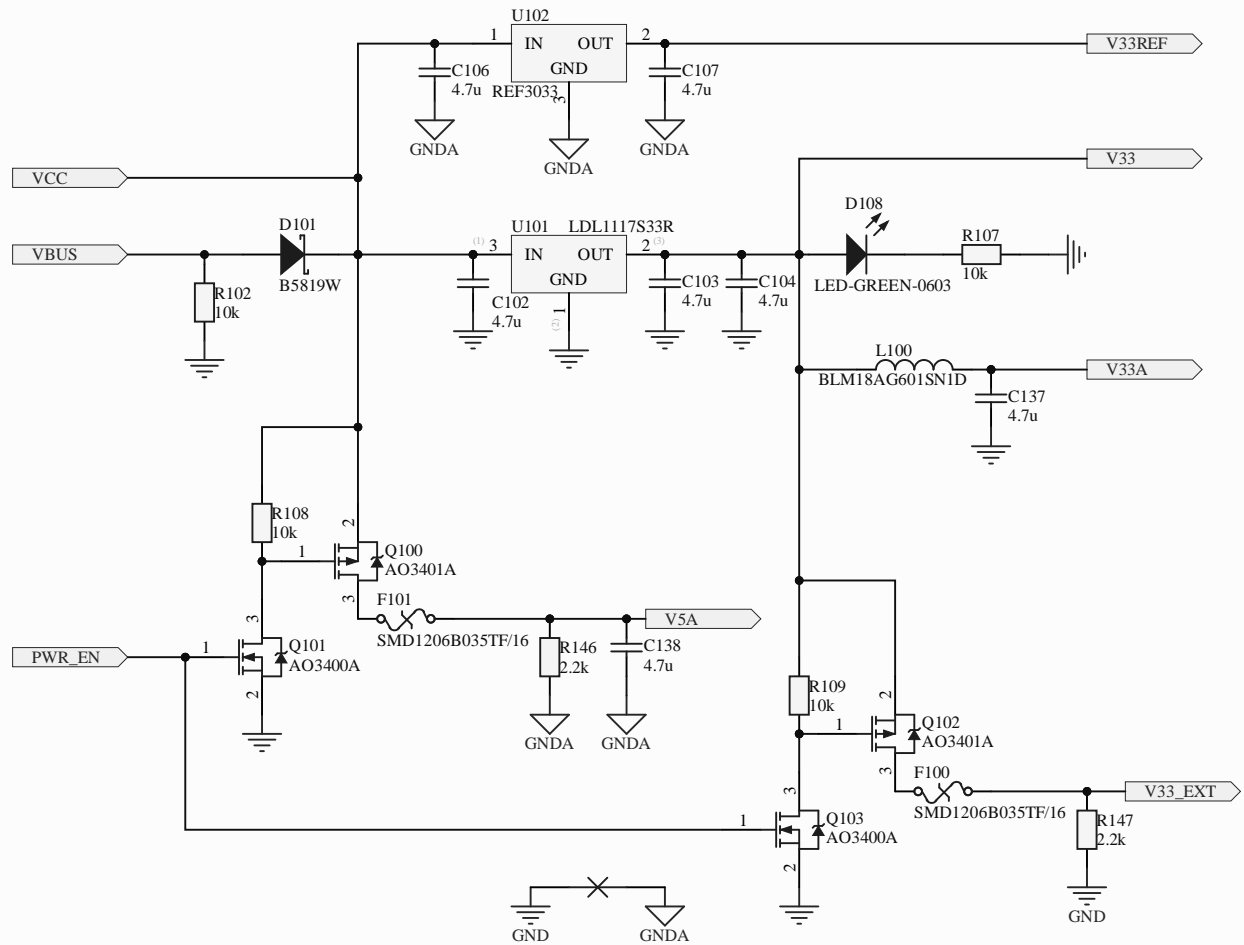






More accurate threshold for "raw" connection of VR sensors





Title		
Size	Number	Revision
A4		
Date:	9.08.2023	Sheet of
File:	C:\Work\...\power.SchDoc	Drawn By:

