

Sheet: /DC2/  
 File: DC\_MOTOR\_0.1.kicad\_sch

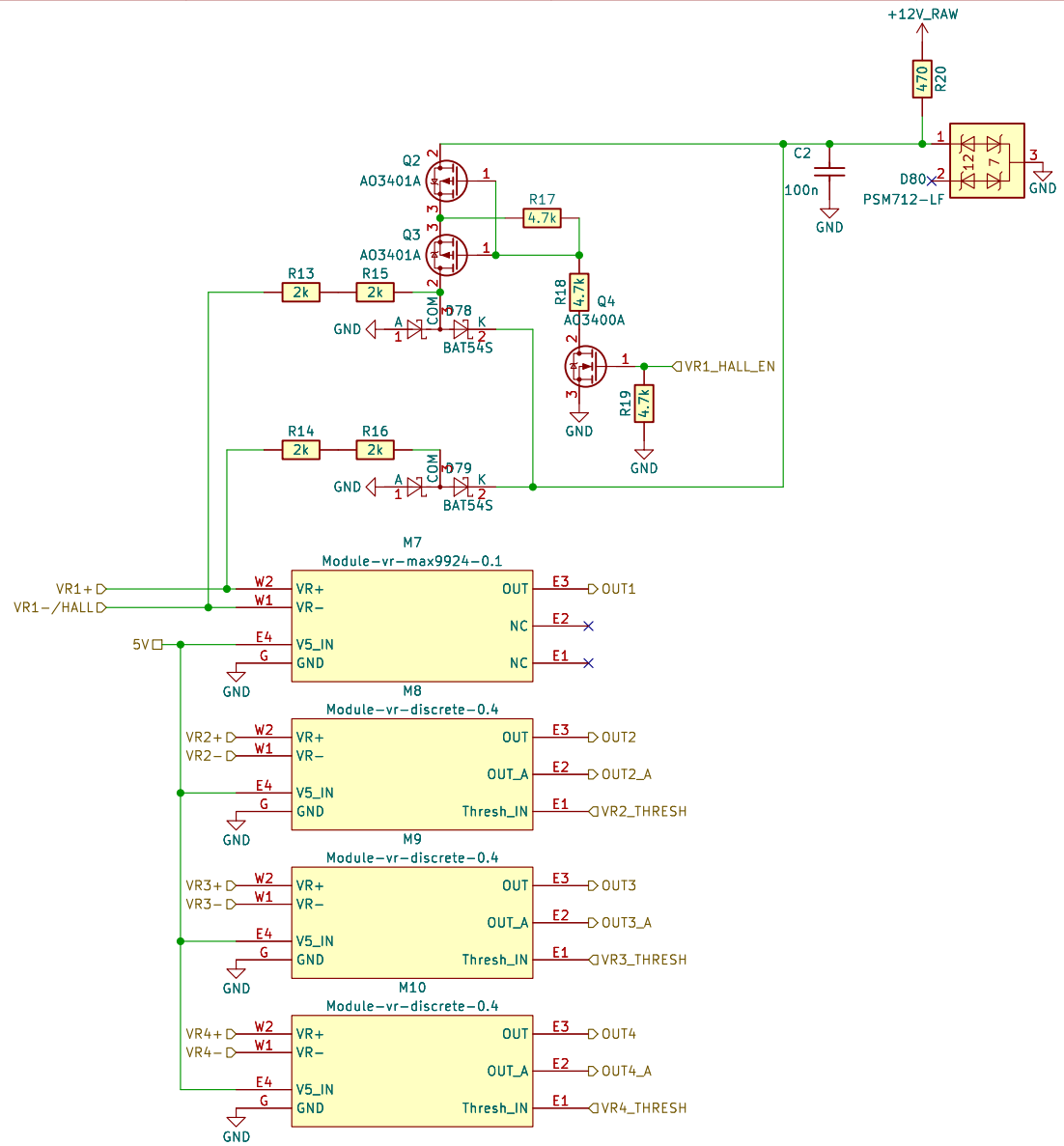
**Title: Hellen-One DC motor driver**

Size: A4 Date: 2023-09-04

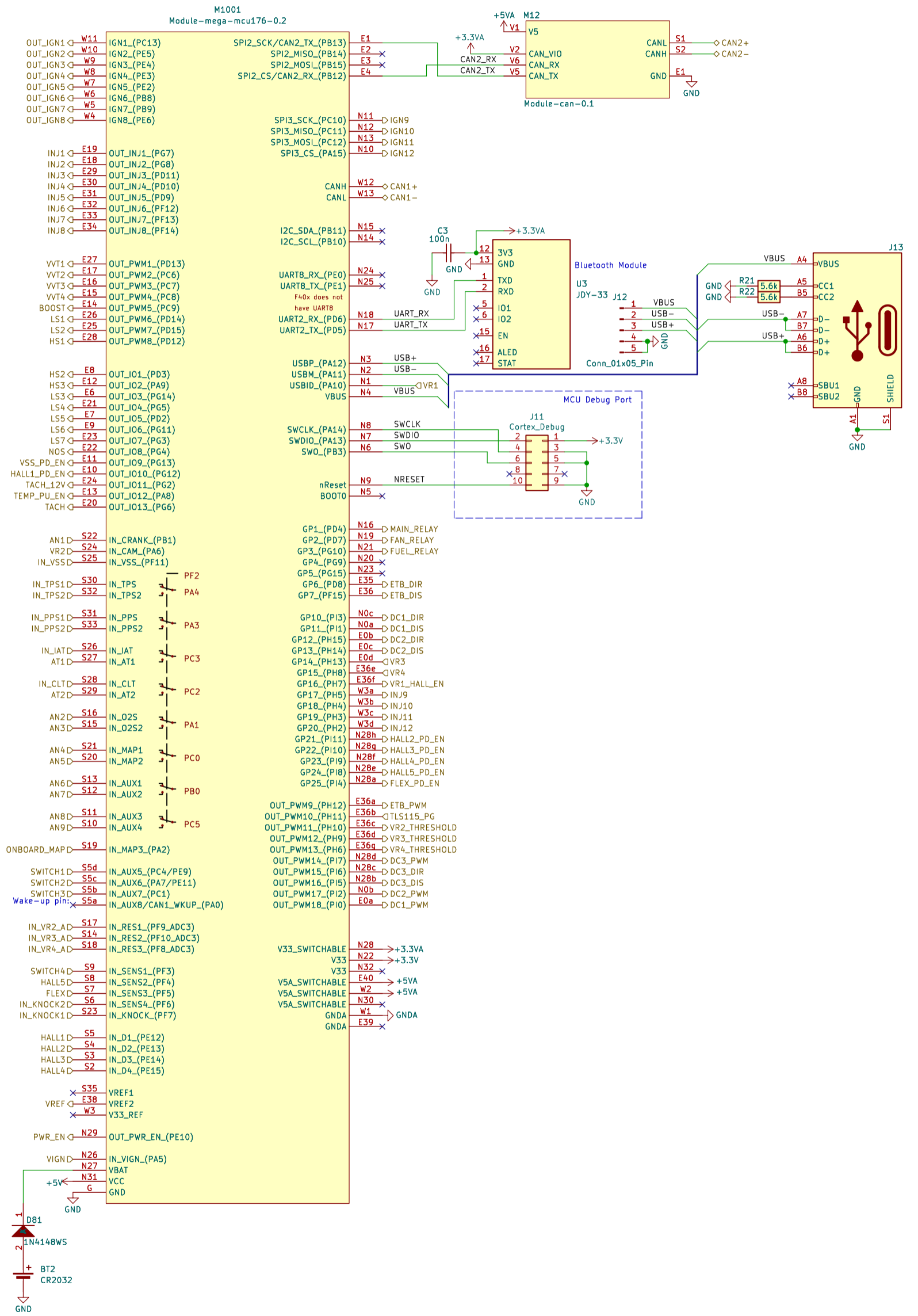
Rev: 0.1

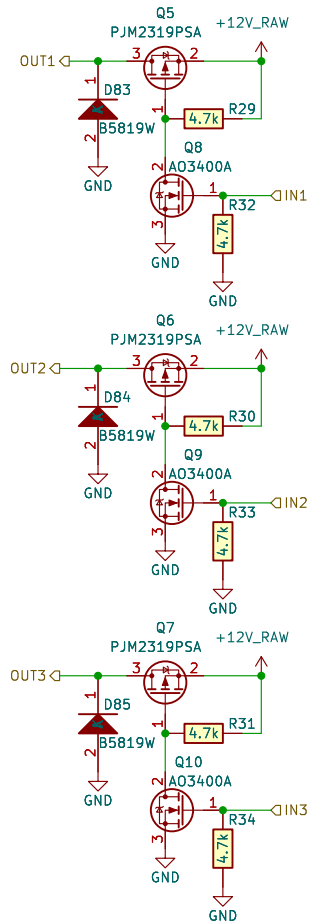
KiCad E.D.A. kicad-cli 7.0.8-7.0.8-ubuntu22.04.1

Id: 1/16

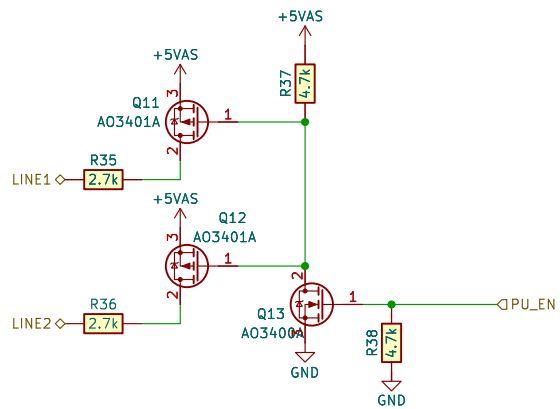


Sheet: /VRx4/		
File: VR4.kicad_sch		
<b>Title:</b>		
Size: A4	Date:	Rev:
KiCad E.D.A. kicad-cli 7.0.8-7.0.8-ubuntu22.04.1		Id: 2/16





Sheet: /HSx3/		
File: HS3.kicad_sch		
<b>Title:</b>		
Size: A4	Date:	Rev:
KiCad E.D.A. kicad-cli 7.0.8-7.0.8-ubuntu22.04.1		Id: 4/16

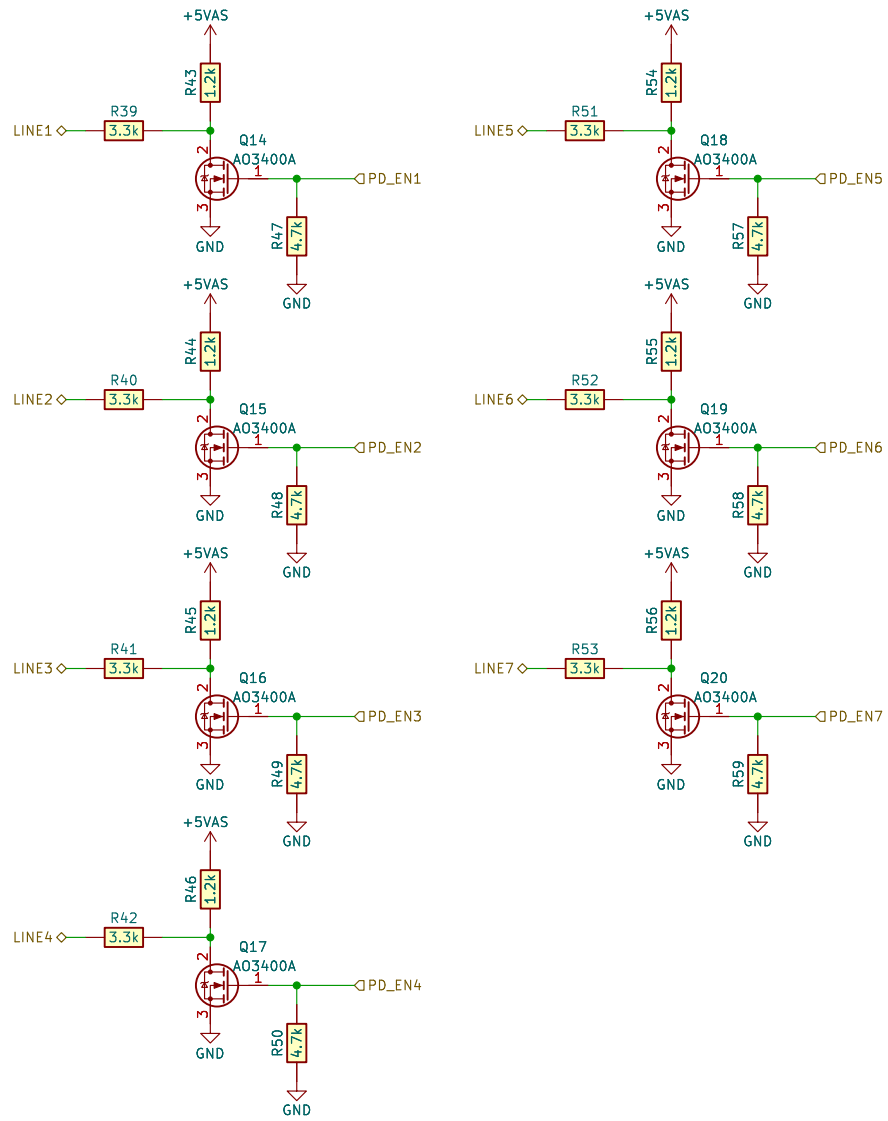


Sheet: /TEMP\_PU/  
 File: DOUBLE\_PU.kicad\_sch

**Title:**

Size: A4 Date:  
 KiCad E.D.A. kicad-cli 7.0.8-7.0.8-ubuntu22.04.1

**Rev:**  
 Id: 5/16



Sheet: /OPT\_PULLDOWNS/  
 File: PD7.kicad\_sch

**Title:**

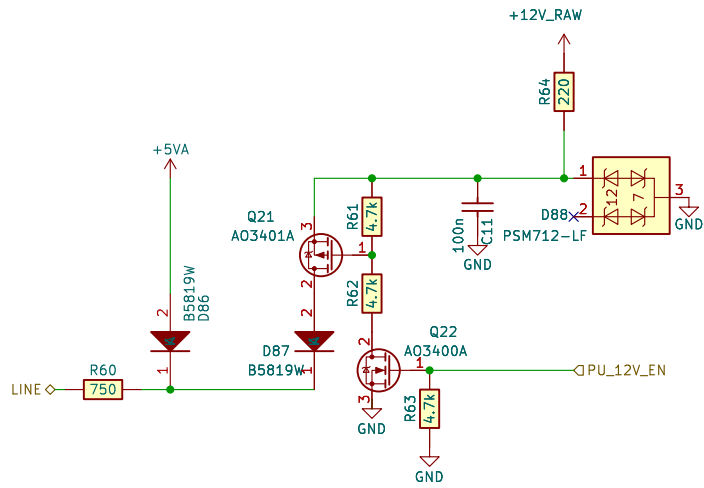
Size: A4

Date:

KiCad E.D.A. kicad-cli 7.0.8-7.0.8-ubuntu22.04.1

**Rev:**

Id: 6/16

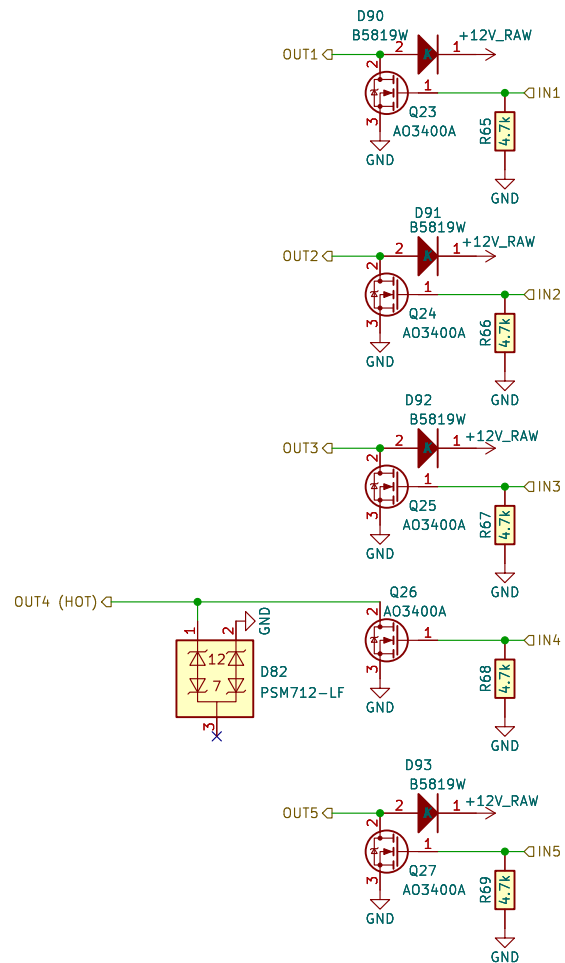


Sheet: /TACH\_PULLUP/  
 File: TACH\_PU.kicad\_sch

**Title:**

Size: A4 Date: KiCad E.D.A. kicad-cli 7.0.8-7.0.8-ubuntu22.04.1

Rev: Id: 7/16



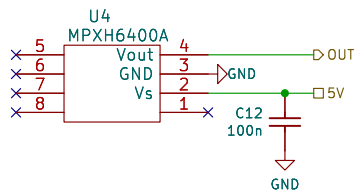
Sheet: /LS\_weak/  
 File: LS\_weak.kicad\_sch

**Title:**

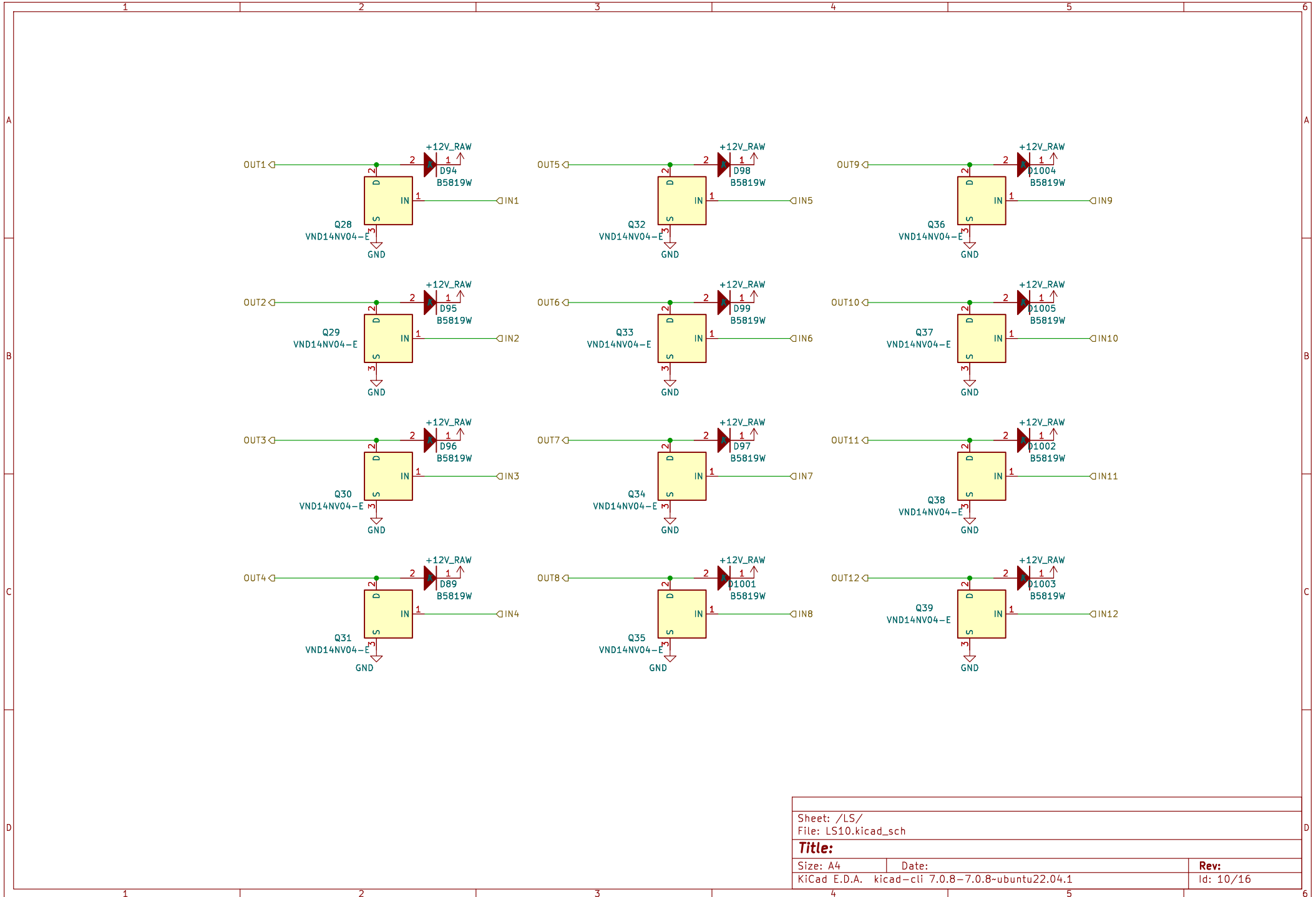
Size: A4      Date:  
 KiCad E.D.A.    kicad-cli 7.0.8-7.0.8-ubuntu22.04.1

**Rev:**  
 Id: 8/16

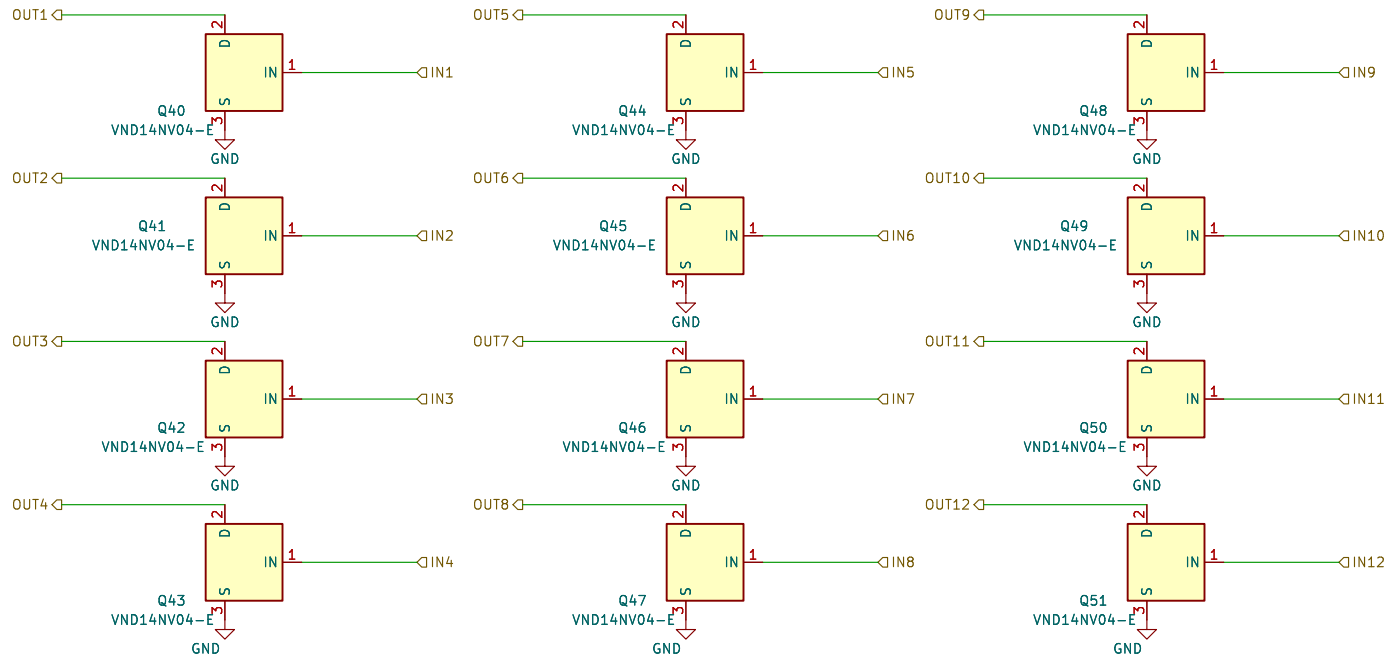




Sheet: /MAP/		
File: MAP.kicad_sch		
<b>Title:</b>		
Size: A4	Date:	<b>Rev:</b>
KiCad E.D.A. kicad-cli 7.0.8-7.0.8-ubuntu22.04.1		Id: 9/16



Sheet: /LS/			
File: LS10.kicad_sch			
<b>Title:</b>			
Size: A4	Date:	Rev:	
KiCad E.D.A. kicad-cli 7.0.8-7.0.8-ubuntu22.04.1		Id: 10/16	

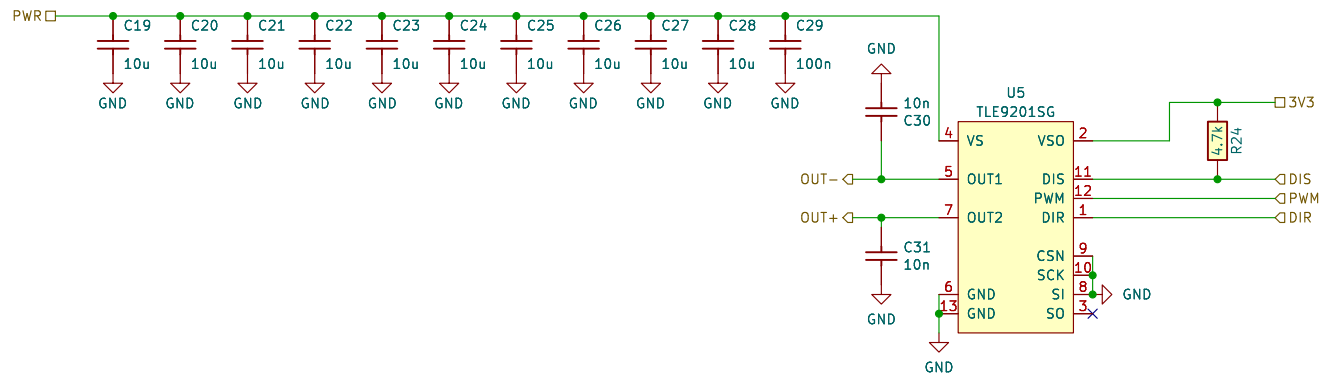


Sheet: /INJ/  
 File: INJ12.kicad\_sch

**Title:**

Size: A4 Date:  
 KiCad E.D.A. kicad-cli 7.0.8-7.0.8-ubuntu22.04.1

**Rev:**  
 Id: 11/16



Sheet: /DC1/  
 File: DC\_MOTOR\_0.1.kicad\_sch

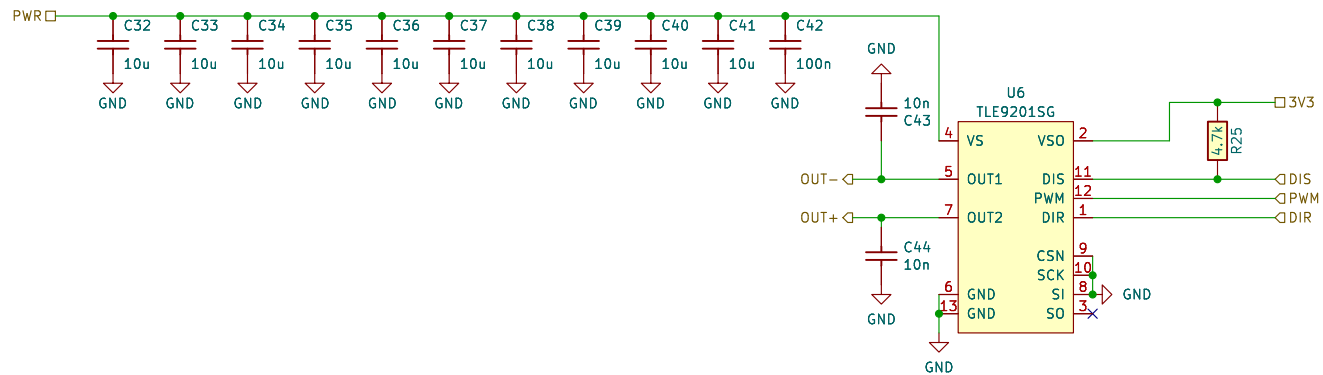
**Title: Hellen-One DC motor driver**

Size: A4 Date: 2023-09-04

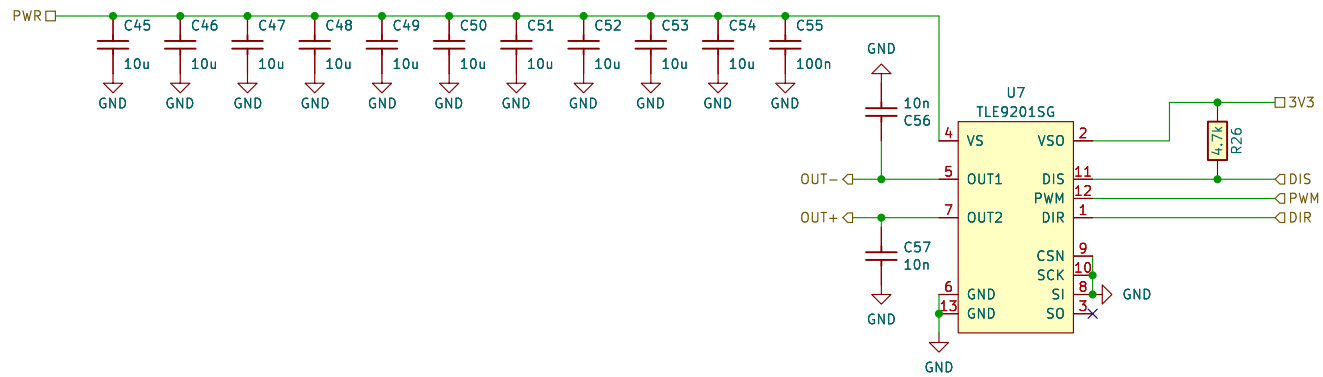
Rev: 0.1

KiCad E.D.A. kicad-cli 7.0.8-7.0.8-ubuntu22.04.1

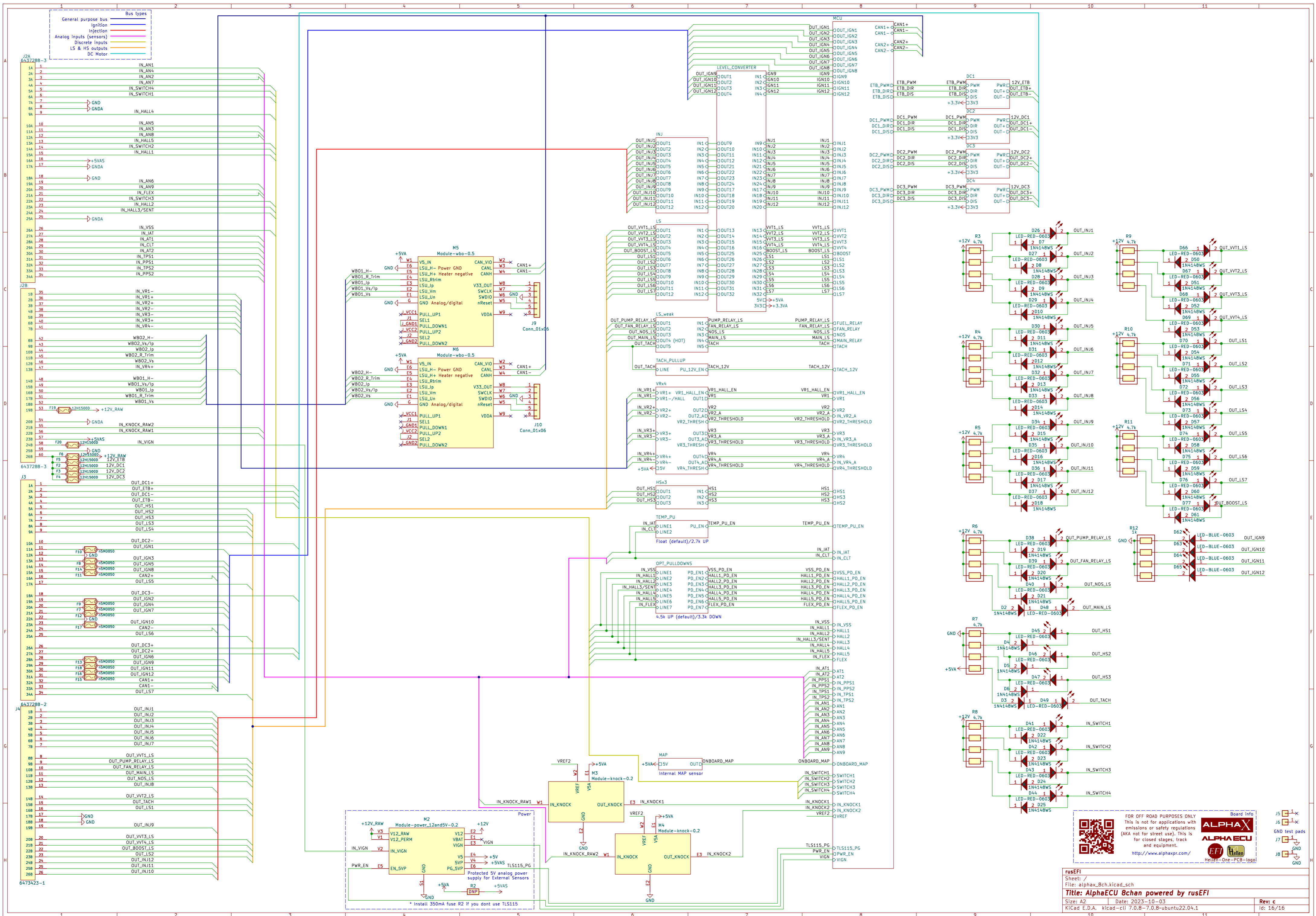
Id: 12/16



Sheet: /DC3/		Date: 2023-09-04	
File: DC_MOTOR_0.1.kicad_sch		Rev: 0.1	
<b>Title: Hellen-One DC motor driver</b>		KiCad E.D.A. kicad-cli 7.0.8-7.0.8-ubuntu22.04.1	
Size: A4		Id: 13/16	

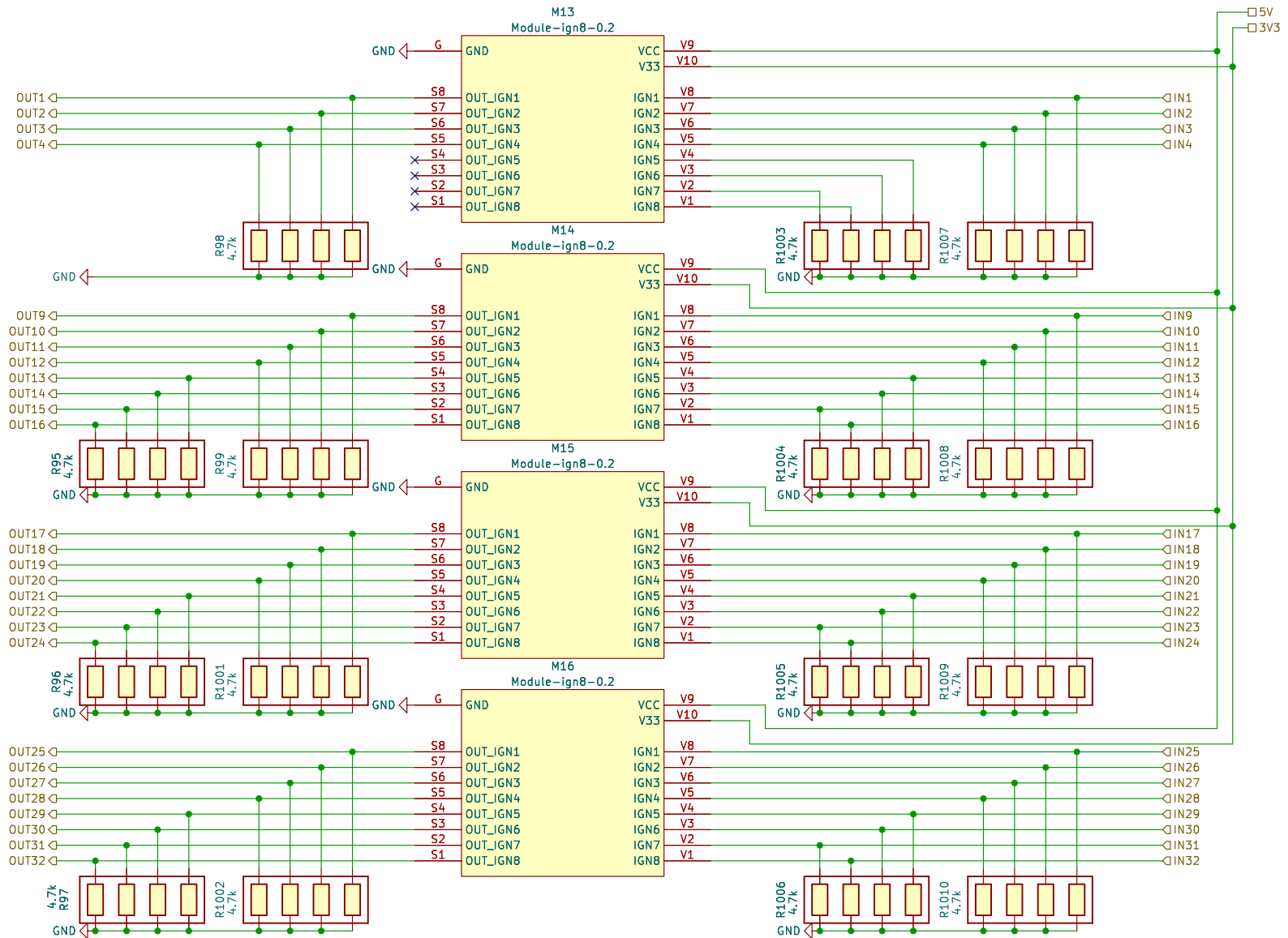


Sheet: /DC4/		Date: 2023-09-04	
File: DC_MOTOR_0.1.kicad_sch		Rev: 0.1	
<b>Title: Hellen-One DC motor driver</b>		KiCad E.D.A. kicad-cli 7.0.8-7.0.8-ubuntu22.04.1	
Size: A4	Id: 14/16		



FOR OFF ROAD PURPOSES ONLY  
 This is not for applications with emissions or safety regulations (AKA not for street use). This is for closed stages, track and equipment.  
<http://www.alphaecur.com/>

Board info  
**ALPHAECU**  
 ECU  
 Helen-One-PCB-1000



Sheet: /LEVEL\_CONVERTER/  
 File: LEVEL\_CONVERTER.kicad\_sch

**Title:**

Size: A4  
 KiCad E.D.A. kicad-cli 7.0.8-7.0.8-ubuntu22.04.1

Date:

Rev:

Id: 16/16