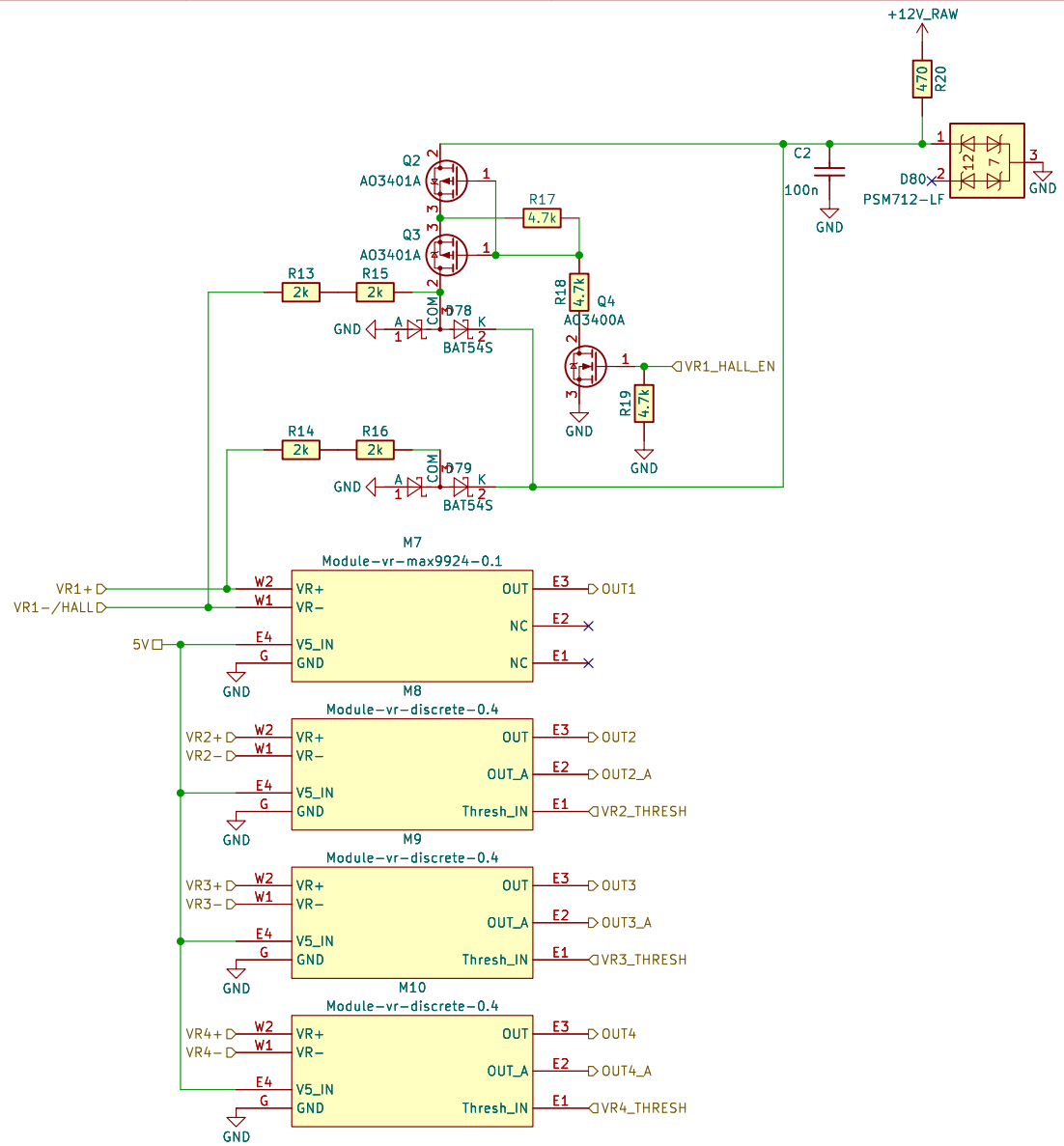
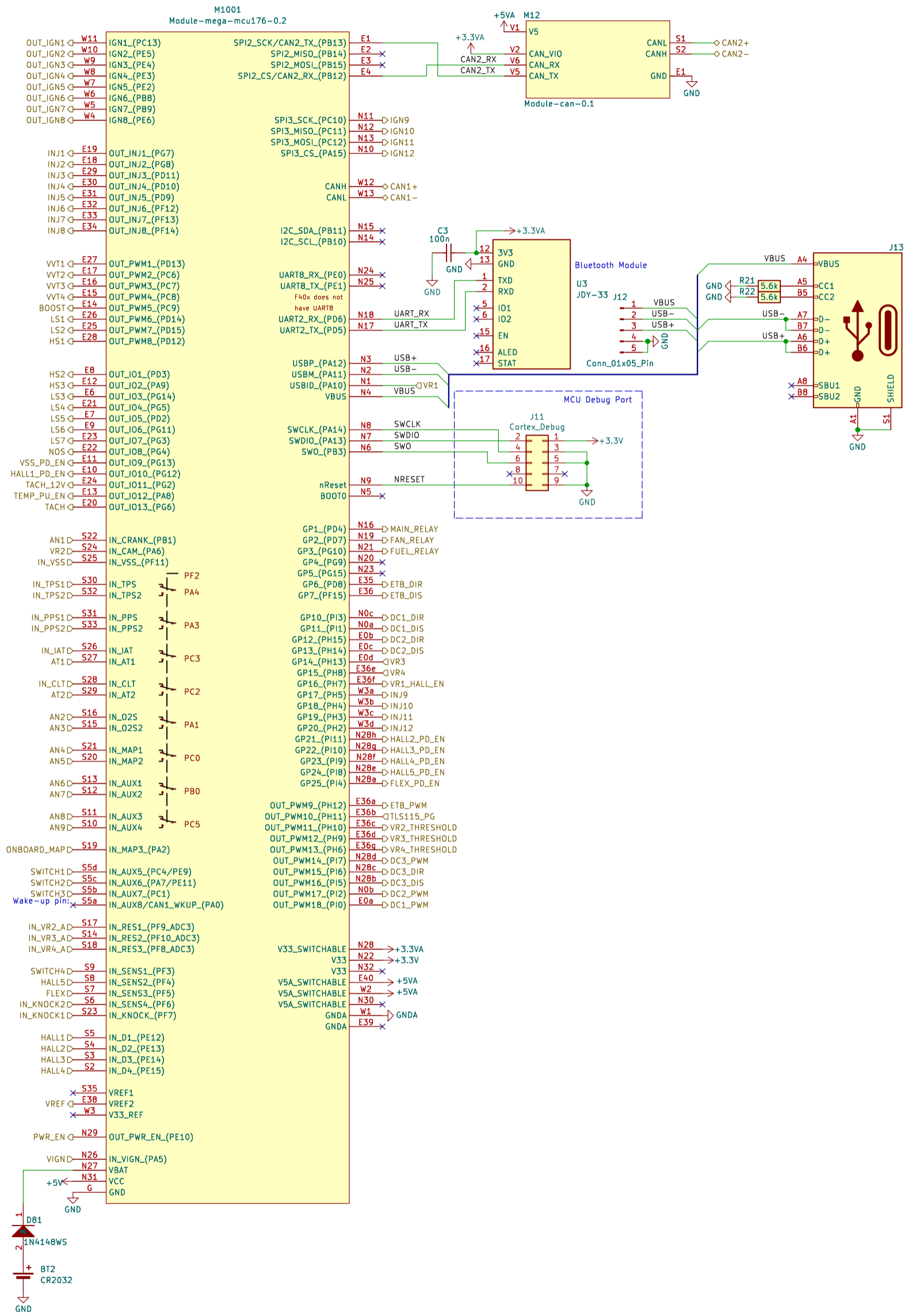
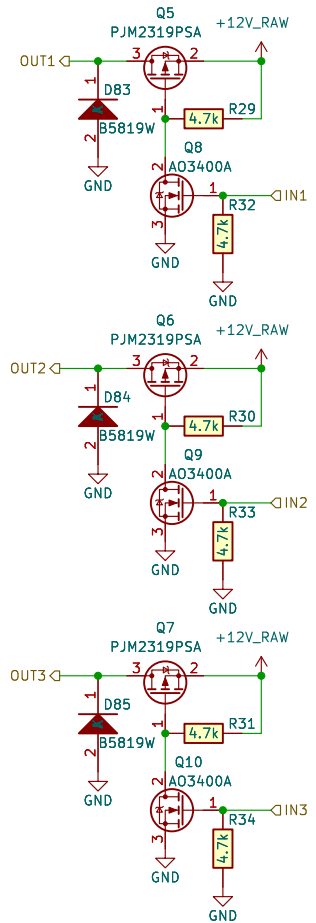


Sheet: /DC2/		Date: 2023-09-04	
File: DC_MOTOR_0.1.kicad_sch		Rev: 0.1	
Title: Hellen-One DC motor driver		KiCad E.D.A. kicad-cli 7.0.8-7.0.8-ubuntu22.04.1	
Size: A4	Date: 2023-09-04	Rev: 0.1	Id: 1/16

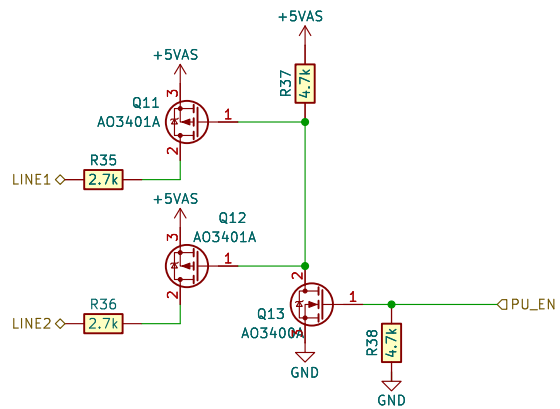


Sheet: /VRx4/		
File: VR4.kicad_sch		
Title:		
Size: A4	Date:	Rev:
KiCad E.D.A. kicad-cli 7.0.8-7.0.8-ubuntu22.04.1		Id: 2/16





Sheet: /HSx3/		
File: HS3.kicad_sch		
Title:		
Size: A4	Date:	Rev:
KiCad E.D.A. kicad-cli 7.0.8-7.0.8-ubuntu22.04.1		Id: 4/16

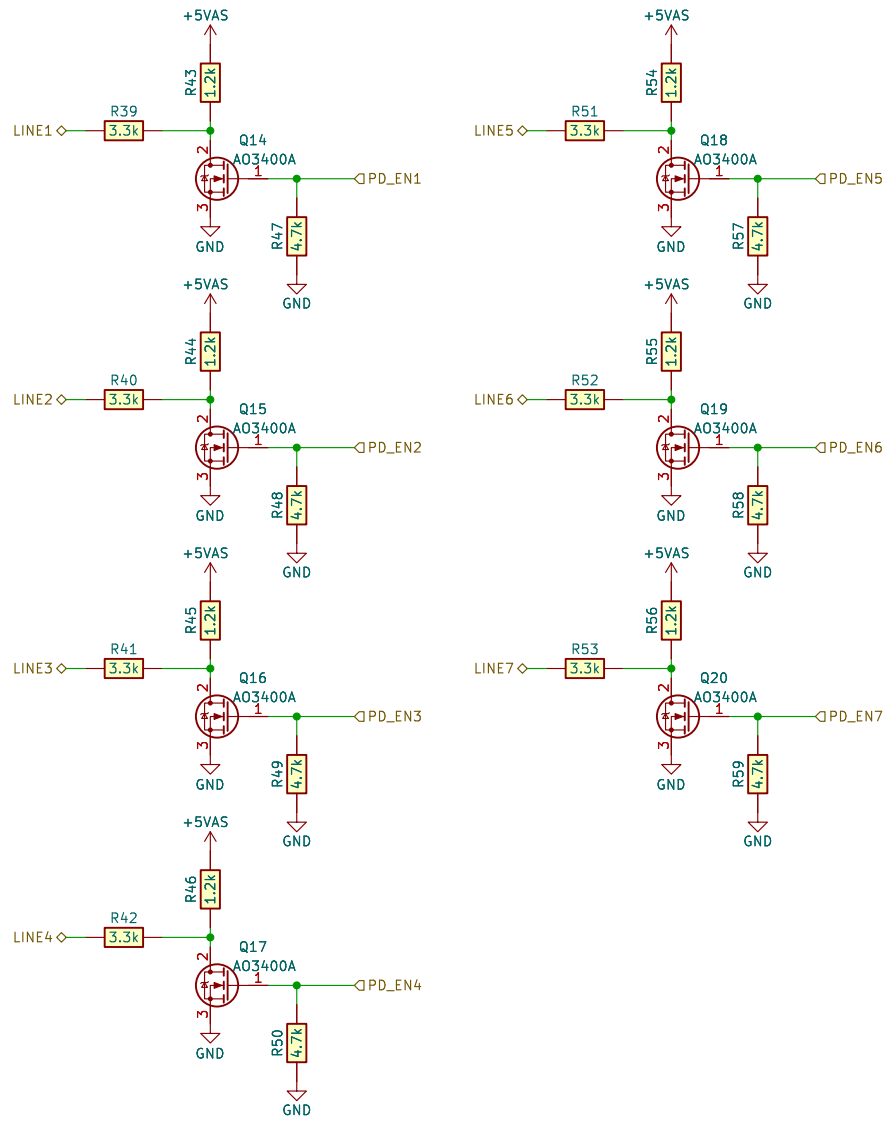


Sheet: /TEMP_PU/
 File: DOUBLE_PU.kicad_sch

Title:

Size: A4 Date:
 KiCad E.D.A. kicad-cli 7.0.8-7.0.8-ubuntu22.04.1

Rev:
 Id: 5/16

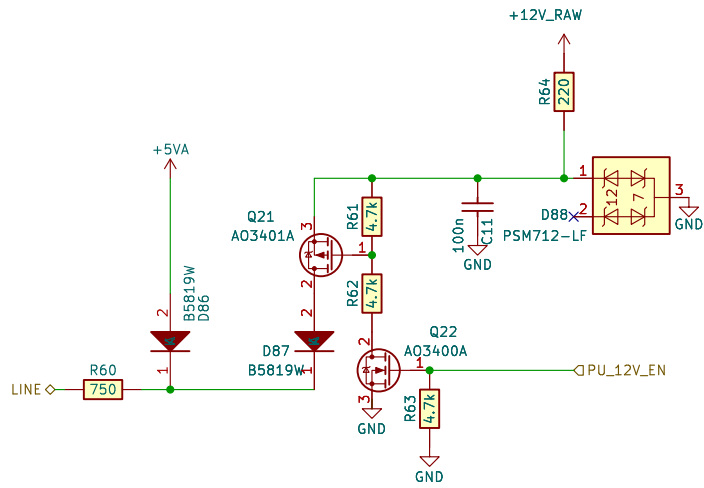


Sheet: /OPT_PULLDOWNS/
 File: PD7.kicad_sch

Title:

Size: A4 Date:
 KiCad E.D.A. kicad-cli 7.0.8-7.0.8-ubuntu22.04.1

Rev:
 Id: 6/16

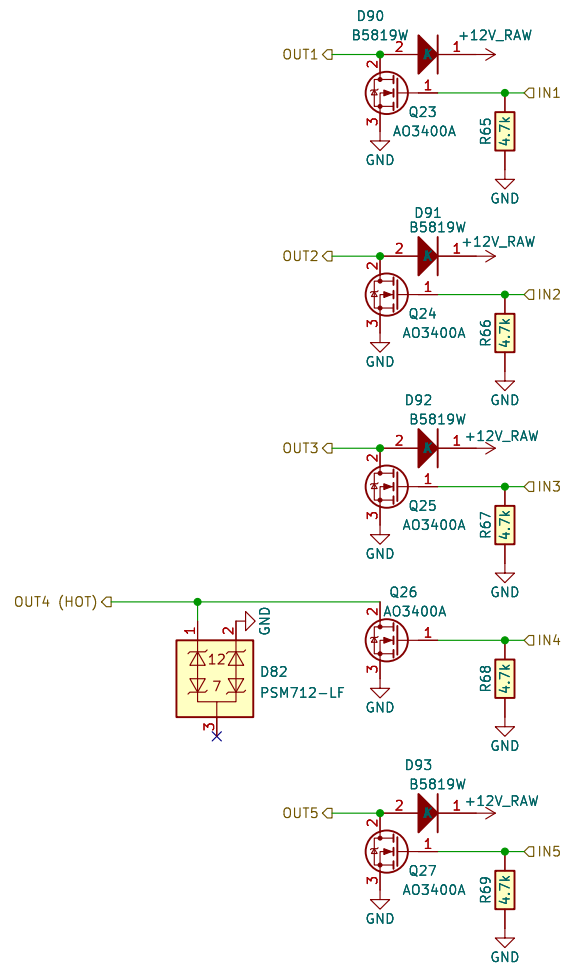


Sheet: /TACH_PULLUP/
 File: TACH_PU.kicad_sch

Title:

Size: A4 Date:
 KiCad E.D.A. kicad-cli 7.0.8-7.0.8-ubuntu22.04.1

Rev:
 Id: 7/16

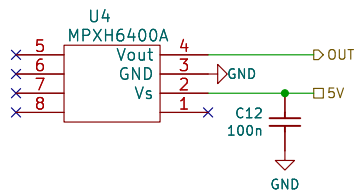


Sheet: /LS_weak/
 File: LS_weak.kicad_sch

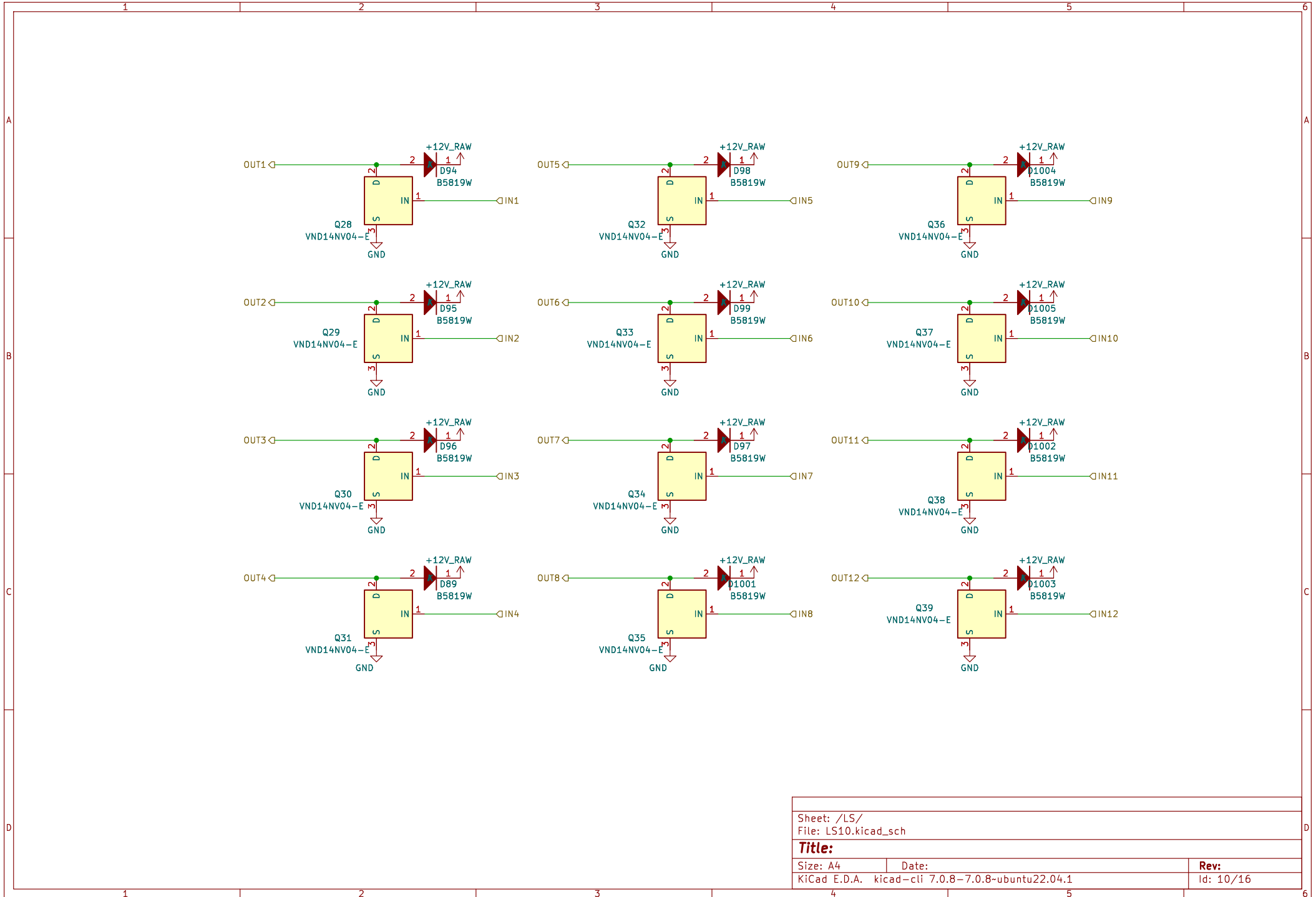
Title:

Size: A4 Date:
 KiCad E.D.A. kicad-cli 7.0.8-7.0.8-ubuntu22.04.1

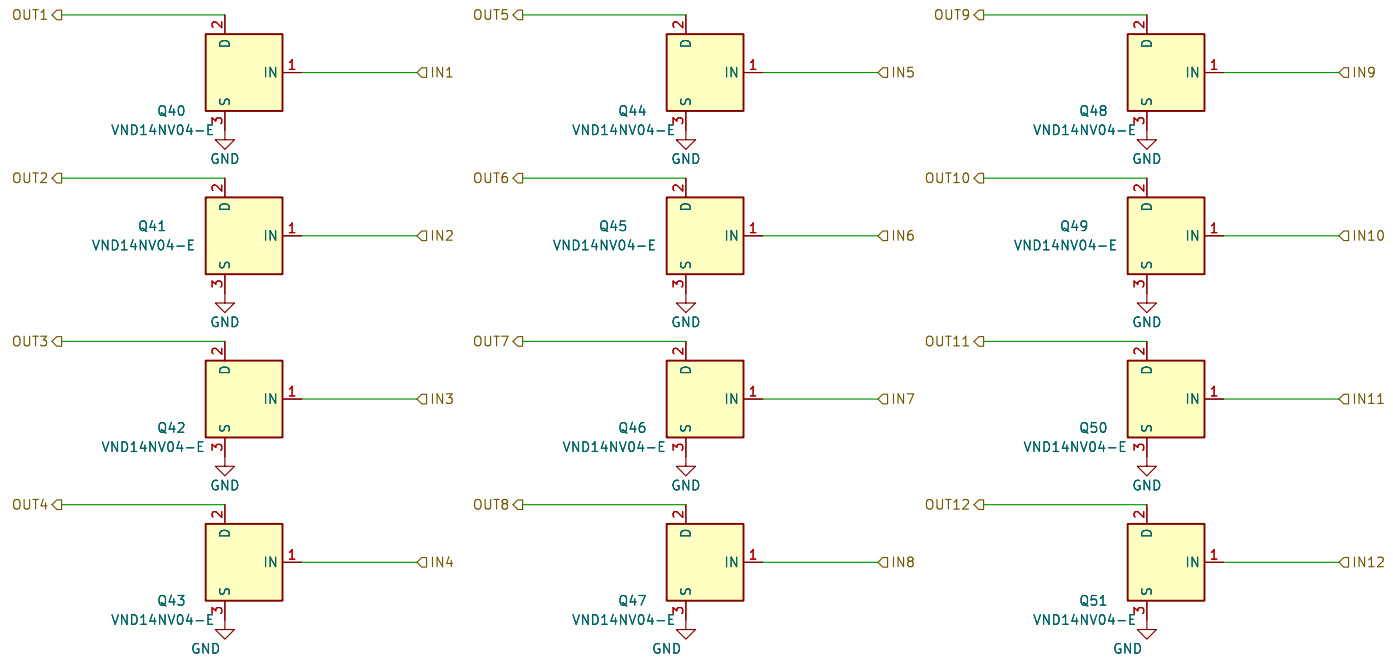
Rev:
 Id: 8/16



Sheet: /MAP/		
File: MAP.kicad_sch		
Title:		
Size: A4	Date:	Rev:
KiCad E.D.A. kicad-cli 7.0.8-7.0.8-ubuntu22.04.1		Id: 9/16



Sheet: /LS/		Date:	
File: LS10.kicad_sch		Rev:	
Title:			
Size: A4	KiCad E.D.A. kicad-cli 7.0.8-7.0.8-ubuntu22.04.1		Id: 10/16

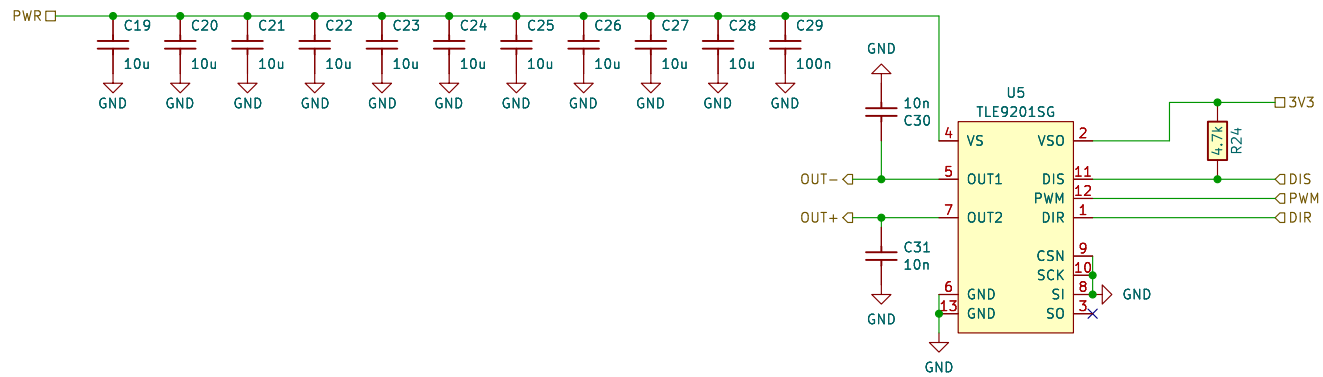


Sheet: /INJ/
 File: INJ12.kicad_sch

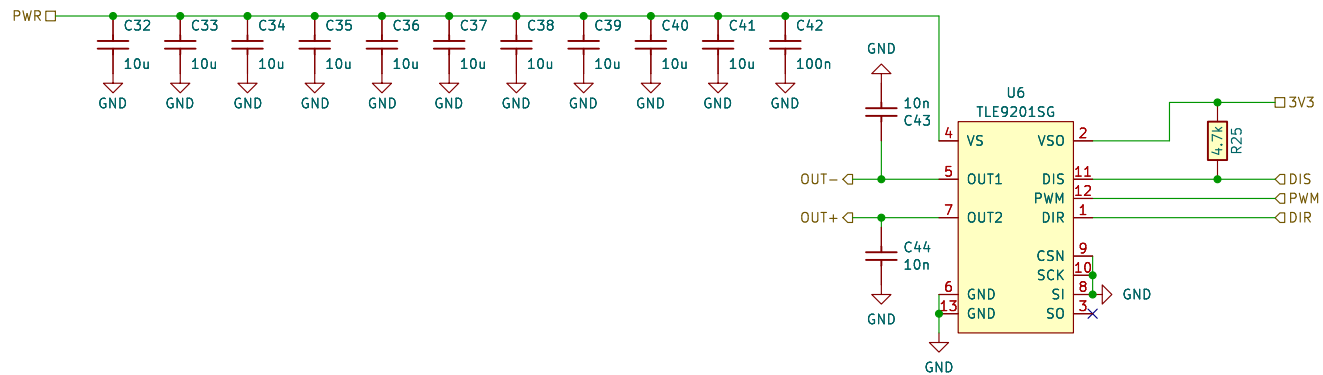
Title:

Size: A4 Date:
 KiCad E.D.A. kicad-cli 7.0.8-7.0.8-ubuntu22.04.1

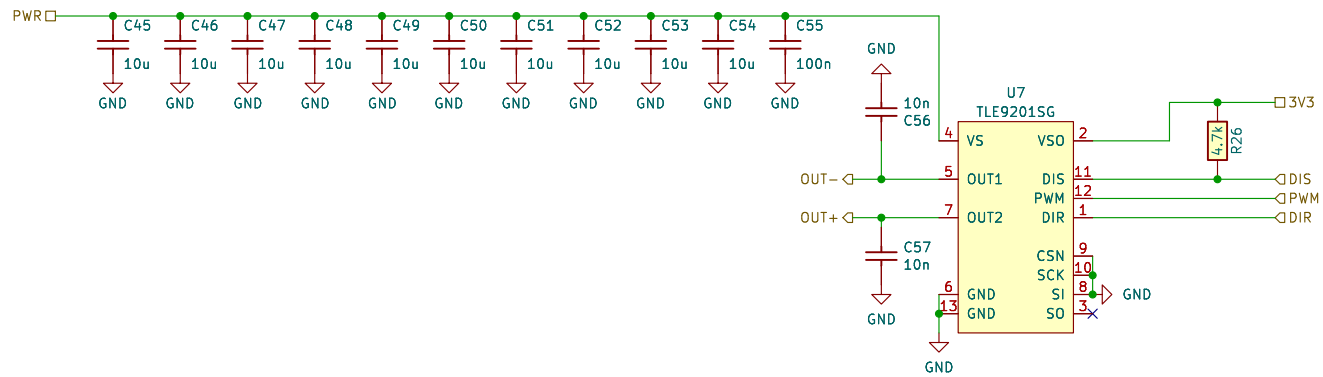
Rev:
 Id: 11/16



Sheet: /DC1/		
File: DC_MOTOR_0.1.kicad_sch		
Title: Hellen-One DC motor driver		
Size: A4	Date: 2023-09-04	Rev: 0.1
KiCad E.D.A. kicad-cli 7.0.8-7.0.8-ubuntu22.04.1		Id: 12/16



Sheet: /DC3/		Date: 2023-09-04	
File: DC_MOTOR_0.1.kicad_sch		Rev: 0.1	
Title: Hellen-One DC motor driver		KiCad E.D.A. kicad-cli 7.0.8-7.0.8-ubuntu22.04.1	
Size: A4	Date: 2023-09-04	Id: 13/16	



Sheet: /DC4/

File: DC_MOTOR_0.1.kicad_sch

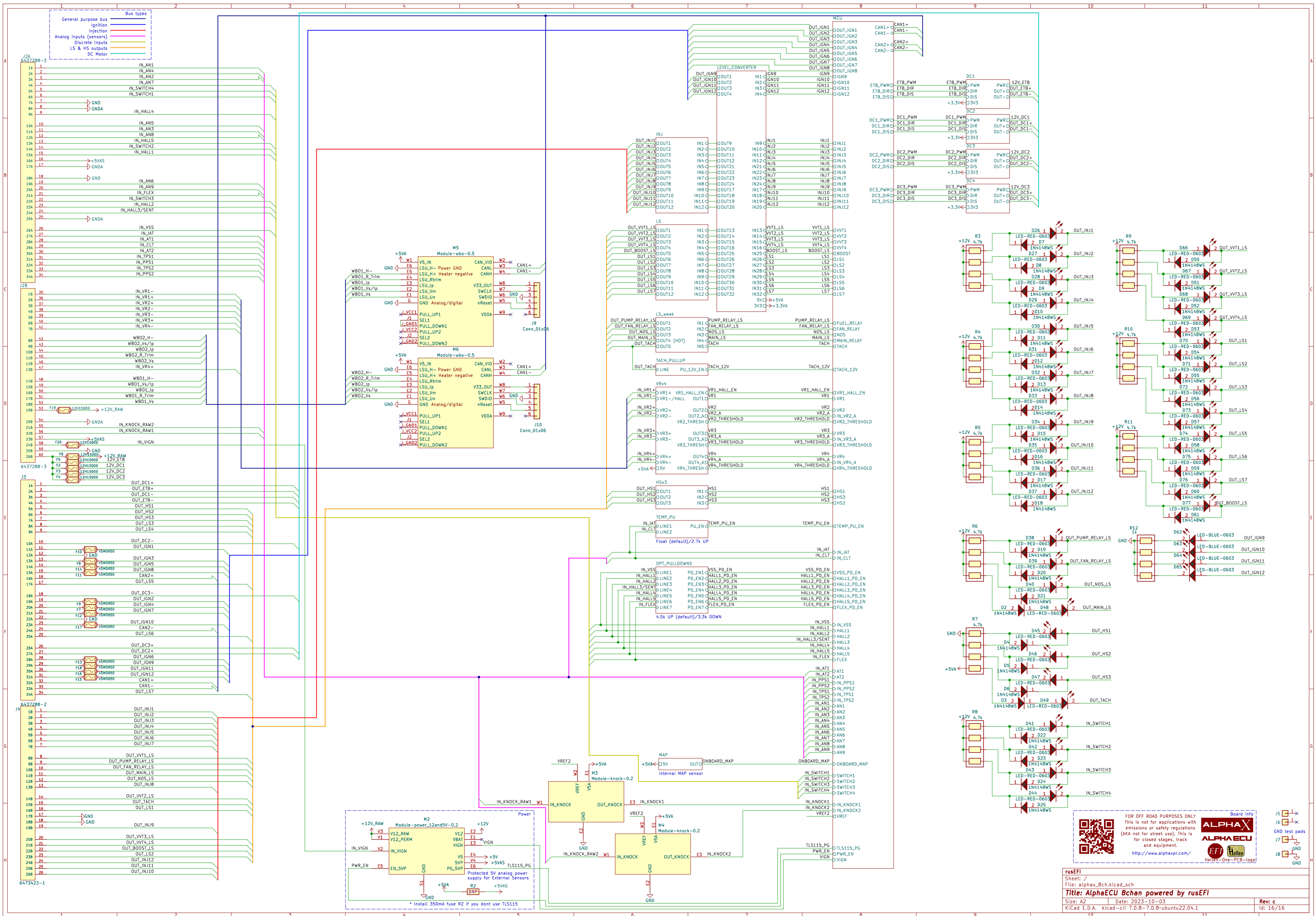
Title: Hellen-One DC motor driver

Size: A4 Date: 2023-09-04

Rev: 0.1

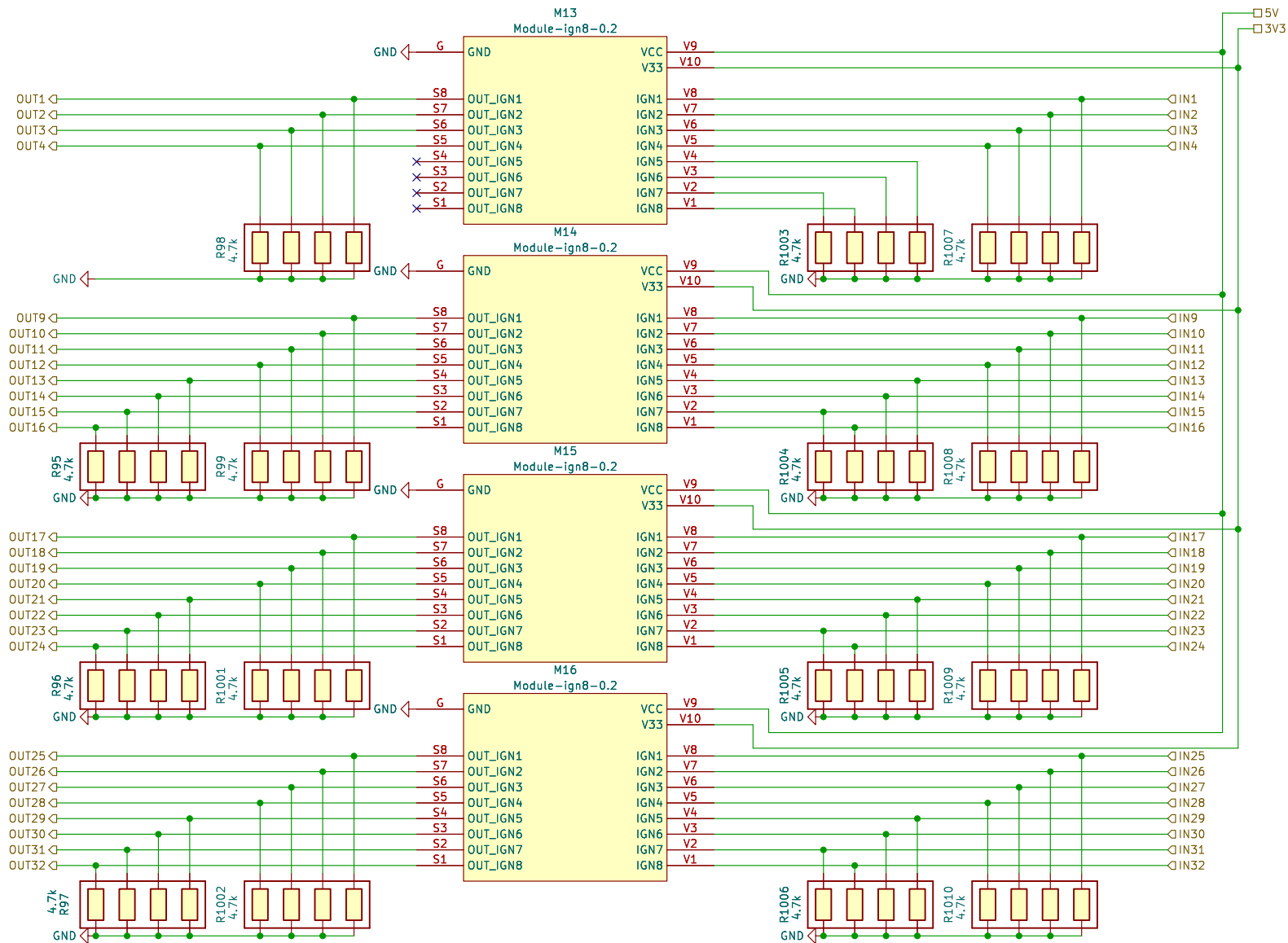
KiCad E.D.A. kicad-cli 7.0.8-7.0.8-ubuntu22.04.1

Id: 14/16



FOR OFF ROAD PURPOSES ONLY
 This is not for applications with emissions or safety regulations (AKA not for street use). This is for closed stages, track and equipment.
<http://www.alphaecur.com/>

Board info
ALPHAECU
 ECU
 Helen-One-PCB-1000



Sheet: /LEVEL_CONVERTER/
 File: LEVEL_CONVERTER.kicad_sch

Title:

Size: A4
 KiCad E.D.A. kicad-cli 7.0.8-7.0.8-ubuntu22.04.1

Date:

Rev:

Id: 16/16