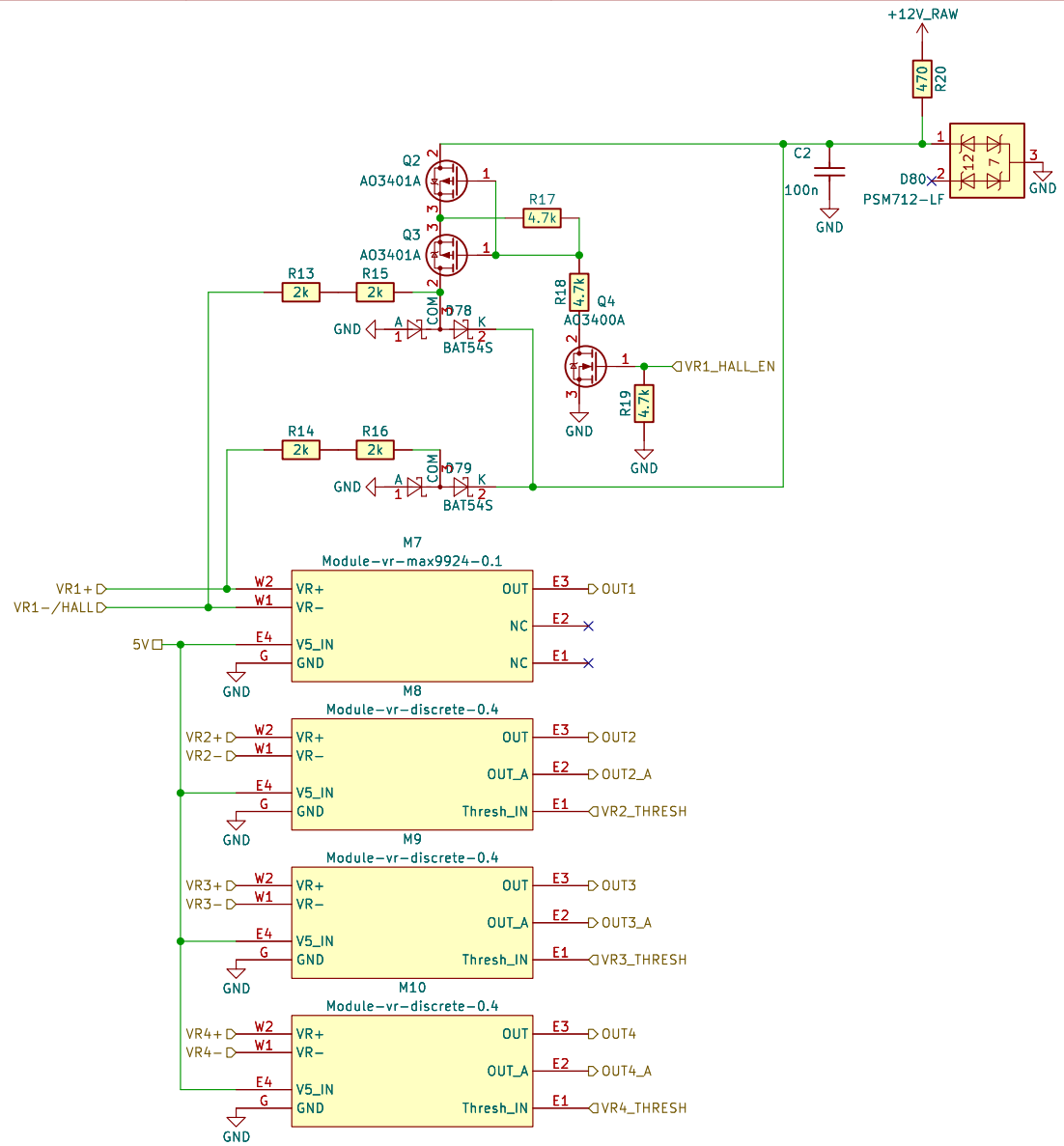
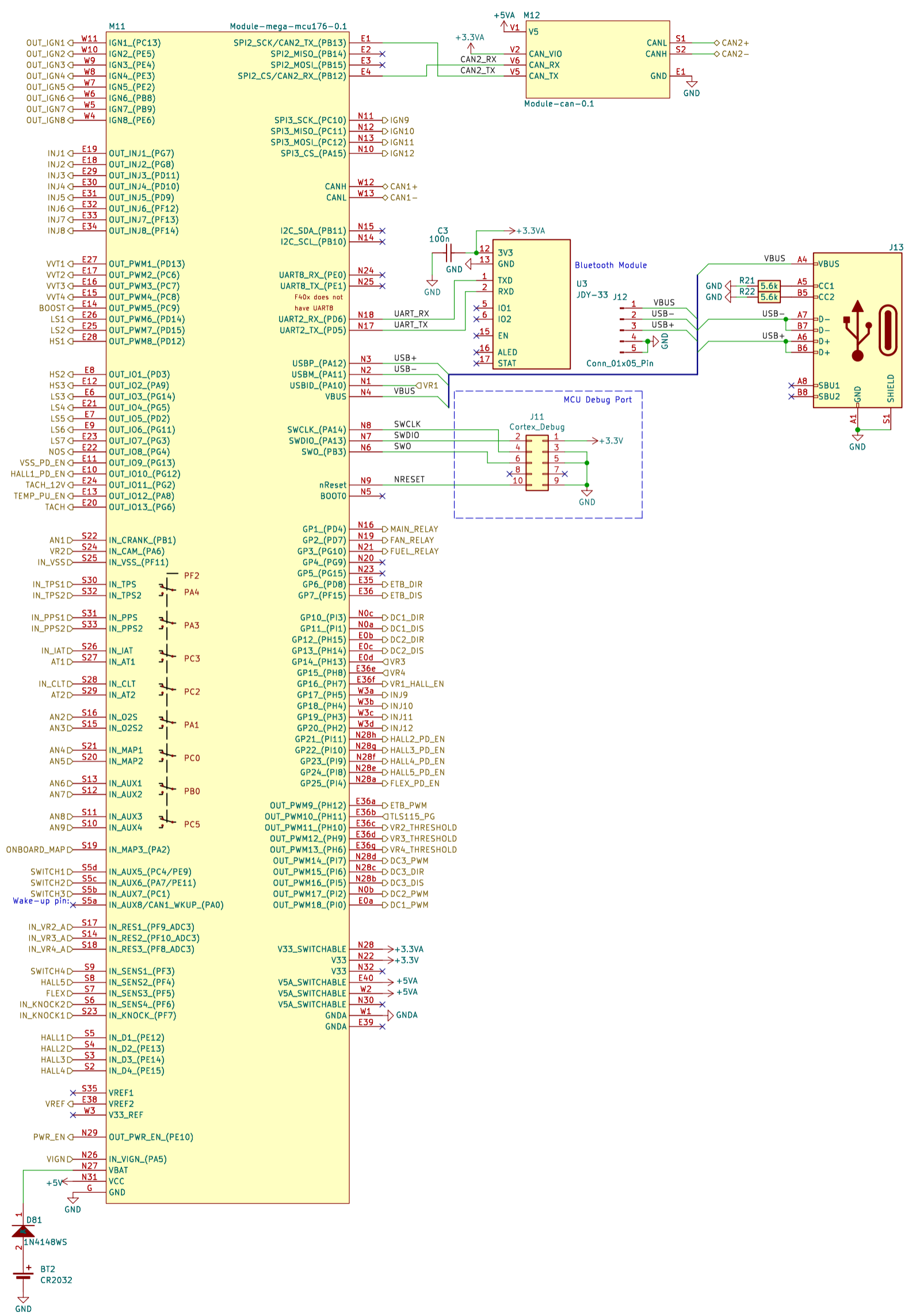
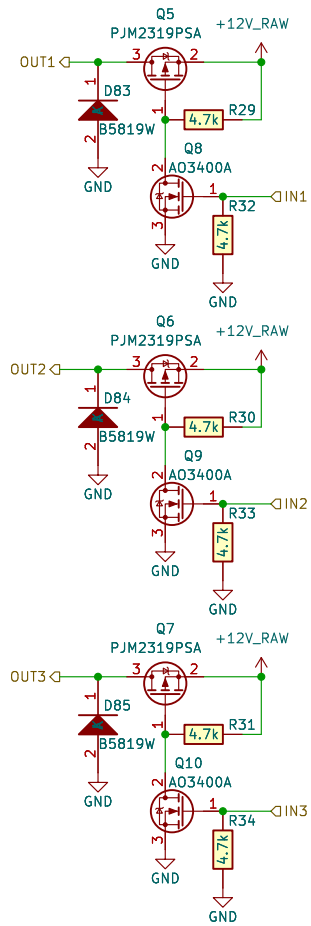


| | | |
|--|------------------|----------|
| Sheet: /DC2/ | | |
| File: DC_MOTOR_0.1.kicad_sch | | |
| Title: Hellen-One DC motor driver | | |
| Size: A4 | Date: 2023-09-04 | Rev: 0.1 |
| KiCad E.D.A. kicad-cli 7.0.7-7.0.7-ubuntu22.04.1 | | Id: 1/16 |



| | | |
|---------------------|-------------------------------------|----------|
| Sheet: /VRx4/ | | |
| File: VR4.kicad_sch | | |
| Title: | | |
| Size: A4 | Date: | Rev: |
| KiCad E.D.A. | kicad-cli 7.0.7-7.0.7-ubuntu22.04.1 | Id: 2/16 |



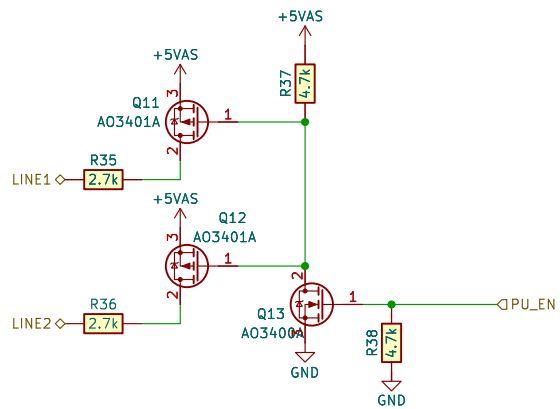


Sheet: /HSx3/
 File: HS3.kicad_sch

Title:

Size: A4 Date:
 KiCad E.D.A. kicad-cli 7.0.7-7.0.7-ubuntu22.04.1

Rev:
 Id: 4/16

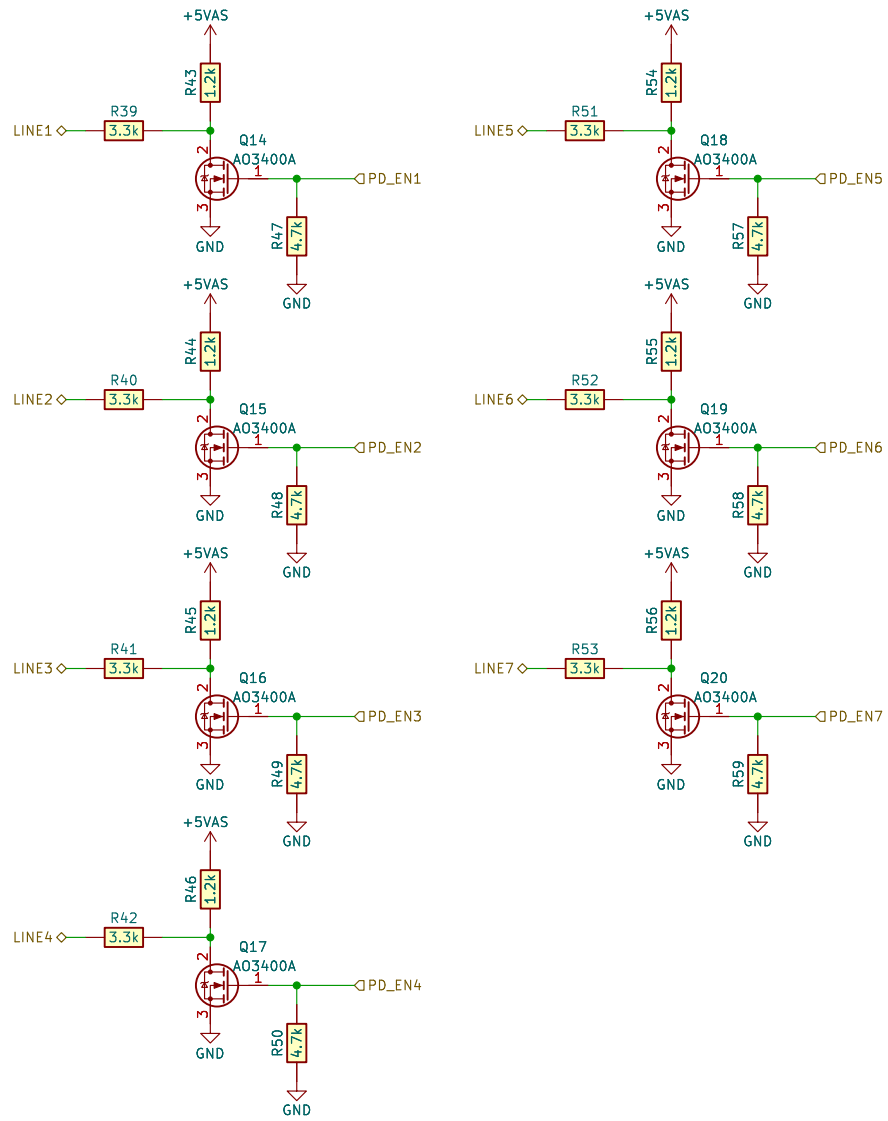


Sheet: /TEMP_PU/
 File: DOUBLE_PU.kicad_sch

Title:

Size: A4 Date:
 KiCad E.D.A. kicad-cli 7.0.7-7.0.7-ubuntu22.04.1

Rev:
 Id: 5/16



Sheet: /OPT_PULLDOWNS/
 File: PD7.kicad_sch

Title:

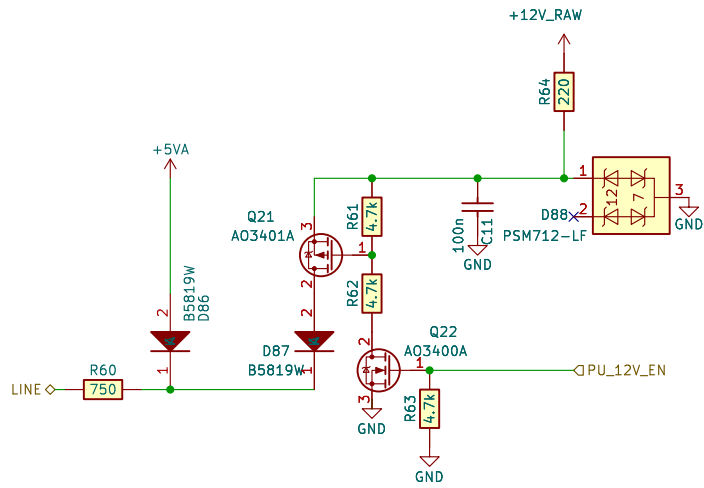
Size: A4

Date:

KiCad E.D.A. kicad-cli 7.0.7-7.0.7-ubuntu22.04.1

Rev:

Id: 6/16

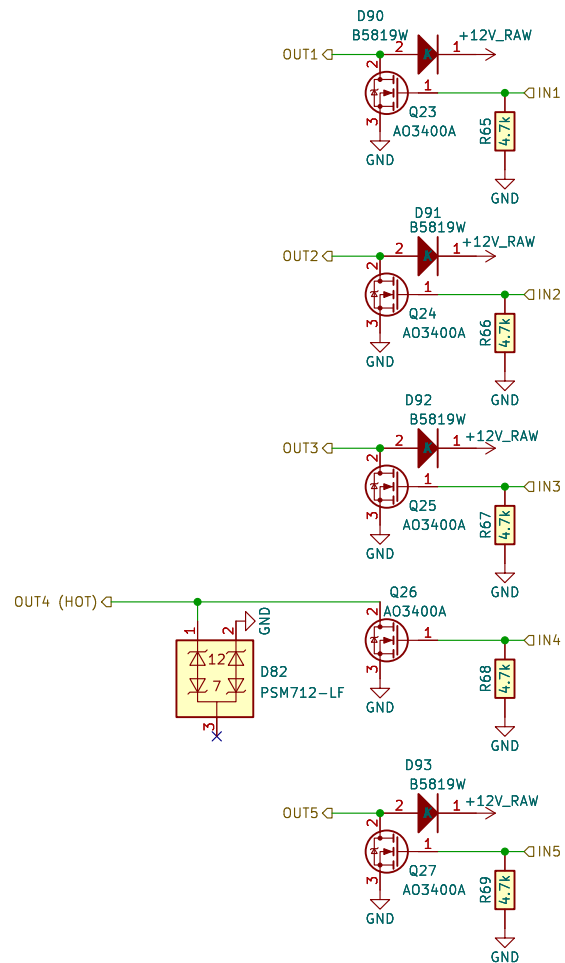


Sheet: /TACH_PULLUP/
 File: TACH_PU.kicad_sch

Title:

Size: A4 Date: KiCad E.D.A. kicad-cli 7.0.7-7.0.7-ubuntu22.04.1

Rev: Id: 7/16

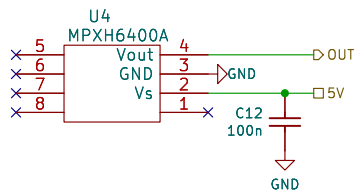


Sheet: /LS_weak/
 File: LS_weak.kicad_sch

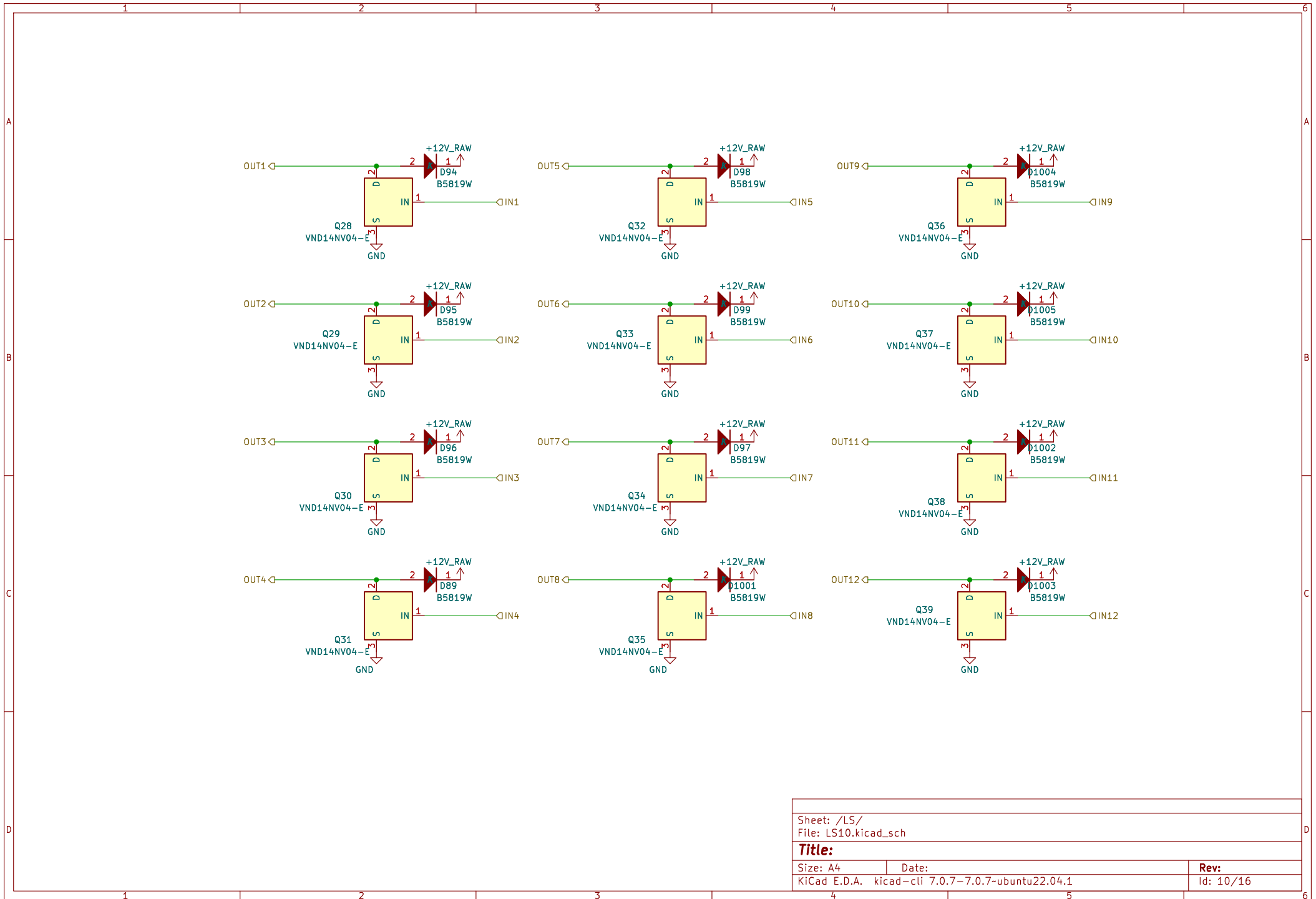
Title:

Size: A4 Date:
 KiCad E.D.A. kicad-cli 7.0.7-7.0.7-ubuntu22.04.1

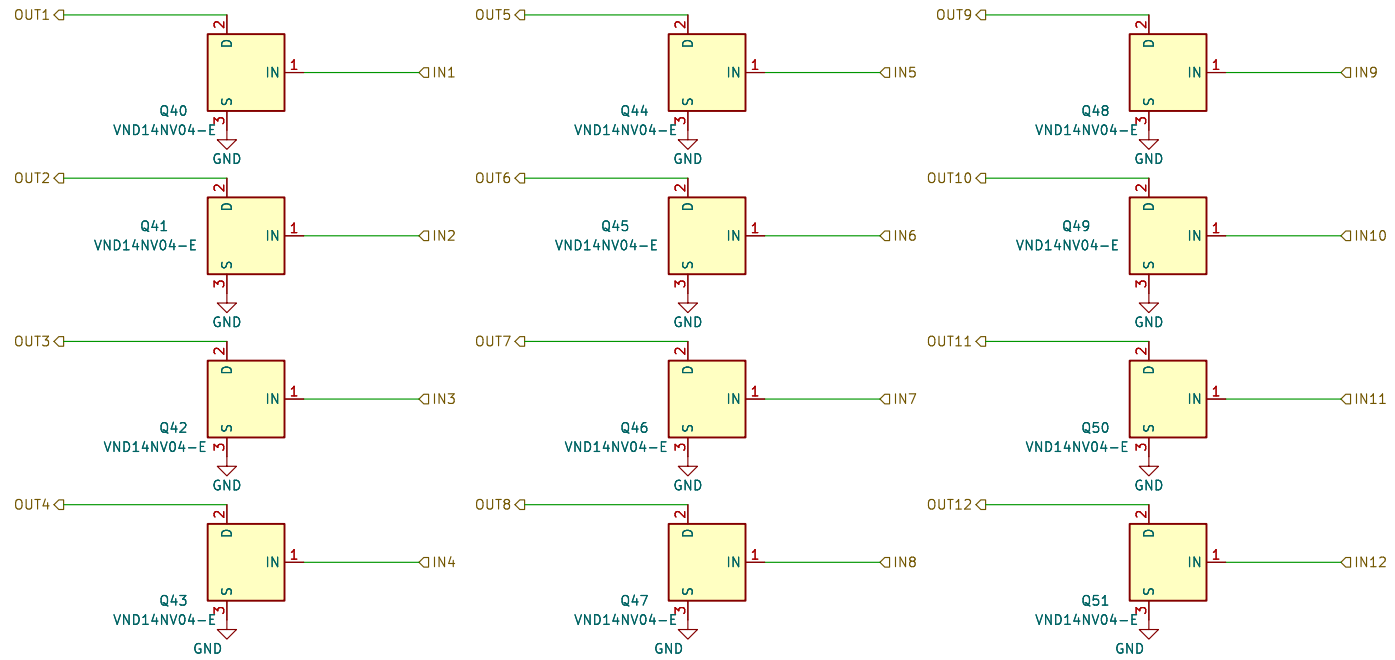
Rev:
 Id: 8/16



| | | |
|--|-------|-------------|
| Sheet: /MAP/ | | |
| File: MAP.kicad_sch | | |
| Title: | | |
| Size: A4 | Date: | Rev: |
| KiCad E.D.A. kicad-cli 7.0.7-7.0.7-ubuntu22.04.1 | | Id: 9/16 |



| | | | |
|--|-------|-----------|--|
| Sheet: /LS/ | | | |
| File: LS10.kicad_sch | | | |
| Title: | | | |
| Size: A4 | Date: | Rev: | |
| KiCad E.D.A. kicad-cli 7.0.7-7.0.7-ubuntu22.04.1 | | Id: 10/16 | |



Sheet: /INJ/
 File: INJ12.kicad_sch

Title:

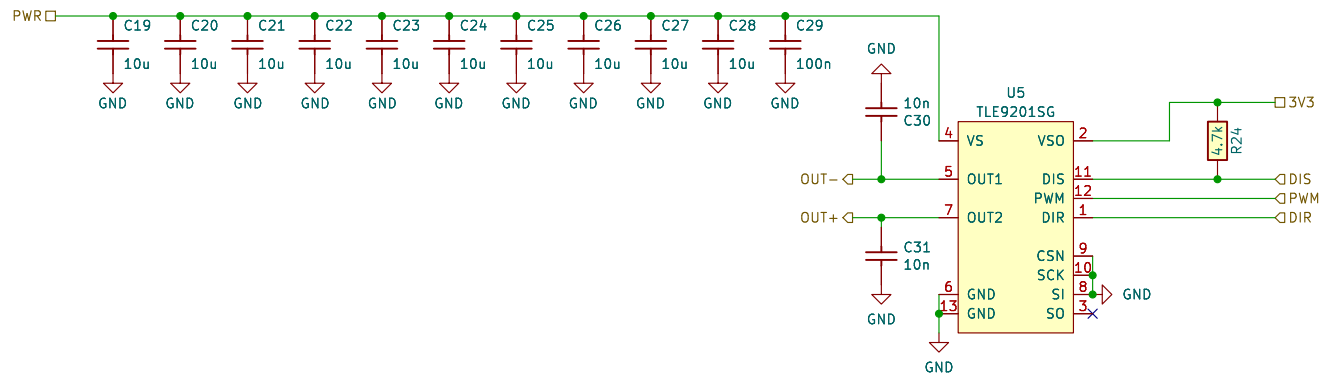
Size: A4

Date:

KiCad E.D.A. kicad-cli 7.0.7-7.0.7-ubuntu22.04.1

Rev:

Id: 11/16



Sheet: /DC1/
 File: DC_MOTOR_0.1.kicad_sch

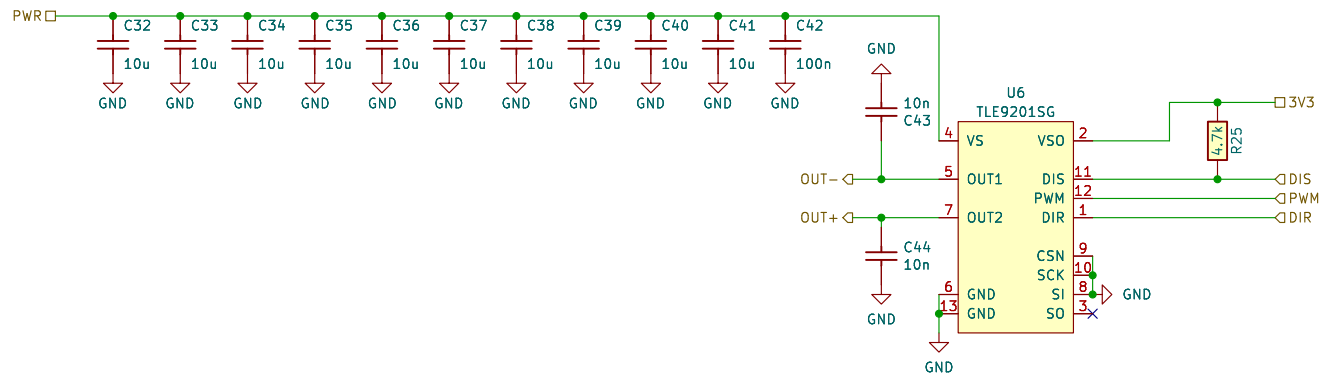
Title: Hellen-One DC motor driver

Size: A4 Date: 2023-09-04

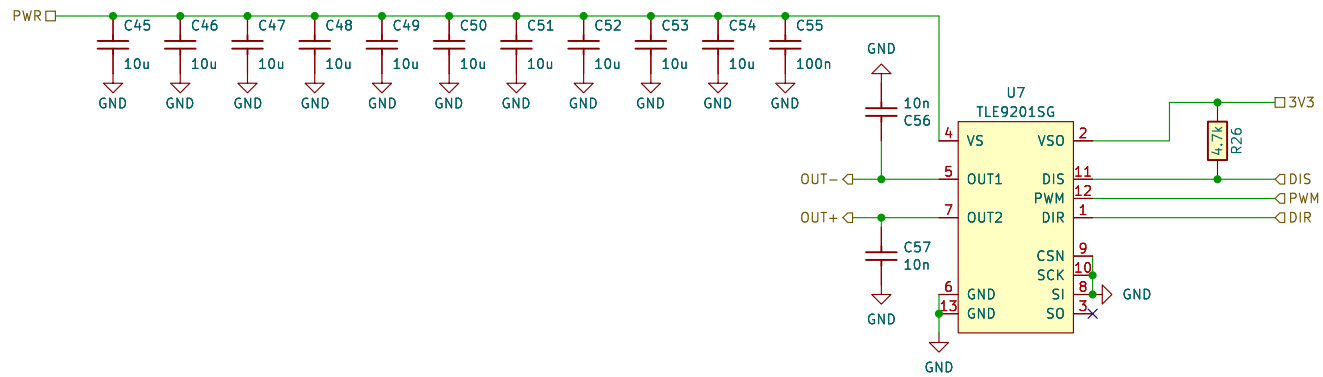
Rev: 0.1

KiCad E.D.A. kicad-cli 7.0.7-7.0.7-ubuntu22.04.1

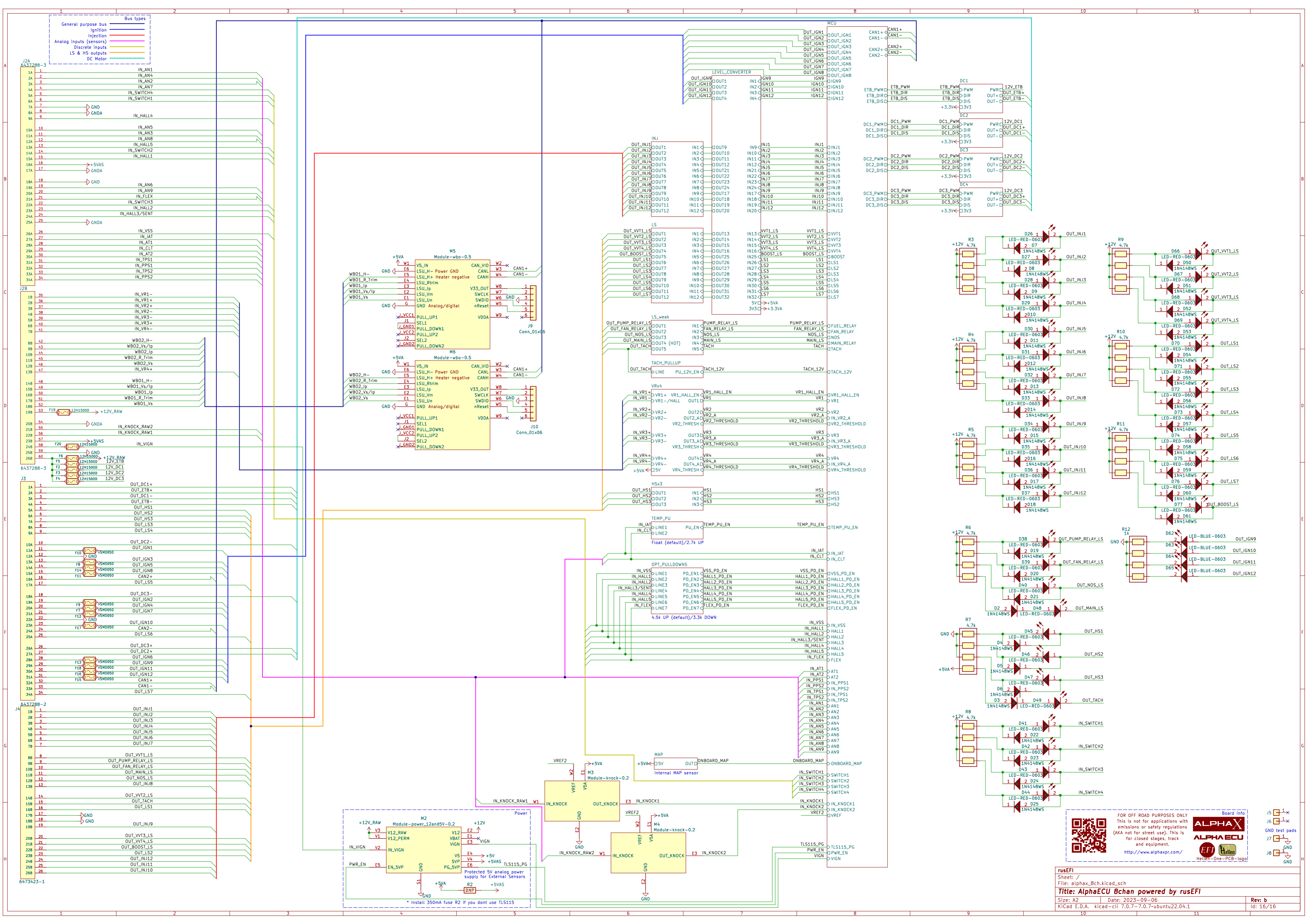
Id: 12/16



| | | | |
|--|--|------------------|-----------|
| Sheet: /DC3/ | | Date: 2023-09-04 | |
| File: DC_MOTOR_0.1.kicad_sch | | Rev: 0.1 | |
| Title: Hellen-One DC motor driver | | | |
| Size: A4 | KiCad E.D.A. kicad-cli 7.0.7-7.0.7-ubuntu22.04.1 | | Id: 13/16 |

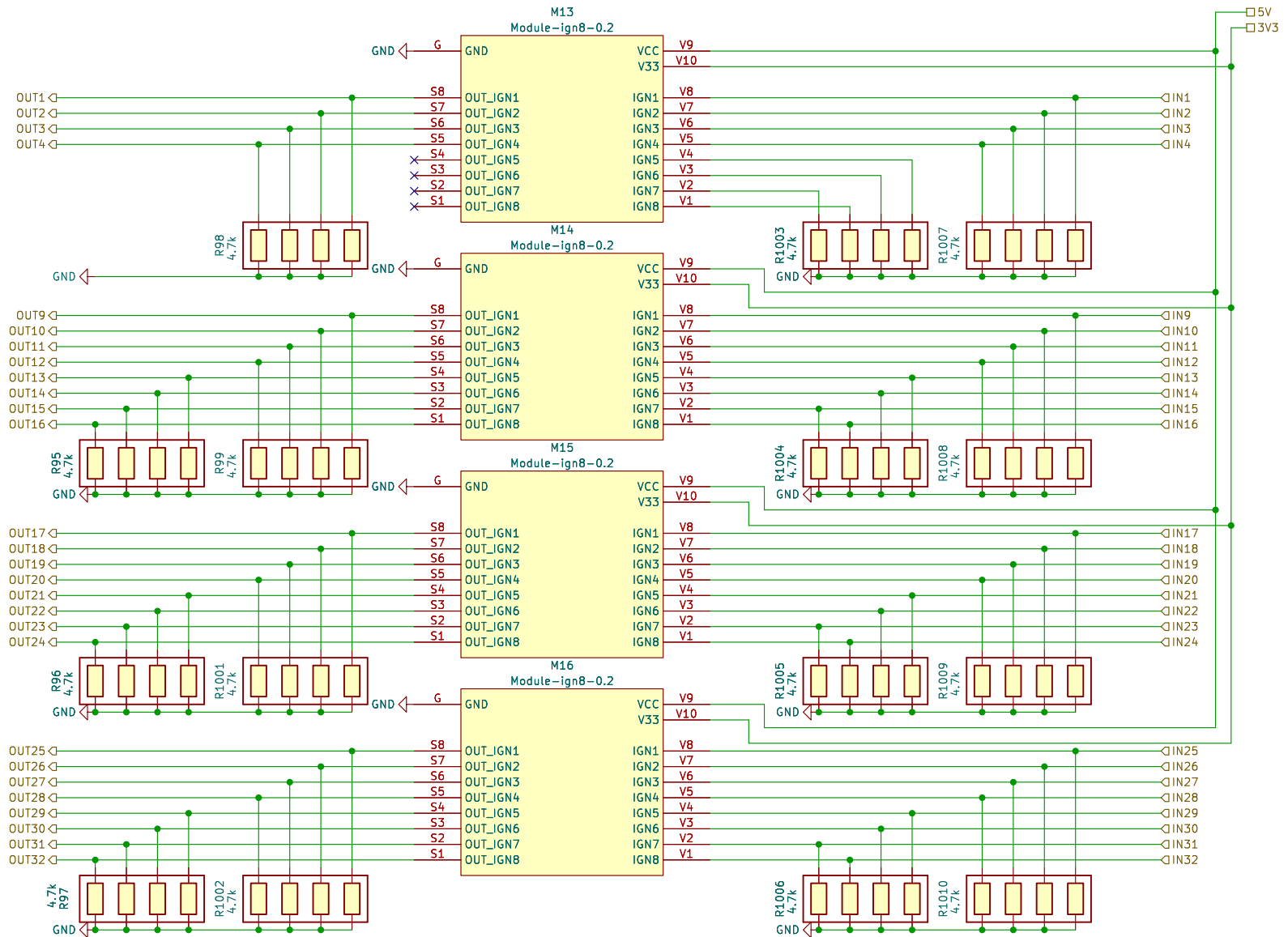


| | | | |
|--|------------------|--|-----------|
| Sheet: /DC4/ | | Date: 2023-09-04 | |
| File: DC_MOTOR_0.1.kicad_sch | | Rev: 0.1 | |
| Title: Hellen-One DC motor driver | | KiCad E.D.A. kicad-cli 7.0.7-7.0.7-ubuntu22.04.1 | |
| Size: A4 | Date: 2023-09-04 | Rev: 0.1 | Id: 14/16 |



FOR OFF ROAD PURPOSES ONLY
 This is not for applications with
 emissions or safety regulations
 (AKA not for street use). This is
 for closed stages, track
 and equipment.
<http://www.alphaecr.com/>

Board info
ALPHAECU
 ECU
 Hellen-One-PCB-1000



Sheet: /LEVEL_CONVERTER/
 File: LEVEL_CONVERTER.kicad_sch

Title:

Size: A4

Date:

KiCad E.D.A. kicad-cli 7.0.7-7.0.7-ubuntu22.04.1

Rev:

Id: 16/16