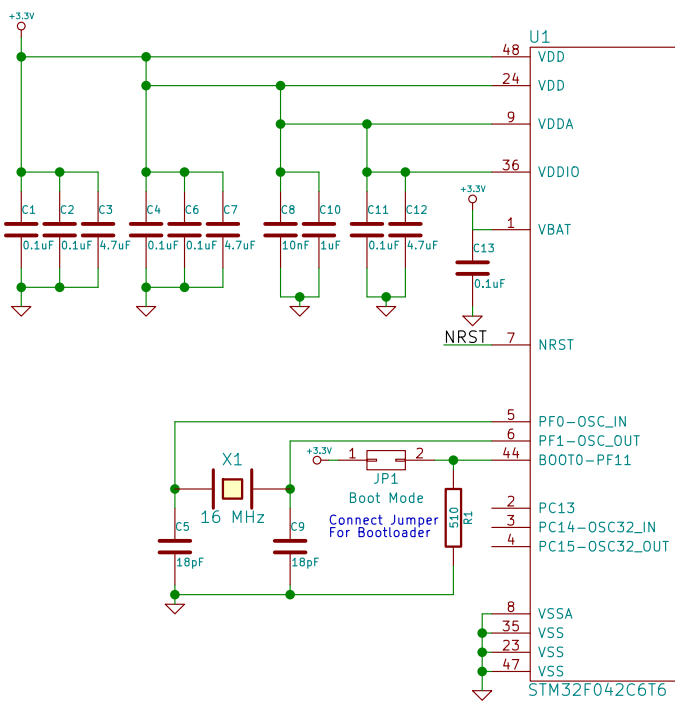
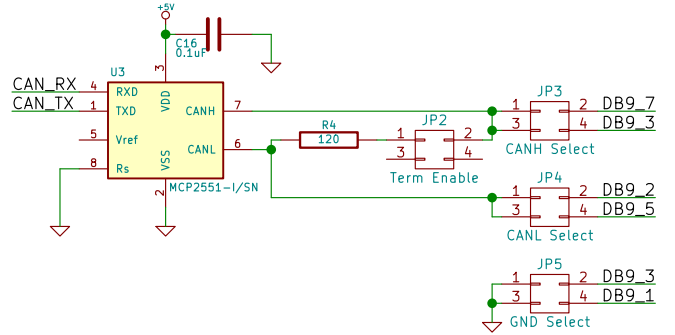
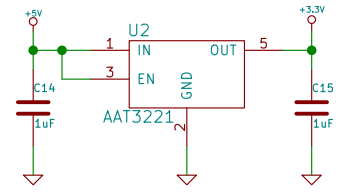
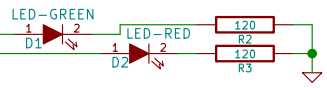


CAN DB9 Pinouts:
 Standard: 7 = CANH, 2 = CANL, 3 = GND
 OBD-II Cable: 3 = CANH, 5 = CANL, 1 = GND



- PA0 10
- PA1 11
- PA2 12
- PA3 13
- PA4 14
- PA5 15
- PA6 16
- PA7 17
- PA8 29
- PA9 30
- PA10 31
- PA11 32 USB_DM
- PA12 33 USB_DP
- PA13 34 SWDIO
- PA14 37 SWCLK
- PA15 38
- PB0 18
- PB1 19
- PB2 20
- PB3 39
- PB4 40
- PB5 41
- PB6 42
- PB7 43
- PB8 45 CAN_RX
- PB9 46 CAN_TX
- PB10 21
- PB11 22
- PB12 25
- PB13 26
- PB14 27
- PB15 28



Sheet: /		Date:	
File: cantact.sch		Rev:	
Size: A4	KiCad E.D.A. kicad (2014-10-22 BZR 5216)-product	Id: 1/1	