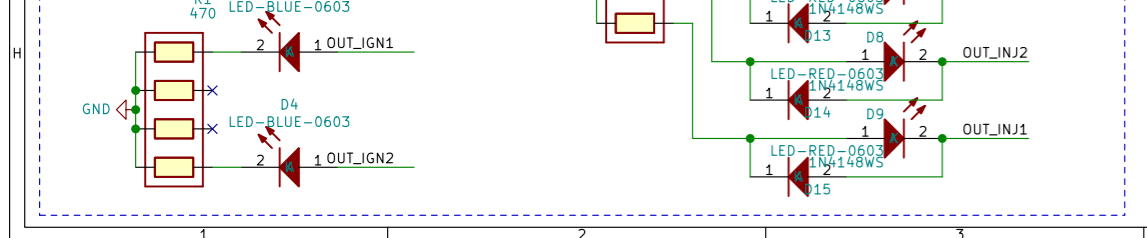
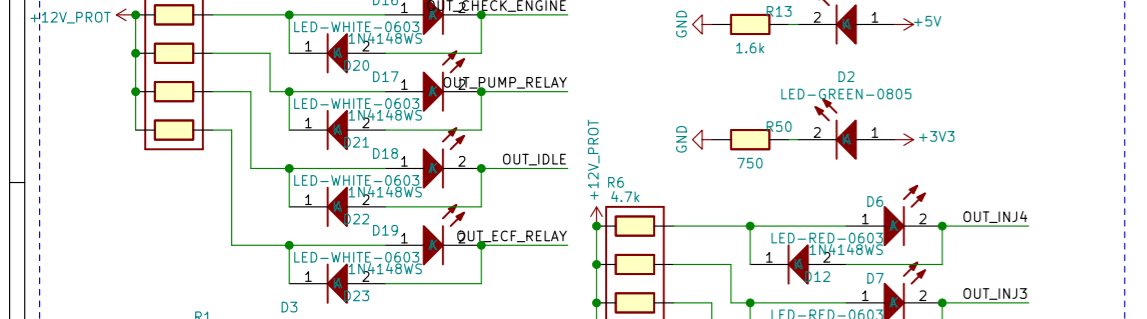
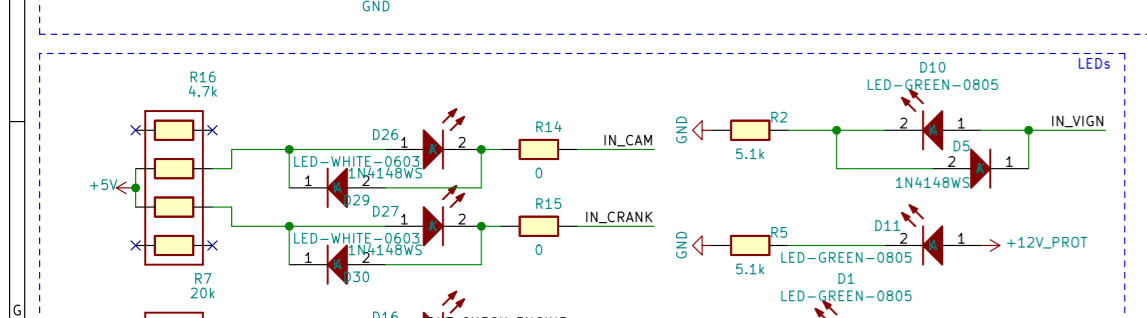
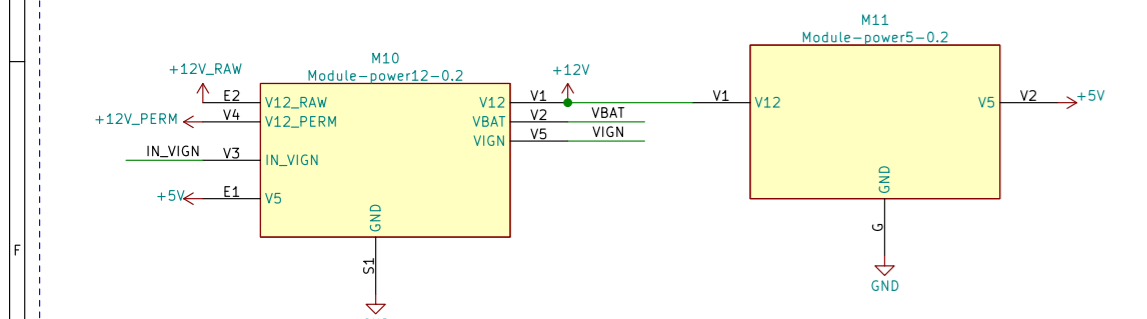
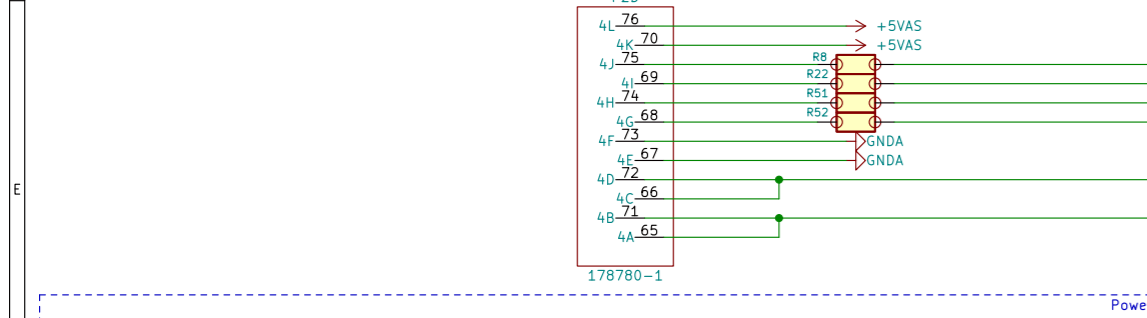
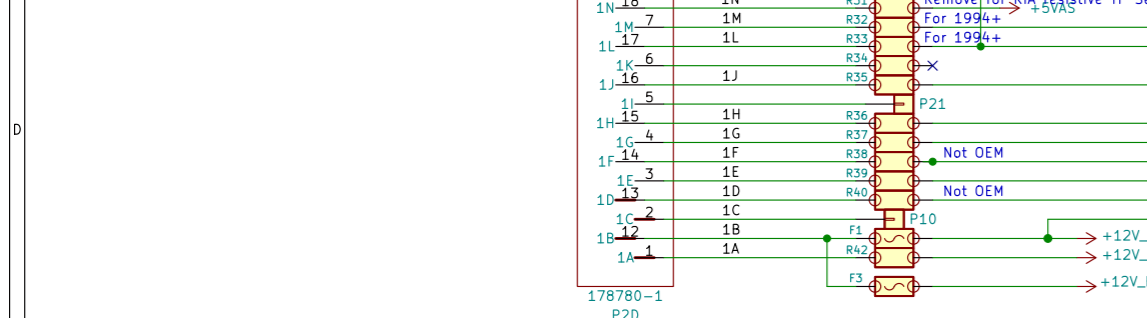
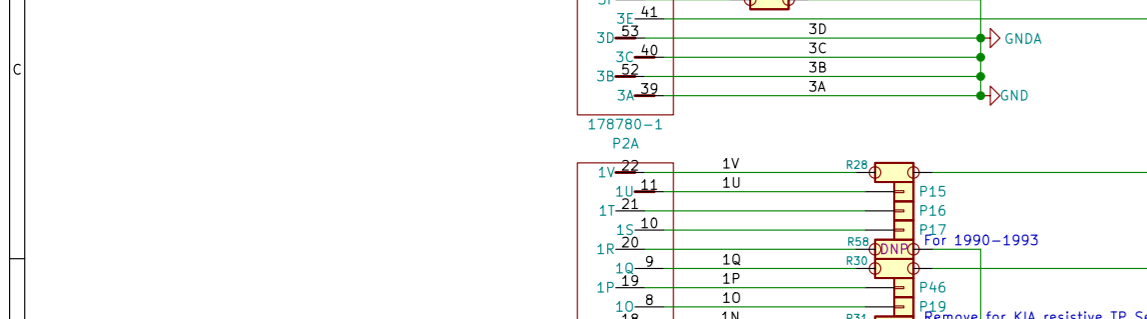
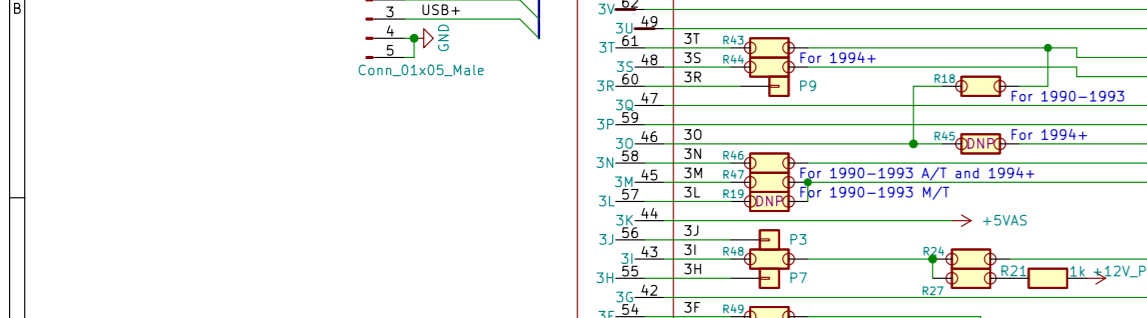
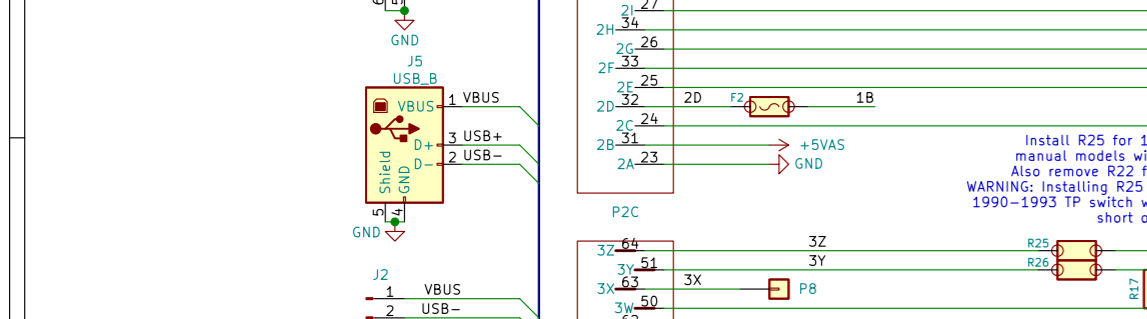
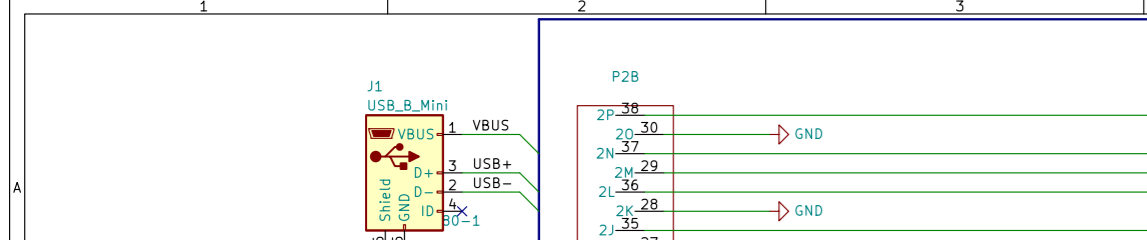
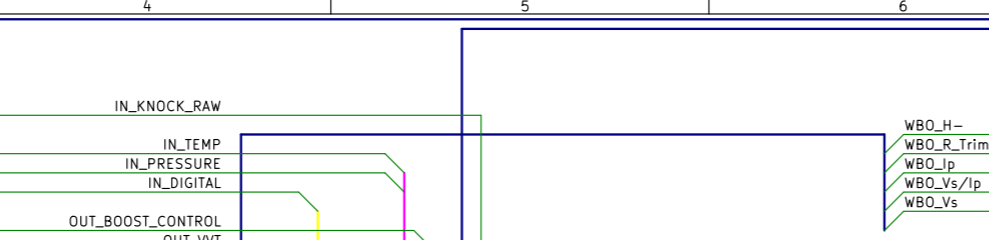
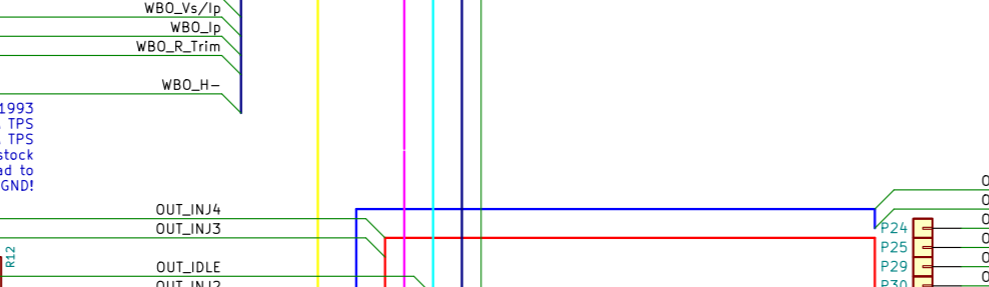
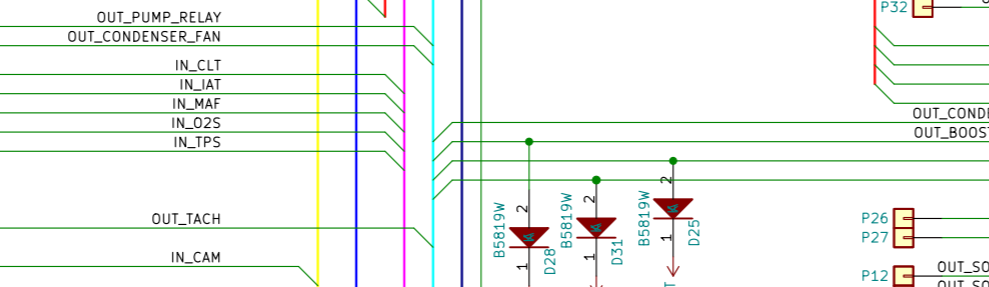
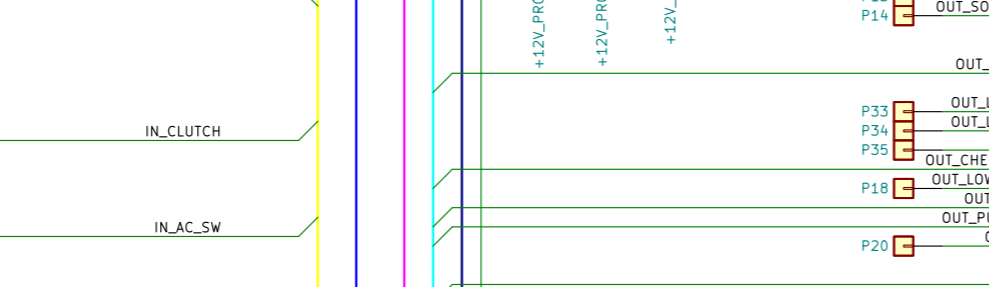
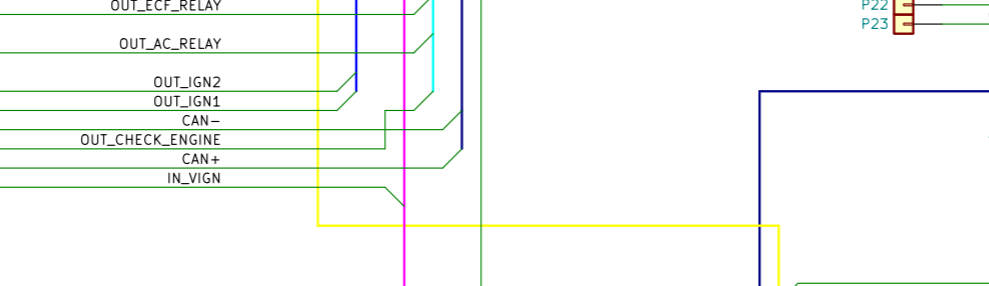
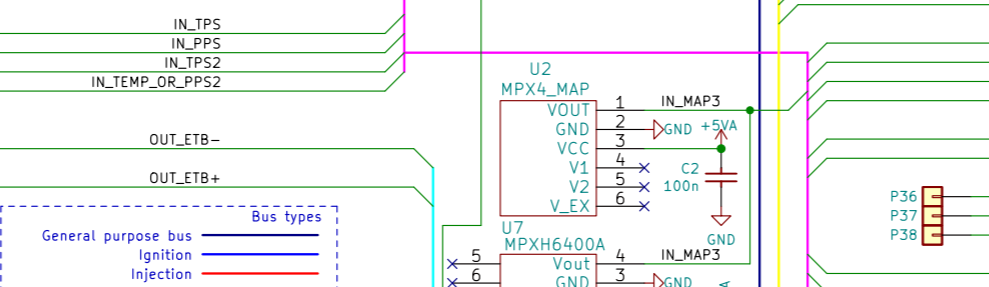
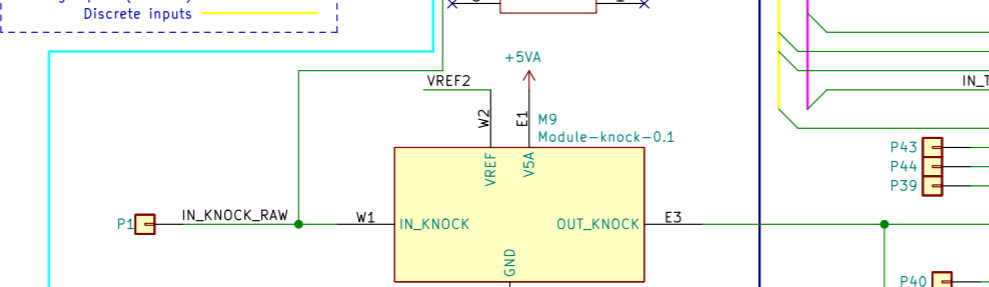
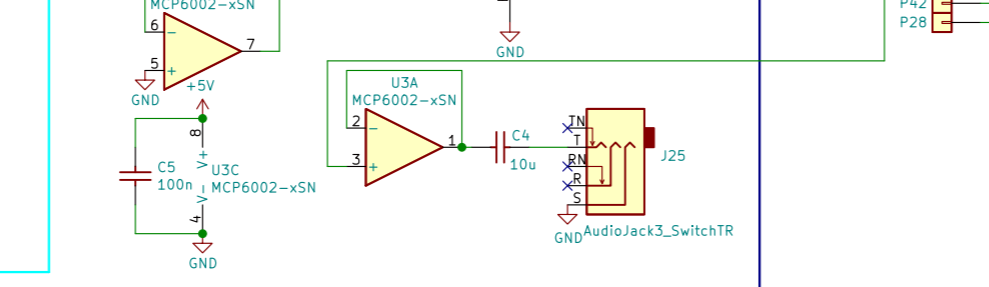
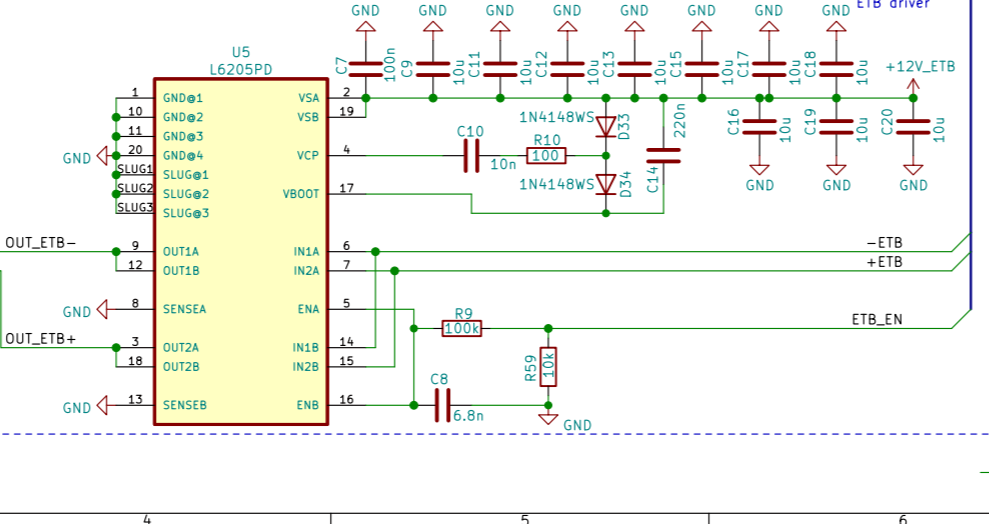
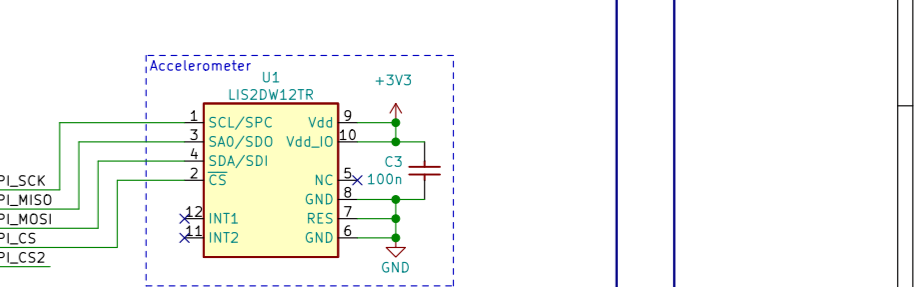
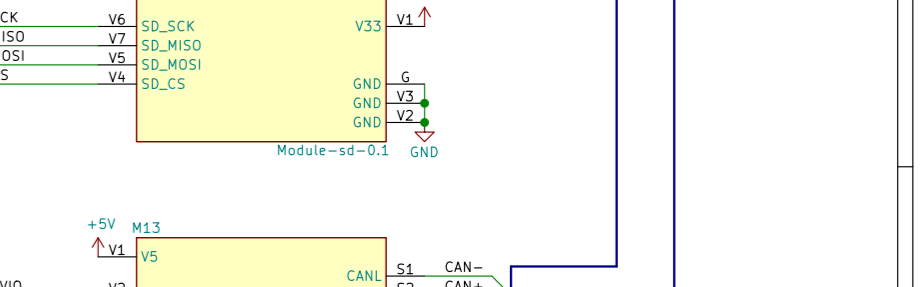
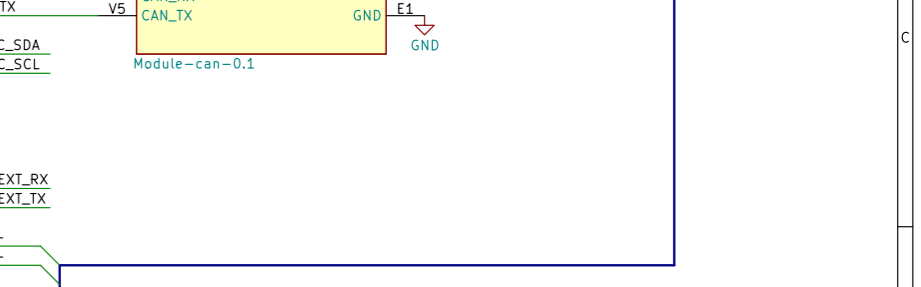
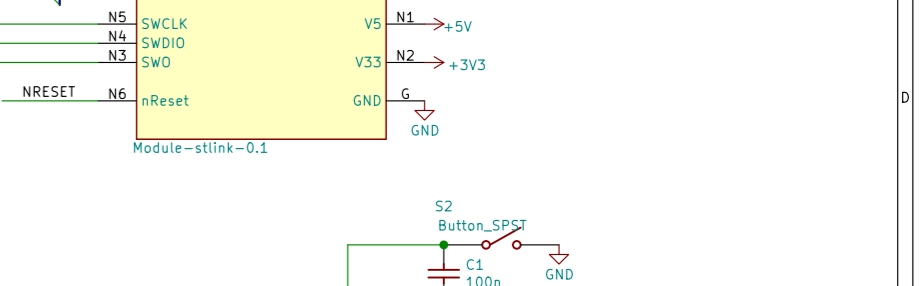
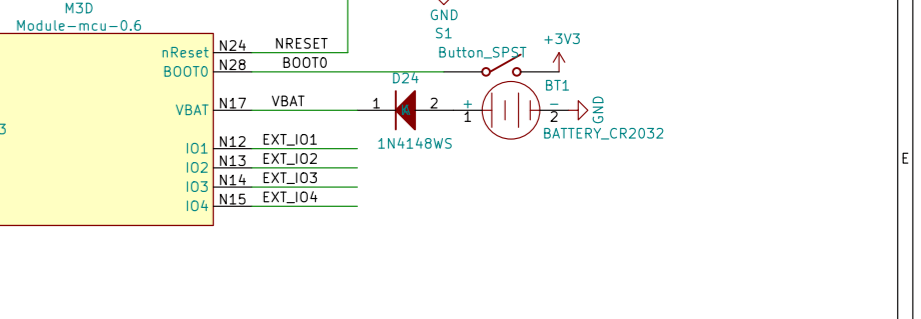
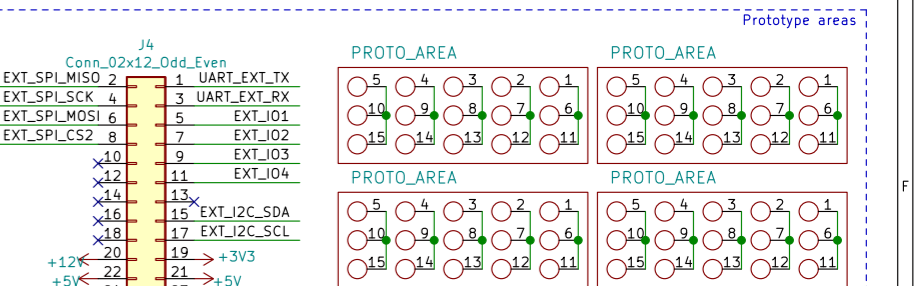
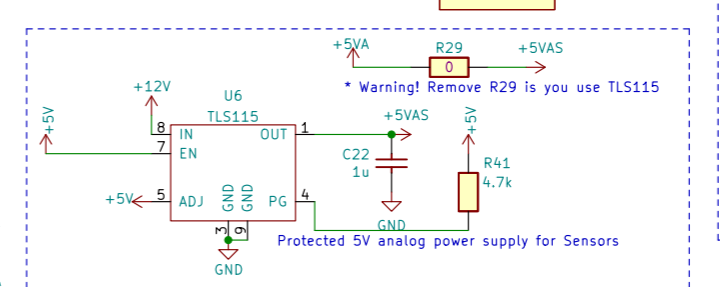
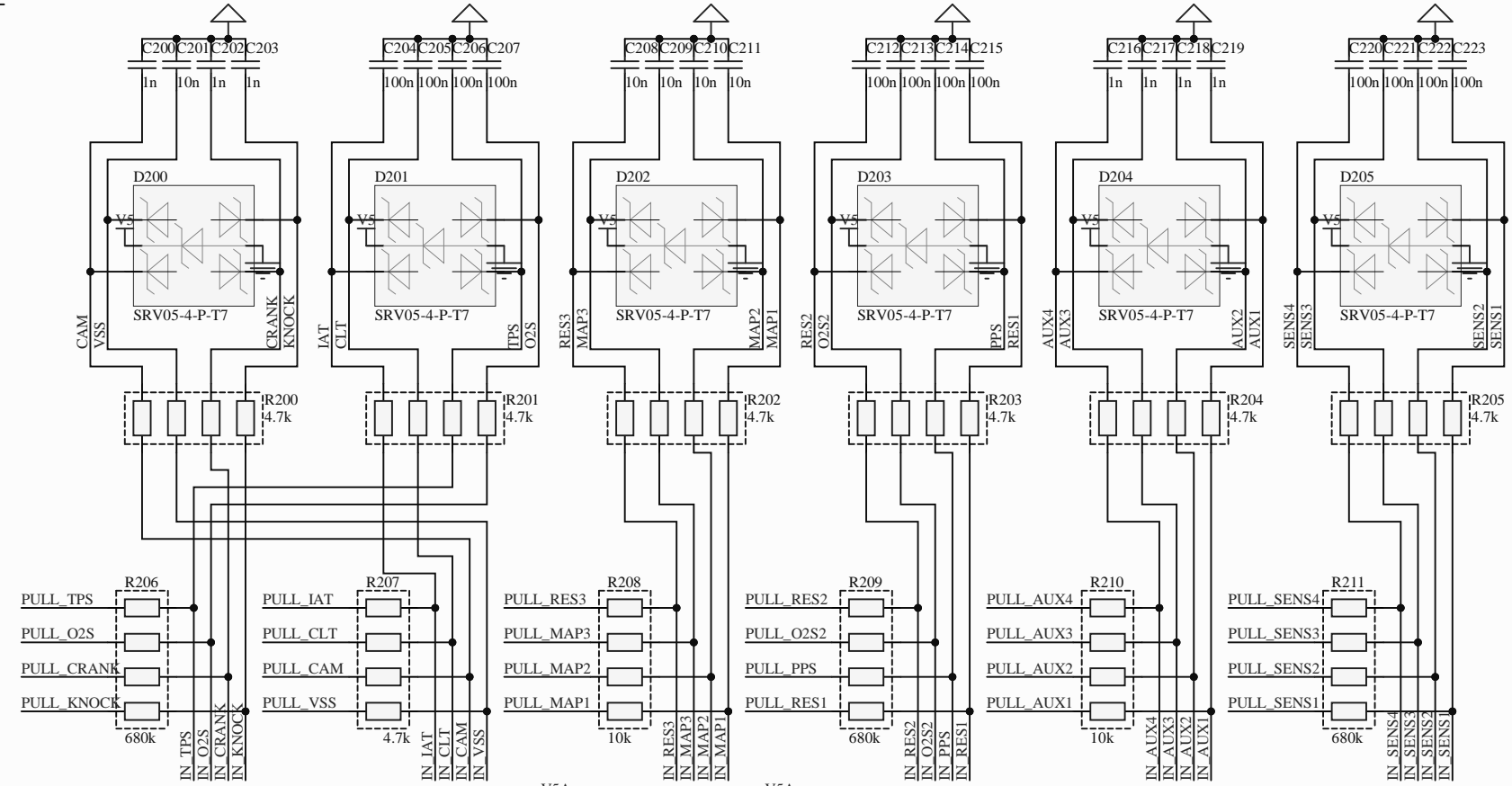


Board Info
 FOR OFF ROAD PURPOSES ONLY
 This is not for applications with
 emissions or safety regulations
 (AKA not for street use). This is
 for closed stages, track
 and equipment.
 Hellen-One-PCB-Logo
<https://rusefi.com/s/hellenNA6>



M200D			
PULL_CRANK J21	PULL_CRANK	PULL_MAP1	J14 PULL_MAP1
PULL_CAM J17	PULL_CAM	PULL_MAP2	J13 PULL_MAP2
PULL_VSS J18	PULL_VSS	PULL_MAP3	J12 PULL_MAP3
PULL_TPS J19	PULL_TPS	PULL_AUX1	J10 PULL_AUX1
PULL_PPS J5	PULL_PPS	PULL_AUX2	J9 PULL_AUX2
PULL_IAT J15	PULL_IAT	PULL_AUX3	J8 PULL_AUX3
PULL_CLT J16	PULL_CLT	PULL_AUX4	J7 PULL_AUX4
PULL_O2S J20	PULL_O2S	PULL_SENS1	J26 PULL_SENS1
PULL_O2S2 J4	PULL_O2S2	PULL_SENS2	J25 PULL_SENS2
PULL_RES1 J6	PULL_RES1	PULL_SENS3	J24 PULL_SENS3
PULL_RES2 J3	PULL_RES2	PULL_SENS4	J23 PULL_SENS4
PULL_RES3 J11	PULL_RES3	PULL_KNOCK	J22 PULL_KNOCK

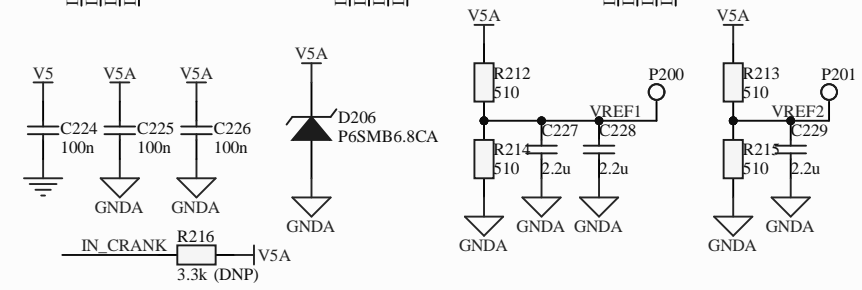
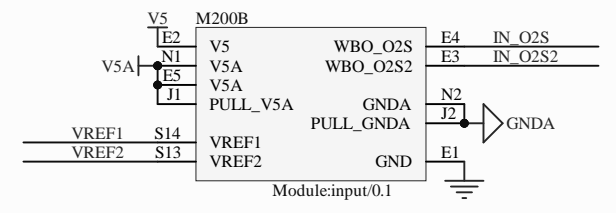
Module:input/0.1

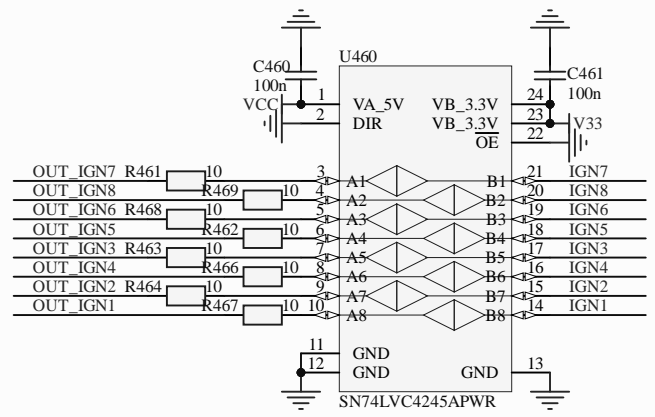
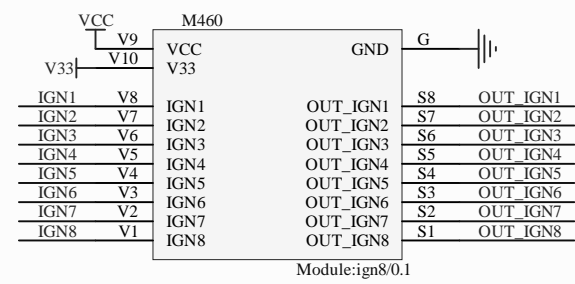


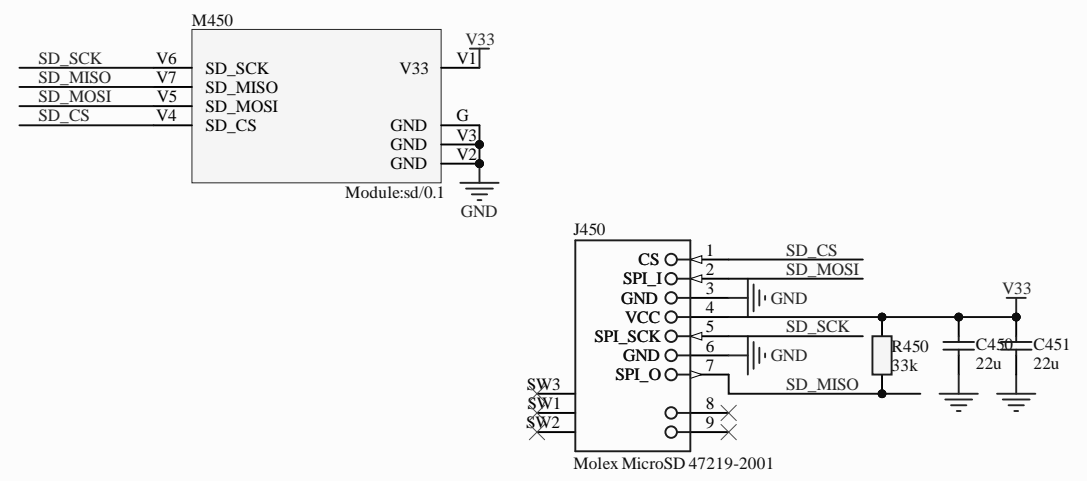
M200C		M200A	
IN_CRANK S8	IN_CRANK	N21 CRANK	
IN_CAM S5	IN_CAM	N19 CAM	
IN_VSS S6	IN_VSS	N20 VSS	
IN_TPS S10	IN_TPS	N17 TPS	
IN_PPS S24	IN_PPS	N5 PPS	
IN_IAT S16	IN_IAT	N15 IAT	
IN_CLT S15	IN_CLT	N16 CLT	
IN_O2S S9	IN_O2S	N18 O2S	
IN_O2S2 S25	IN_O2S2	N4 O2S2	
IN_RES1 S23	IN_RES1	N6 RES1	
IN_RES2 S26	IN_RES2	N3 RES2	
IN_RES3 S22	IN_RES3	N11 RES3	
IN_MAP1 S11	IN_MAP1	N14 MAP1	
IN_MAP2 S12	IN_MAP2	N13 MAP2	
IN_MAP3 S19	IN_MAP3	N12 MAP3	
IN_AUX1 S17	IN_AUX1	N10 AUX1	
IN_AUX2 S18	IN_AUX2	N9 AUX2	
IN_AUX3 S20	IN_AUX3	N8 AUX3	
IN_AUX4 S21	IN_AUX4	N7 AUX4	
IN_SENS1 S1	IN_SENS1	N26 SENS1	
IN_SENS2 S2	IN_SENS2	N25 SENS2	
IN_SENS3 S3	IN_SENS3	N24 SENS3	
IN_SENS4 S4	IN_SENS4	N23 SENS4	
IN_KNOCK S7	IN_KNOCK	N22 KNOCK	

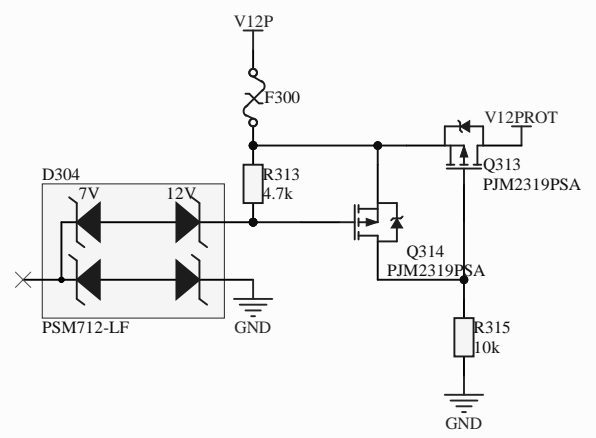
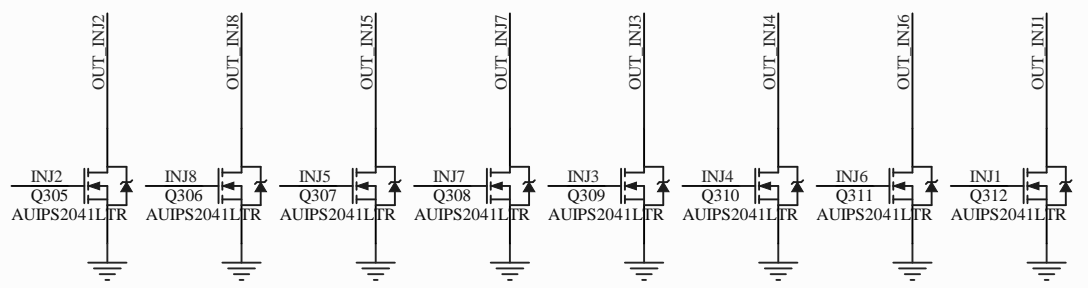
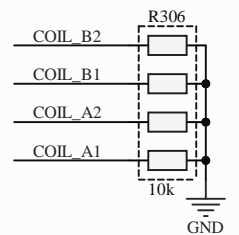
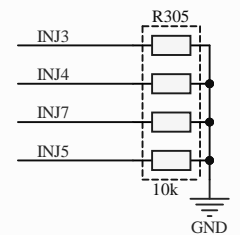
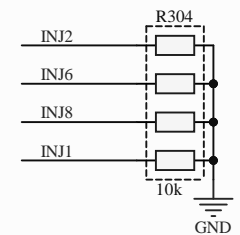
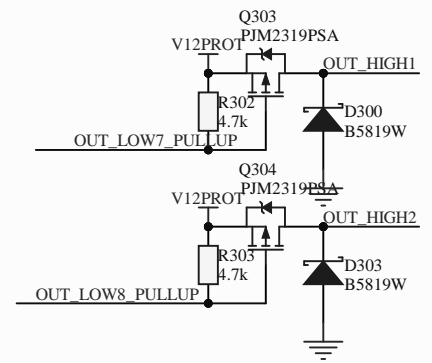
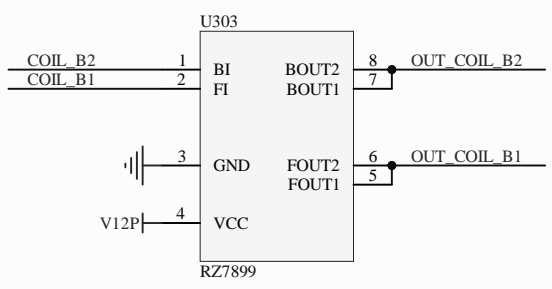
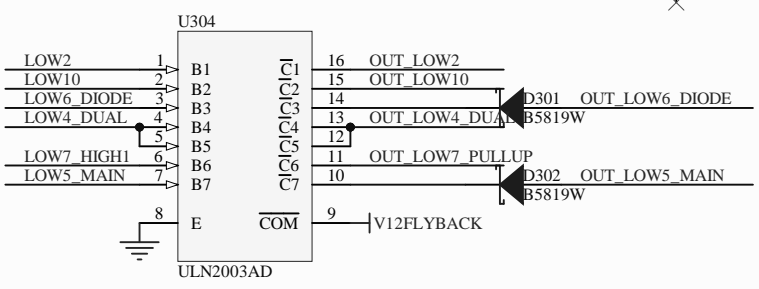
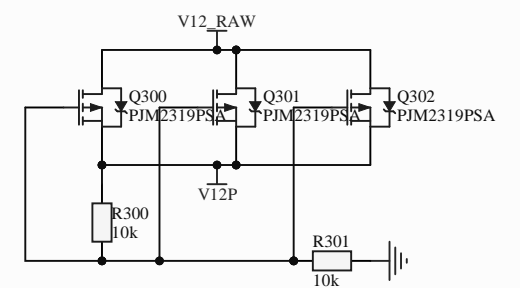
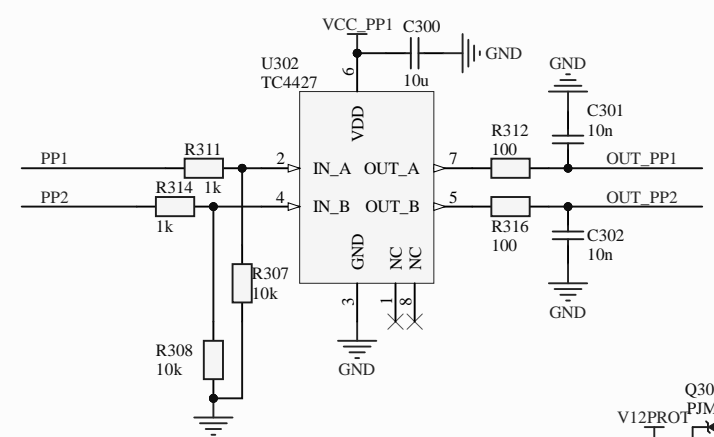
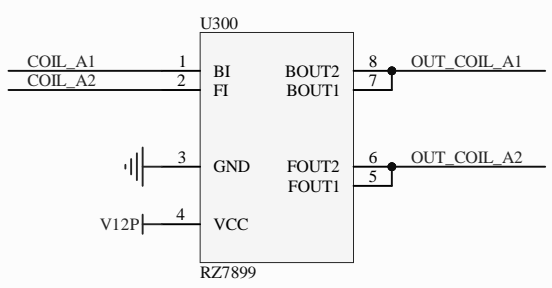
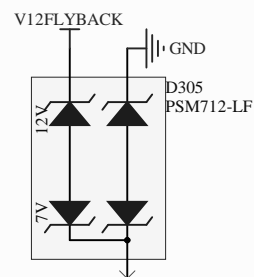
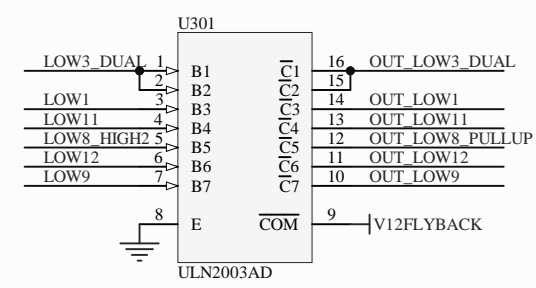
Module:input/0.1

Module:input/0.1

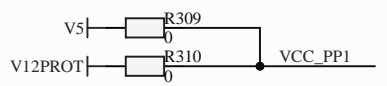
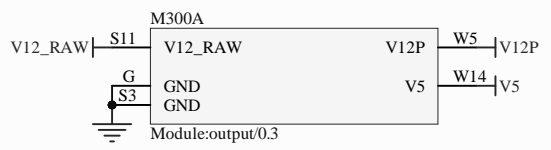
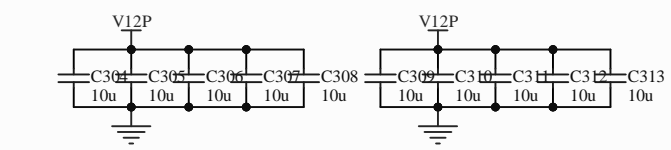




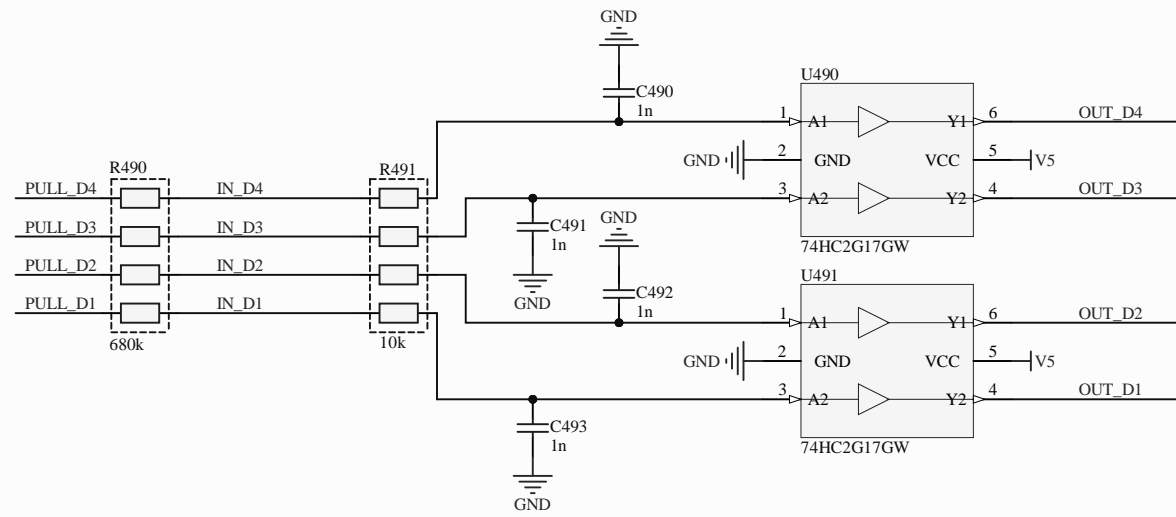
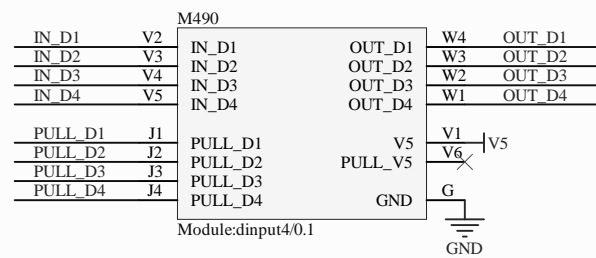


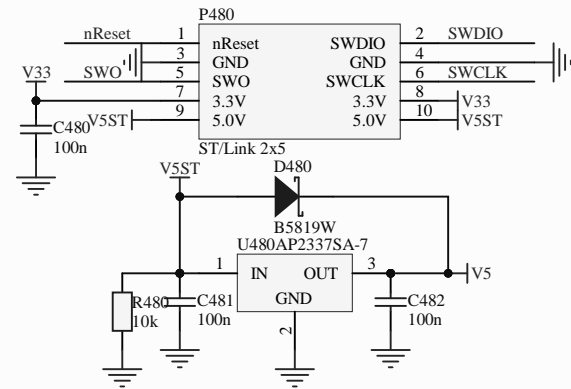
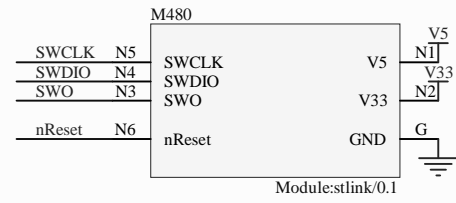


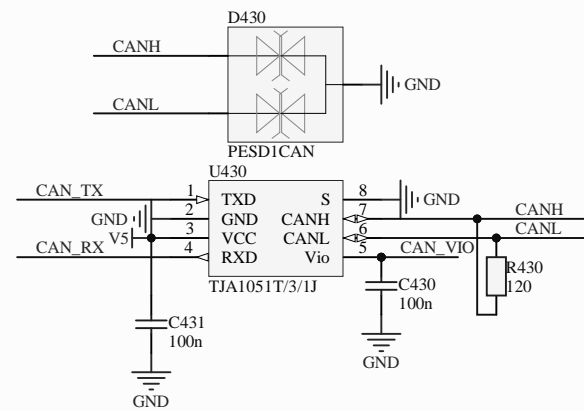
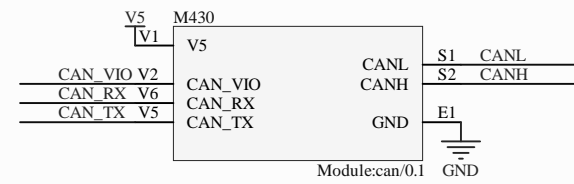
M300B		M300C	
INJ1	W24	OUT_INJ1	S18
INJ2	W23	OUT_INJ2	S16
INJ3	W20	OUT_INJ3	S17
INJ4	W19	OUT_INJ4	W7
INJ5	W18	OUT_INJ5	W10
INJ6	W17	OUT_INJ6	S15
INJ7	W16	OUT_INJ7	W12
INJ8	W15	OUT_INJ8	W11
PP1	W28	OUT_PP1	W6
PP2	W22	OUT_PP2	S6
COIL_A1	W33	OUT_SOLENOID_A1	S1
COIL_A2	W32	OUT_SOLENOID_A2	S2
COIL_B1	W31	OUT_SOLENOID_B1	S4
COIL_B2	W30	OUT_SOLENOID_B2	S5
LOW1	W21	OUT_LOW1	S8
LOW2	W29	OUT_LOW2	W1
LOW3_DUAL	W38	OUT_LOW3_DUAL	S7
LOW4_DUAL	W34	OUT_LOW4_DUAL	W4
LOW5_MAIN	W40	OUT_LOW4_DUAL	W13
LOW6_DIODE	W25	OUT_LOW5_MAIN	W3
LOW7_HIGH1	W39	OUT_LOW6_DIODE	W9
LOW8_HIGH2	W37	OUT_LOW7_PULLUP	S12
LOW9	W27	OUT_LOW8_PULLUP	S14
LOW10	W26	OUT_LOW9	W2
LOW11	W35	OUT_LOW10	S10
LOW12	W36	OUT_LOW11	S13
		OUT_LOW12	
		OUT_HIGH1	W8
		OUT_HIGH2	S9

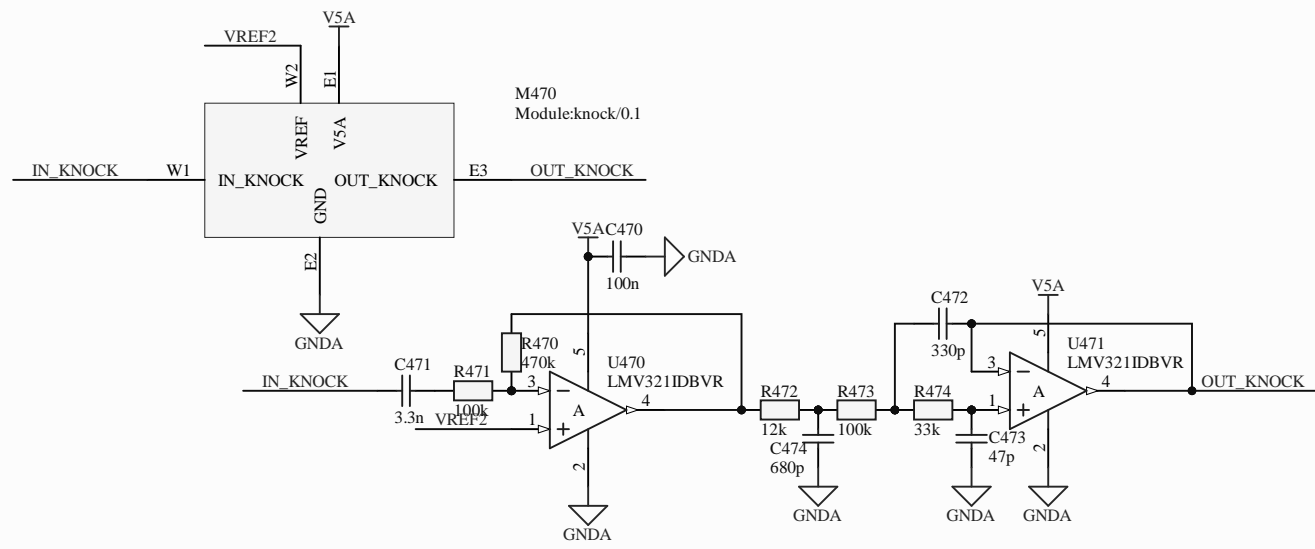


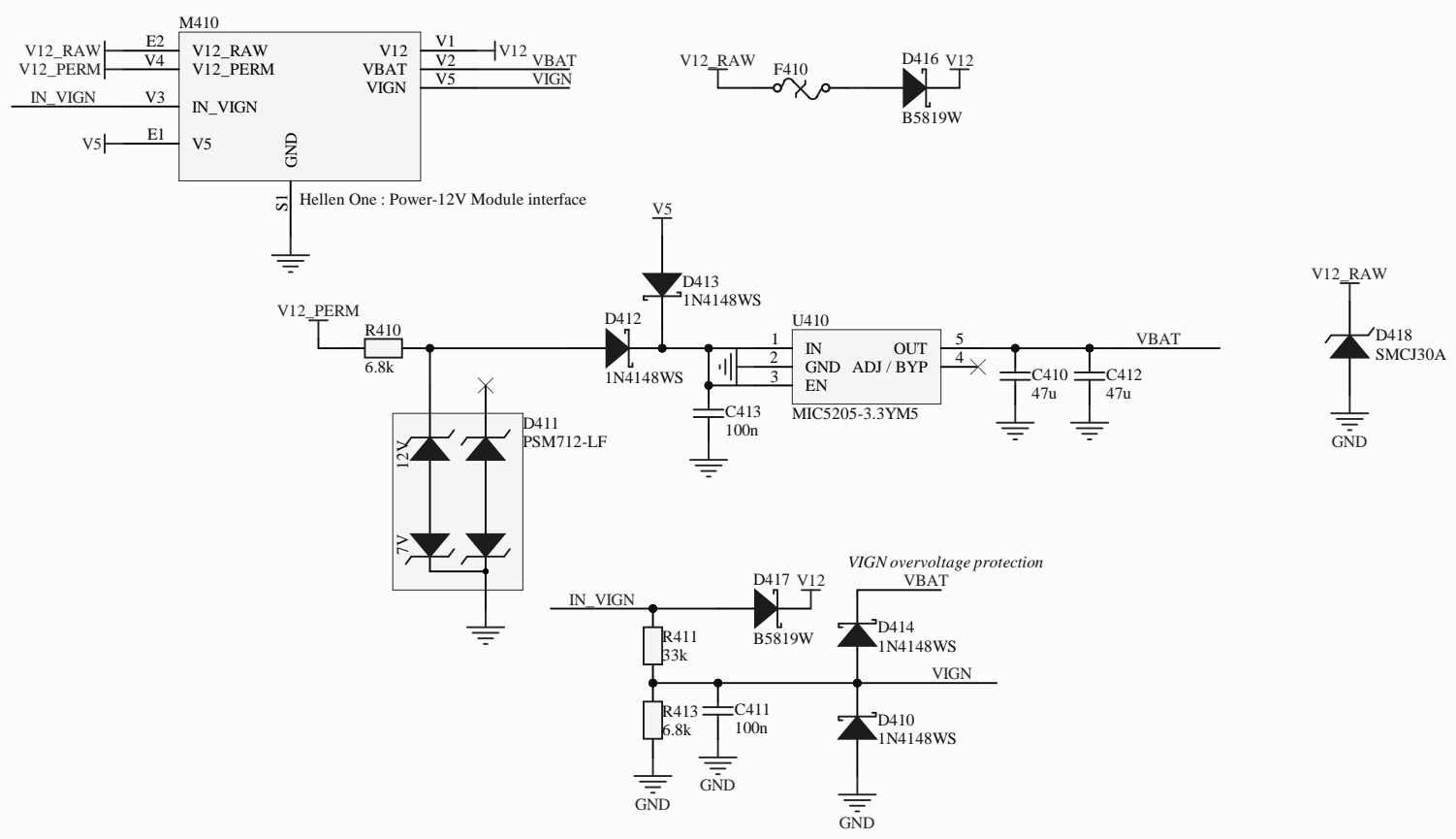
* These can be removed in the board compilation file

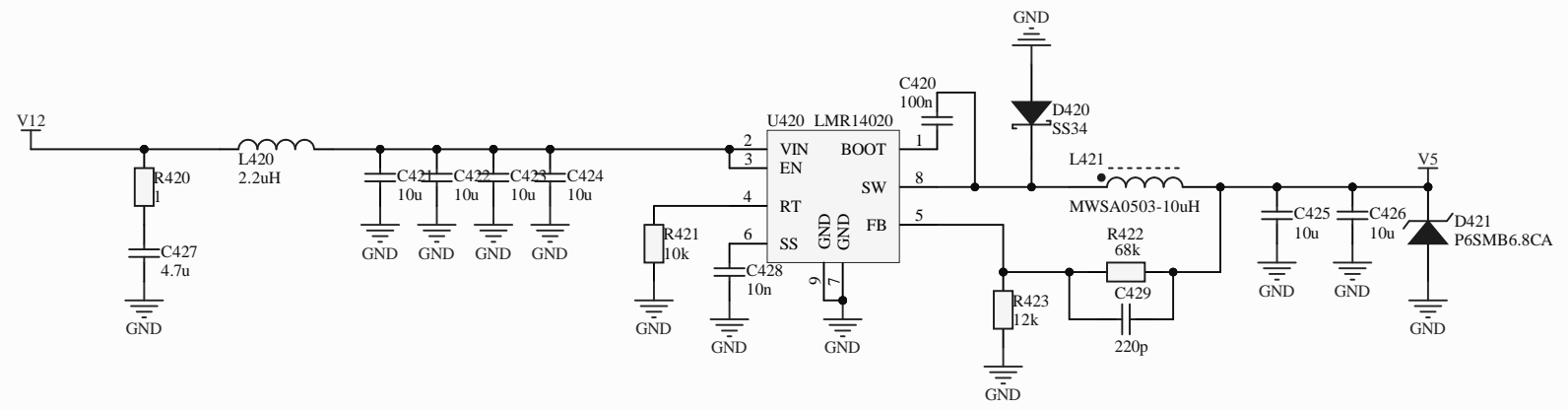
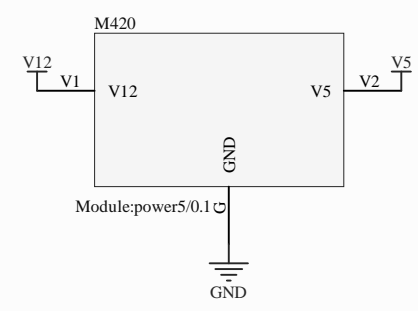


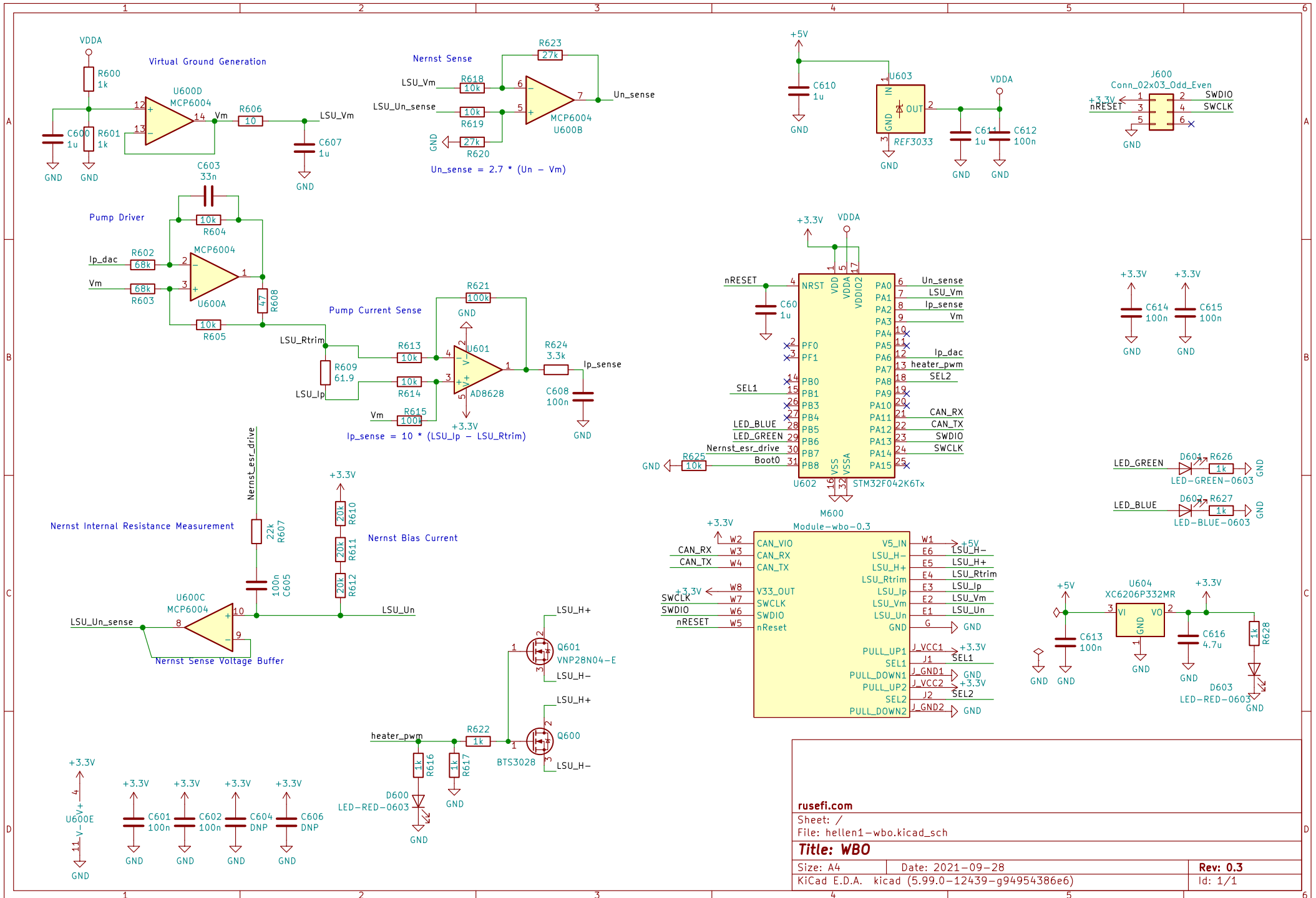












rusefi.com	
Sheet: /	
File: hellen1-wbo.kicad_sch	
Title: WBO	
Size: A4	Date: 2021-09-28
KiCad E.D.A. kicad (5.99.0-12439-g94954386e6)	
Rev: 0.3	
Id: 1/1	