

U105 STM32F427IGT6

1	PE2	132	OUT_IO6
2	PE3	131	OUT_IO5
3	PE4	130	OUT_IO4
4	PE5	129	OUT_IO3
5	PE6	128	OUT_IO2
6	VBAT	127	V33
7	PI8	126	VDD
8	PC13	125	VSS
9	PC14/OSC32_IN	124	SWDIO
10	PC15/OSC32_OUT	123	USBP
11	PI9	122	USBM
12	PI10	121	USBID
13	PI11	120	OUT_IO7
14	VSS	119	OUT_IO8
15	VDD	118	OUT_PWM4
16	PF0	117	OUT_PWM3
17	PF1	116	OUT_PWM2
18	PF2	115	OUT_PWM1
19	PF3	114	V33
20	PF4	113	VSS
21	PF5	112	OUT_INJ2
22	VSS	111	OUT_INJ1
23	VDD	110	OUT_IO13
24	PF6	109	OUT_IO12
25	PF7	108	OUT_IO11
26	PF8	107	OUT_IO10
27	PF9	106	OUT_IO9
28	PF10	105	OUT_PWM6
29	PH0/OSC_IN	104	OUT_PWM5
30	PH1/OSC_OUT	103	V33
31	NRST	102	VSS
32	PC0	101	OUT_PWM7
33	PC1	100	OUT_PWM8
34	PC2_C	99	OUT_INJ3
35	PC3_C	98	OUT_INJ4
36	VDD	97	OUT_INJ5
37	VSSA	96	PF8
38	VREF+	95	SPL_SD_MOSI
39	VDDA	94	SPL_SD_MISO
40	PA0	93	SPL_SD_SCK
41	PA1	92	SPL_SD_CS
42	PA2	91	V33
43	PH2	90	VSS
44	PH3	89	PH12

Module:mcu/0.1 M101C

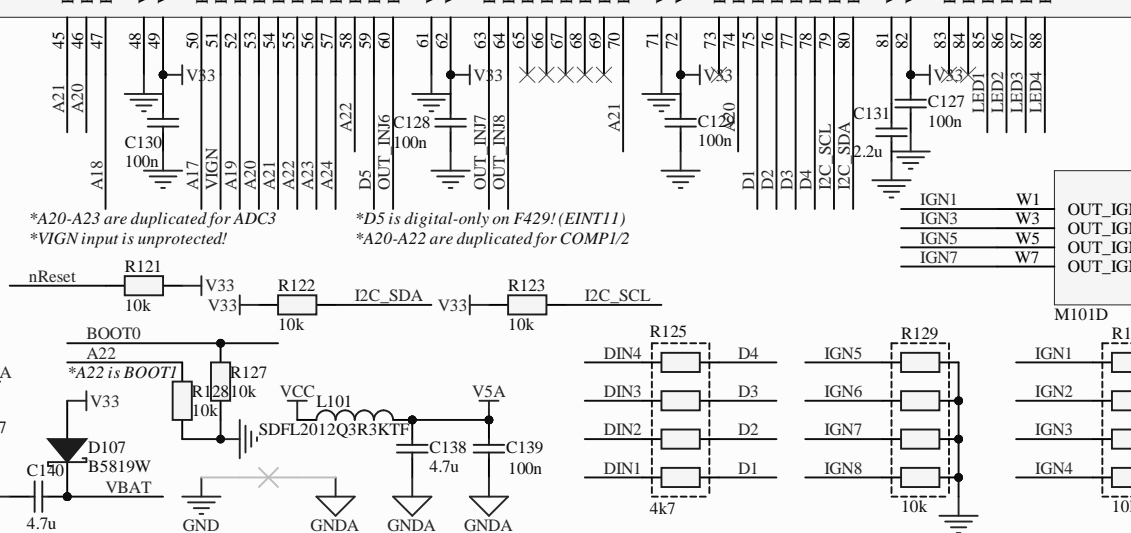
DIN1	S3	V5	IN_D1	S2	DIN2
DIN3	S5	V33	IN_D3	S6	DIN4
VIGN	S7	V33	VIGN	S8	AIN1
AIN2	S9	V33	IN_SENS2	S10	AIN3
AIN4	S11	V33	IN_SENS4	S12	AIN6
AIN24	S13	V33	IN_CRANK	S14	DIN5
AIN19	S15	V33	IN_CAM	S16	AIN13
AIN17	S17	V33	IN_IAT	S18	AIN11
AIN14	S19	V33	IN_TPS	S20	AIN9
AIN10	S21	V33	IN_MAP1	S22	AIN15
AIN8	S23	V33	IN_MAP2	S24	AIN23
AIN21	S25	V33	IN_MAP3	S26	AIN22
AIN20	S27	V33	IN_AUX1	S28	AIN7
AIN18	S29	V33	IN_AUX2	S30	AIN12
AIN16	S31	V33	IN_PPS	S32	
	S33	V5A	IN_O2S2	S32	

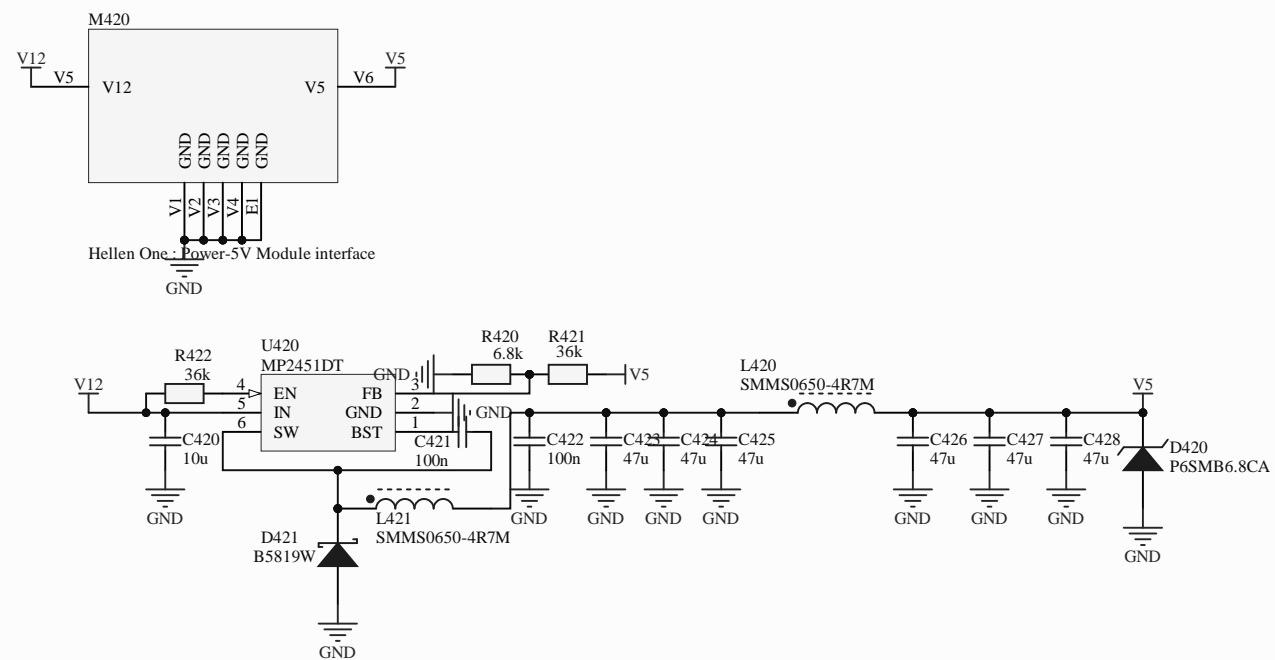
Module:mcu/0.1 M101B

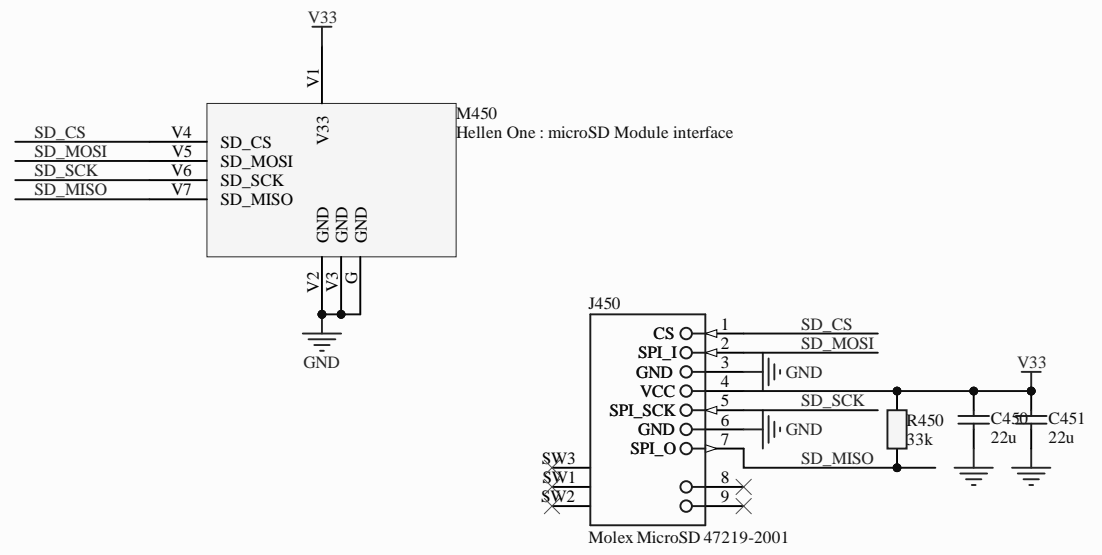
SPL_SCK	E1	SPL_SCK	SPL_MISO	E2	SPL_MISO
SPL_MOSI	E3	SPL_MOSI	SPL_CS1	E4	SPL_CS1
SPL_CS2	E5	SPL_CS2	OUT_IO1	E6	OUT_IO1
OUT_IO2	E7	OUT_IO2	OUT_IO3	E8	OUT_IO3
OUT_IO4	E9	OUT_IO4	OUT_IO5	E10	OUT_IO5
OUT_IO6	E11	OUT_IO6	OUT_IO7	E12	OUT_IO7
OUT_IO8	E13	OUT_IO8	OUT_IO9	E14	OUT_PWM1
OUT_PWM1	E15	OUT_PWM1	OUT_PWM2	E16	OUT_PWM3
OUT_PWM2	E17	OUT_PWM2	OUT_PWM3	E18	OUT_PWM5
OUT_PWM4	E19	OUT_PWM4	OUT_PWM5	E20	OUT_IO9
OUT_PWM6	E21	OUT_PWM6	OUT_IO9	E22	OUT_IO11
OUT_IO10	E23	OUT_IO10	OUT_IO11	E24	OUT_IO13
OUT_IO12	E25	OUT_IO12	OUT_IO13	E26	OUT_INJ2
OUT_INJ1	E27	OUT_INJ1	OUT_INJ2	E28	OUT_PWM8
OUT_PWM7	E27	OUT_PWM7	OUT_INJ3	E30	OUT_INJ4
OUT_INJ3	E29	OUT_INJ3	OUT_INJ4	E32	OUT_INJ6
OUT_INJ5	E31	OUT_INJ5	OUT_INJ6	E34	OUT_INJ8
OUT_INJ7	E33	OUT_INJ7	OUT_INJ8		

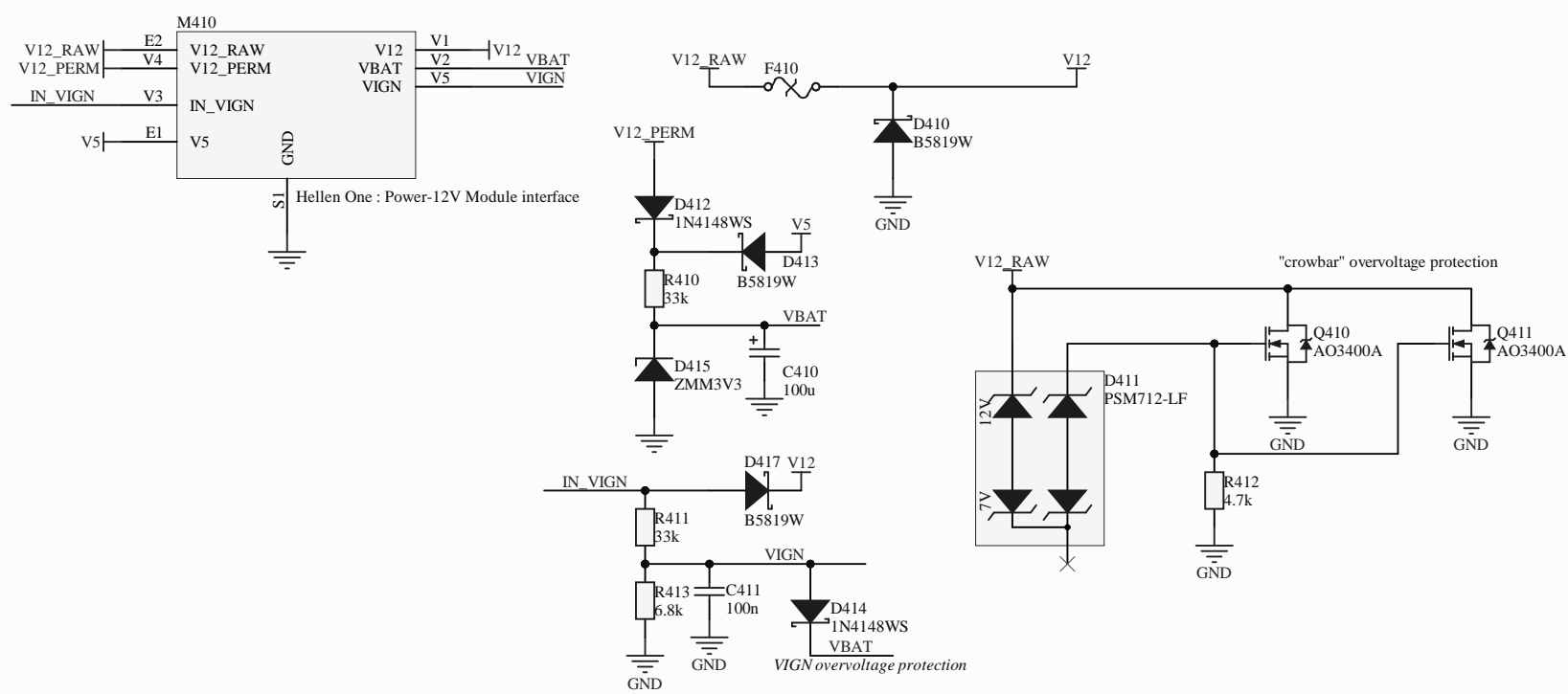
Module:mcu/0.1 M101A

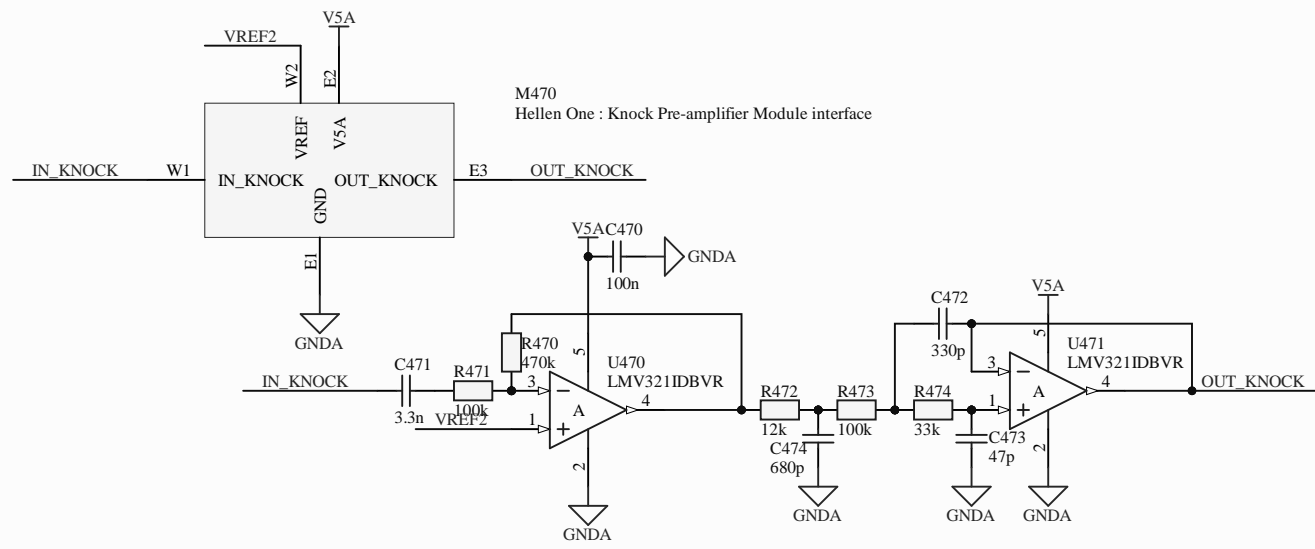
CAN_TX	N1	CAN_VIO	CAN_RX	N2	CAN_RX
UART_RX	N3	CAN_TX	UART_TX	N4	UART_TX
IO2	N7	IO1	IO1	N6	IO1
IO4	N9	IO2	IO3	N8	IO3
IO6	N11	IO4	IO5	N10	IO5
IO8	N13	IO6	IO7	N12	IO7
VBAT	N15	IO8	V33	N14	V33
I2C_SCL	N17	VBAT	I2C_SDA	N16	I2C_SDA
SPL_SD_MISO	N19	I2C_SCL	SD_SCK	N18	SPL_SD_SCK
SPL_SD_CS	N21	SPL_SD_MISO	SD_MOSI	N20	SPL_SD_MOSI
SWCLK	N23	SD_CS	nReset	N22	nReset
SWO	N25	SWCLK	SWDIO	N24	SWDIO
VBUS	N27	SWO	BOOT0	N26	BOOT0
USBM	N29	VBUS	USBP	N28	USBP
		USBID	USBID	N30	USBID

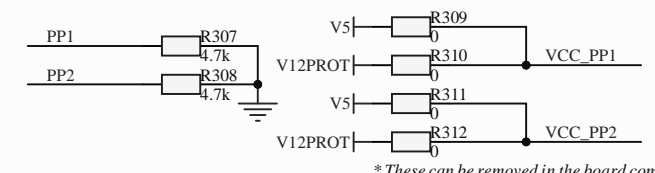
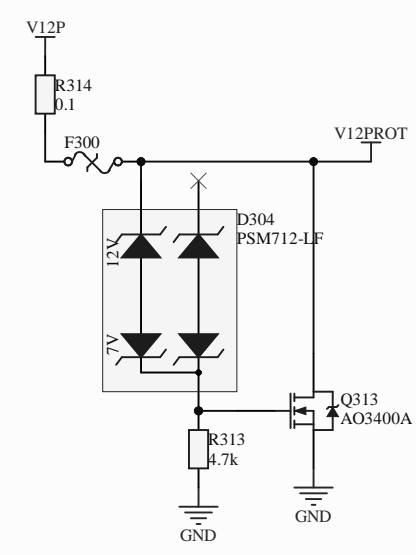
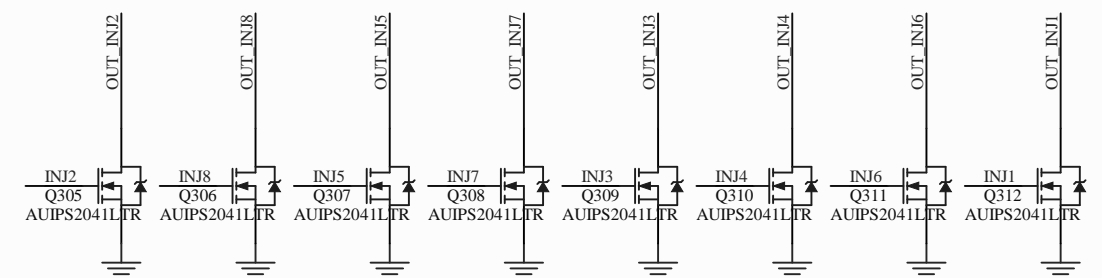
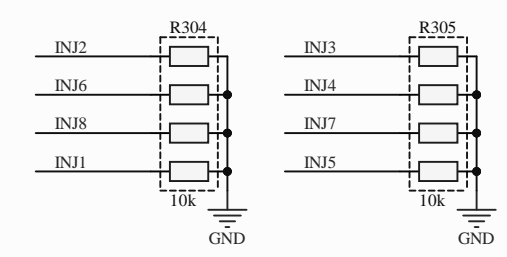
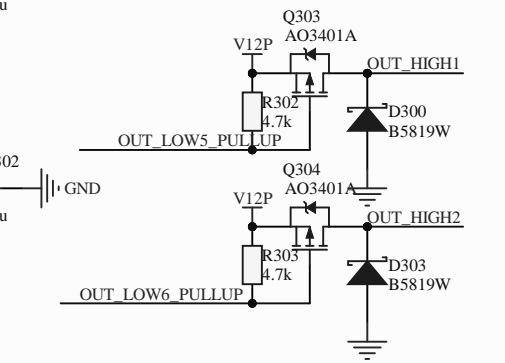
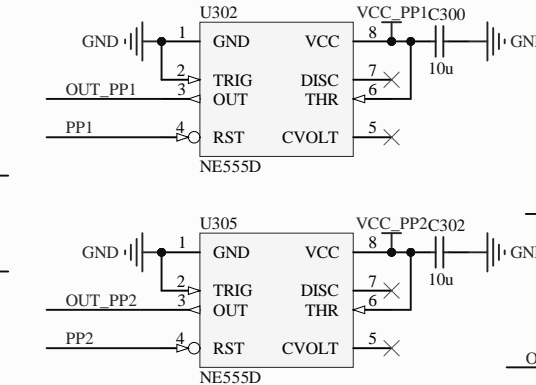
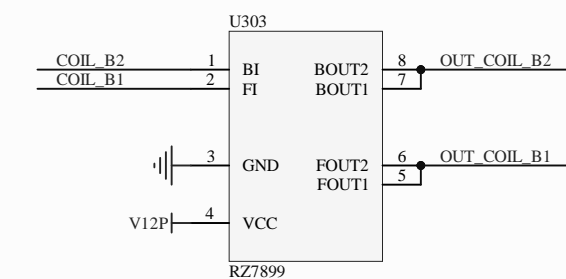
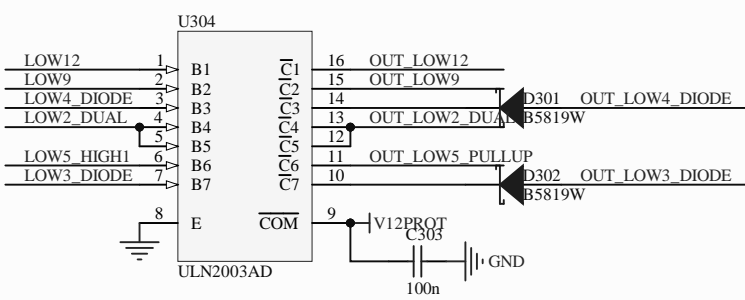
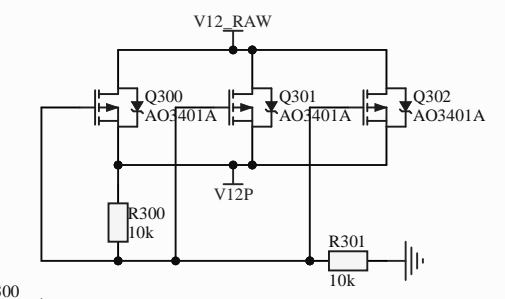
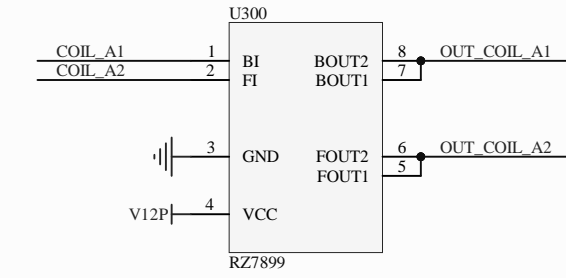
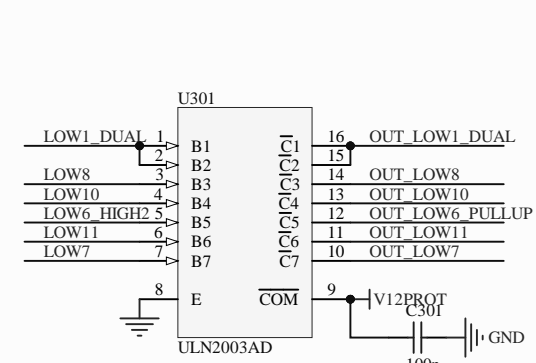




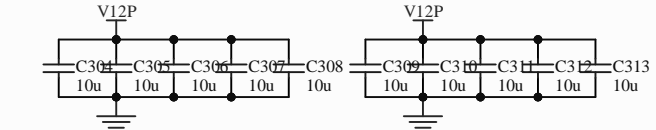






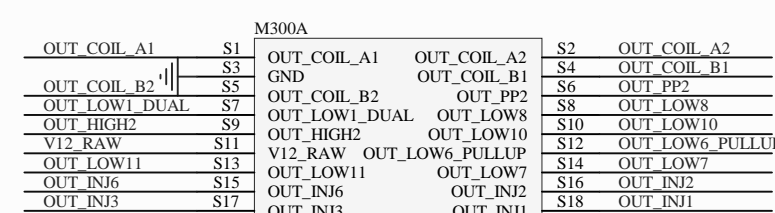


*These can be removed in the board compilation file



M300B		M300A	
OUT_LOW12	W1	OUT_COIL_A1	S1
OUT_LOW4_DIODE	W3	GND	S3
OUT_INJ4	W5	OUT_COIL_B2	S5
OUT_INJ8	W7	OUT_LOW1_DUAL	S7
OUT_LOW3_DIODE	W9	OUT_HIGH2	S9
INJ8	W11	V12_RAW	S11
INJ6	W13	OUT_LOW11	S13
INJ4	W15	OUT_INJ6	S15
INJ2	W17	OUT_INJ3	S17
LOW8	W19	OUT_COIL_A1	S2
LOW4_DIODE	W21	OUT_COIL_A2	S4
LOW2_DUAL	W23	OUT_COIL_B1	S6
LOW12	W25	OUT_PP2	S8
COIL_B1	W27	OUT_LOW8	S10
COIL_B2	W29	OUT_LOW10	S12
COIL_A1	W31	OUT_LOW6_PULLUP	S14
COIL_A2	W33	OUT_LOW7	S16
LOW2_DUAL	W35	OUT_INJ2	S18
LOW10	W37	OUT_INJ1	
LOW11	W39		
LOW3_DIODE			

Hellen One : Output Module interface



Hellen One : Output Module interface

