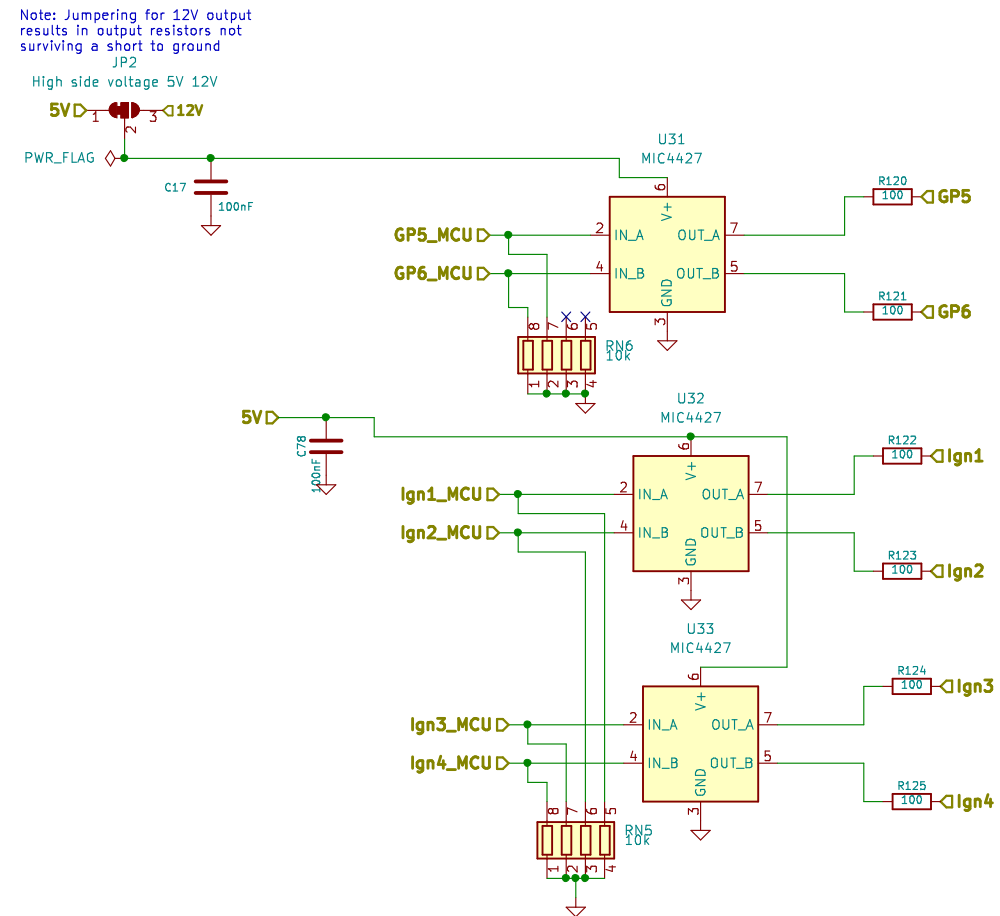


6 channel high / low side driver

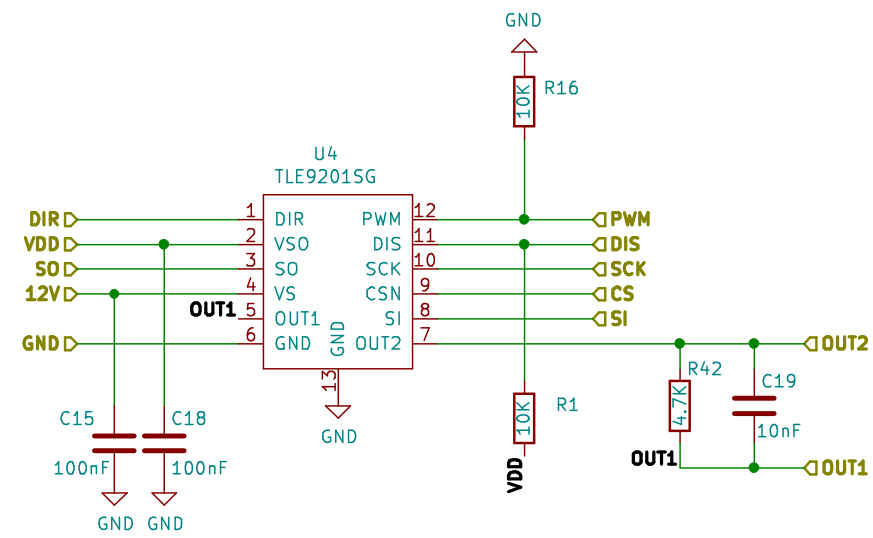


AI60D
Donald Becker
rusEFI.com
Sheet: /hi-lo/
File: hi-lo.sch

Title: microRusEfi-2L

Size: B Date: 2019-12-30
KiCad E.D.A. kicad (5.1.2)-2

Rev: R0.4.7
Id: 2/7



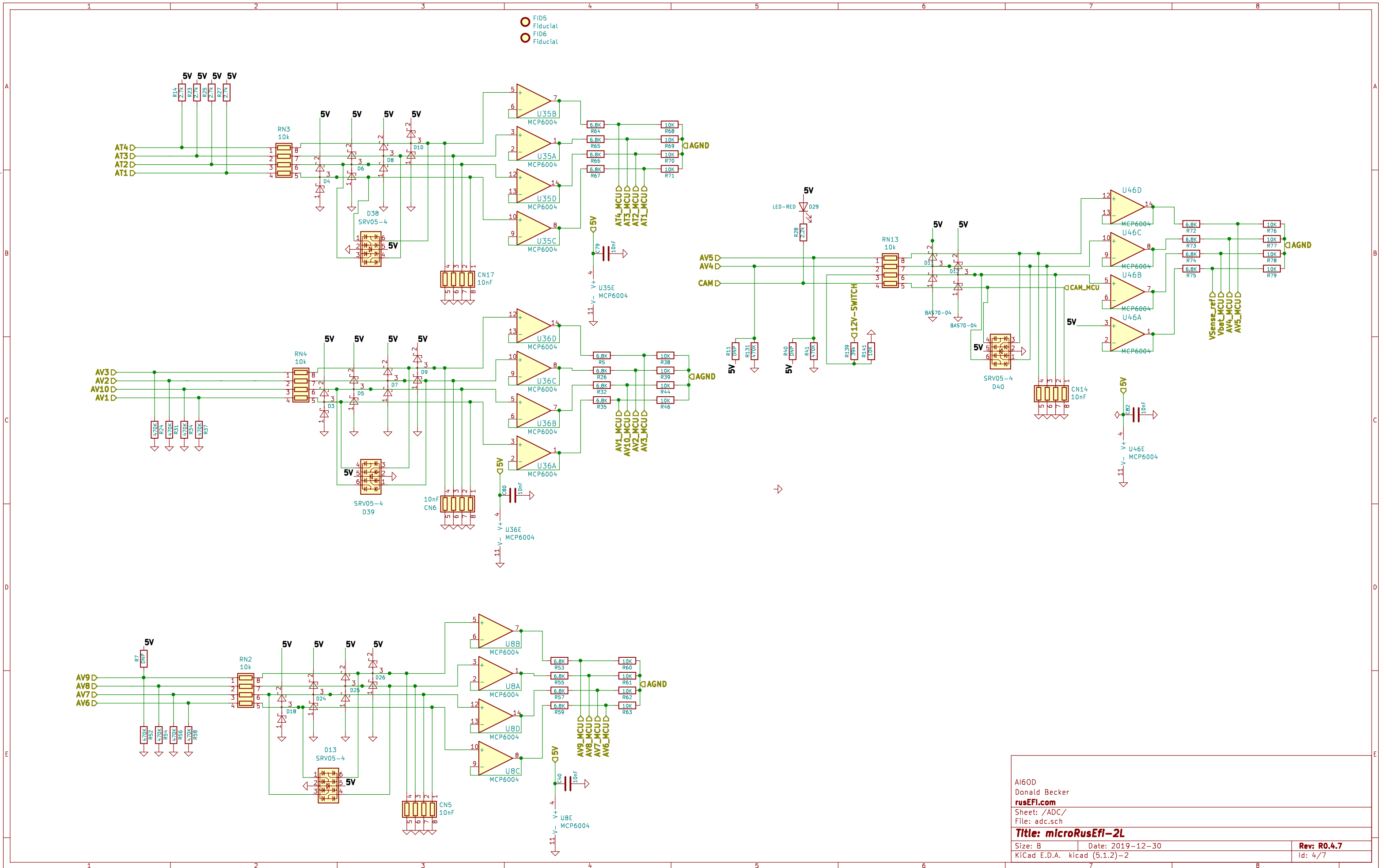
AI60D
 Donald Becker
 rusEFI.com

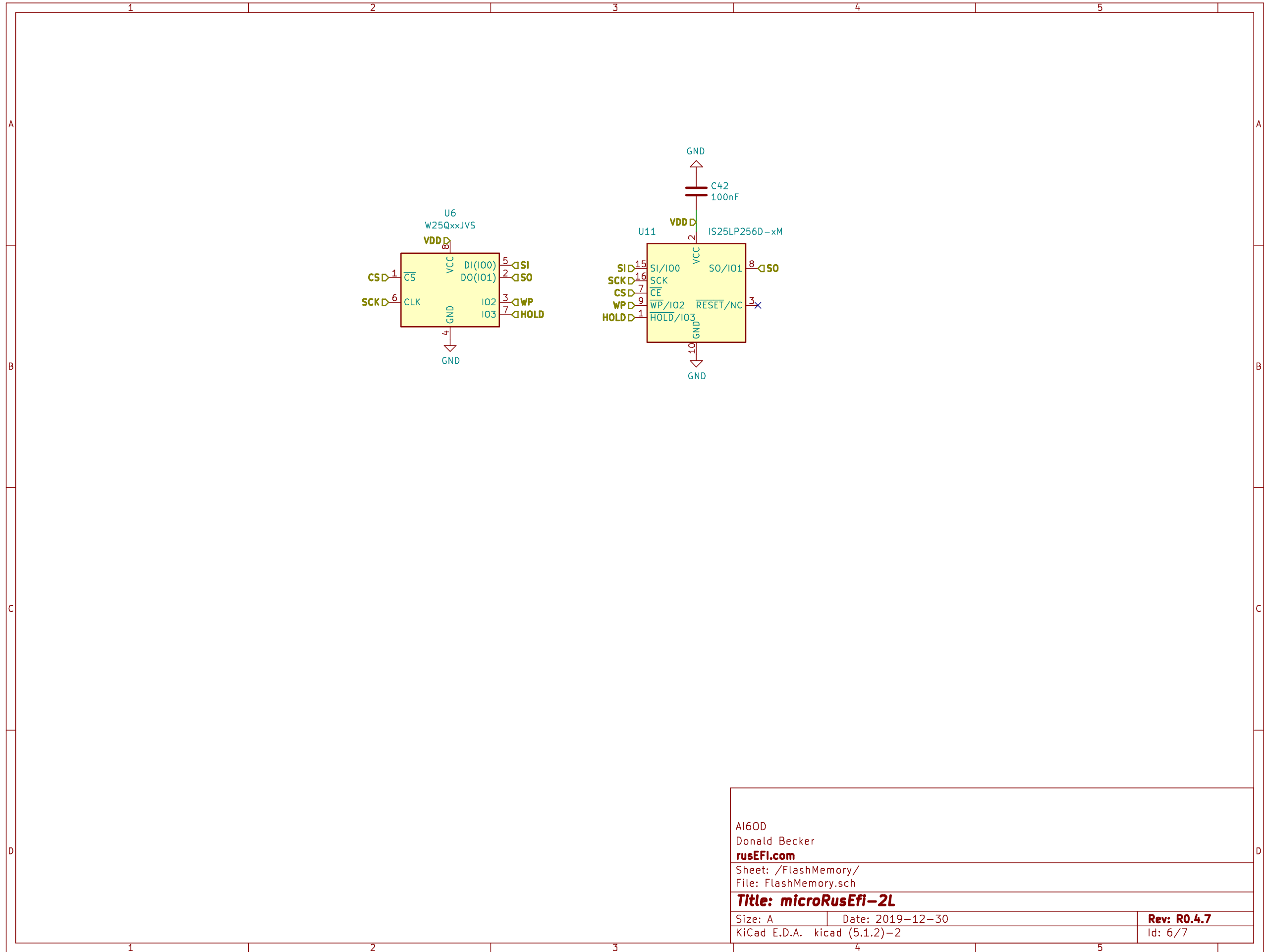
Sheet: /H-BRIDGE/
 File: TLE9201SG.sch

Title: microRusEfi-2L

Size: A Date: 2019-12-30
 KiCad E.D.A. kicad (5.1.2)-2

Rev: R0.4.7
 Id: 3/7





AI60D
 Donald Becker
rusEFI.com

Sheet: /FlashMemory/
 File: FlashMemory.sch

Title: microRusEfi-2L

Size: A	Date: 2019-12-30	Rev: R0.4.7
KiCad E.D.A. kicad (5.1.2)-2		Id: 6/7

