

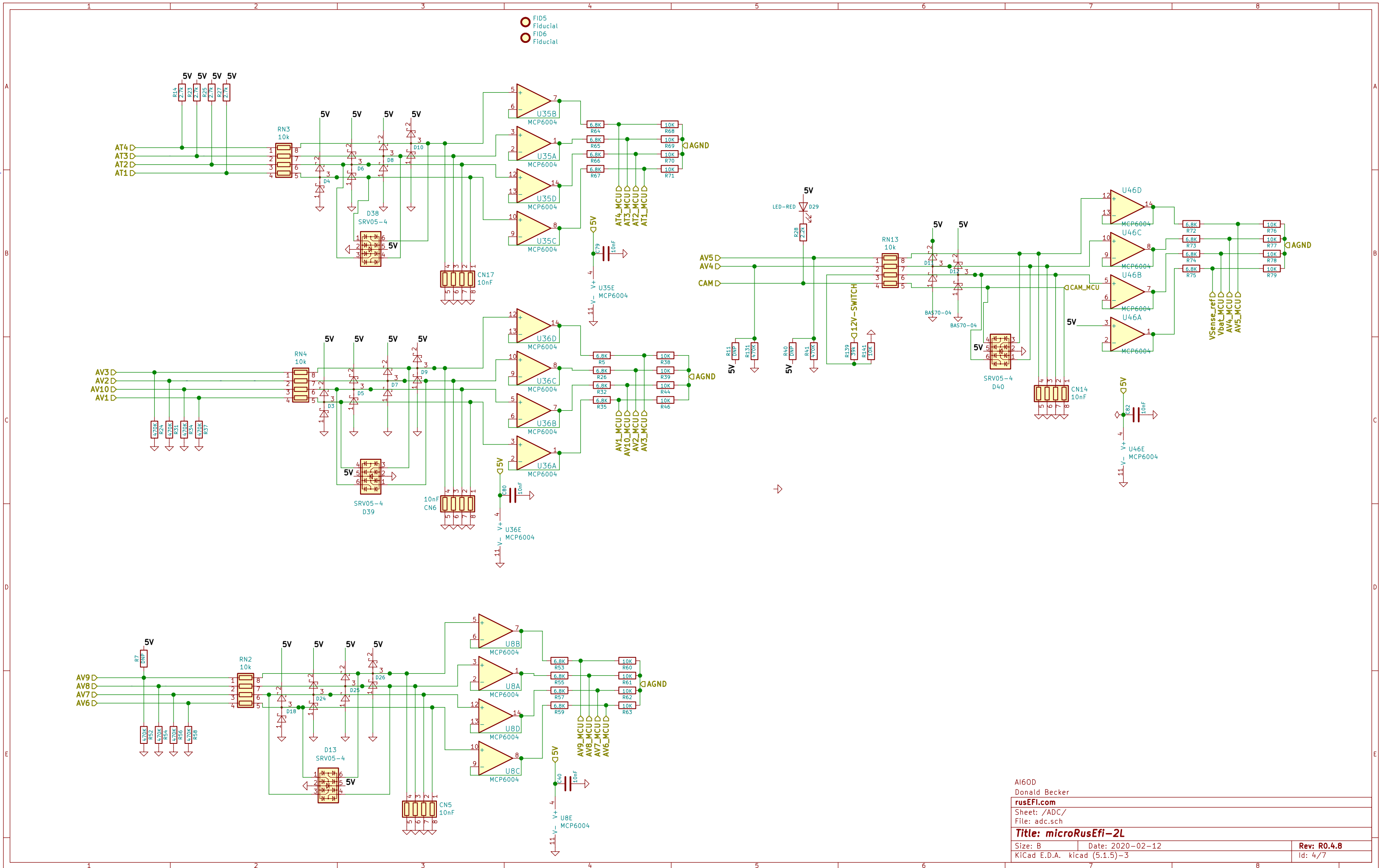
AI60D
 Donald Becker

rusEFI.com
 Sheet: /H-BRIDGE/
 File: TLE9201SG.sch

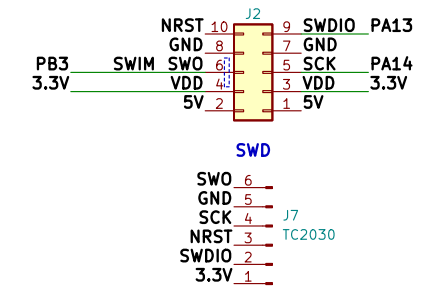
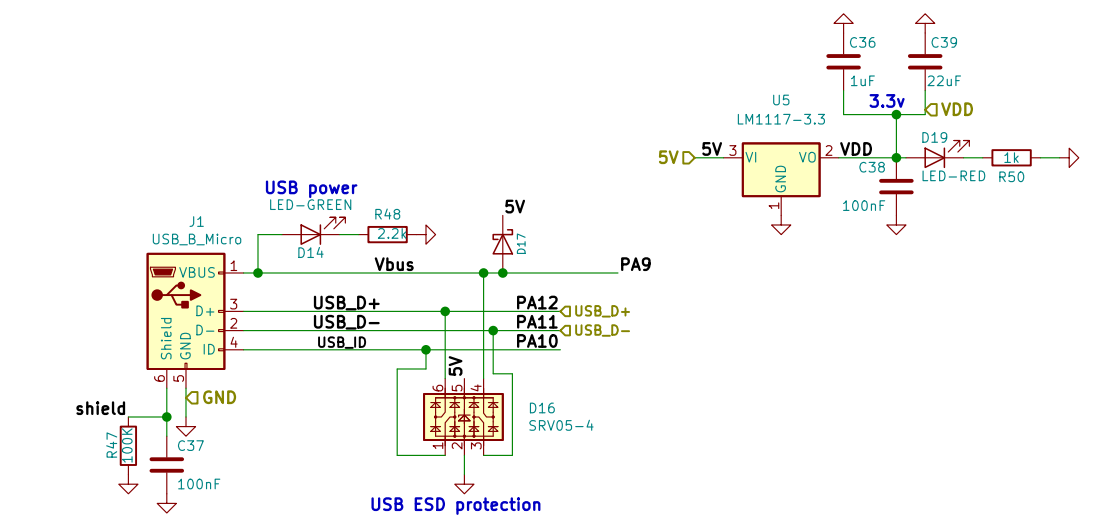
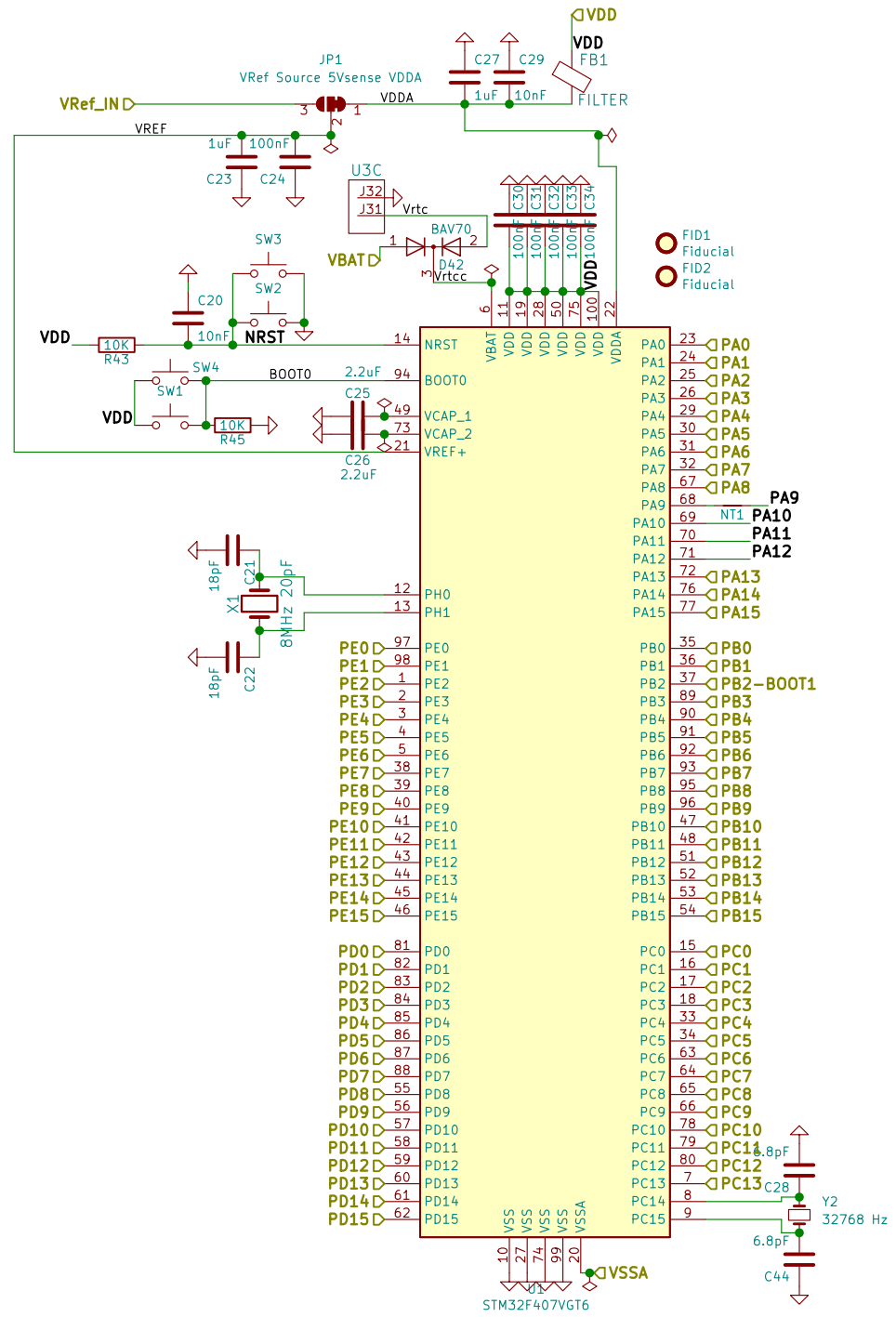
Title: microRusEfi-2L

Size: A Date: 2020-02-12
 KiCad E.D.A. kicad (5.1.5)-3

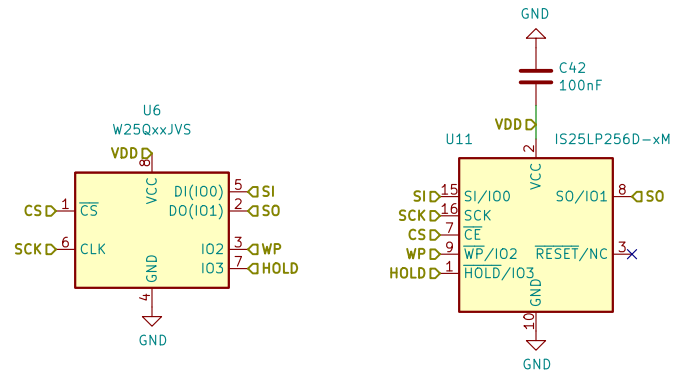
Rev: R0.4.8
 Id: 3/7



○ FID5
○ FID6
○ FIDual



<http://www.crystek.com/documents/appnotes/Pierce-GateIntroduction.pdf>
 PCB per predictions with SaturnPCB has less than 3.5pF traces.
 STM32 pins assumed 5pF
 ESR = 80ohms max???
 Rf = 2meg could be between 1meg and 10meg.
 Cload should be 8pF per XTAL datasheet
 Cload = ((Cin+C1)[C2+Cout])/(Cin+C1+C2.Cout)+PCBstray
 Cload = ((5+4.7)[4.7+5])/(5+4.7+4.7+5)+3.5= 8.35pF
 C1=C2=C166=C167 = 4.7pF
 Rs = 1/(2piFC2) = 1/(2*pi*8MHz*4.7pF) = 4.2ohms.



AI60D
 Donald Becker

rusEFI.com
 Sheet: /FlashMemory/
 File: FlashMemory.sch

Title: microRusEfi-2L

Size: A Date: 2020-02-12
 KiCad E.D.A. kicad (5.1.5)-3

Rev: R0.4.8
 Id: 6/7

