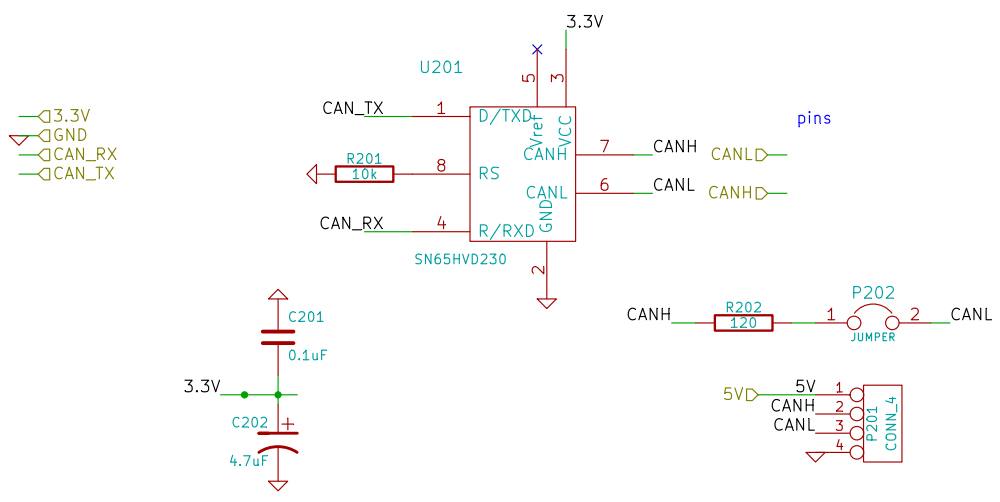


diodes schottky 20V 1A SD0805S020S1R0

Art_Electro v1.2		
Art_Electro		
File: mini48-stm32.sch		
Sheet: /		
<b>Title: Maplemeni fork</b>		
Size: A4	Date: 8 jan 2015	<b>Rev:</b>
KiCad E.D.A. eschema (2013-07-07 BZR 4022)-stable		Id: 1/2



### CAN level shifter

<b>rusEFI.com</b>		
File: can_brd_1.sch		
Sheet: /CAN BUS/		
<b>Title: Frankenso</b>		
Size: A4	Date: 8 jan 2015	<b>Rev: .02</b>
KiCad E.D.A. eeschema (2013-07-07 BZR 4022)-stable		Id: 2/2