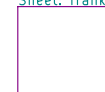


Frankenstein
www.rusefi.com

Sheet: frankenstein_foundation



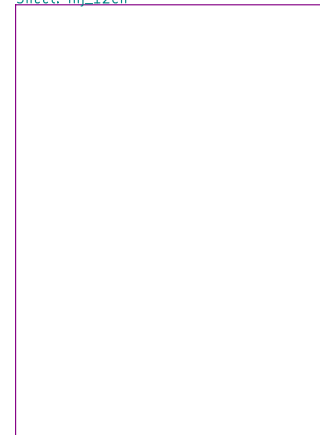
File: frankenstein_foundation.sch

Sheet: adc_amp_divider



File: adc_amp_divider.sch

Sheet: inj_12ch



File: inj_12ch.sch

Sheet: cps_vrs_io_1



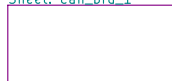
File: cps_vrs_io_1.sch

Sheet: hi_lo



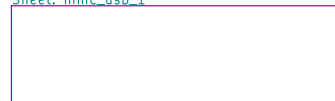
File: hi-lo.sch

Sheet: can_brd_1



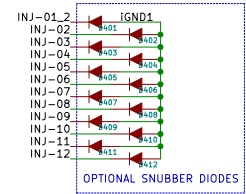
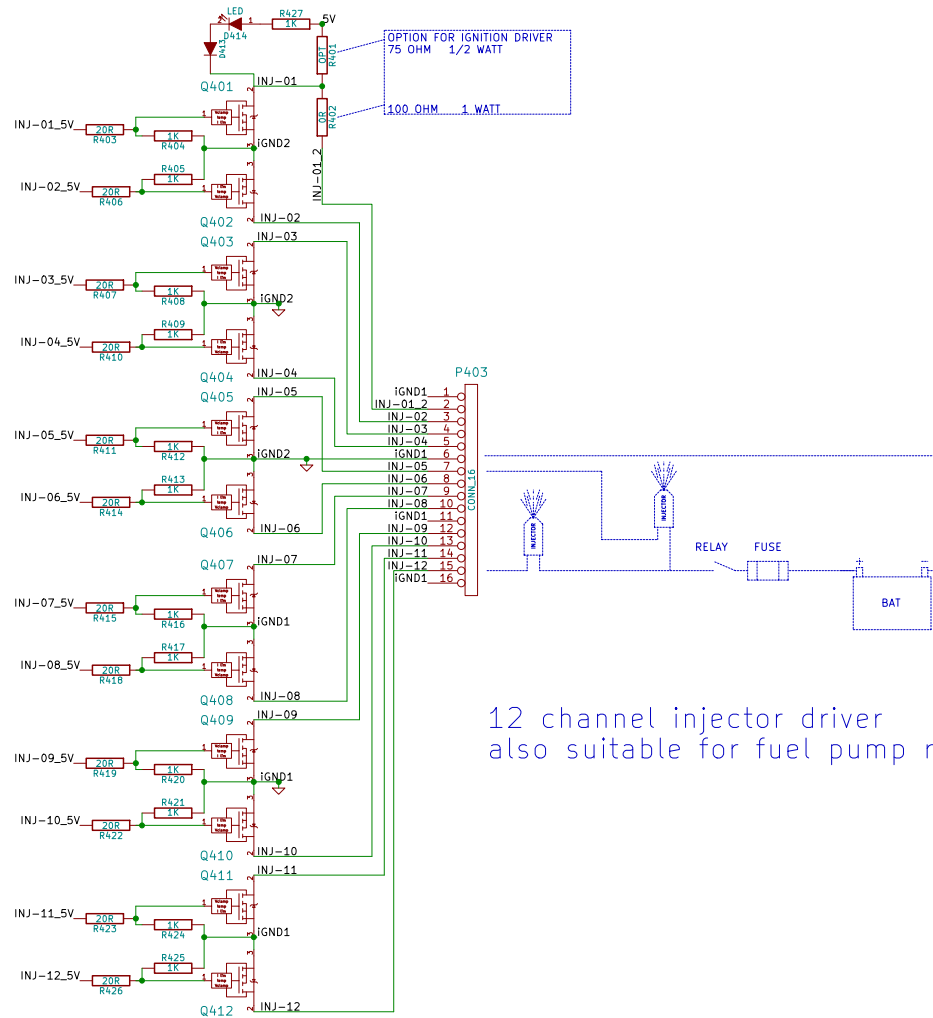
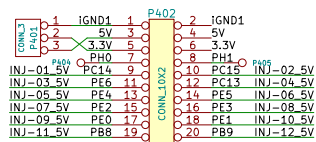
File: can_brd_1.sch

Sheet: mmc_usb_1



File: mmc_usb_1.sch

rusEFI.com		
Sheet: /		
File: frankenstein.sch		
Title:		
Size: A	Date: 2017-12-27	Rev: R0.1.2
KiCad E.D.A.	kicad 4.0.5	Id: 1/8



✕ ○ M401
SCREW VIA

12 channel injector driver
also suitable for fuel pump relay, IAC solenoid etc

MISC NOTES

THE GENERAL SYSTEM LAYOUT IS SHOWN IN BLUE. THIS IS NOT THE SUGGESTED SYSTEM WIRING, IT DOES SHOW THE GENERAL OVERALL CIRCUIT LAYOUT TOPOLOGY.

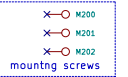
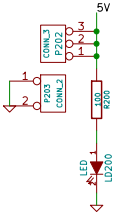
THE PCB WIRING IS SHOWN IN RED, GREEN WITH A BLUE BUSH.

Screw terminals 1760500000

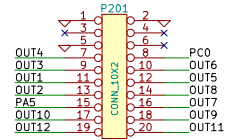
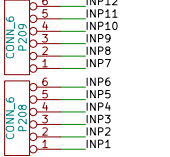
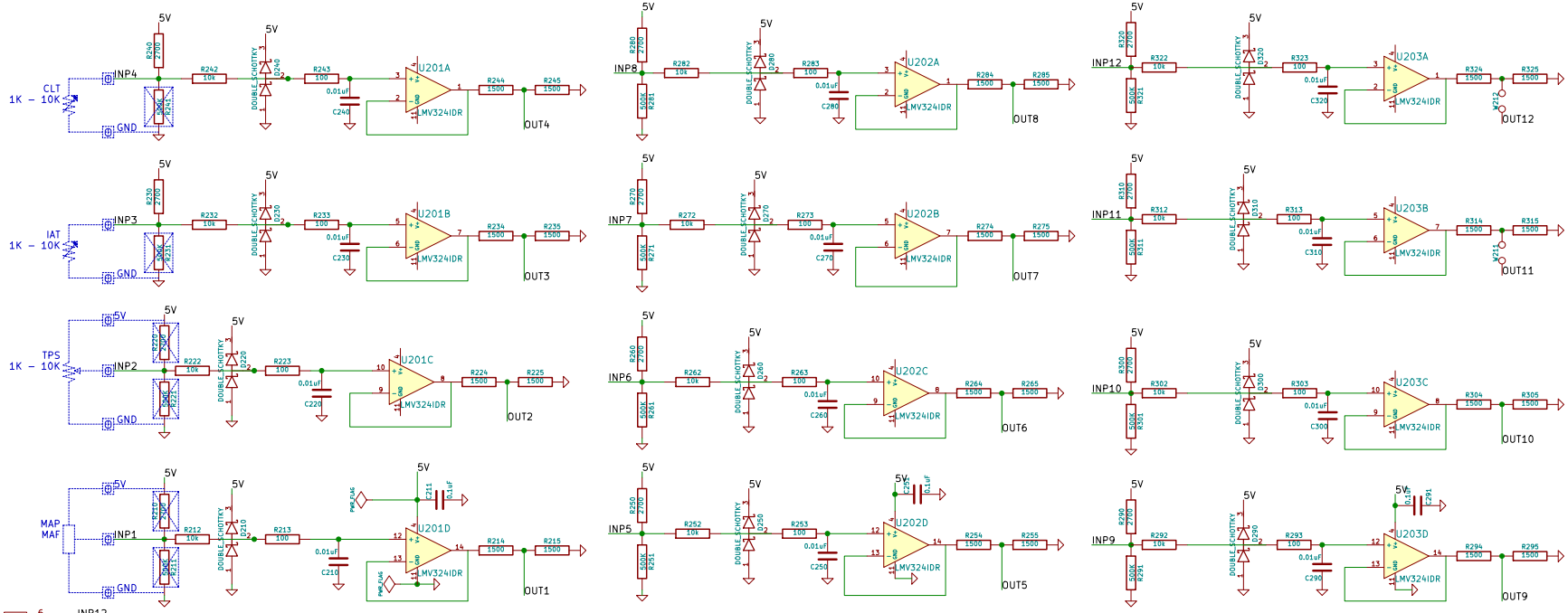
Screw connector PCB <http://octopart.com/39522-1007-molex-655409>

Screw connector harness <http://octopart.com/partsearch#search/requestData&q=39520-0007>

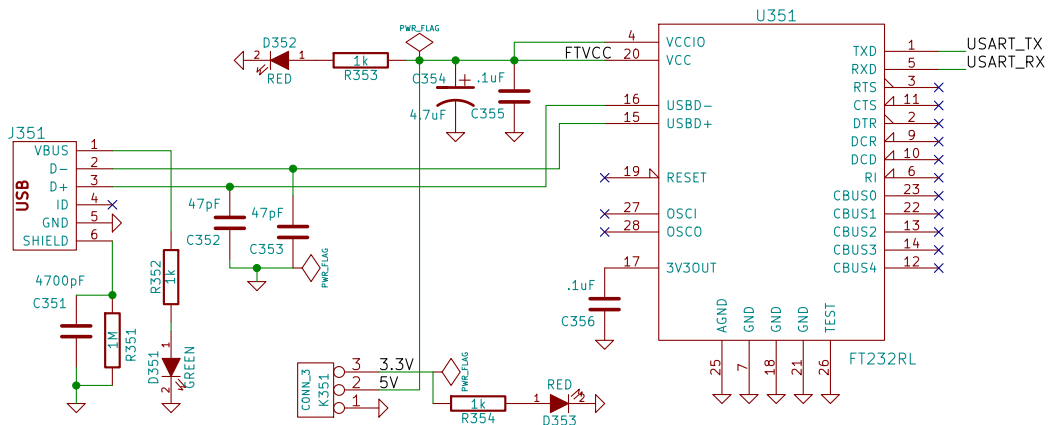
http://code.google.com/p/daecu/		
Sheet: /inj_12ch/		
Files: inj_12ch.sch		
Title: 12 Channel Injector		
Size: B	Date: 8 feb 2014	Rev: A-1
KiCad E.D.A. kicad 4.0.5		Id: 2/8



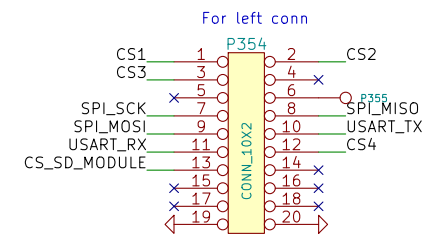
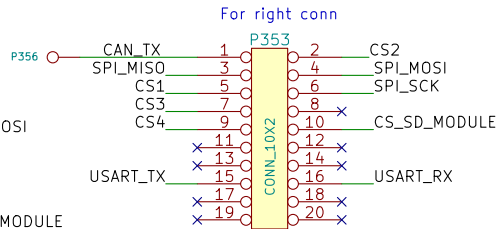
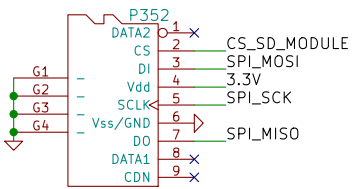
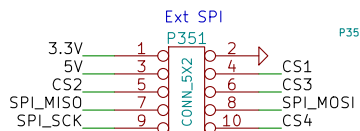
SUGGESTED ENGINE WIRING IN BLUE



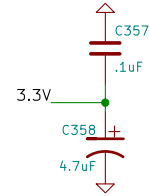
RUSEFI.com
 Sheet: /adc_amp_divider/
 File: adc_amp_divider.sch
Title: Anlgo Protection board for RUSEFI.com
 Size: B Date: 8 feb 2014 Rev: A-01
 KiCad E.D.A. kicad 4.0.5 Id: 3/8



X O M351
 X O M352

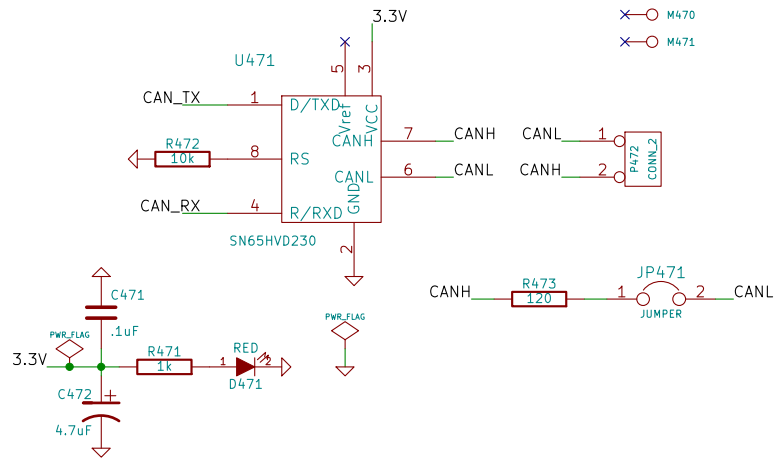
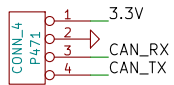


SD card slot
USB TTL module



Art_Electro
Art_Electro
Art_Electro

Sheet: /mmc_usb_1/ File: mmc_usb_1.sch	
Title:	
Size: A4	Date: 8 feb 2014
KiCad E.D.A. kicad 4.0.5	Rev: Id: 4/8



X-O M470
 X-O M471



CAN level shifter

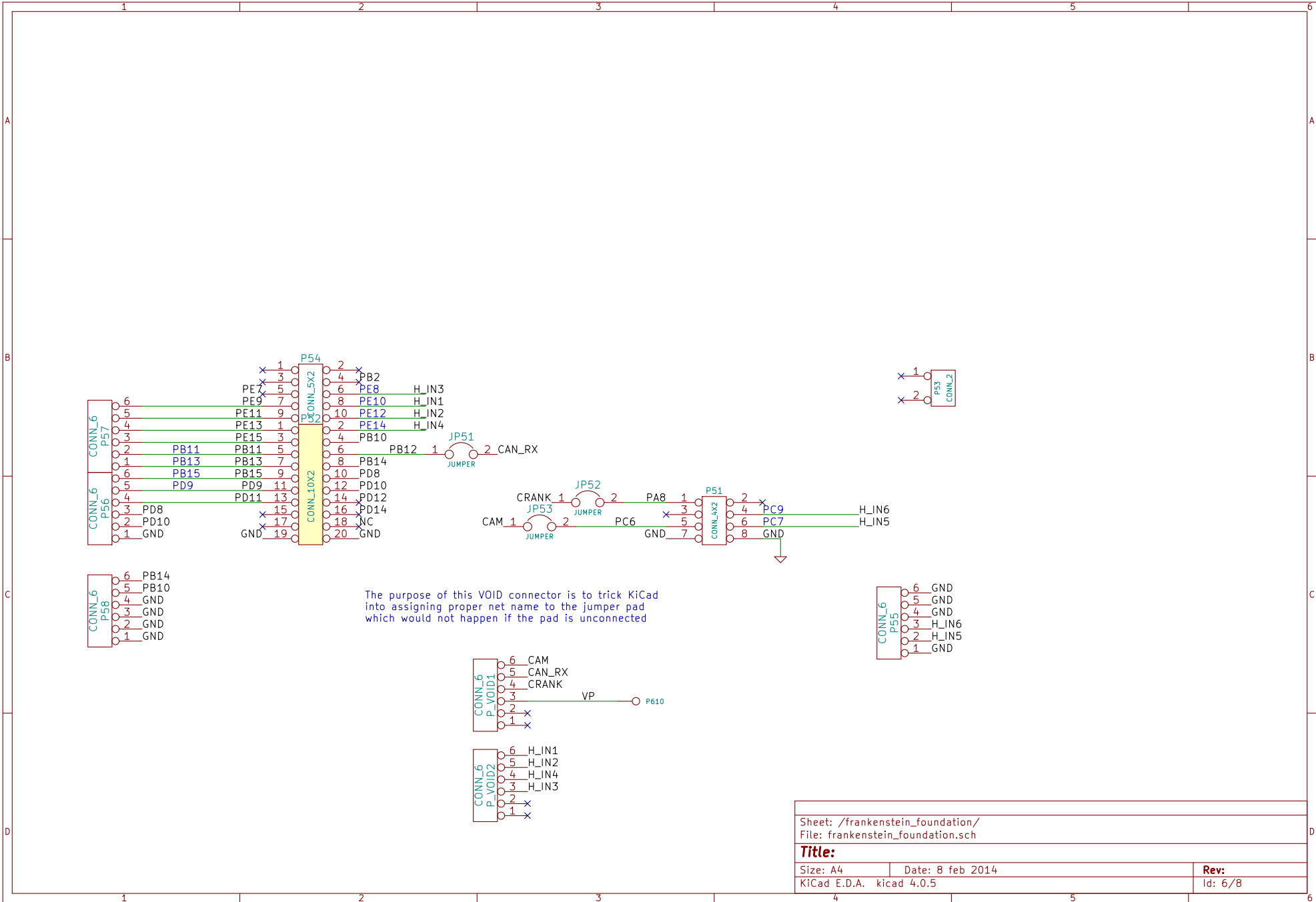
Art_Electro
 Art_Electro
 Art_Electro

Sheet: /can_brd_1/
 File: can_brd_1.sch

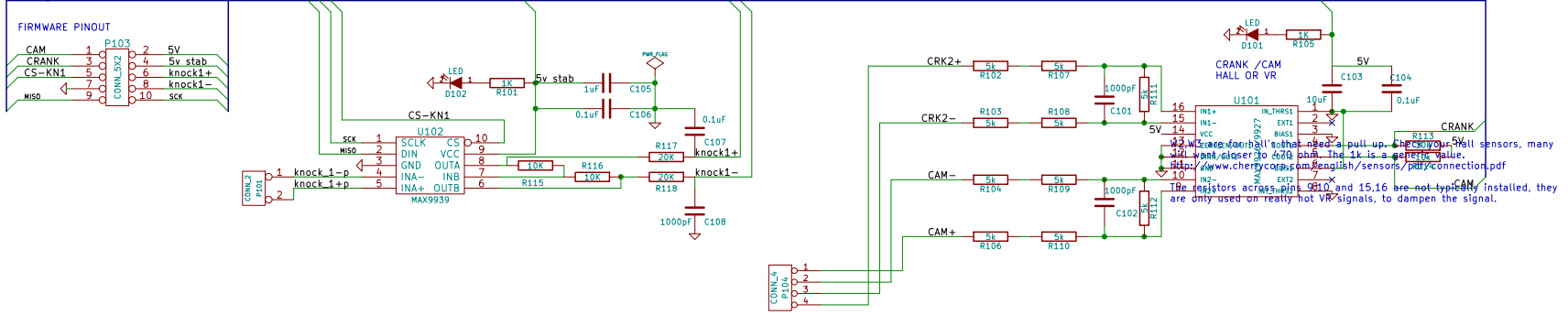
Title:

Size: A4 Date: 8 feb 2014
 KiCad E.D.A. kicad 4.0.5

Rev:
 Id: 5/8



Sheet: /frankenstein_foundation/		Date: 8 feb 2014	
File: frankenstein_foundation.sch		Rev:	
Size: A4	KiCad E.D.A. kicad 4.0.5	Id: 6/8	



CRANK / CAM HALL OR VR
 CRANK
 CAM
 The resistors across pins 10 and 15, 16 are not typically installed, they are only used on really hot VR signals, to dampen the signal.



6 channel high-side driver

