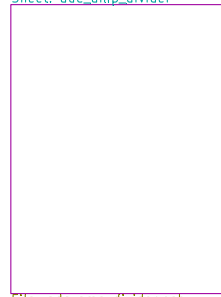


Frankenstein
www.rusefi.com

Sheet: adc_amp_divider



File: adc_amp_divider.sch

Sheet: inj_12ch



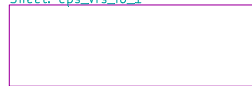
File: inj_12ch.sch

Sheet: frankenstein_foundation



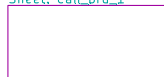
File: frankenstein_foundation.sch

Sheet: cps_vrs_io_1



File: cps_vrs_io_1.sch

Sheet: can_brd_1



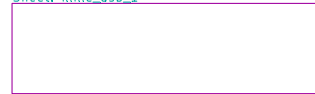
File: can_brd_1.sch

Sheet: hi-lo



File: hi-lo.sch

Sheet: mmc_usb_1



File: mmc_usb_1.sch

File: frankenstein.sch

Sheet: /

Title:

Size: A4

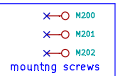
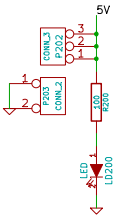
Date: 8 feb 2014

Rev:

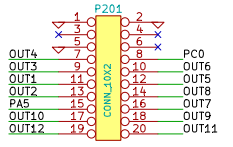
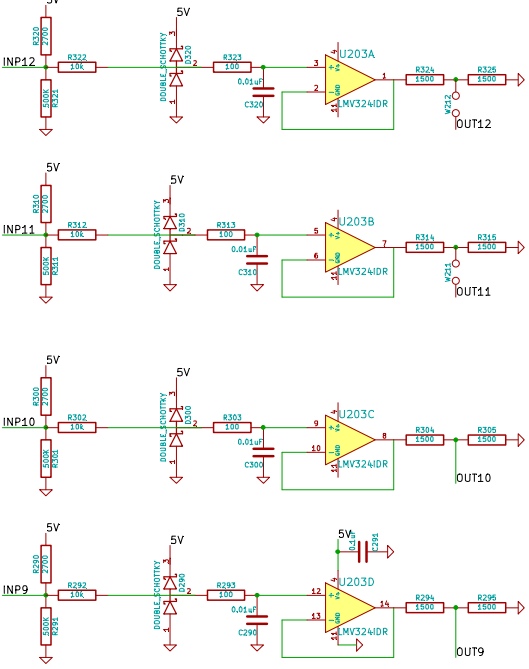
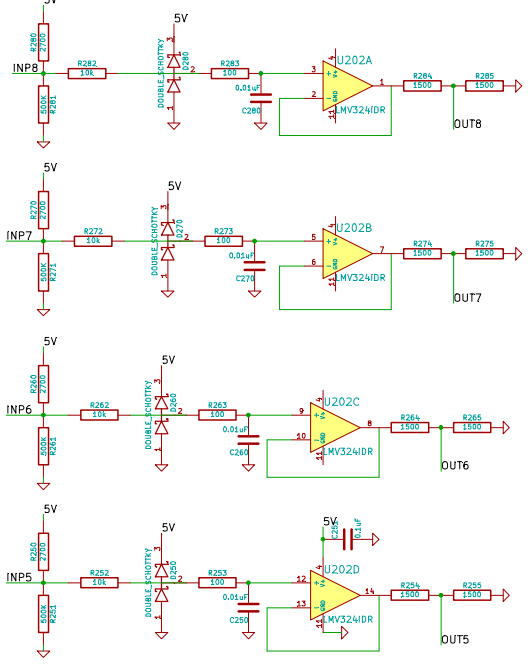
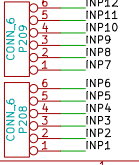
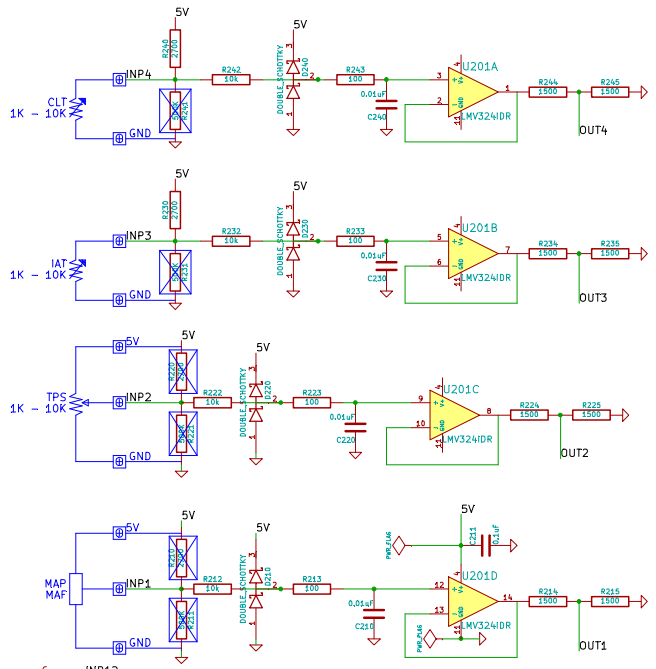
KiCad E.D.A. eeschema (2013-07-07 BZR 4022)-stable

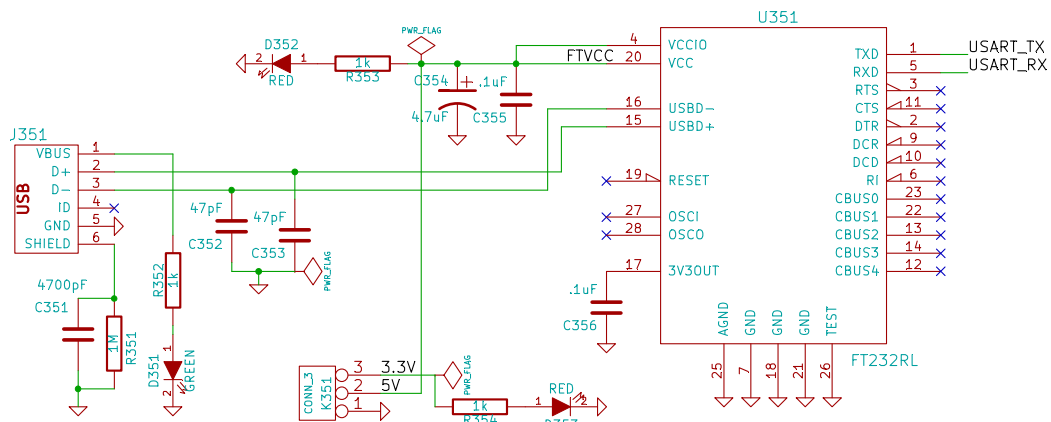
Id: 1/8

EFT

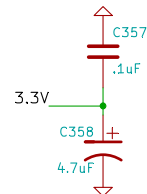
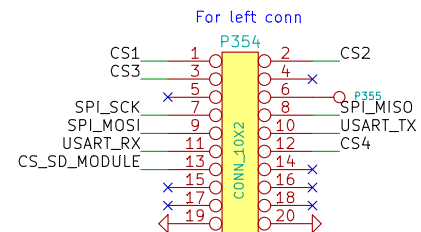
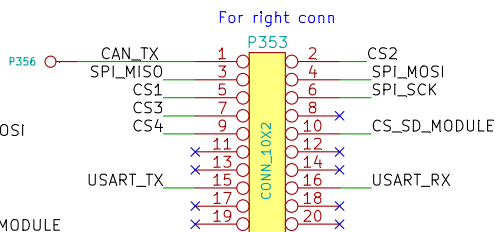
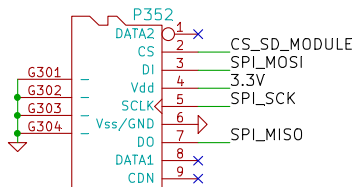
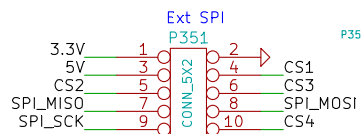


SUGGESTED ENGINE WIRING IN BLUE



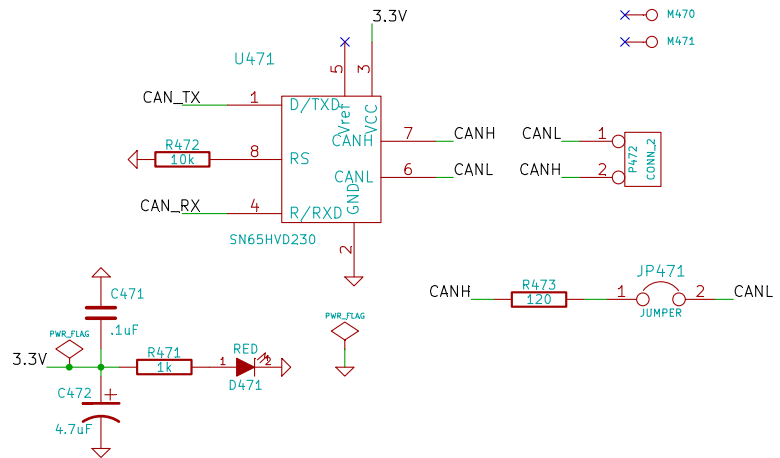
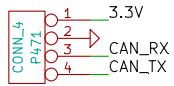


X O M351
 X O M352



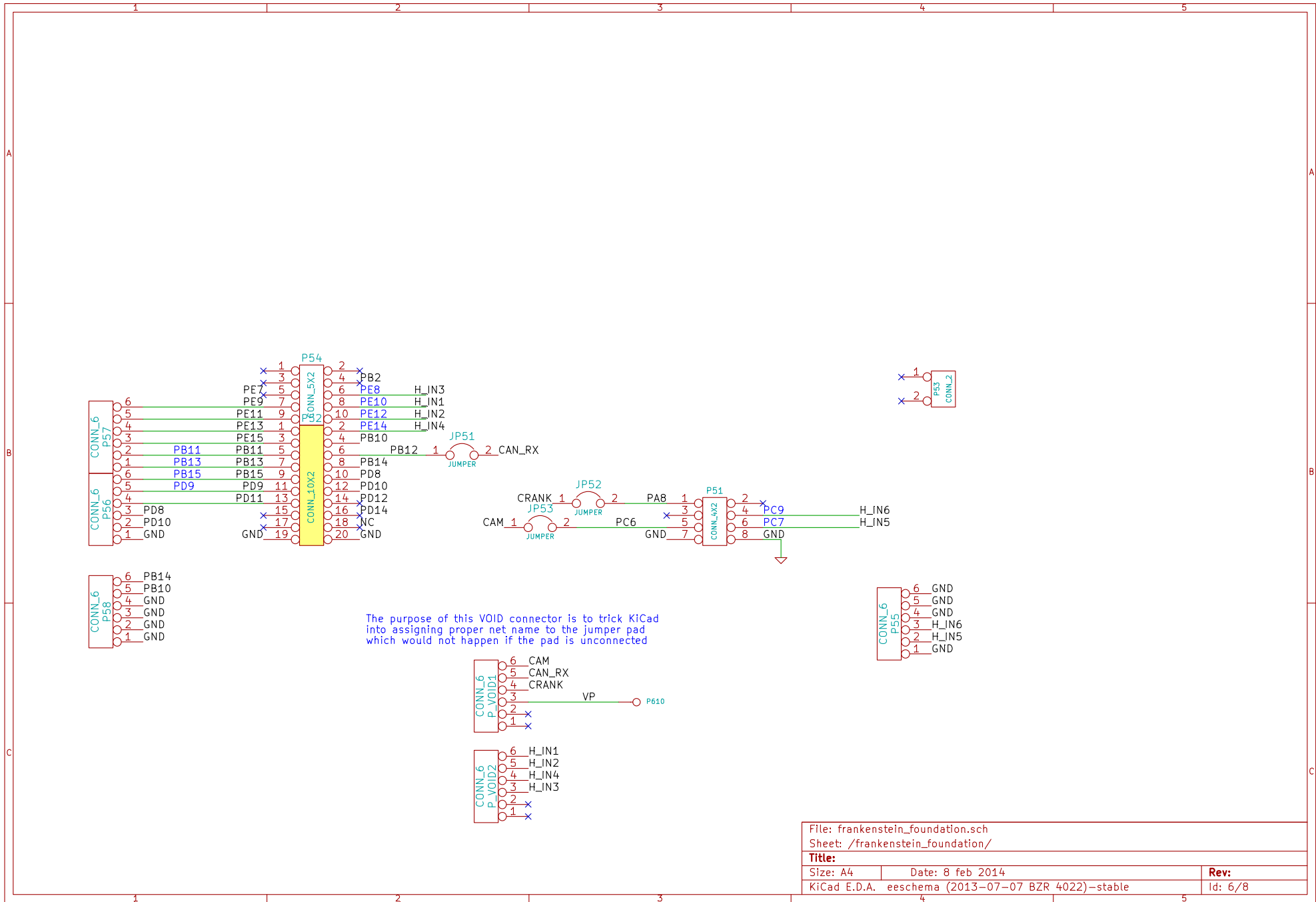
SD card slot
USB TTL module

Art_Electro		
Art_Electro		
Art_Electro		
File: mmc_usb_1.sch		
Sheet: /mmc_usb_1/		
Title:		
Size: A4	Date: 8 feb 2014	Rev:
KiCad E.D.A. eeschema (2013-07-07 BZR 4022)-stable		Id: 4/8

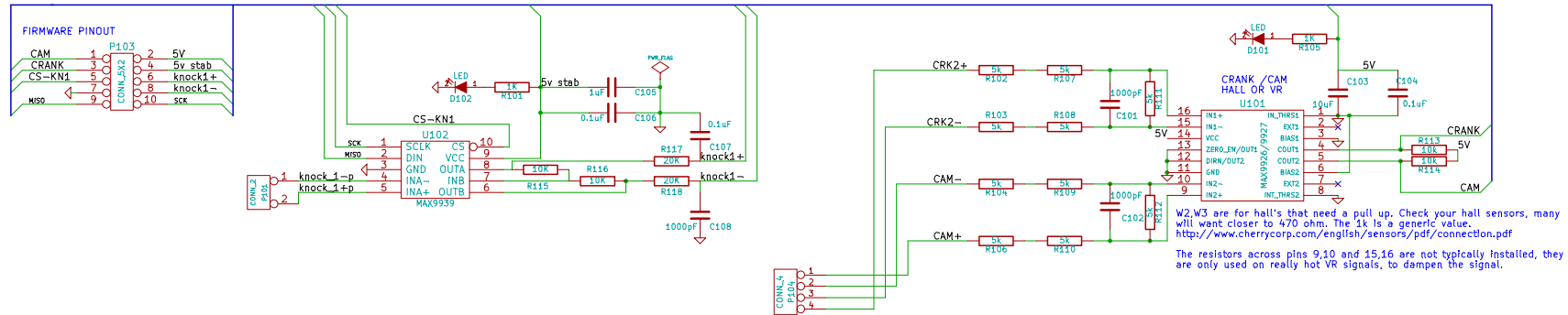


CAN level shifter

Art_Electro		Art_Electro		Art_Electro	
File: can_brd_1.sch					
Sheet: /can_brd_1/					
Title:					
Size: A4		Date: 8 feb 2014		Rev:	
KiCad E.D.A. eeschema (2013-07-07 BZR 4022)-stable				Id: 5/8	



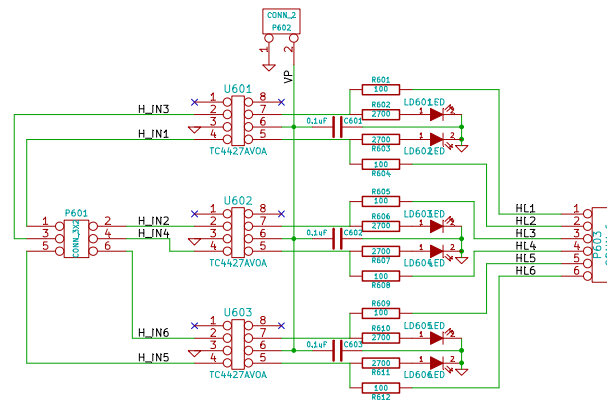
File: frankenstein_foundation.sch		
Sheet: /frankenstein_foundation/		
Title:		
Size: A4	Date: 8 feb 2014	Rev:
KiCad E.D.A. eeschema (2013-07-07 BZR 4022)-stable		Id: 6/8



ETI

Art_Electro		
Art_Electro		
Art_Electro		
cps_vrs Jo_1		
based on http://code.google.com/p/daecu/		
File: cps_vrs Jo_1.sch		
Sheet: /cps_vrs Jo_1/		
Title: cps_vrs Jo_1		
Size: B	Date: 8 feb 2014	Rev:
KiCad E.D.A.	eeschema (2013-07-07 B2R 4022)-stable	Id: 7/8

6 channel high-side driver



RUSEFI.com		
File: hl-1a.sch		
Sheet: /hl-1a/		
Title: High or Low side driver board for RUSEFI.com		
Size: B	Date: 8 feb 2014	Rev: A--01
KiCad E.D.A.	eeschema (2013-07-07 BZR 4022)-stable	Id: 8/8