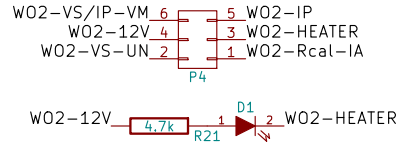
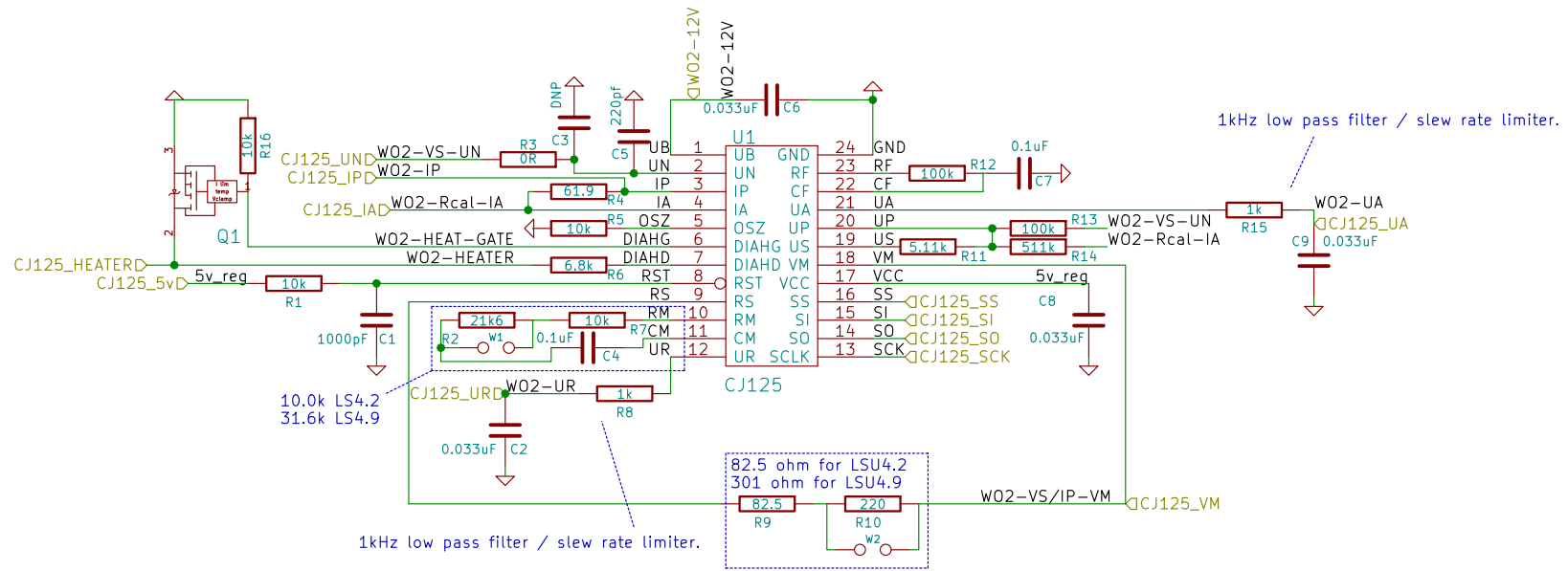
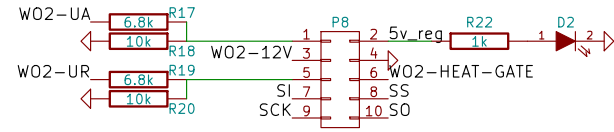


Default 3.3V max ADC input  
 For 5V ADC input R17, R19 = 0R  
 then R18, R20 DNP

LSU4.9 OR 4.2 SENSOR



MCU signals



rusEFI.com	
Sheet: /	
File: O2_input_CJ125.sch	
<b>Title: CJ125 Wide O2</b>	
Size: A	Date: 2018-11-15
KiCad E.D.A. kicad 4.0.5	Rev: R0.4.1
	Id: 1/1

