

Power Supply  
power\_supply.sch

Interface  
interface.sch

Actuators  
actuators.sch

Analog Inputs  
analog\_inputs.sch

Injectors  
injectors.sch

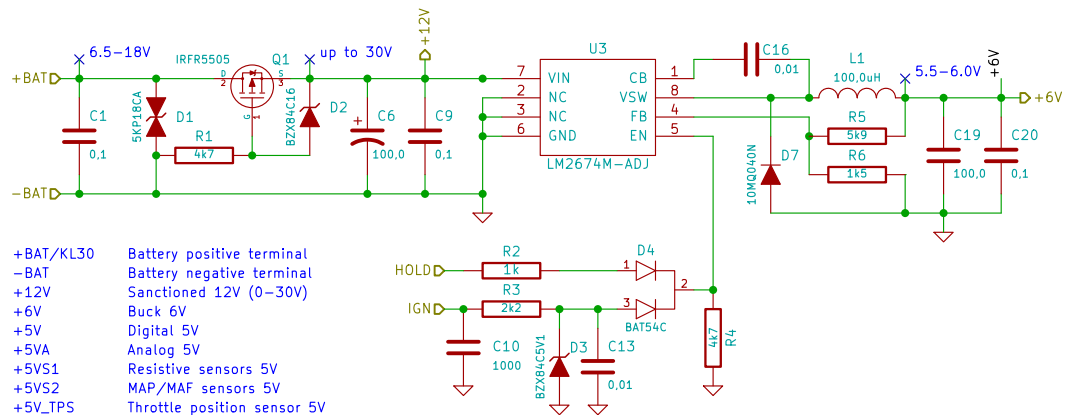
Knock  
knock.sch

Digital Inputs  
digital\_inputs.sch

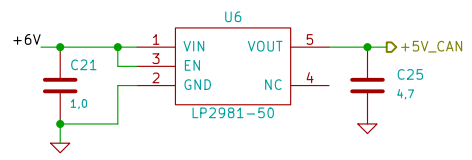
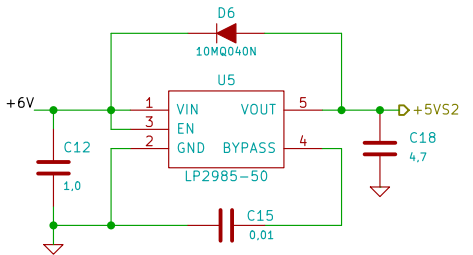
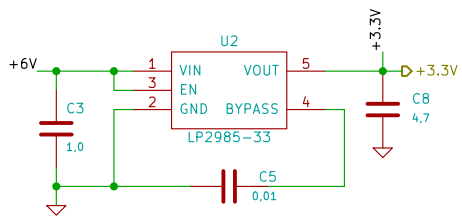
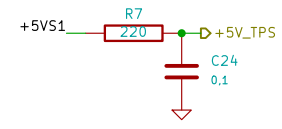
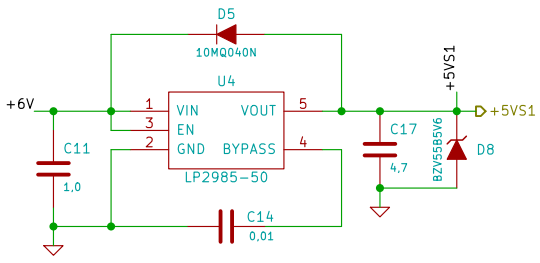
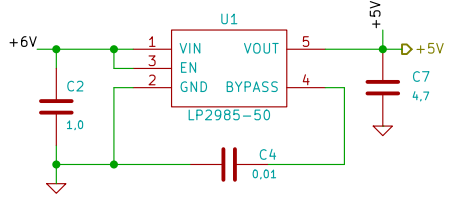
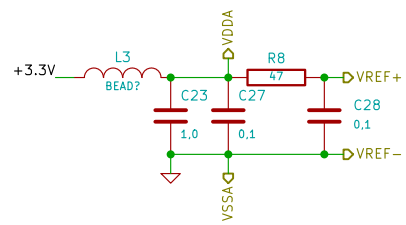
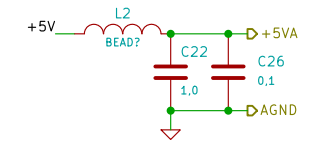
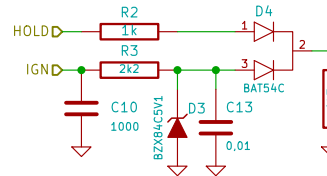
Triggers  
triggers.sch

H-Bridge  
h\_bridge.sch

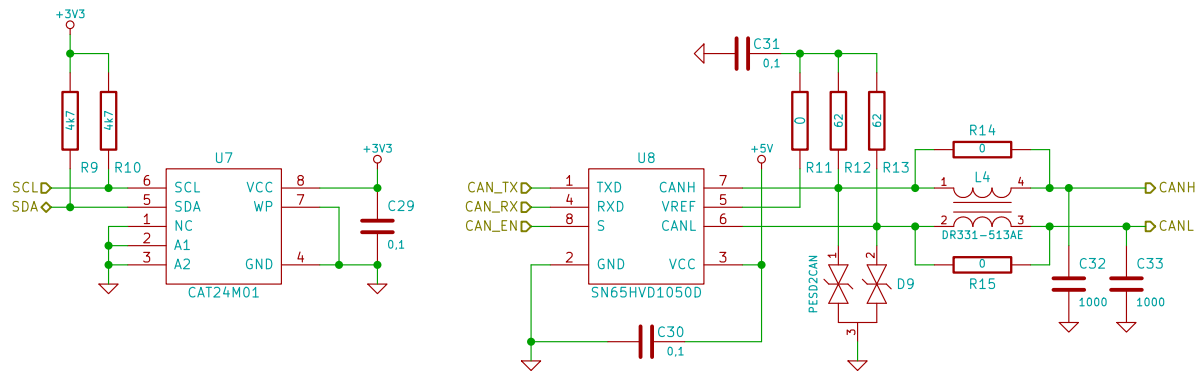
Sergey Fedotov <sergey89@gmail.com>		
File: openecu.sch		
Sheet: /		
Title: ECU / Open Hardware		
Size: A4	Date: 24 feb 2014	Rev: 0.1
KiCad E.D.A.		Id: 1/10



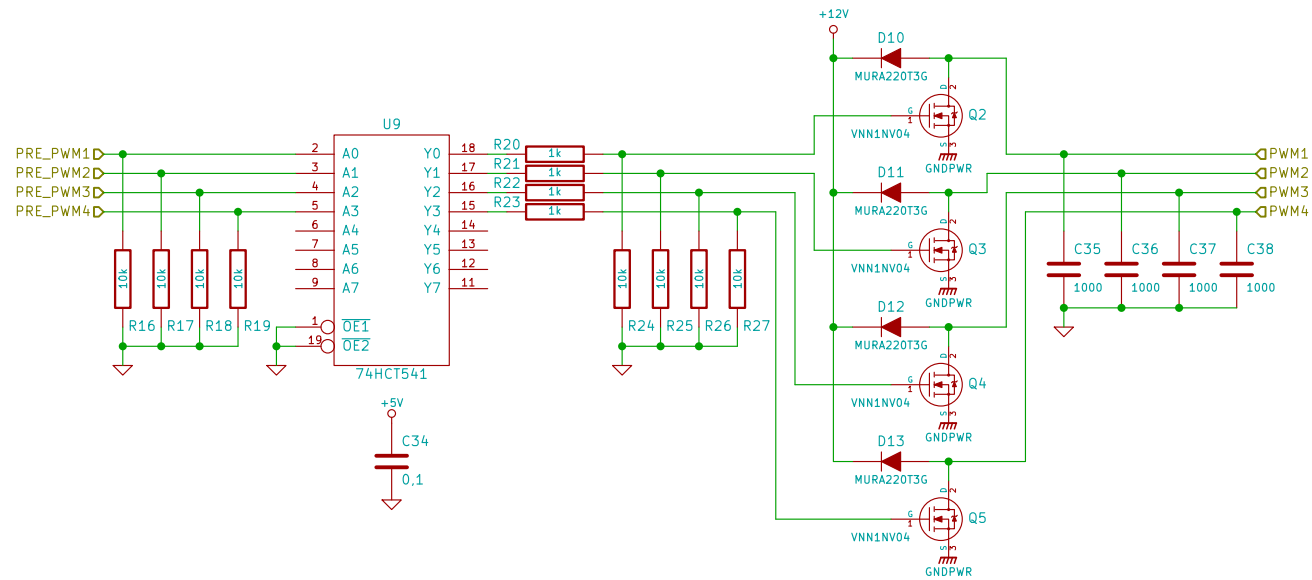
- +BAT/KL30 Battery positive terminal
- BAT Battery negative terminal
- +12V Sanctioned 12V (0-30V)
- +6V Buck 6V
- +5V Digital 5V
- +5VA Analog 5V
- +5VS1 Resistive sensors 5V
- +5VS2 MAP/MAF sensors 5V
- +5V\_TPS Throttle position sensor 5V
- +5V\_CAN CAN transceiver 5V
- +3.3V Digital 3.3V
- VDDA Analog 3.3V
- VREF+ Reference 3.3V
- IGN/KL15 Ignition switch
- HOLD Power supply hold



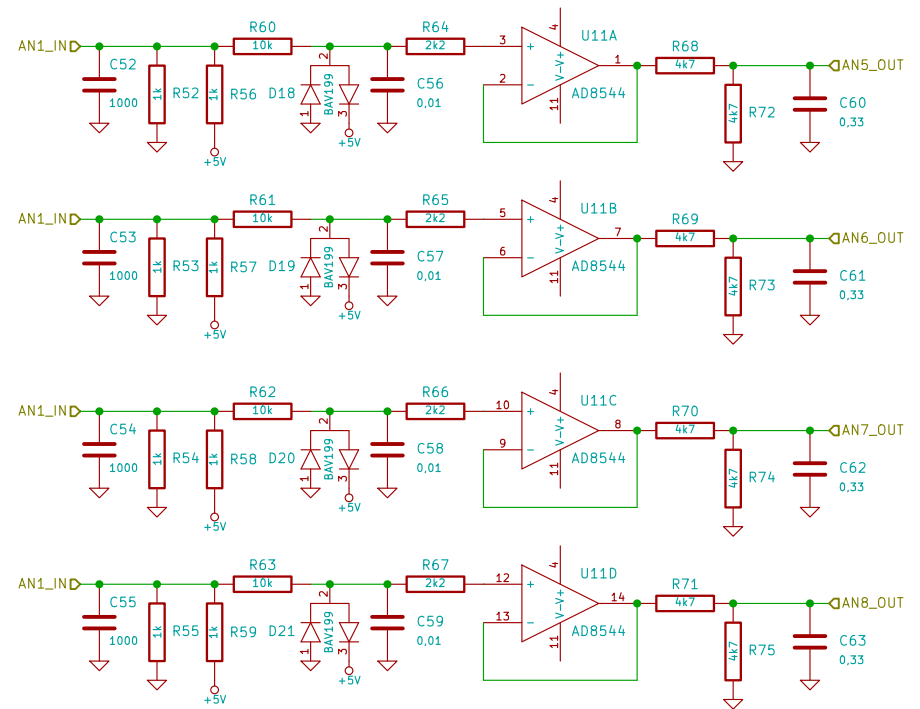
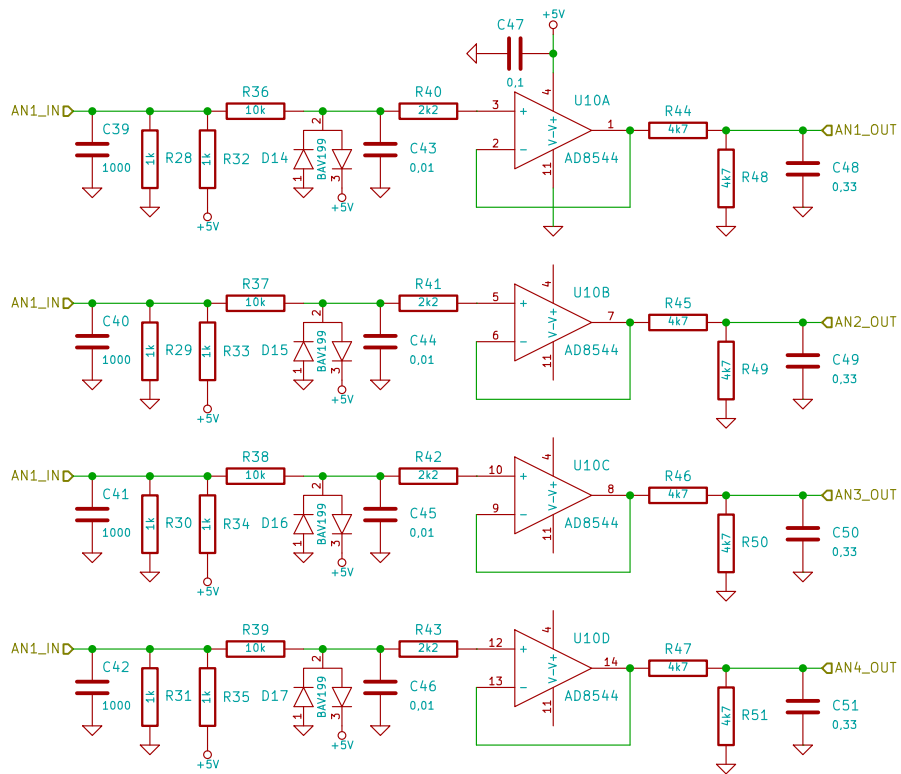
Sergey Fedotov <sergey89@gmail.com>		
File: power_supply.sch		
Sheet: /Power Supply/		
Title: ECU / Open Hardware		
Size: A4	Date: 24 feb 2014	Rev: 0.1
KiCad E.D.A.		Id: 2/10



Sergey Fedotov <sergey89@gmail.com>	
File: interface.sch	
Sheet: /Interface/	
Title: ECU / Open Hardware	
Size: A4	Date: 24 feb 2014
KiCad E.D.A.	Rev: 0.1
	Id: 3/10



Sergey Fedotov <sergey89@gmail.com>	
File: actuators.sch	
Sheet: /Actuators/	
Title: ECU / Open Hardware	
Size: A4	Date: 24 feb 2014
KiCad E.D.A.	Rev: 0.1
	Id: 4/10



Sergey Fedotov <sergey89@gmail.com>

File: analog\_inputs.sch

Sheet: /Analog Inputs/

Title: ECU / Open Hardware

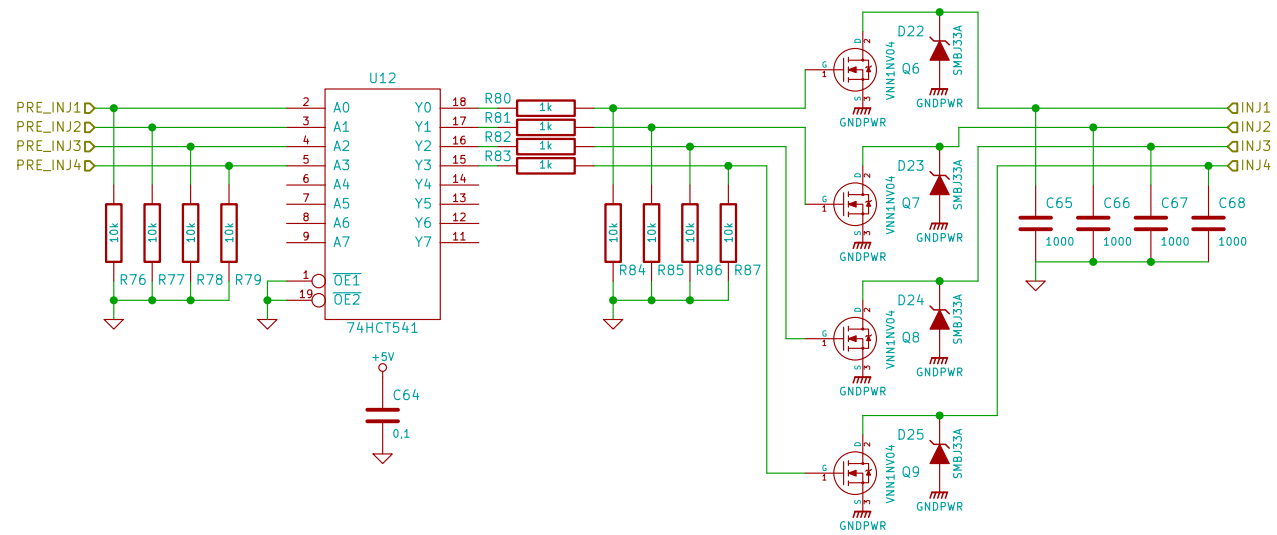
Size: A4

Date: 24 feb 2014

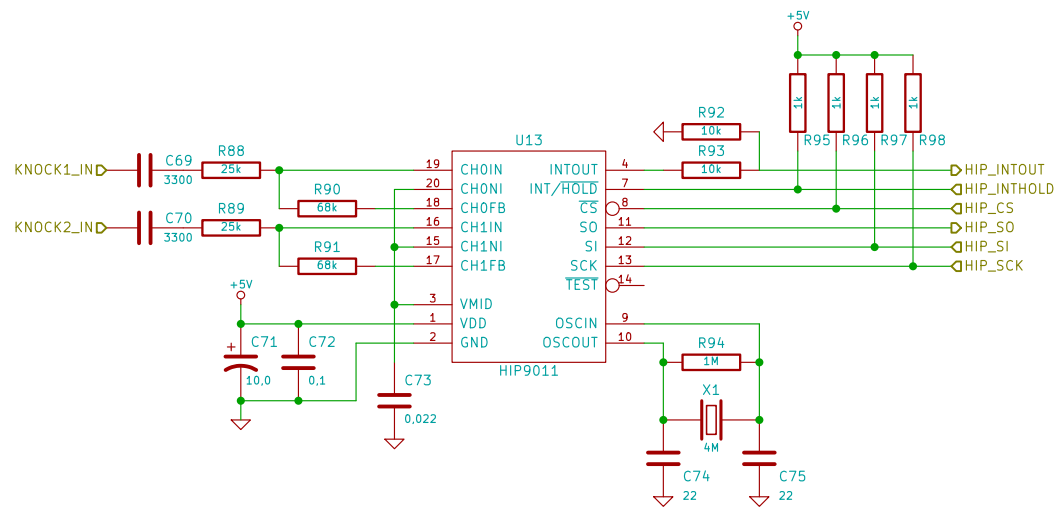
Rev: 0.1

KiCad E.D.A.

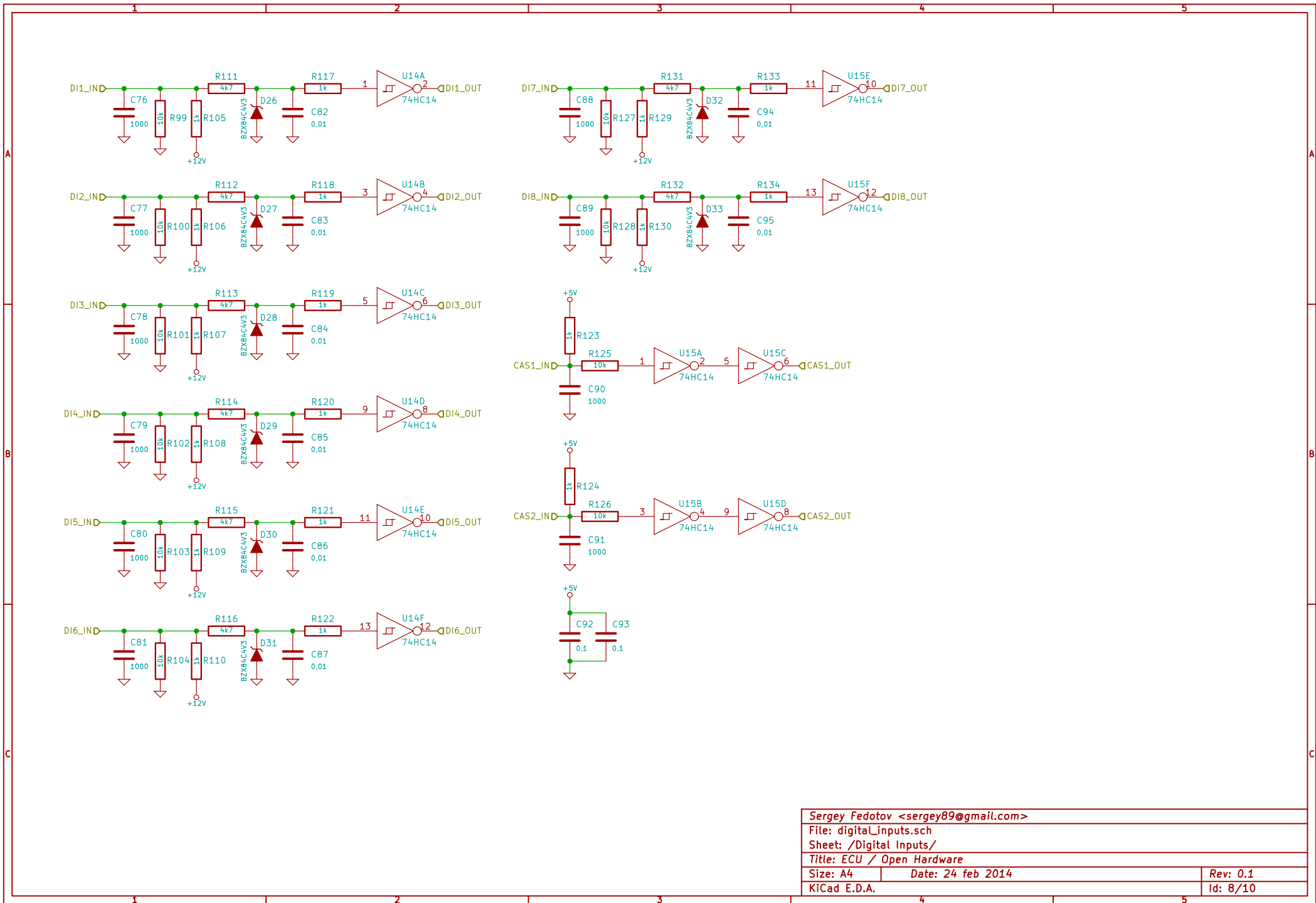
Id: 5/10



Sergey Fedotov <sergey89@gmail.com>	
File: injectors.sch	
Sheet: /Injectors/	
Title: ECU / Open Hardware	
Size: A4	Date: 24 feb 2014
KiCad E.D.A.	Rev: 0.1
	Id: 6/10

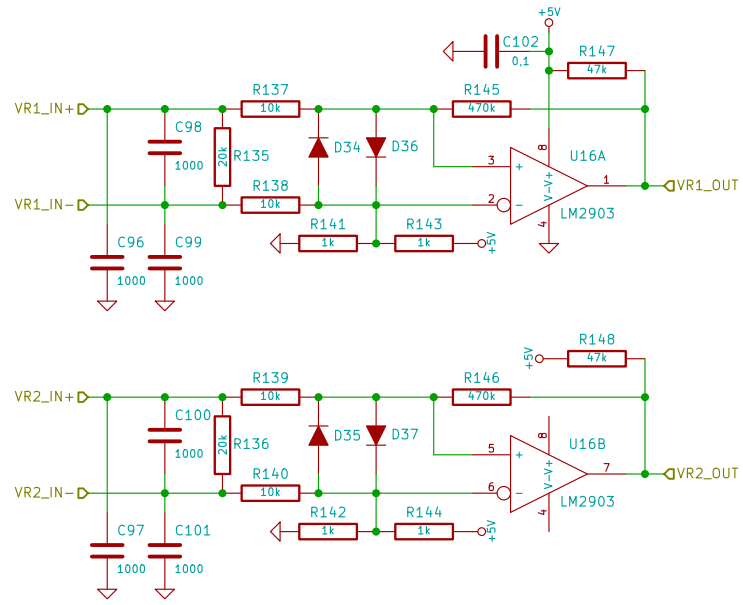


Sergey Fedotov <sergey89@gmail.com>	
File: knock.sch	
Sheet: /Knock/	
Title: ECU / Open Hardware	
Size: A4	Date: 24 feb 2014
KiCad E.D.A.	Rev: 0.1
	Id: 7/10

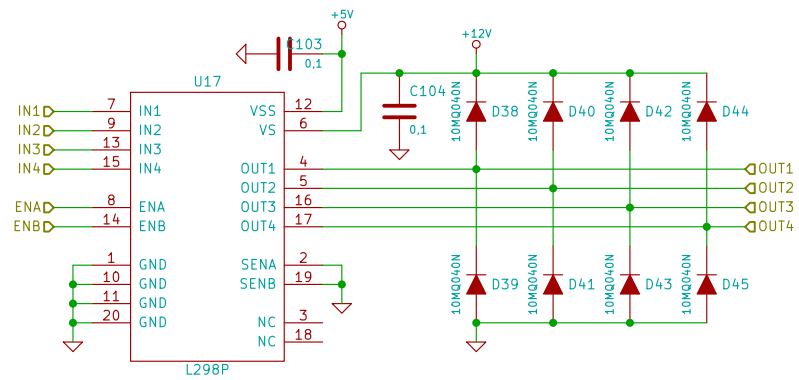


Sergey Fedotov <sergey89@gmail.com>		
File: digitalInputs.sch		
Sheet: /Digital Inputs/		
Title: ECU / Open Hardware		
Size: A4	Date: 24 feb 2014	Rev: 0.1
KiCad E.D.A.		Id: 8/10





Sergey Fedotov <sergey89@gmail.com>	
File: triggers.sch	
Sheet: /Triggers/	
Title: ECU / Open Hardware	
Size: A4	Date: 24 feb 2014
KiCad E.D.A.	Rev: 0.1
	Id: 9/10



Sergey Fedotov <sergey89@gmail.com>		
File: h_bridge.sch		
Sheet: /H-Bridge/		
Title: ECU / Open Hardware		
Size: A4	Date: 24 feb 2014	Rev: 0.1
KiCad E.D.A.		Id: 10/10