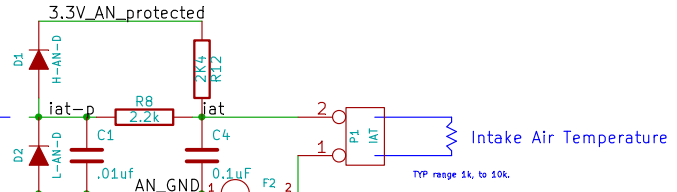
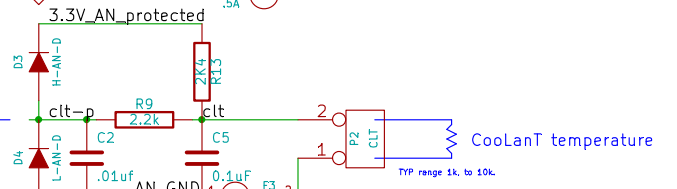


STM DISCOVERY F4 dev board

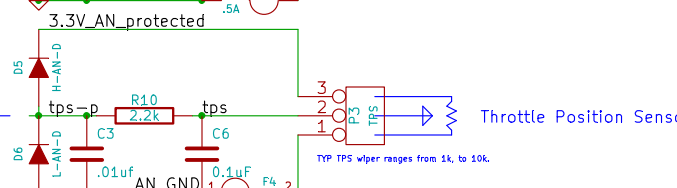
???



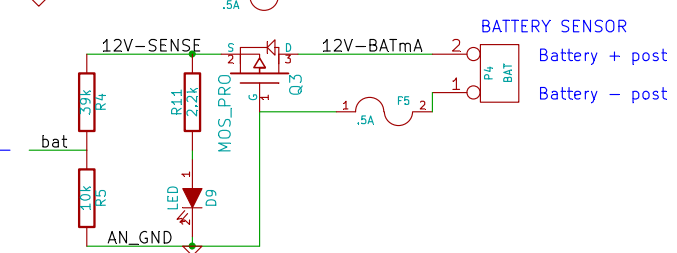
???



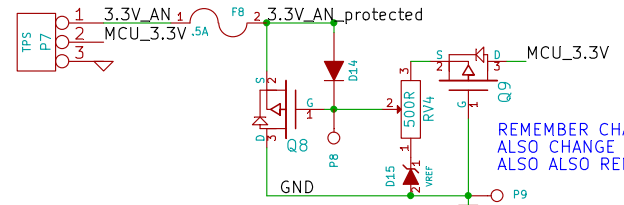
???



???

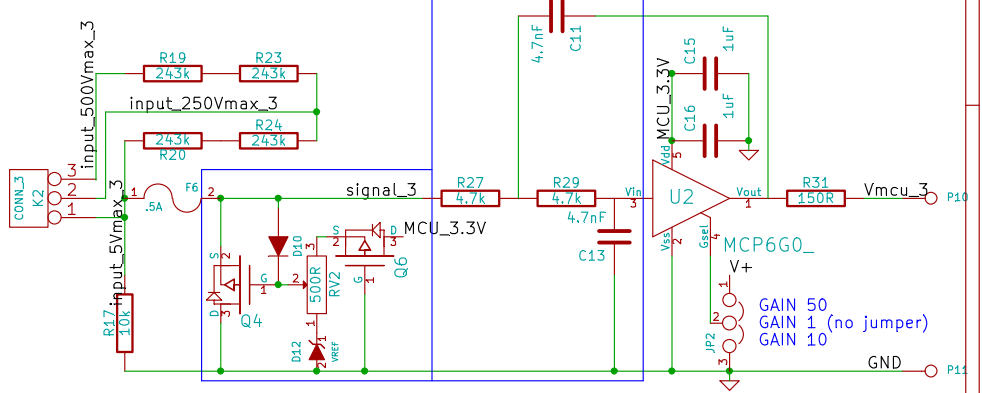


5V clamp, max 5.3V when dumping ?? mA

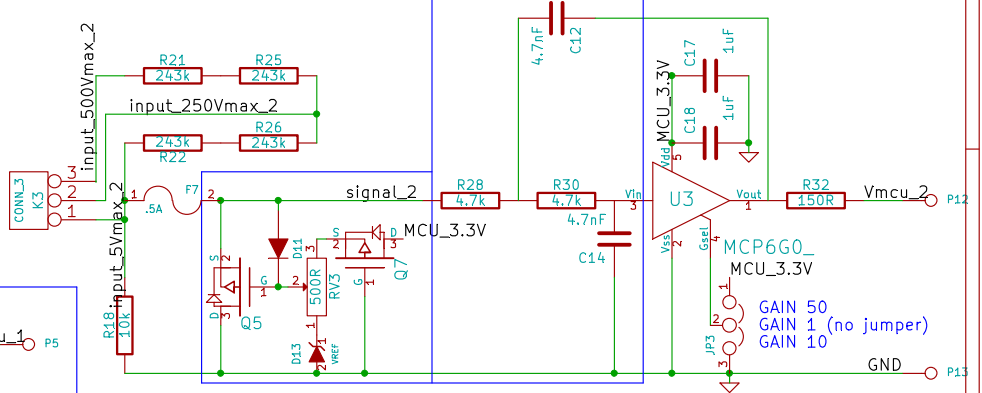


Passed up to 5V shunts to GND to keep under 5.3V max.
adjust P1, for ?? volts which will limit the protection to 5.3V

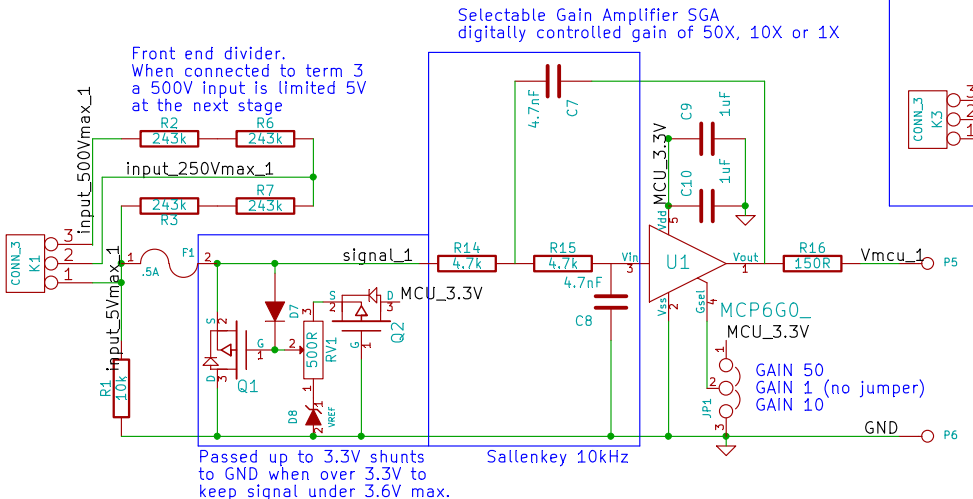
FLEX ANALOG INPUT 3



FLEX ANALOG INPUT 2



FLEX ANALOG INPUT 1



analog interface for rusefi

<http://rusefi.com>

File: analog_module.sch

Sheet: /

Title: rusefi analog module

Size: A Date: 3 jan 2014

KiCad E.D.A. eeschema (2013-07-07 BZR 4022)-stable

Rev: A-1

Id: 1/1