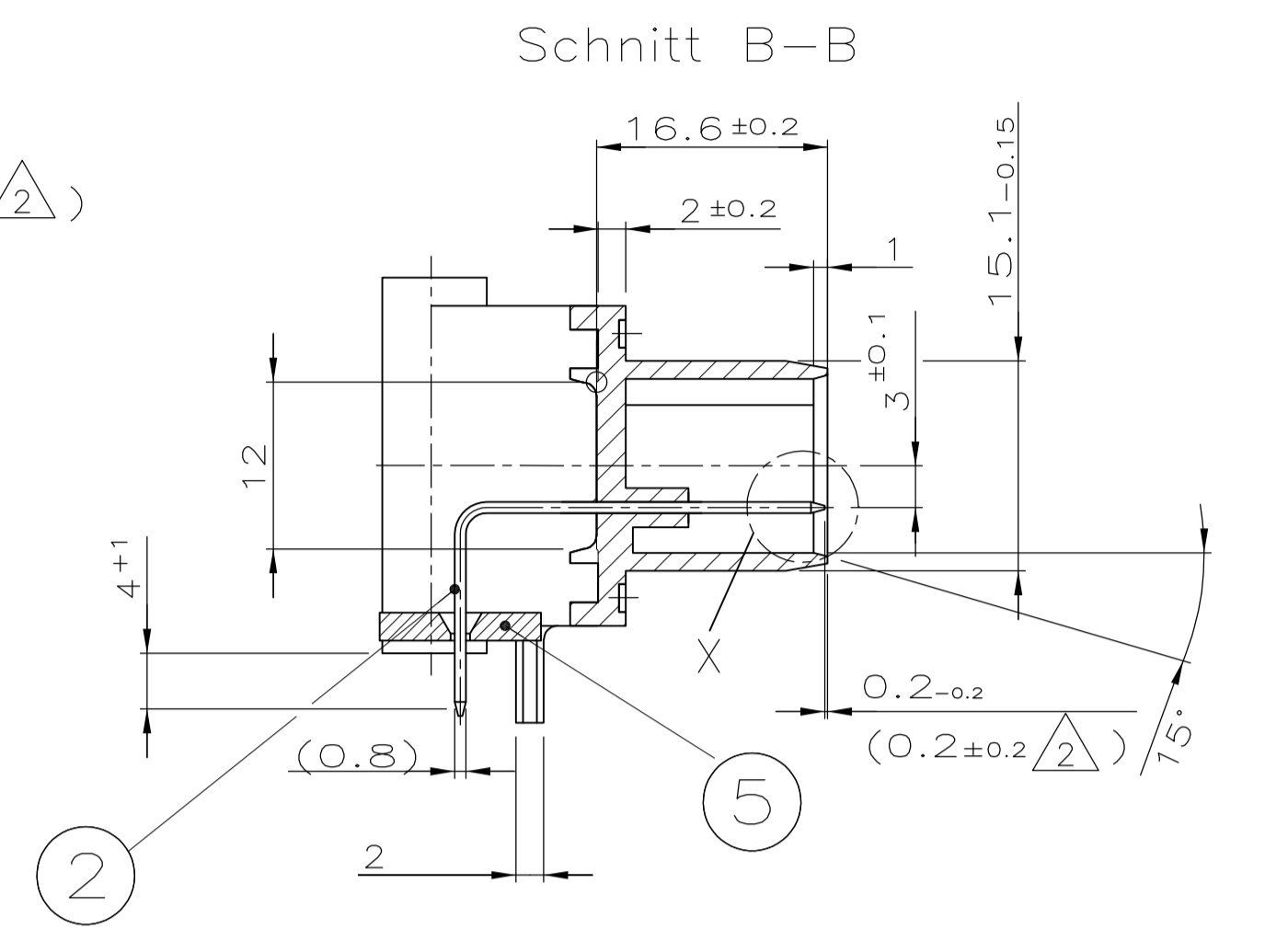
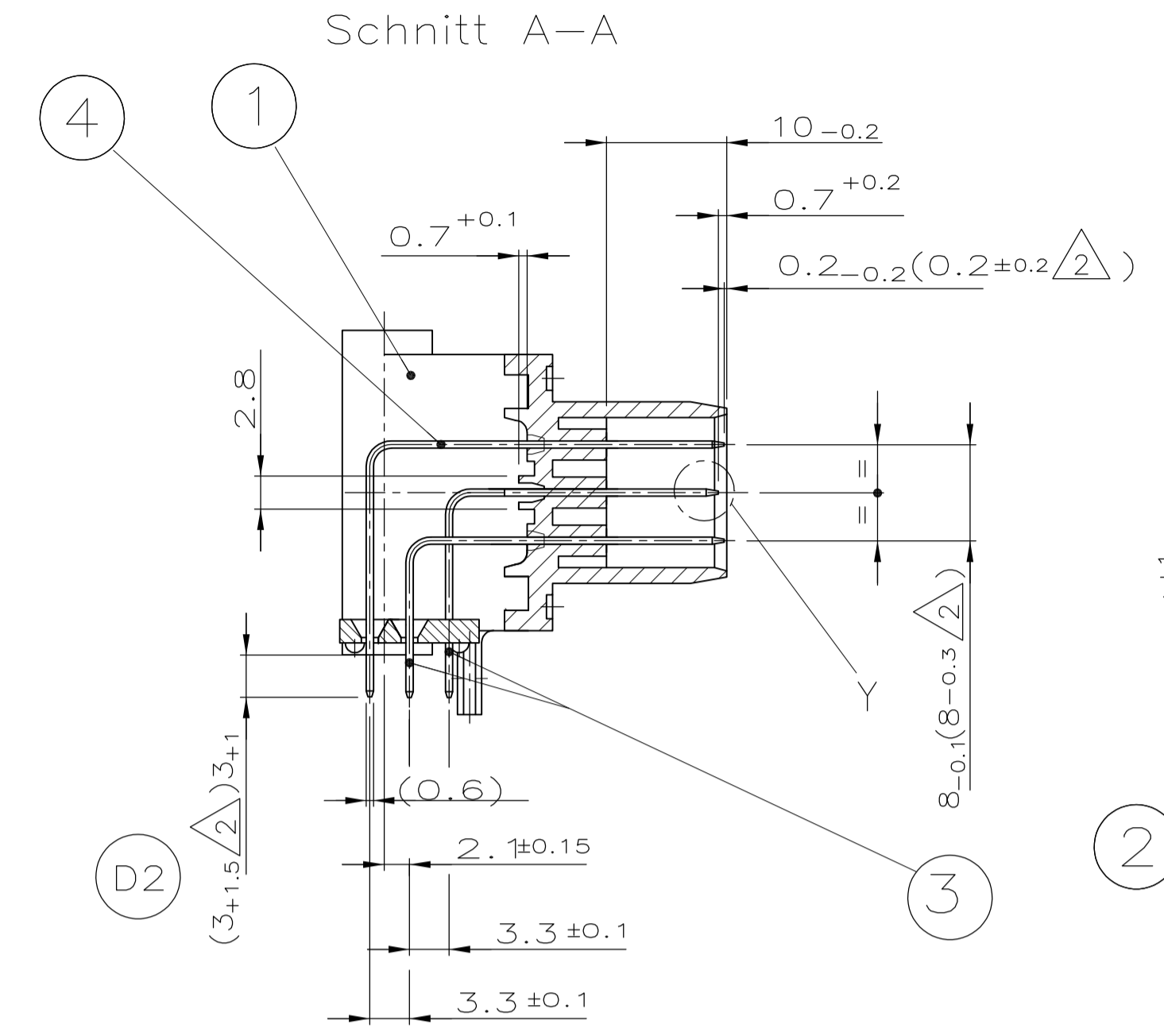
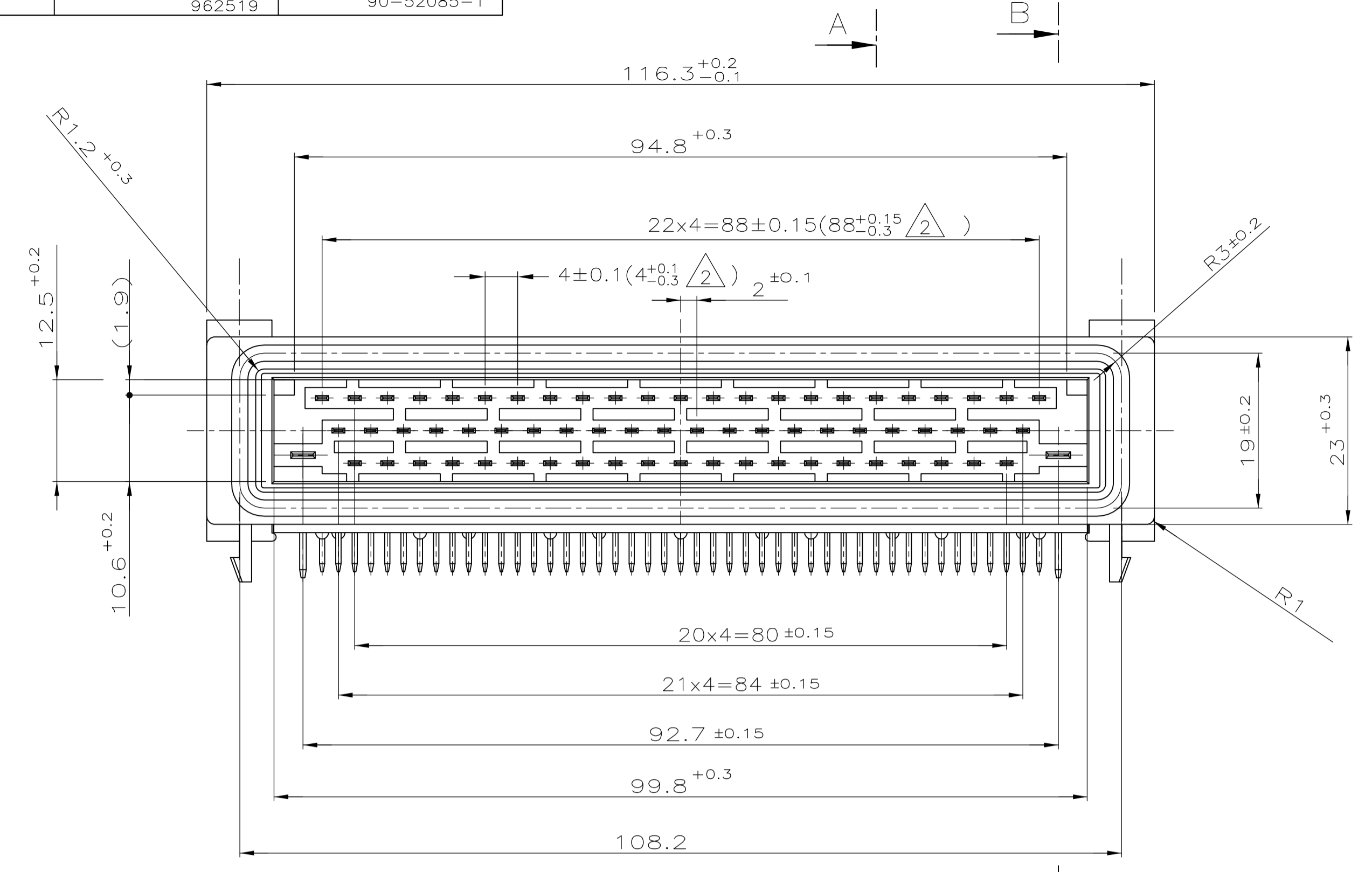
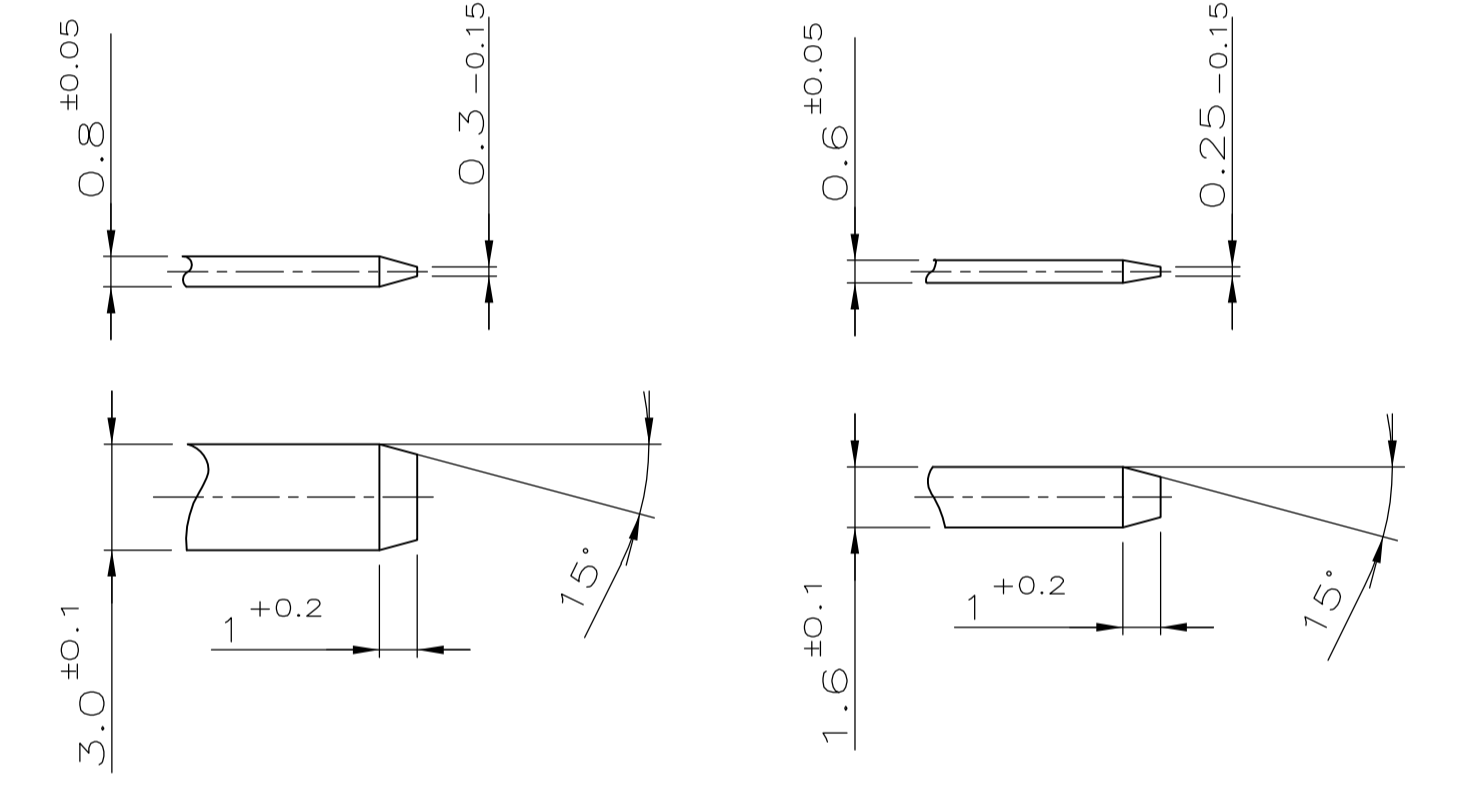


LOC		DIST		REVISIONS			
F	LTR	DESCRIPTION	DATE	DW	APVD		
D		Bemerkung 2 und 3 entfernt. Zeichnungs-Nr. geändert	28.09.95	Alondu			
D1		TOLERANCES ADJUSTED FOR EXISTING TOOL	22MAY12	KK	GP		
D2		TOLERANCES ADJUSTED FOR EXISTING TOOL	15JUN12	KK	GP		

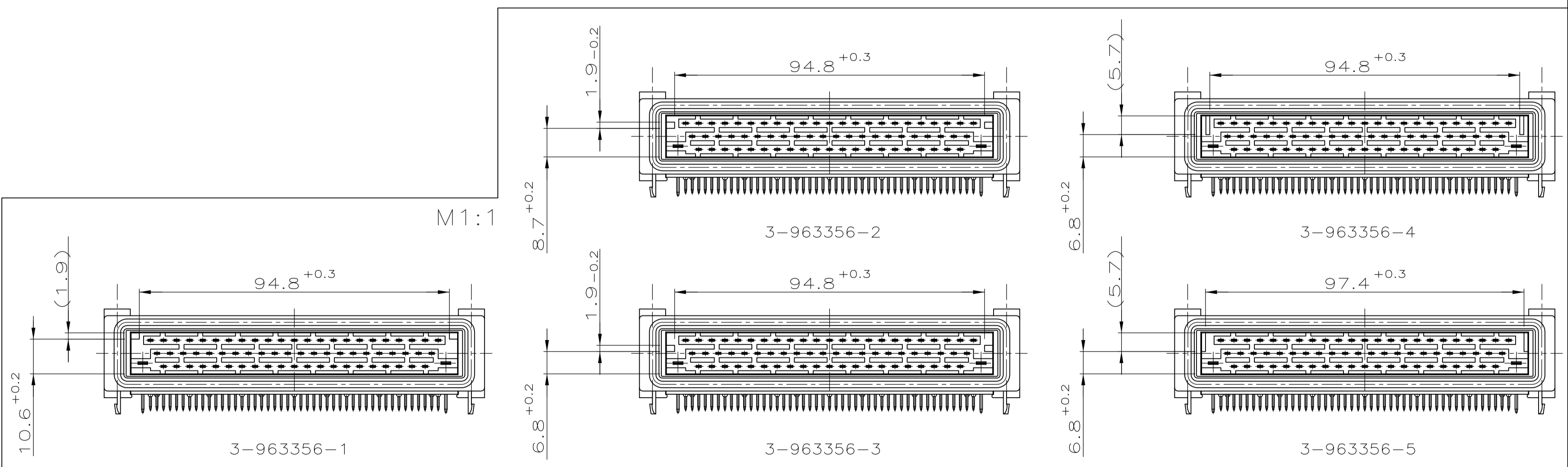
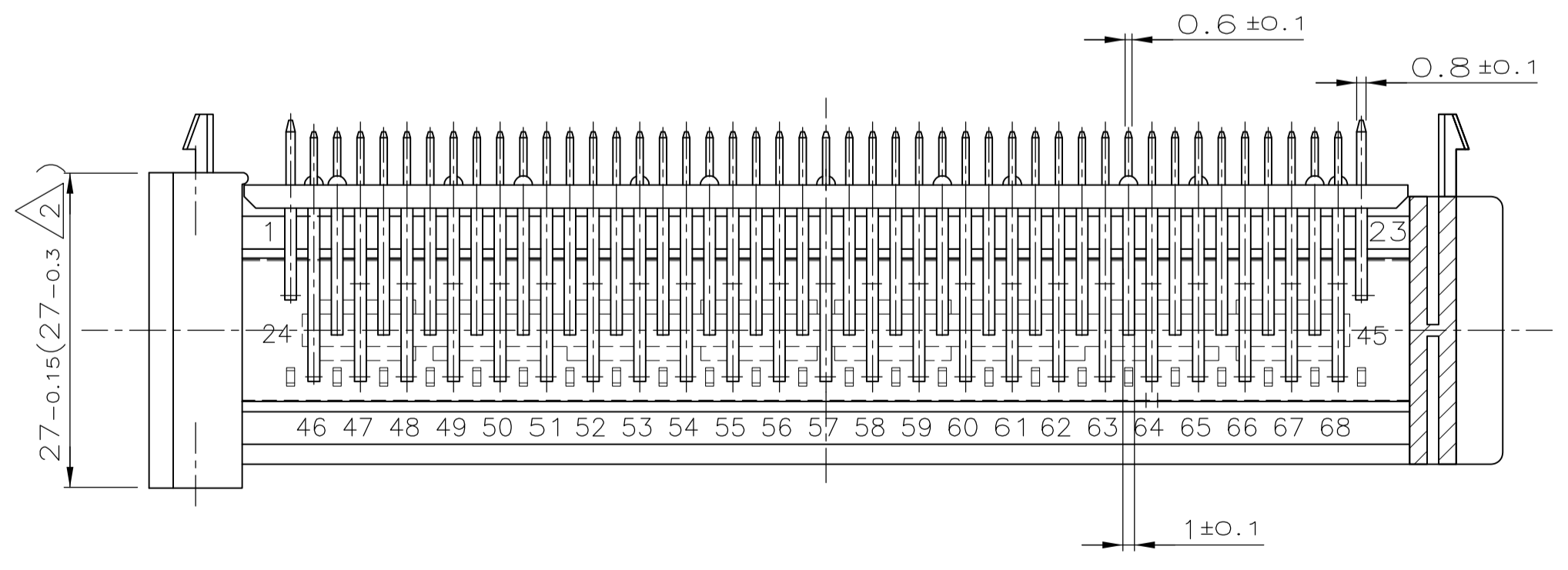
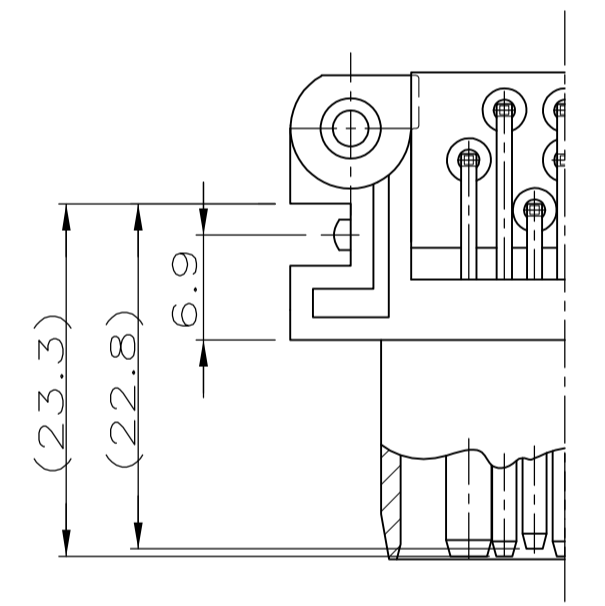
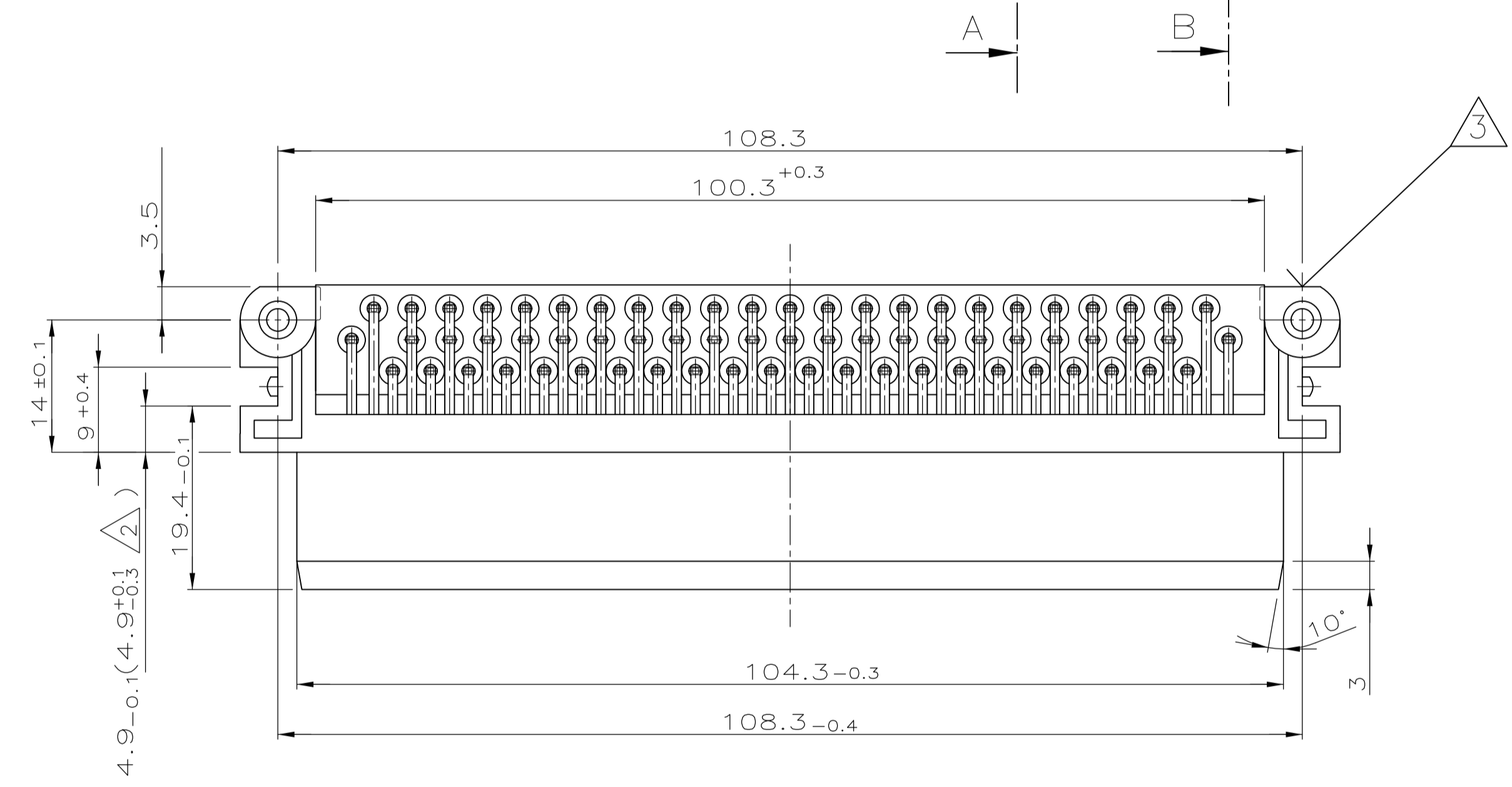


Einzelheit "X" M 5:1

Einzelheit "Y" M 5:1



Zeichnung fuer VW, Bosch, KEN



**Bemerkung:**  
**NOTES:**  
 1. CONTACT AREA 1-3µm HOT DIPPED (BLANK CUTTING EDGES)  
 SOLDERING AREA 6-10µm Sn  
 2. DIMENSIONS AND TOLERANCES ONLY  
 VALID FOR TOOL 30-0238765  
 21-0050258

STÜCK	STÜCK	STÜCK	STÜCK	STÜCK	POS.	BENENNUNG EINZELTEIL	WERKSTOFF	OBERFLÄCHE	FARBE
1	1	1	1	1	1	Zentrierleiste	PA 6.6 GV15	schwarz	
23	23	23	23	23	4	Messer (1.6mm; 49.8 lang)	CuSn6F41 ww. CuSn4		
43	43	43	43	43	3	Messer (1.6mm; 38.5 lang)	CuSn6F41 ww. CuSn4		
2	2	2	2	2	2	Messer (3.0mm; 40.6 lang)	CuSn6F41 ww. CuSn4		
1	1	1	1	1	1	Messerleiste	PA 6.6 GV30	schwarz	
3-963356-5	3-963356-4	3-963356-3	3-963356-2	3-963356-1	BEST.NR.				

THIS DRAWING IS A CONTROLLED DOCUMENT.

DIMENSIONS: mm

TOLERANCES UNLESS OTHERWISE SPECIFIED:

0 PLC	±	-
1 PLC	±	0.3
2 PLC	±	0.2
3 PLC	±	0.1
4 PLC	±	0.05
ANGLES	±	'

MATERIAL: SEE TABLE

FINISH: -

WEIGHT: -

CUSTOMER DRAWING

SCALE: 2:1

SHEET 1 of 2

REV D2

ZEICHNUNG GÜLTIG AB XX/YY.

DIN 11 LÖWER 18.6.90

CIK LINIX 18.6.90

APVD

PRODUCT SPEC

APPLICATION SPEC

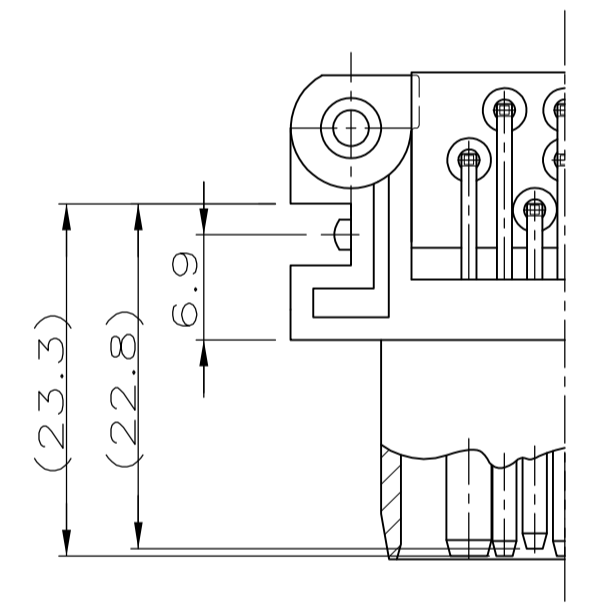
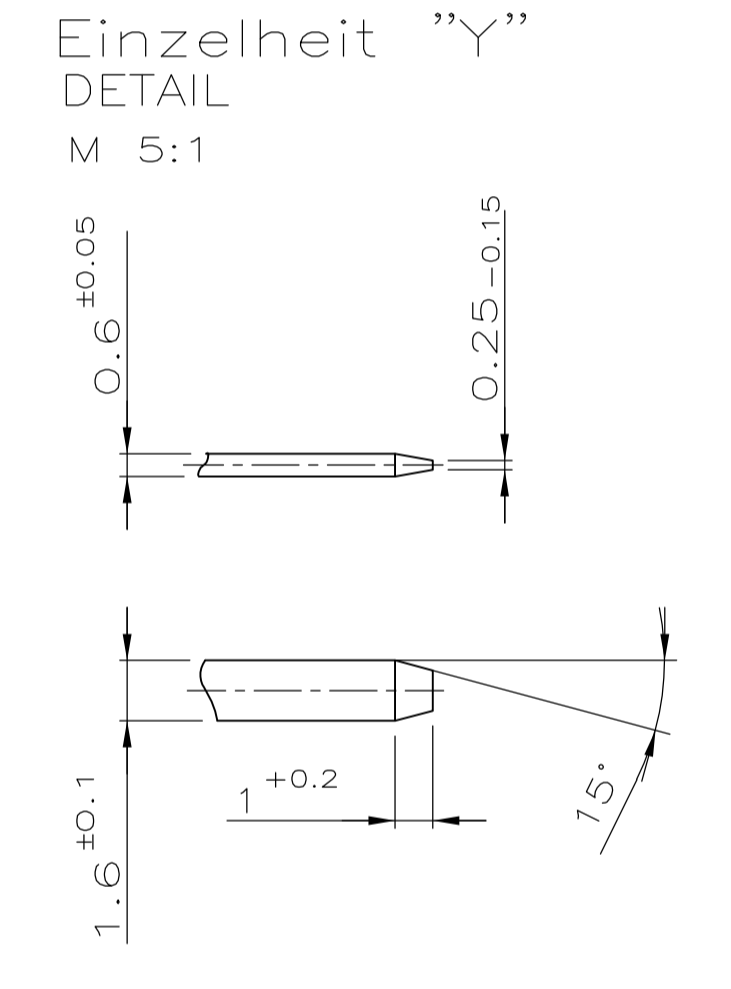
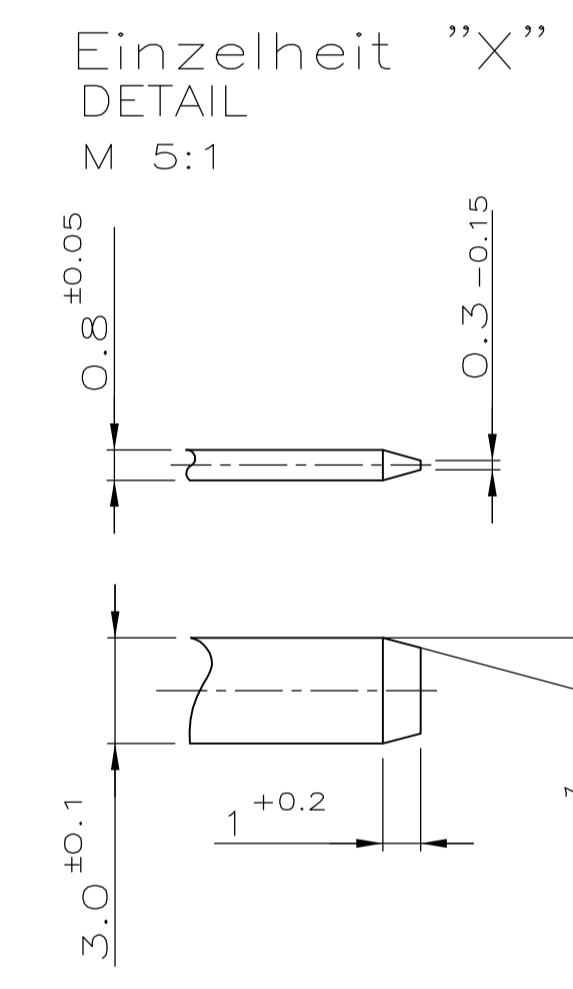
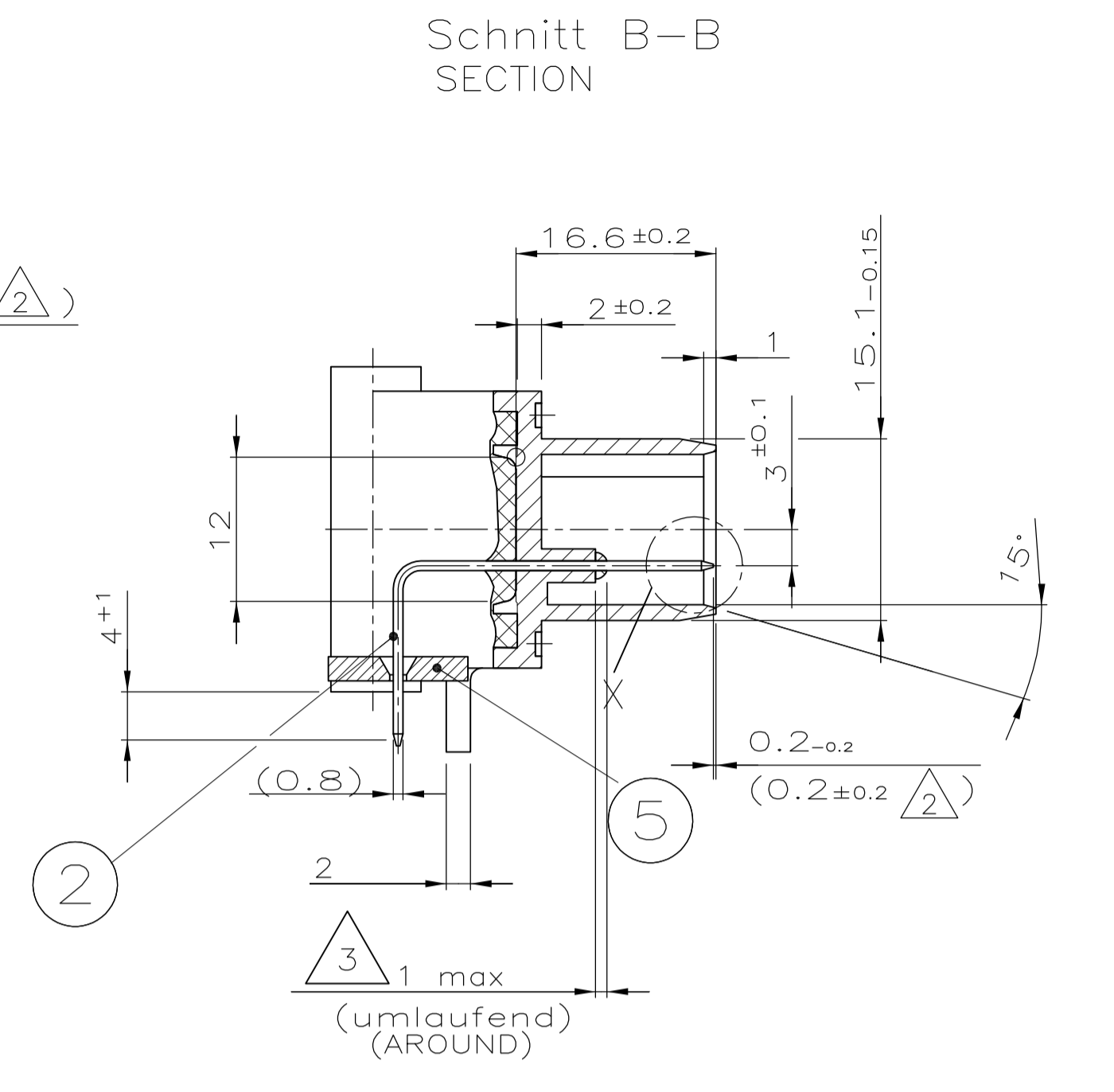
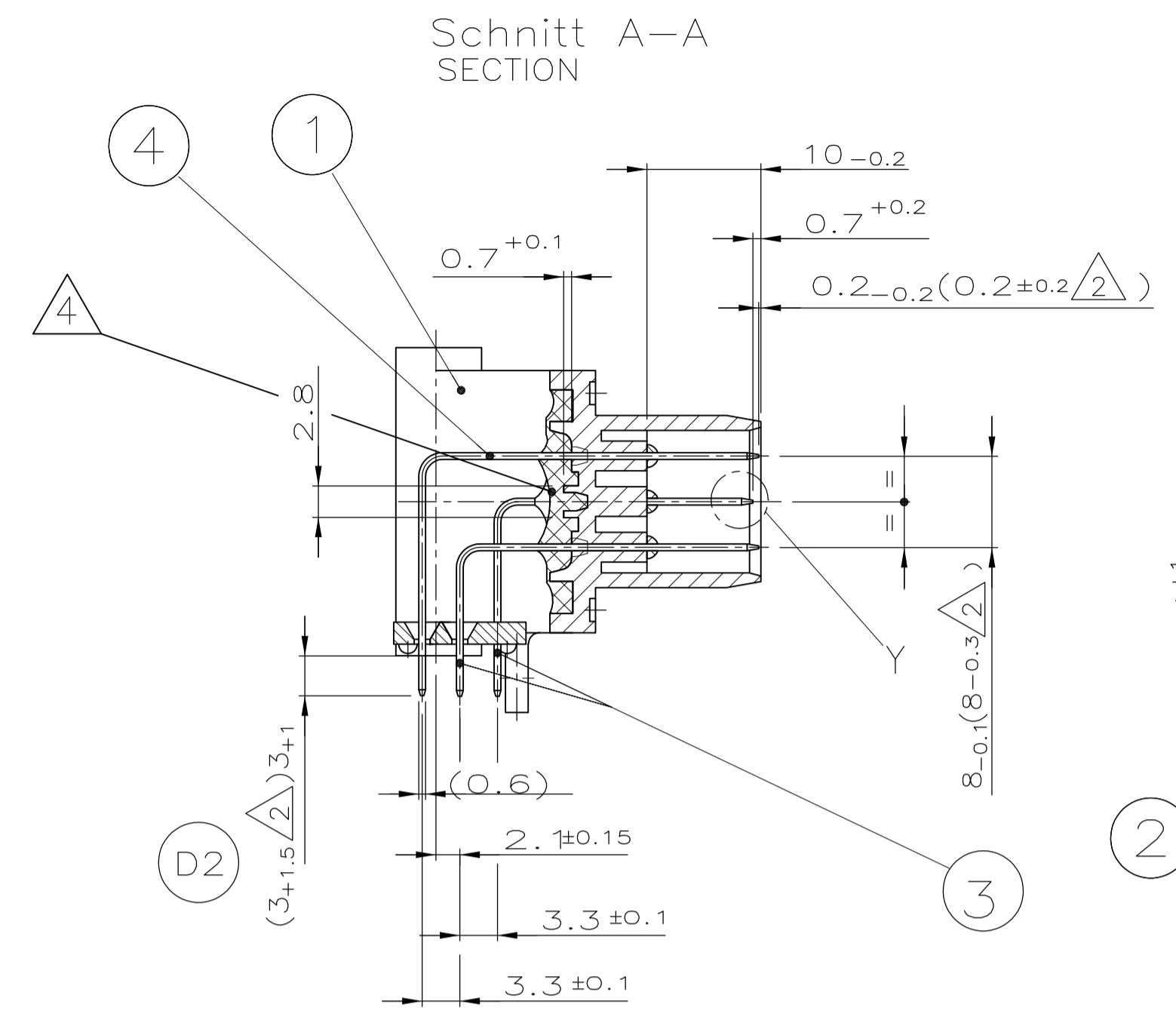
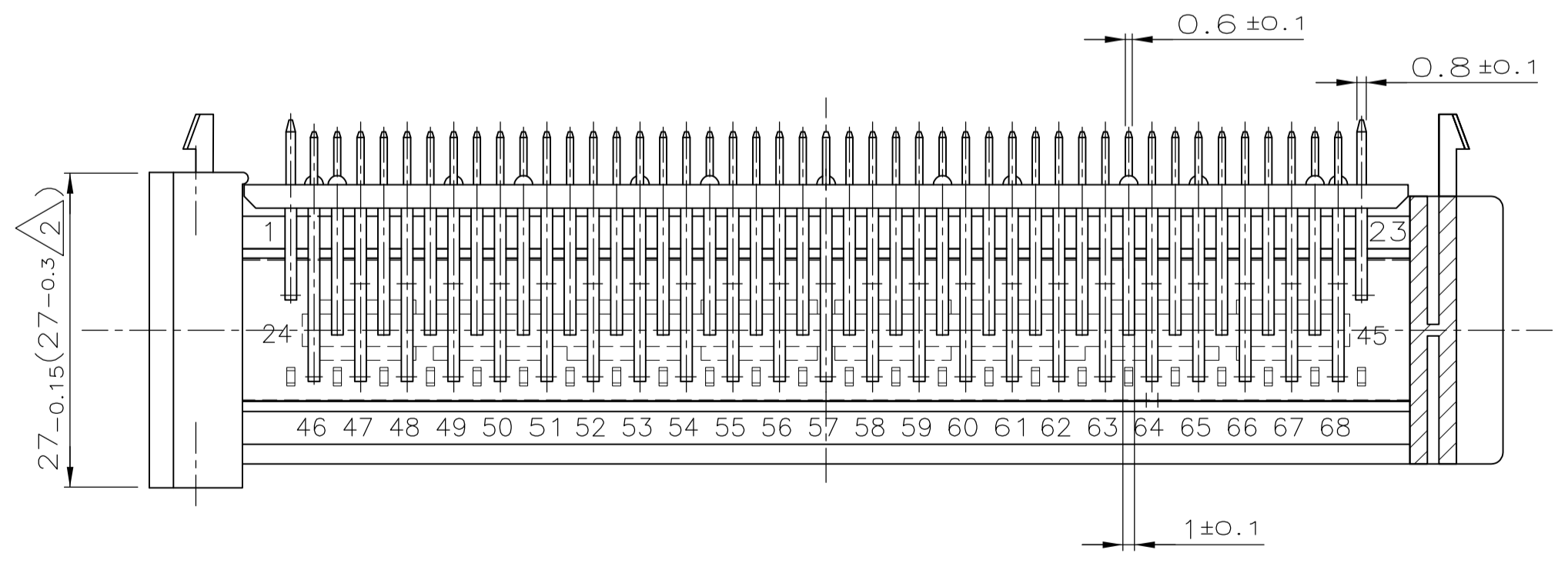
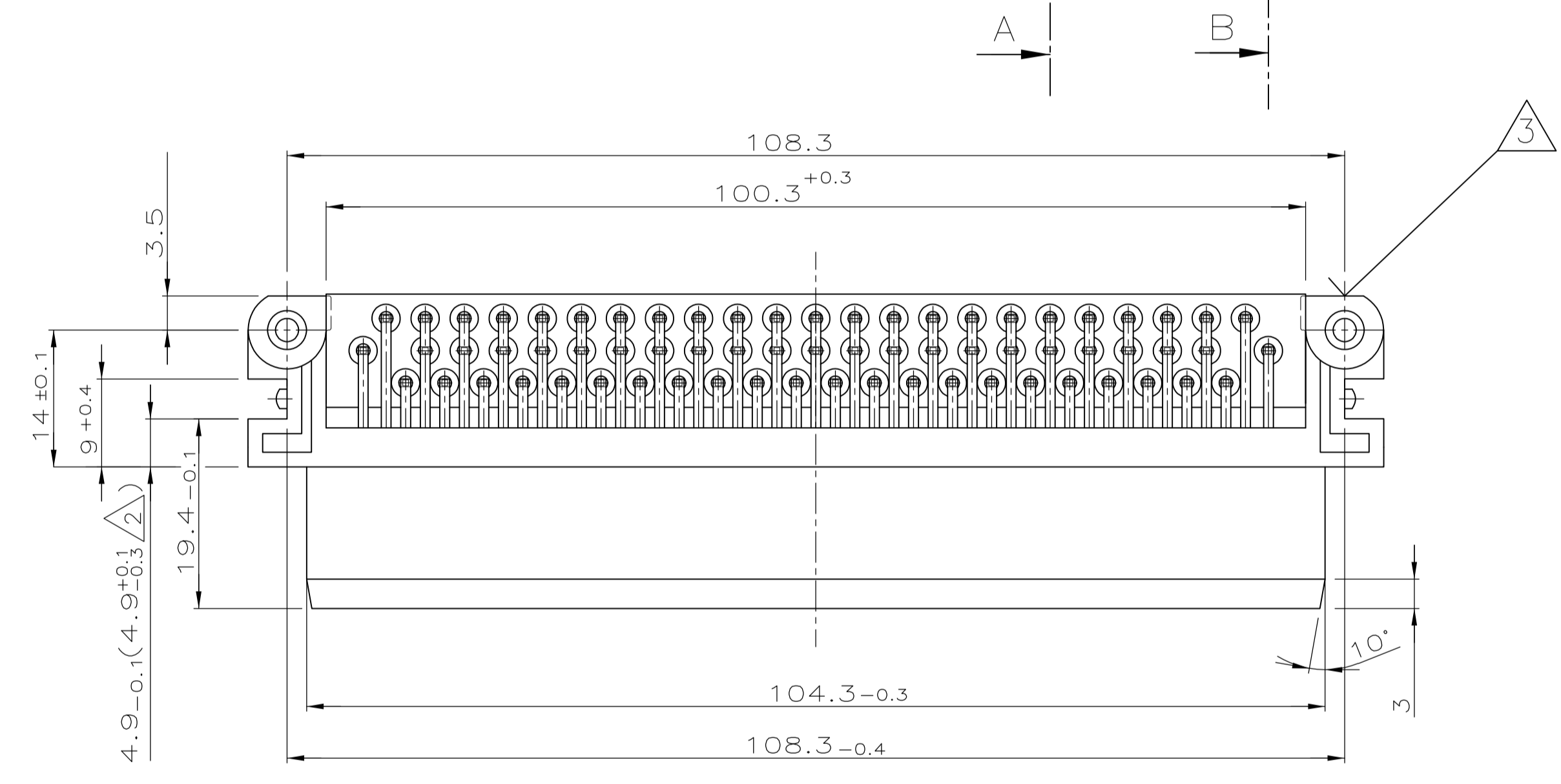
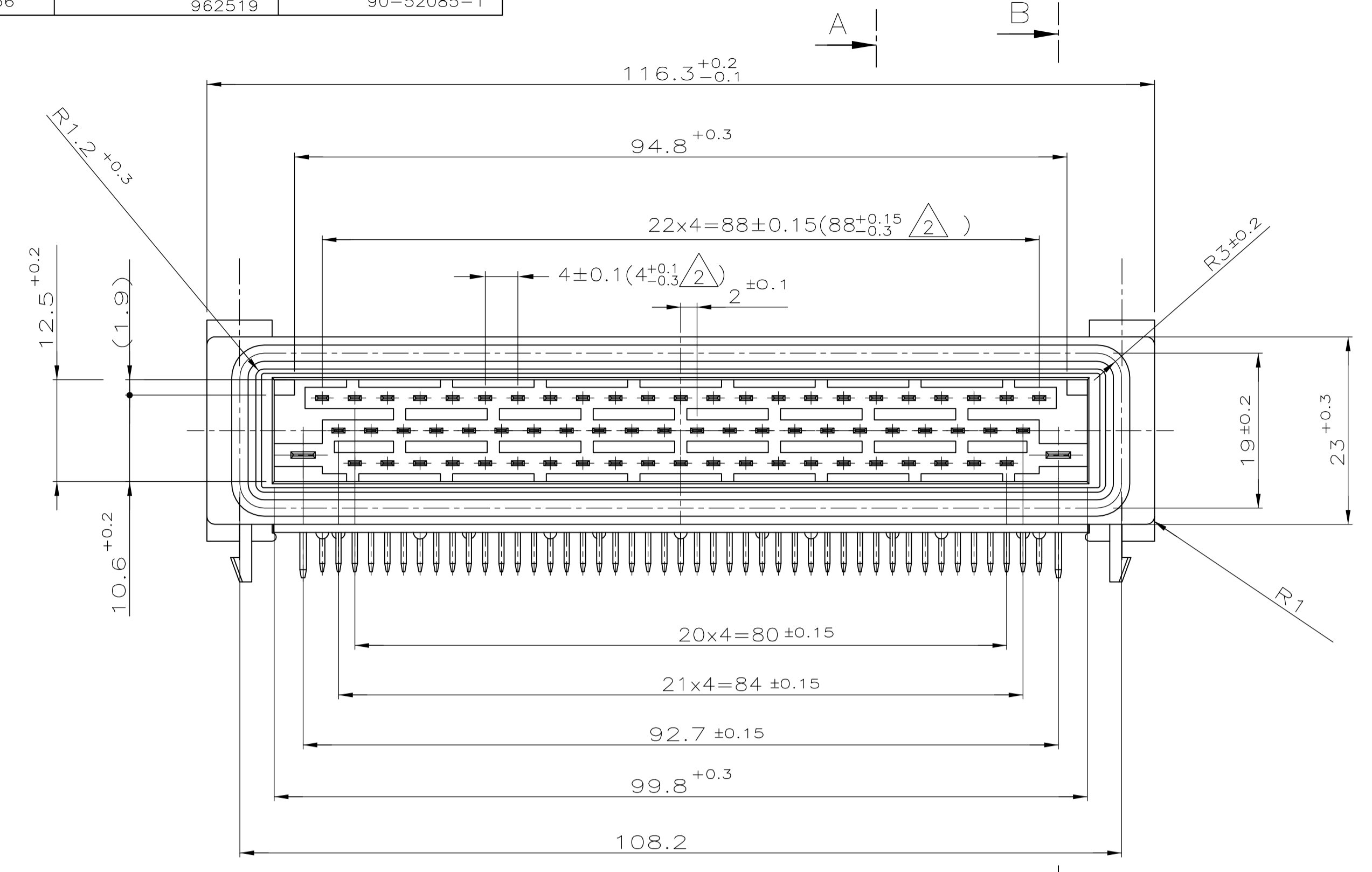
RESTRICTED TO

NAME: 68POL. MESSERLEISTE (2x3mm + 66x1.6mm Messer)

SIZE: A1

CAGE CODE: 00779

DRAWING NO: 963356



Muß verwendet werden mit:  
 MUST TO BE USED WITH:  
 Verriegelungsbügel - Bestell-Nr. 1-962519-1  
 LOCKING CLIP - Bestell-Nr. 1-962519-1  
 68pol.Flachkontaktgehäuse - Bestell-Nr. 963598-1  
 68POS.HOUSING - ORDER NO. 963598-1  
 Abdeckkappe - Bestell-Nr. 965053-1  
 COVER - ORDER NO. 965053-1

- NOTES:**
- CONTACT AREA 1-3µm HOT DIPPED (BLANK CUTTING EDGES)  
 SOLDERING AREA 6-10µm Sn
  - DIMENSIONS AND TOLERANCES ONLY  
 VALID FOR TOOL 30-0238765  
 21-0050258
  - MAXIMUM ALLOWED GLUE COMING THROUGH THE CONTACT  
 CAVITY TO THE INTERFACE SIDE
  - FILLED WITH GLUE LOCTITE TYPE 363 UV

3-963356-1	D	1	5	Zentrierleiste	PA 6.6 GF15	schwarz	THIS DRAWING IS A CONTROLLED DOCUMENT. DIMENSIONS: mm TOLERANCES UNLESS OTHERWISE SPECIFIED: 0 PLC ± - 1 PLC ± ± 2 PLC ± ± 0.3 3 PLC ± ± 4 PLC ± ± ANGLES ± °	DIN B Honigmann 16SEP96 GIK L Post 16SEP96 APVD	ZEICHNUNG GÜLTIG AB XX/YY.	
		23	4	Messer (1.6mm; 49.8 lang)	CuSn6F41 ww. CuSn4				TE Connectivity NAME 68POL. MESSERLEISTE (2x3mm + 66x1.6mm Messer) 68POS. TAB HOUSING (2x3mm + 66x1.6mm TABS)	
		43	3	Messer (1.6mm; 38.5 lang)	CuSn6F41 ww. CuSn4				PRODUCT SPEC	
		2	2	Messer (3.0mm; 40.6 lang)	CuSn6F41 ww. CuSn4				APPLICATION SPEC	
		1	1	Messerleiste	PA66-GF30	schwarz			WEIGHT	
BESTELL-NR.	REV	STÜCK	POS.	BENENNUNG EINZELTEIL	WERKSTOFF	OBERFLÄCHE FARBE	MATERIAL PA66-GF15	FINISH	CUSTOMER DRAWING	SCALE 2:1 SHEET 2 OF 2 REV D2