

Art_Electro
Art_Electro
Art_Electro

File: stm32f407_board.kicad_pcb

Sheet: 1/1

Title:

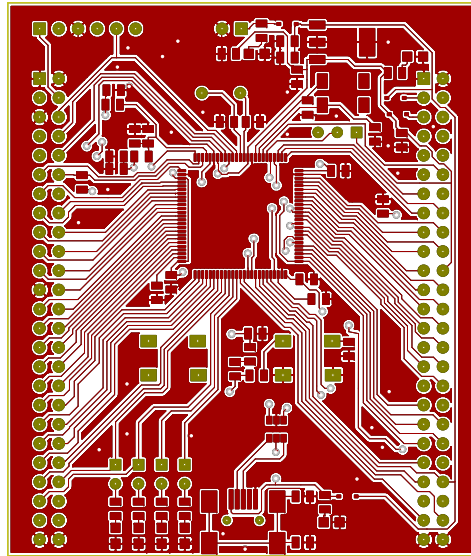
Size: A4

Date:

Rev: R0.2

KiCad E.D.A. pcbnew (2013-07-07 BZR 4022)-stable

Id: 1/1

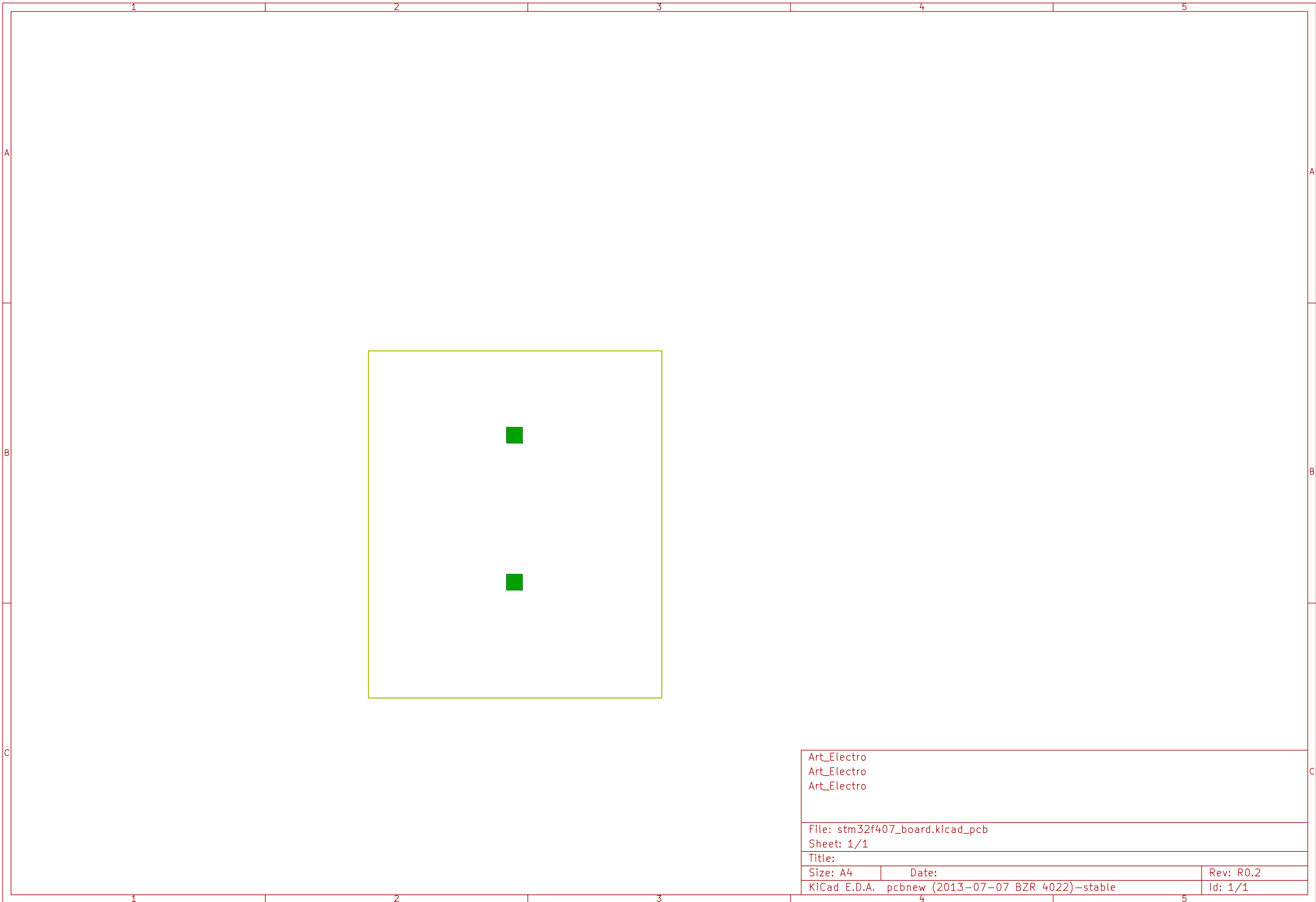


Art_Electro
Art_Electro
Art_Electro

File: stm32f407_board.kicad_pcb
Sheet: 1/1

Title:

Size: A4	Date:	Rev: R0.2
KiCad E.D.A.	pcbnew (2013-07-07 BZR 4022)-stable	Id: 1/1



Art_Electro
Art_Electro
Art_Electro

File: stm32f407_board.kicad_pcb
Sheet: 1/1

Title:

Size: A4	Date:	Rev: R0.2
KiCad E.D.A.	pcbnew (2013-07-07 BZR 4022)-stable	Id: 1/1

1

2

3

4

5

A

A

B

B

C

C

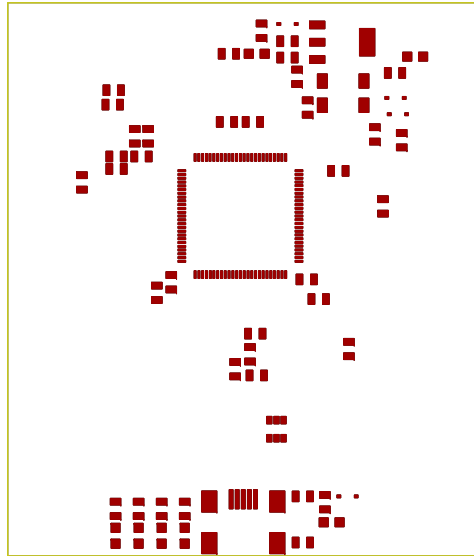
1

2

3

4

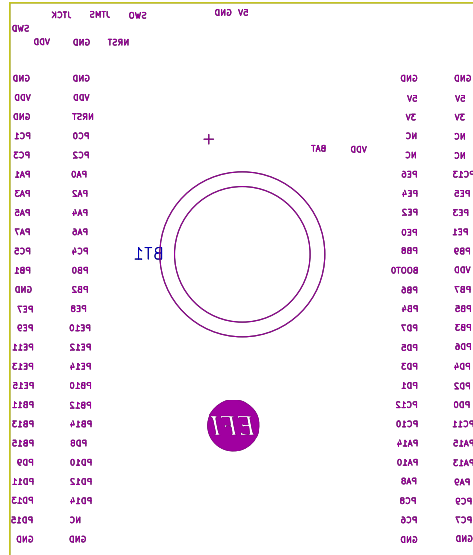
5



Art_Electro
 Art_Electro
 Art_Electro

File: stm32f407_board.kicad_pcb
 Sheet: 1/1

Title:		
Size: A4	Date:	Rev: R0.2
KiCad E.D.A.	pcbnew (2013-07-07 BZR 4022)-stable	Id: 1/1



Art_Electro
 Art_Electro
 Art_Electro

File: stm32f407_board.kicad_pcb
 Sheet: 1/1

Title:

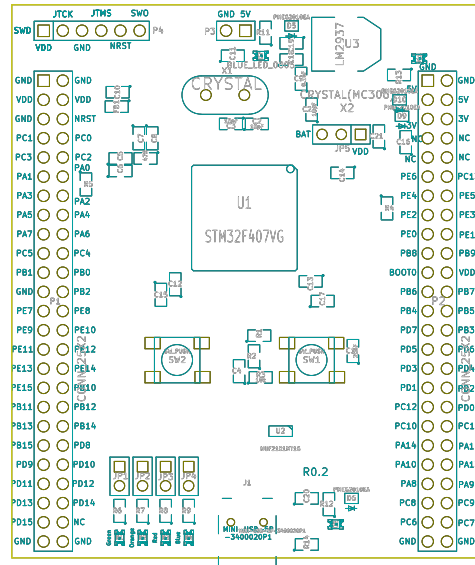
Size: A4

Date:

Rev: R0.2

KiCad E.D.A. pcbnew (2013-07-07 BZR 4022)-stable

Id: 1/1



Art_Electro
 Art_Electro
 Art_Electro

File: stm32f407_board.kicad_pcb
 Sheet: 1/1

Title:

Size: A4

Date:

Rev: R0.2

KiCad E.D.A. pcbnew (2013-07-07 BZR 4022)-stable

Id: 1/1

