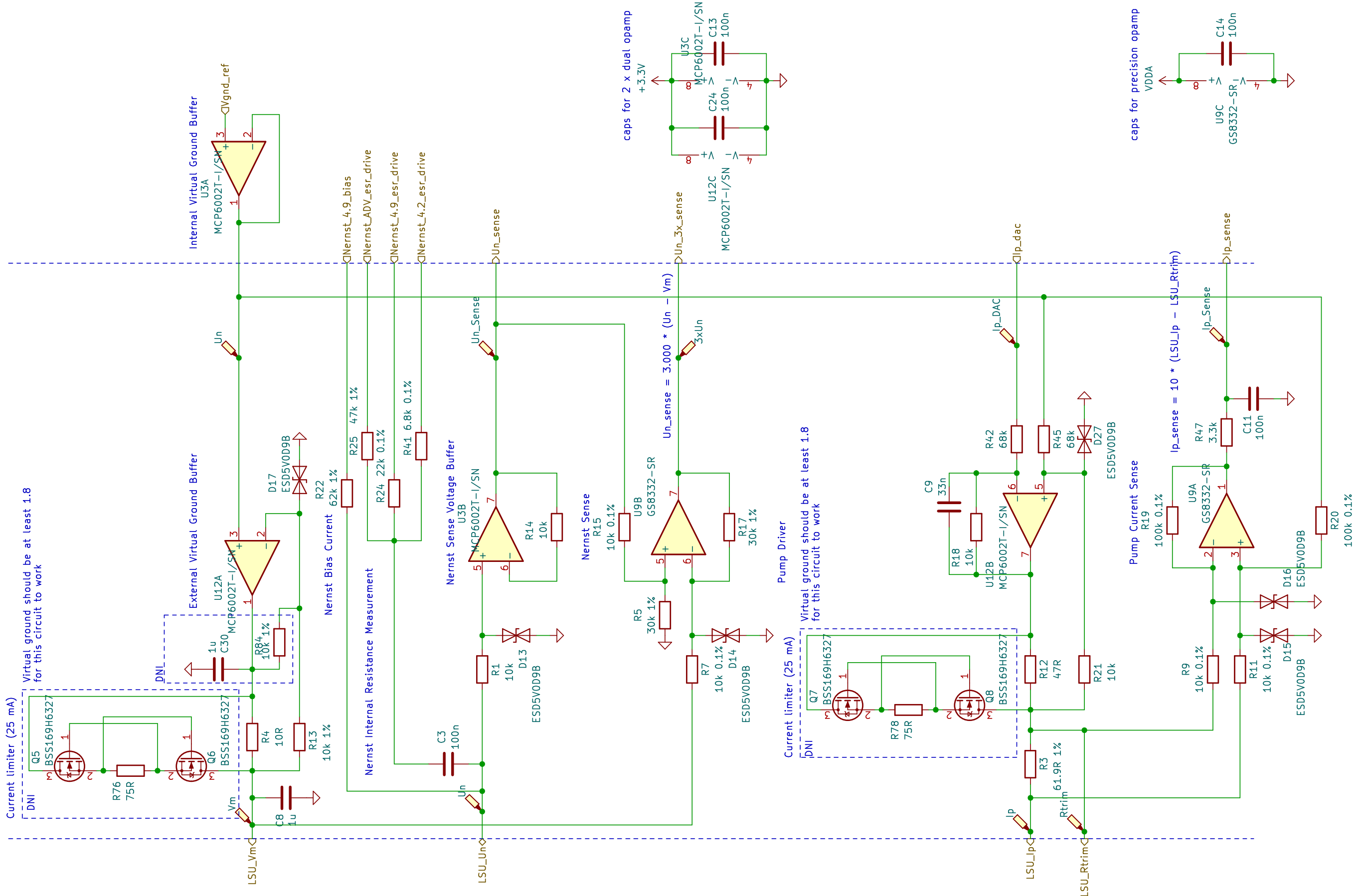


33311-24HW-2

A1	LLSU_Heater	white
A2	LLSU_In	black
A3	LLSU_In	black
A4	AUX	red
A5	R_AUX	black
A6	R_AUX	black
A7	R_AUX	black
A8	R_AUX	black
B1	LLSU_Heater	white
B2	LLSU_In	green
B3	LLSU_In	yellow
B4	LLSU_In	yellow
B5	LLSU_In	yellow
B6	LLSU_In	yellow
B7	LLSU_In	yellow
B8	LLSU_In	yellow
B9	LLSU_In	yellow
B10	LLSU_In	yellow
B11	LLSU_In	yellow
B12	LLSU_In	yellow
C1	LLSU_In	yellow
C2	LLSU_In	yellow
C3	LLSU_In	yellow
C4	LLSU_In	yellow
C5	LLSU_In	yellow
C6	LLSU_In	yellow
C7	LLSU_In	yellow
C8	LLSU_In	yellow
C9	LLSU_In	yellow
C10	LLSU_In	yellow
C11	LLSU_In	yellow
C12	LLSU_In	yellow
C13	LLSU_In	yellow
C14	LLSU_In	yellow
C15	LLSU_In	yellow
C16	LLSU_In	yellow
C17	LLSU_In	yellow
C18	LLSU_In	yellow
C19	LLSU_In	yellow
C20	LLSU_In	yellow
C21	LLSU_In	yellow
C22	LLSU_In	yellow
C23	LLSU_In	yellow
C24	LLSU_In	yellow
C25	LLSU_In	yellow
C26	LLSU_In	yellow
C27	LLSU_In	yellow
C28	LLSU_In	yellow
C29	LLSU_In	yellow
C30	LLSU_In	yellow
C31	LLSU_In	yellow
C32	LLSU_In	yellow
C33	LLSU_In	yellow
C34	LLSU_In	yellow
C35	LLSU_In	yellow
C36	LLSU_In	yellow
C37	LLSU_In	yellow
C38	LLSU_In	yellow
C39	LLSU_In	yellow
C40	LLSU_In	yellow
C41	LLSU_In	yellow
C42	LLSU_In	yellow
C43	LLSU_In	yellow
C44	LLSU_In	yellow
C45	LLSU_In	yellow
C46	LLSU_In	yellow
C47	LLSU_In	yellow
C48	LLSU_In	yellow
C49	LLSU_In	yellow
C50	LLSU_In	yellow
C51	LLSU_In	yellow
C52	LLSU_In	yellow
C53	LLSU_In	yellow
C54	LLSU_In	yellow
C55	LLSU_In	yellow
C56	LLSU_In	yellow
C57	LLSU_In	yellow
C58	LLSU_In	yellow
C59	LLSU_In	yellow
C60	LLSU_In	yellow
C61	LLSU_In	yellow
C62	LLSU_In	yellow
C63	LLSU_In	yellow
C64	LLSU_In	yellow
C65	LLSU_In	yellow
C66	LLSU_In	yellow
C67	LLSU_In	yellow
C68	LLSU_In	yellow
C69	LLSU_In	yellow
C70	LLSU_In	yellow
C71	LLSU_In	yellow
C72	LLSU_In	yellow
C73	LLSU_In	yellow
C74	LLSU_In	yellow
C75	LLSU_In	yellow
C76	LLSU_In	yellow
C77	LLSU_In	yellow
C78	LLSU_In	yellow
C79	LLSU_In	yellow
C80	LLSU_In	yellow
C81	LLSU_In	yellow
C82	LLSU_In	yellow
C83	LLSU_In	yellow
C84	LLSU_In	yellow
C85	LLSU_In	yellow
C86	LLSU_In	yellow
C87	LLSU_In	yellow
C88	LLSU_In	yellow
C89	LLSU_In	yellow
C90	LLSU_In	yellow
C91	LLSU_In	yellow
C92	LLSU_In	yellow
C93	LLSU_In	yellow
C94	LLSU_In	yellow
C95	LLSU_In	yellow
C96	LLSU_In	yellow
C97	LLSU_In	yellow
C98	LLSU_In	yellow
C99	LLSU_In	yellow
C100	LLSU_In	yellow

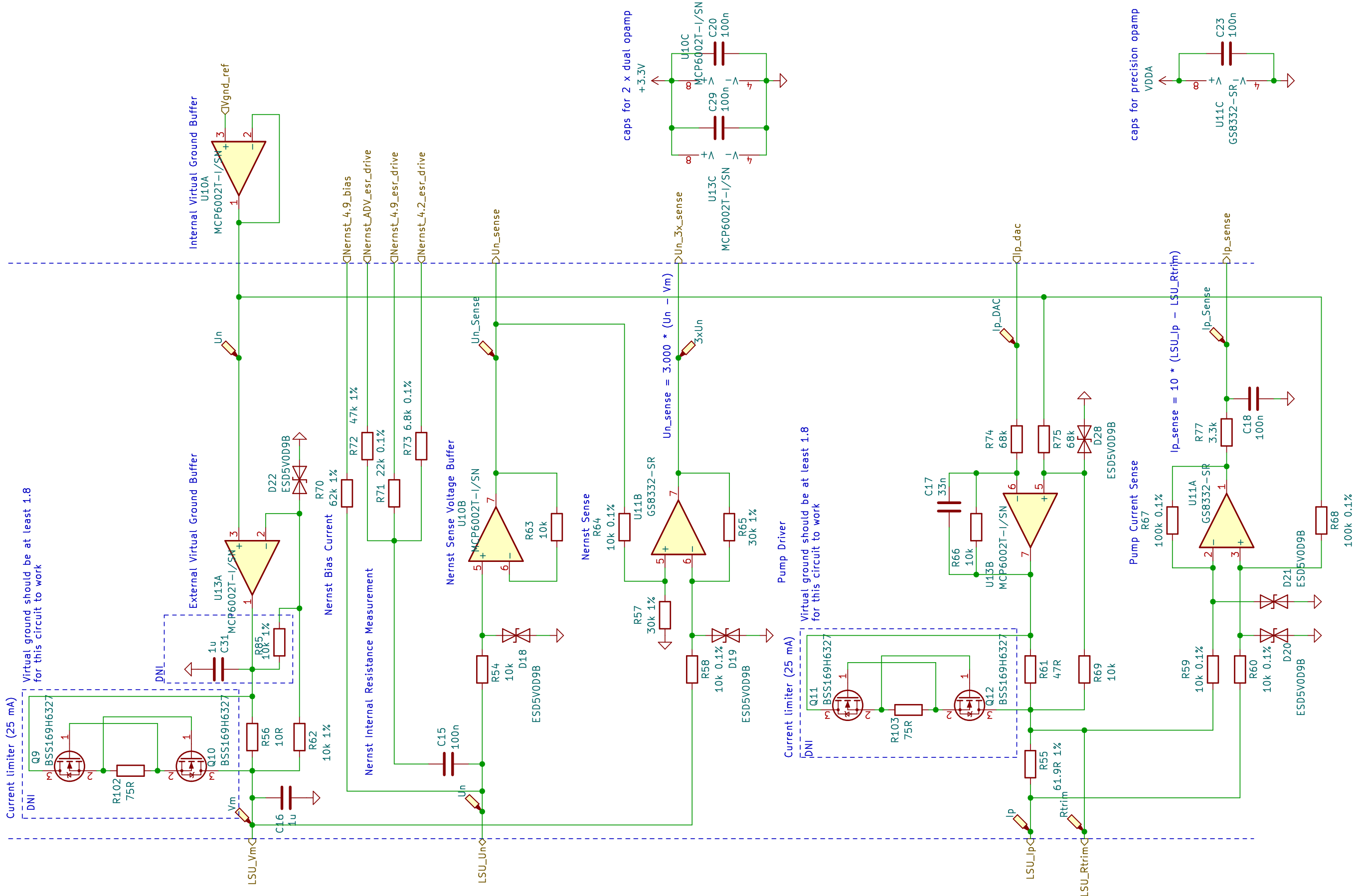


Sheet: /LSU analog left/  
File: lsu.kicad\_sch

**Title:**  
Size: A3

Date:  
Kicad E.D.A. kicad 6.0.4-6f826c9f35-116-ubuntu18.04.1

Rev:  
Id: 2/5



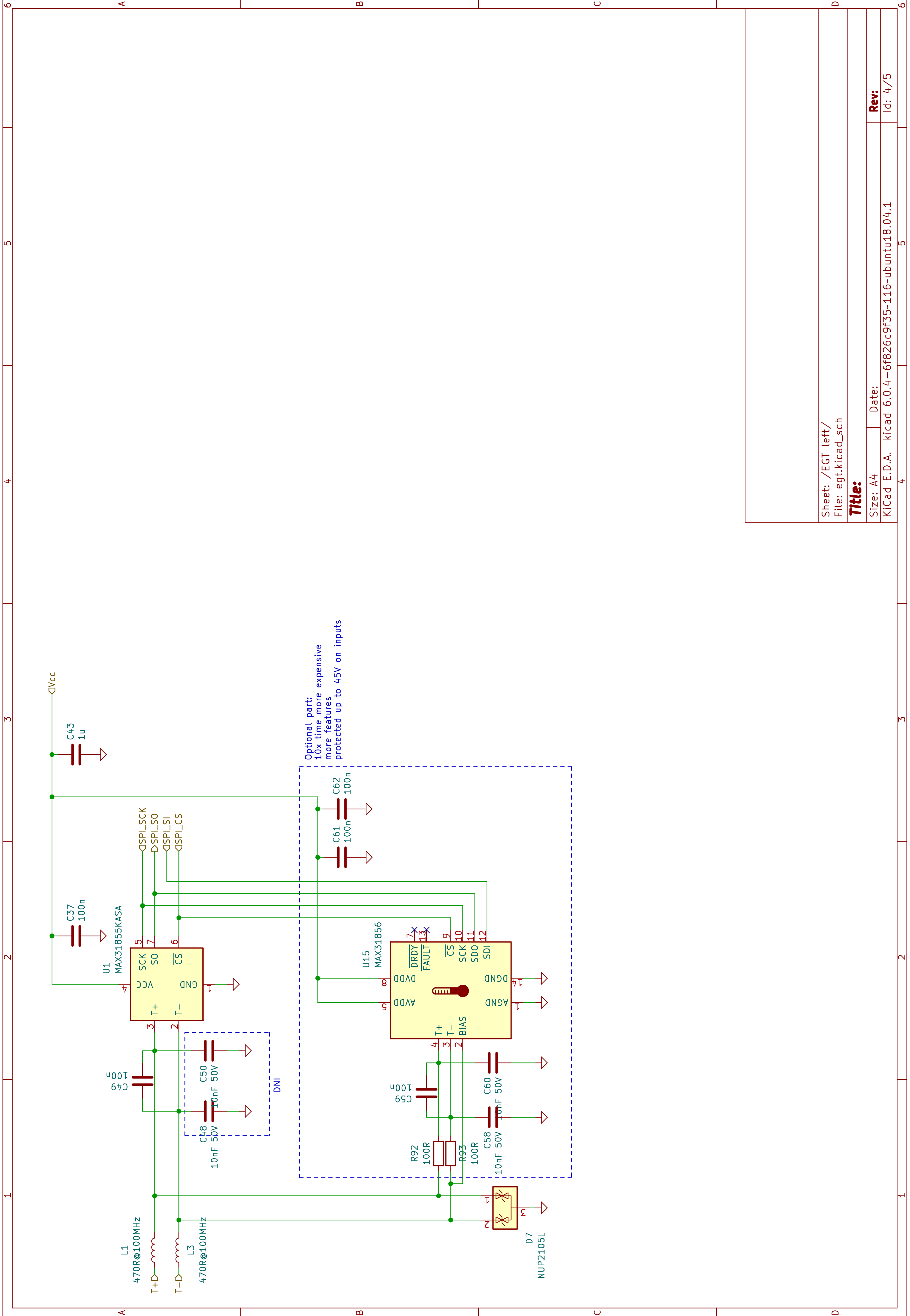
Sheet: /LSU analog right/  
File: lsu.kicad\_sch

**Title:**  
Size: A3  
Date:

KiCad E.D.A. kicad 6.0.4-6f826c9f35-116-ubuntu18.04.1  
id: 3/5

Rev:

8



Optional part:  
 10x time, more expensive  
 more features  
 protected up to 45V on inputs

Sheet: /EGT left/  
 File: egt.kicad\_sch

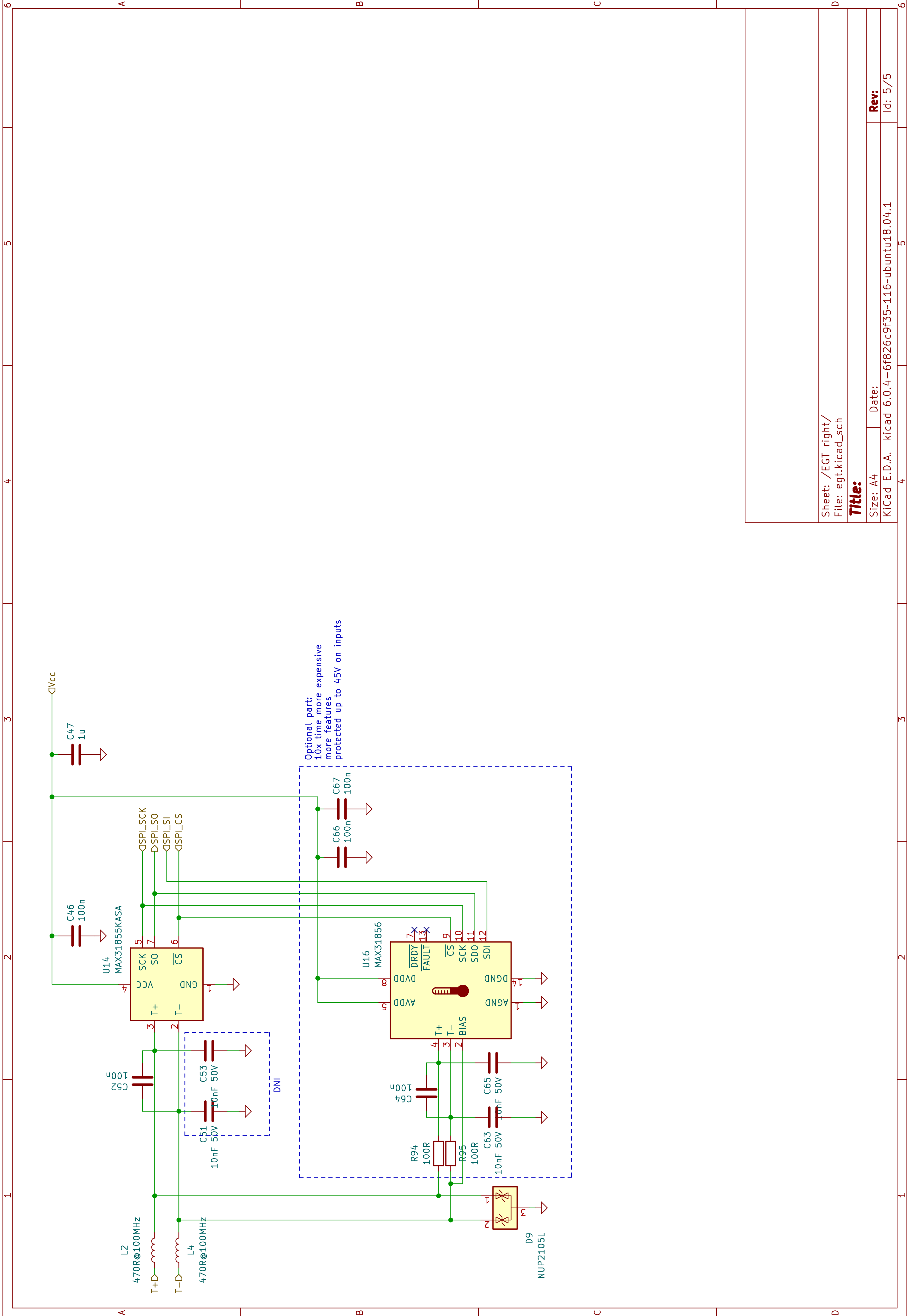
**Title:**

Size: A4 Date:

KiCad E.D.A. kicad 6.0.4-6f826c9f35-116-ubuntu18.04.1

**Rev:**

Id: 4/5



Sheet: /EGT right/  
File: egt.kicad\_sch

**Title:**

Size: A4 Date:

KiCad E.D.A. kicad 6.0.4-6f826c9f35-116-ubuntu18.04.1

**Rev:**

Id: 5/5